



US00D773374S

(12) **United States Design Patent** (10) **Patent No.:** **US D773,374 S**
Braver et al. (45) **Date of Patent:** **** Dec. 6, 2016**

(54) **BOAT CONSOLE**

(56) **References Cited**

(71) Applicants: **Skip Braver**, Miami, FL (US); **Hector Rodriguez**, Miami, FL (US); **Sidney Lanier**, Cape Coral, FL (US)

U.S. PATENT DOCUMENTS

(72) Inventors: **Skip Braver**, Miami, FL (US); **Hector Rodriguez**, Miami, FL (US); **Sidney Lanier**, Cape Coral, FL (US)

3,057,320	A	10/1962	Daniels	
3,871,043	A	3/1975	Davidson et al.	
D246,035	S *	10/1977	Rudiger	D12/304
4,425,861	A	1/1984	Raikamo	
4,469,040	A *	9/1984	Gougeon	B63H 9/10 114/104
D277,472	S	2/1985	Alter	
D290,949	S *	7/1987	Scarboro	D12/315
4,688,506	A *	8/1987	van Breems	B63H 9/10 114/104
4,729,334	A	3/1988	DeJean, Jr.	

(73) Assignee: **Cigarette Racing Team, LLC.**, Opa Locka, FL (US)

(**) Term: **14 Years**

(Continued)

(21) Appl. No.: **29/508,578**

FOREIGN PATENT DOCUMENTS

(22) Filed: **Nov. 7, 2014**

EM	1380455-0001	8/2013
JP	03227793 A	10/1991

Related U.S. Application Data

(63) Continuation-in-part of application No. 29/445,749, filed on Feb. 15, 2013, now Pat. No. Des. 717,226.

OTHER PUBLICATIONS

(51) **LOC (10) Cl.** **12-06**

<http://www.ewboats.com/company/news/186-edgewater-introduces-all-new-335-express>; EdgeWater, Downloaded Nov. 4, 2015.

(52) **U.S. Cl.**

(Continued)

USPC **D12/318**

(58) **Field of Classification Search**

USPC 114/71, 56.1, 65 R, 140, 151, 15, 121, 114/78, 82, 61.33, 356, 343, 61.3, 61.1, 114/61.2, 61.27, 271, 288, 39.25, 77 R, 274, 114/272, 362, 373, 5, 369, 375, 68, 286, 114/291, 39.24, 280, 265, 123, 275, 61.32, 114/256, 61.12, 39.28, 278, 290, 289, 124, 114/90, 283, 273; D32/69; 410/40; D2/898, D2/919; D21/542, 543; D12/304, 303, D12/309, 300, 314, 315, 302; 89/36.12; 60/221, 233; 244/12.1; 318/588; 440/3, 440/38, 40, 1, 87; 220/543
CPC . B63B 35/731; B63B 35/4413; B63B 35/44; B63B 2001/044; B63H 11/08

See application file for complete search history.

Primary Examiner — Robert M Spear

Assistant Examiner — Ryan Harvey

(74) *Attorney, Agent, or Firm* — Malloy & Malloy, P.L.

(57) **CLAIM**

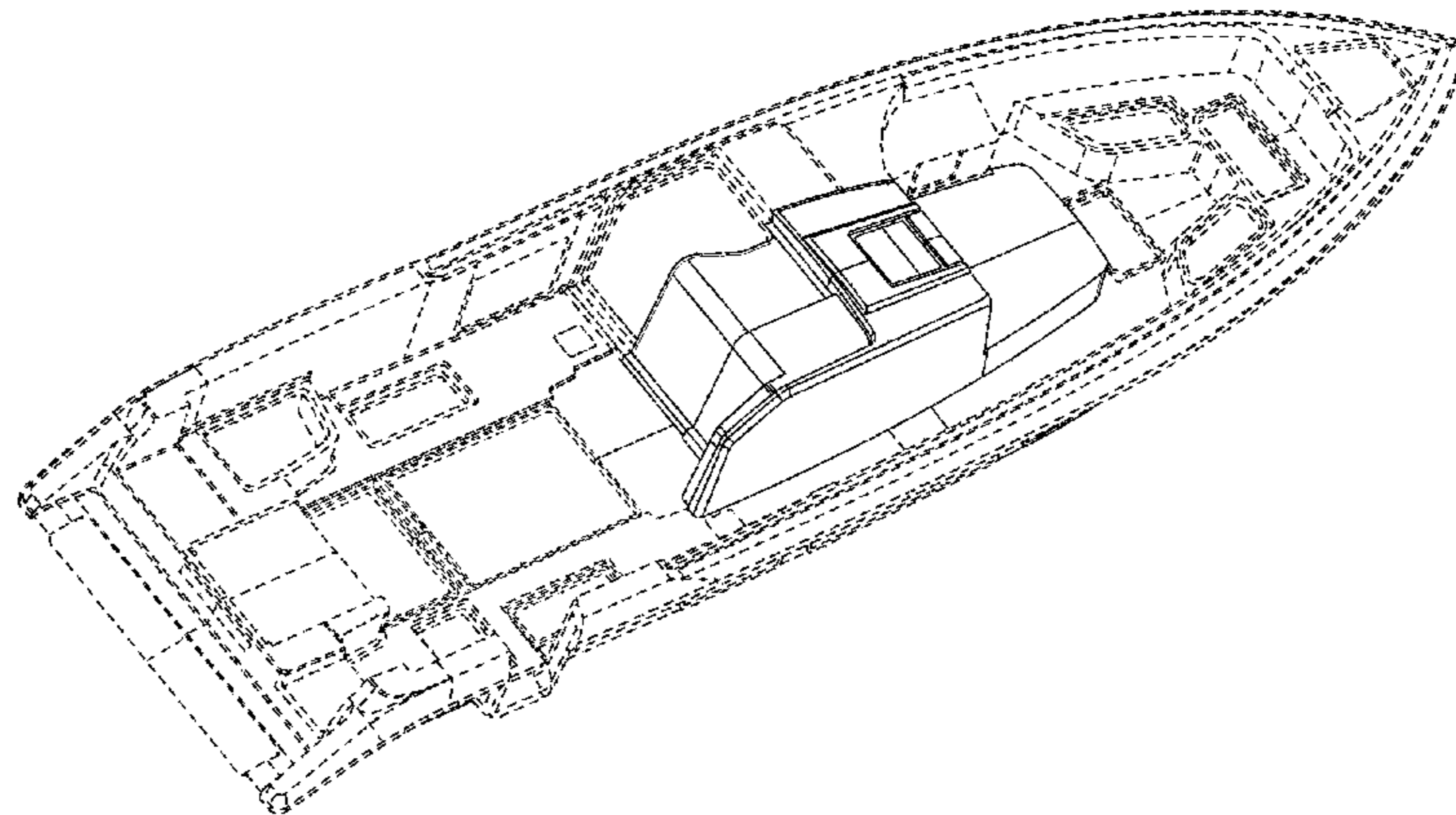
The ornamental design for a boat console, as shown and described.

DESCRIPTION

FIG. 1 is a top perspective view illustrating my design for a boat console;
FIG. 2 is yet another top perspective view thereof;
FIG. 3 is a left side view thereof;
FIG. 4 is a right side view thereof;
FIG. 5 is a top view thereof;
FIG. 6 is a front view thereof; and,
FIG. 7 is a rear view thereof.

The broken lines illustrate portions of the article that form no part of the claimed design.

1 Claim, 7 Drawing Sheets



(56)

References Cited

U.S. PATENT DOCUMENTS

4,807,556 A 2/1989 Hillier
 4,821,667 A 4/1989 Hargett
 4,917,037 A 4/1990 Hargett, Sr.
 D310,059 S 8/1990 Porter
 D315,892 S * 4/1991 Tollefson D12/315
 D319,424 S * 8/1991 Marks D12/304
 5,044,294 A * 9/1991 Kronich B63H 9/08
 114/112
 D322,240 S 12/1991 Carlson
 5,136,963 A 8/1992 Zuzik
 D329,038 S 9/1992 Dekker et al.
 5,143,013 A 9/1992 Huebner
 5,211,126 A * 5/1993 Johnson B63B 1/042
 114/288
 5,224,297 A 7/1993 Watkins
 5,232,385 A * 8/1993 Hatfield B63H 21/16
 114/334
 D345,339 S 3/1994 Wenstadt et al.
 D357,223 S 4/1995 Thompson et al.
 D375,479 S 11/1996 Lapointe et al.
 D384,321 S * 9/1997 Anderson D12/310
 5,715,770 A 2/1998 Heyworth
 5,833,502 A * 11/1998 Anderson B63B 1/042
 114/343
 5,934,215 A 8/1999 Burg
 5,937,777 A 8/1999 Azima
 D429,682 S 8/2000 Garland et al.
 D430,098 S * 8/2000 Vuckovis D12/300
 6,131,340 A 10/2000 Clark et al.
 6,354,236 B1 3/2002 Davidson
 6,701,863 B2 3/2004 Kalhok et al.
 6,708,642 B1 * 3/2004 Taylor B63B 1/042
 114/290
 D509,469 S 9/2005 Longpré et al.
 D548,666 S * 8/2007 Laupman D12/300
 7,255,054 B1 8/2007 DiGregorio
 D553,071 S * 10/2007 de Rover D12/315
 7,299,764 B1 * 11/2007 Davis B63B 1/042
 114/291
 D574,313 S * 8/2008 de Rover D12/300

D587,641 S * 3/2009 Bouckaert D12/300
 7,591,228 B2 * 9/2009 Hopper E05C 3/06
 114/116
 D632,631 S 2/2011 Quirin et al.
 D642,108 S 7/2011 Gros
 8,443,746 B2 5/2013 Pegg et al.
 D700,127 S 2/2014 Fuller, IV
 D717,226 S * 11/2014 Braver D12/318
 D726,635 S 4/2015 Curts
 9,021,972 B1 * 5/2015 Braver B63B 29/20
 114/343
 D738,284 S 9/2015 Okuyama et al.
 D743,318 S 11/2015 Curts
 2005/0087117 A1 * 4/2005 Scott B63B 59/04
 114/222
 2007/0006789 A1 1/2007 Davidson et al.
 2009/0227157 A1 9/2009 Mochizuki
 2010/0037814 A1 2/2010 Sahr et al.
 2010/0282154 A1 * 11/2010 Cook B63H 9/08
 114/112
 2010/0319604 A1 12/2010 Mayrand et al.
 2011/0197800 A1 * 8/2011 Kalil B63B 29/14
 114/71
 2011/0223815 A1 9/2011 Kinoshita
 2012/0028517 A1 2/2012 Mochizuki et al.
 2013/0055944 A1 * 3/2013 Poulsen B63H 9/02
 114/39.3
 2013/0160695 A1 6/2013 Gratz et al.
 2013/0247813 A1 9/2013 Pegg et al.
 2014/0116319 A1 * 5/2014 Dougherty B63B 49/00
 114/343
 2014/0202372 A1 * 7/2014 de Basto B63B 3/48
 114/77 R
 2014/0216320 A1 * 8/2014 Lee B63B 43/12
 114/121

OTHER PUBLICATIONS

<https://www.tritonboats.com/PDFFiles/07%20saltwater%20catalog.pdf>; Triton Boats, 2007 Saltwater Boat Express, Downloaded Nov. 4, 2015.

* cited by examiner

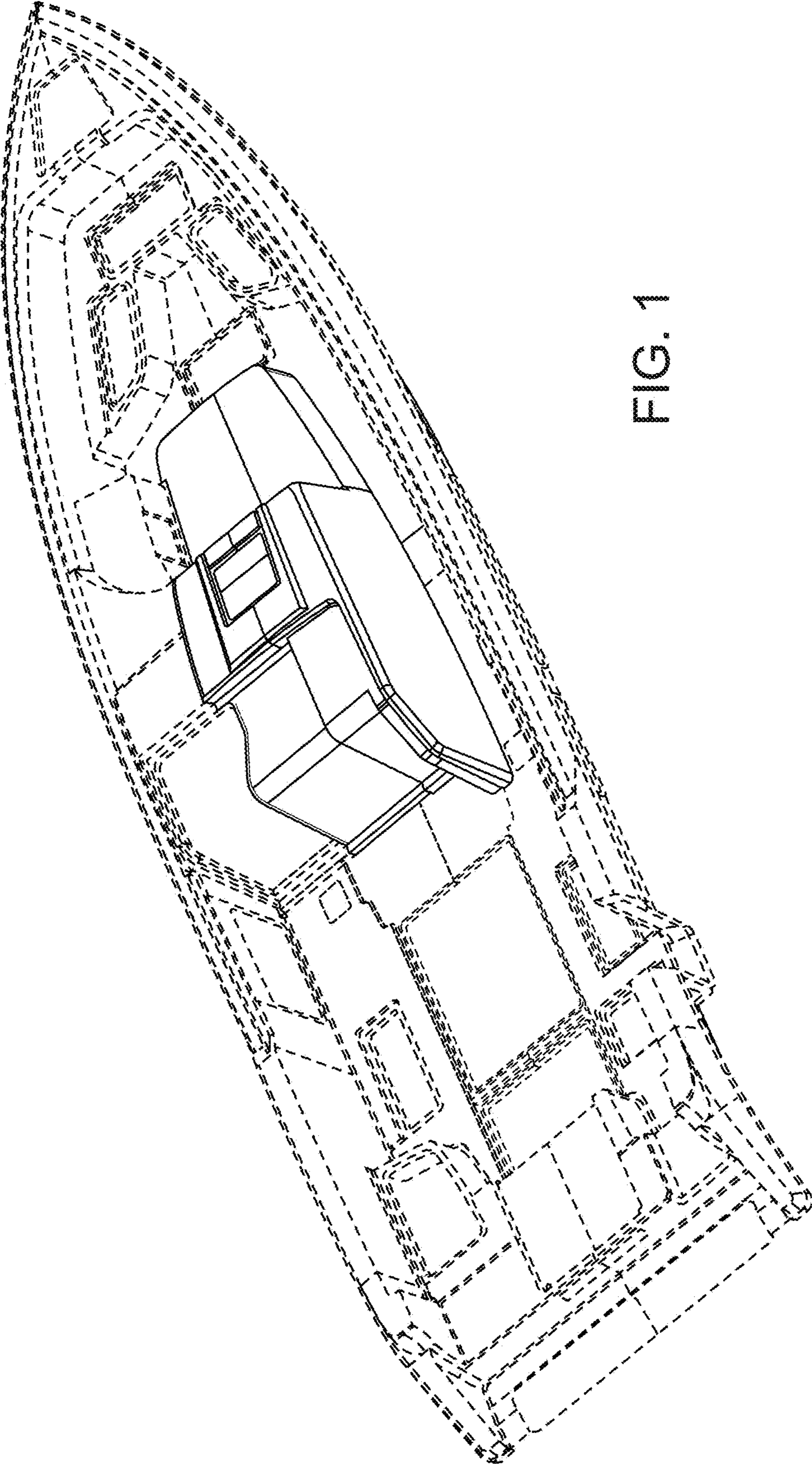


FIG. 1

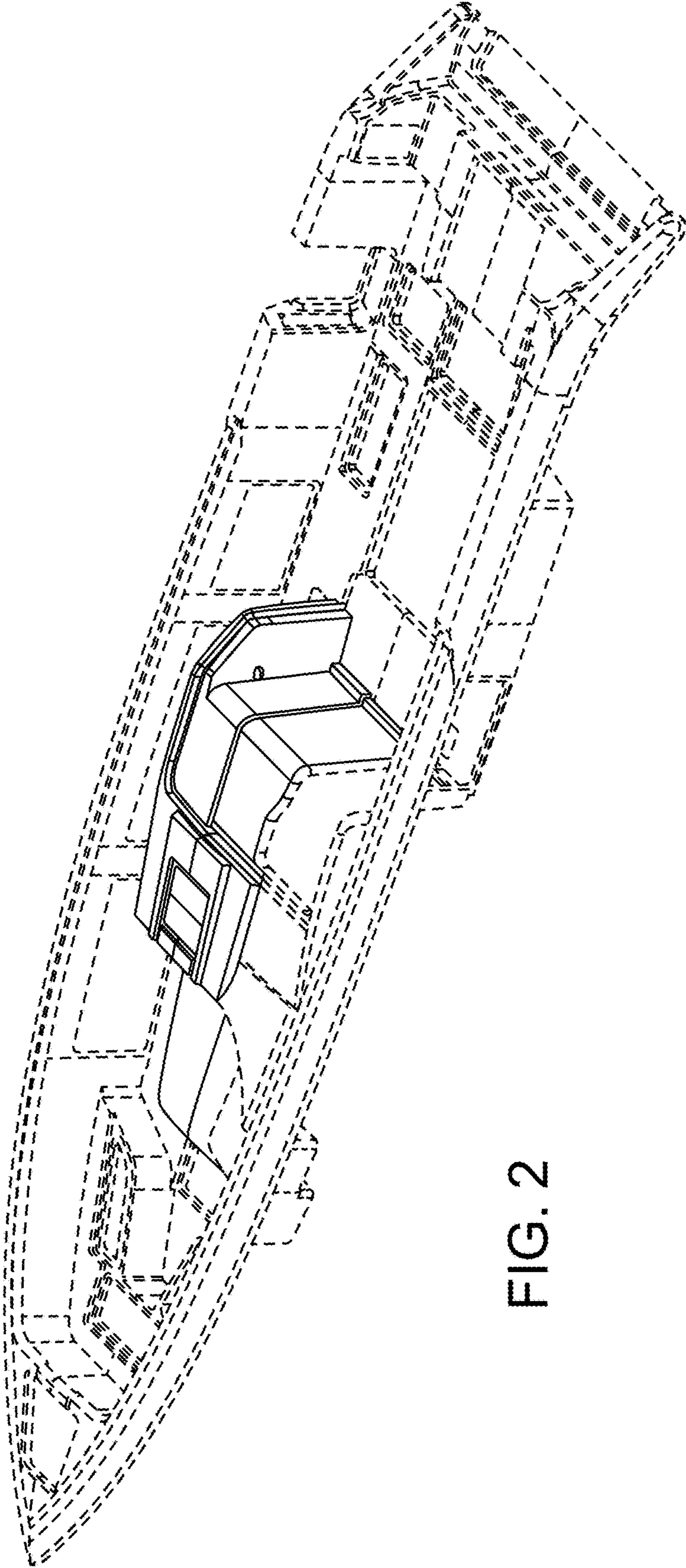


FIG. 2

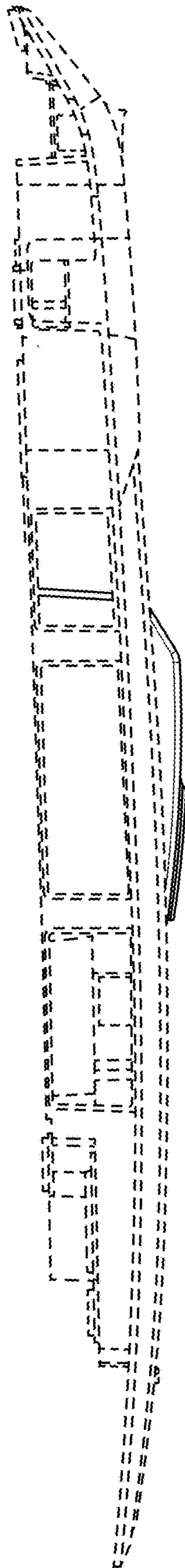


FIG. 3

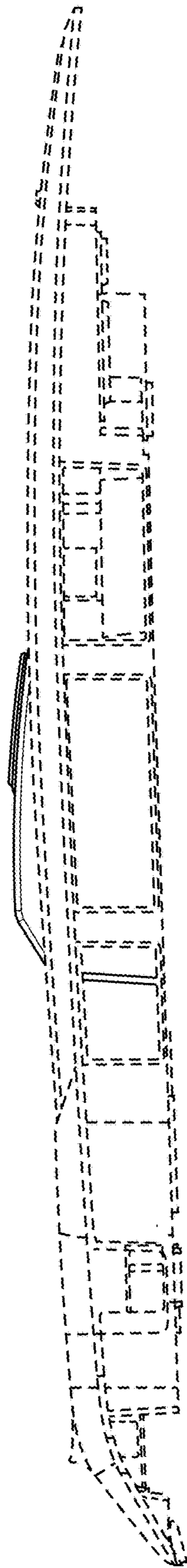


FIG. 4

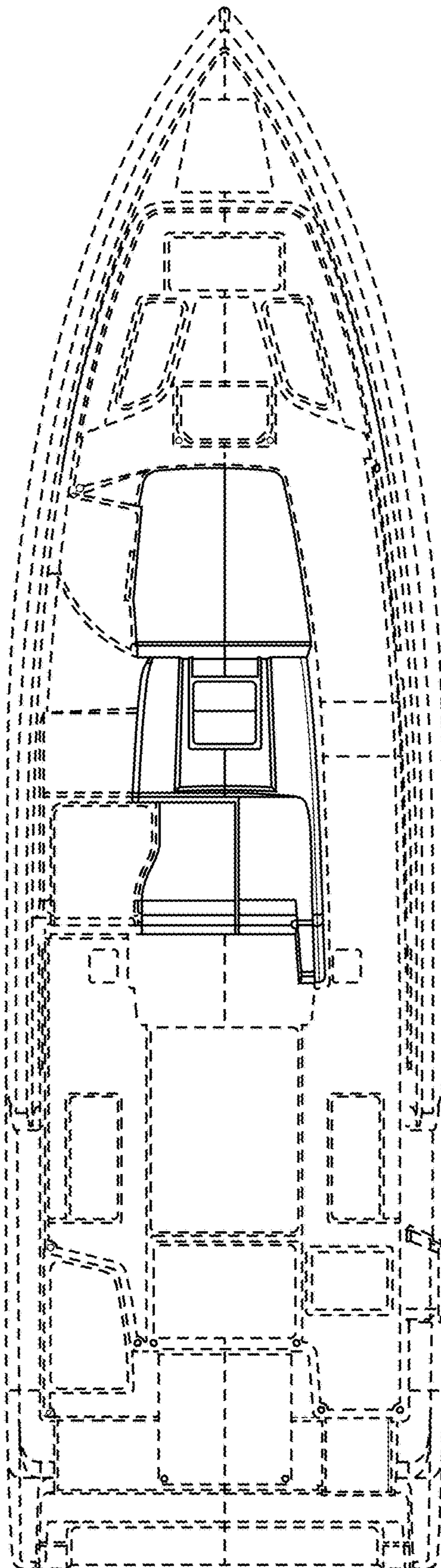


FIG. 5

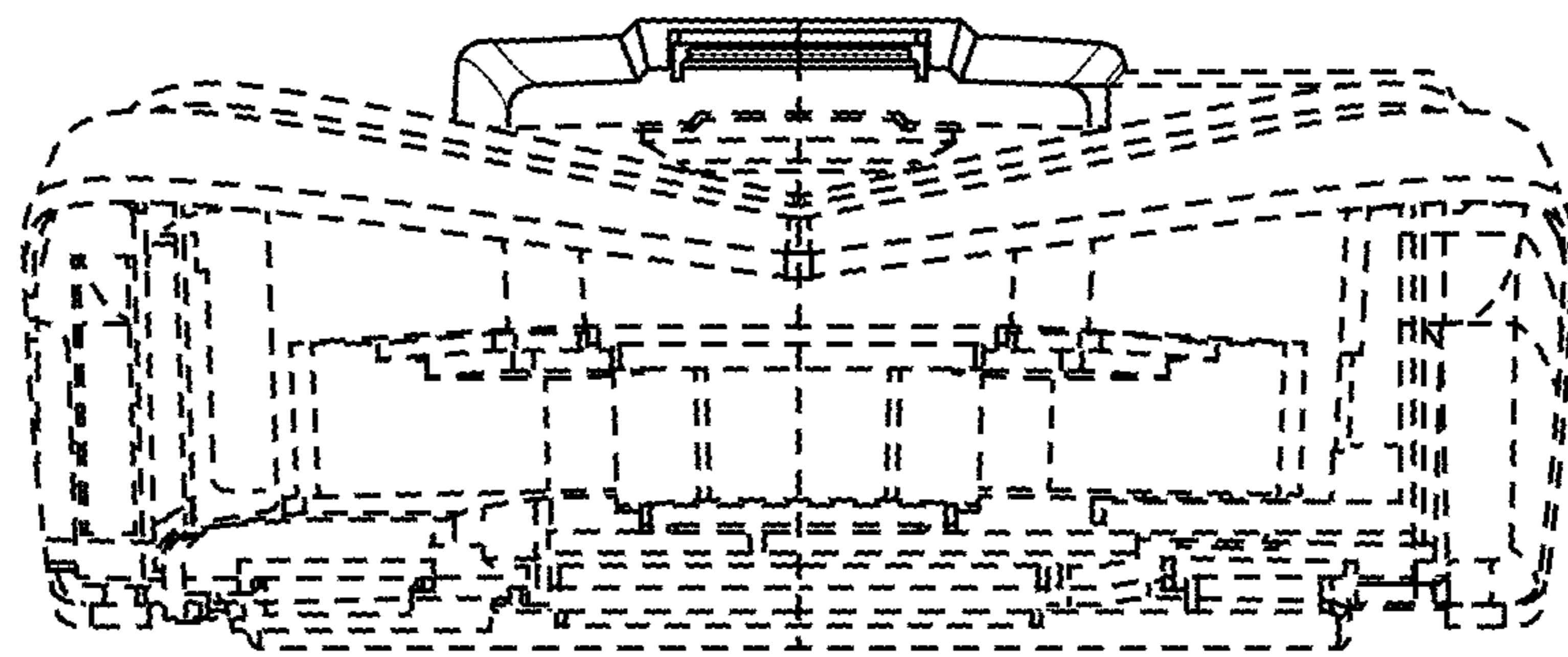


FIG. 6

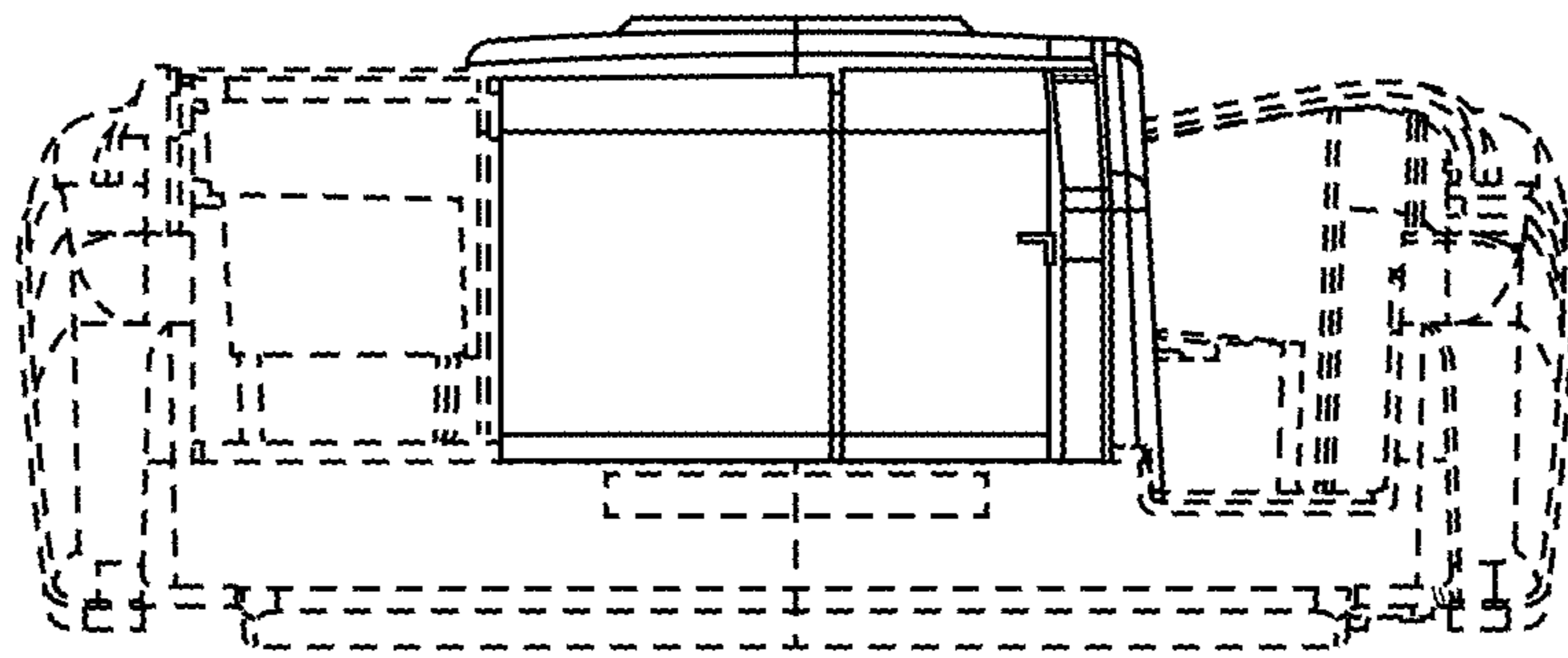


FIG. 7