



US00D773372S

(12) **United States Design Patent** (10) **Patent No.:** **US D773,372 S**
Badillo (45) **Date of Patent:** **** Dec. 6, 2016**

(54) **VEHICLE RACK BRACKET**
(71) Applicant: **Intelligent Designs 2000 Corp.**,
Aurora, CO (US)
(72) Inventor: **Paul Badillo**, Littleton, CO (US)
(73) Assignee: **Intelligent Designs 2000 Corp.**,
Aurora, CO (US)

D340,018 S * 10/1993 Yoder D12/223
D392,933 S * 3/1998 Mattila D12/223
D394,975 S * 6/1998 Wilkening D12/115
D482,313 S * 11/2003 McCoy D12/223
D666,549 S * 9/2012 Gagnon D12/223
D702,620 S * 4/2014 Read D12/223
2005/0082326 A1 4/2005 Badillo
2005/0098595 A1 * 5/2005 Smith B60R 9/0485
224/319

(**) Term: **15 Years**

(21) Appl. No.: **29/536,911**

(22) Filed: **Aug. 20, 2015**

(51) **LOC (10) Cl.** **12-06**

(52) **U.S. Cl.**
USPC **D12/223**

(58) **Field of Classification Search**
USPC D12/20, 42, 43, 44, 48, 317, 345,
106,D12/114, 115, 117, 400, 406, 407,
408, 409,D12/410, 412, 414, 203, 223;
D8/349, 354, 355, D8/382, 394, 499, 404,
19, 16
CPC B60R 9/00; B60R 9/04; B60R 9/042;
B60R 9/0423; B60R 9/0485; B60R 9/058;
B60R 2011/004; B60R 2011/0052; B60R
2011/0059; B60R 2011/008; B62D 43/02
See application file for complete search history.

(56) **References Cited**

U.S. PATENT DOCUMENTS

1,825,268 A * 9/1931 Gilmore B62D 43/02
224/42.16
D176,387 S * 12/1955 Slavsky D20/43
D205,088 S * 6/1966 Scott D15/140
D213,802 S * 4/1969 Manville D8/380
3,613,134 A * 10/1971 Bassett B65B 69/0033
254/28
4,666,116 A * 5/1987 Lloyd F16B 2/065
248/228.6

OTHER PUBLICATIONS

“Hi-Lift mount for 6" tall racks, Axe & Shovel mount for 6" and 5" tall rack, Hi-Lift jack mount for 5" tall racks,” BajaRacks Adventure Equipment, 5 pages, first sales 2011 [retrieved from: <http://www.bajarack.com/accessories-page>].

(Continued)

Primary Examiner — Sheryl Lane

Assistant Examiner — Ieisha Price

(74) *Attorney, Agent, or Firm* — Sheridan Ross P.C.

(57) **CLAIM**

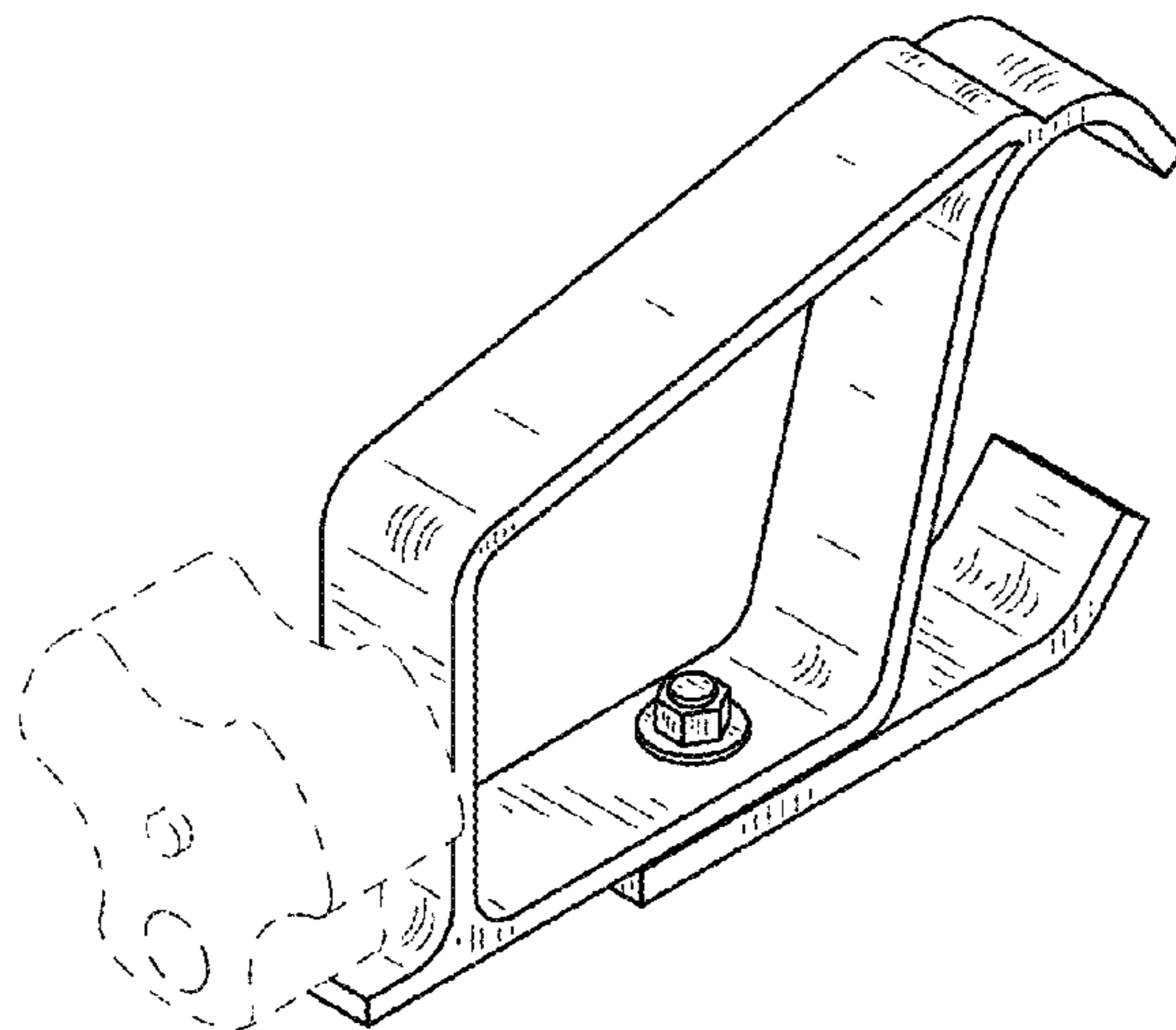
The ornamental design for a vehicle rack bracket, as shown and described.

DESCRIPTION

FIG. 1 is a top perspective view of a vehicle rack bracket; FIG. 2 is a bottom perspective view thereof; FIG. 3 is a front elevation view thereof; FIG. 4 is a rear elevation view thereof; FIG. 5 is a right elevation view thereof; FIG. 6 is a left elevation view thereof; FIG. 7 is a top plan view thereof; FIG. 8 is a bottom plan view thereof; and, FIG. 9 is an environmental perspective view of the vehicle rack bracket.

The broken lines in the drawings illustrate portions of the vehicle rack bracket or a rack that the vehicle rack bracket is interconnected to and form no part of the claimed design.

1 Claim, 5 Drawing Sheets



(56)

References Cited

OTHER PUBLICATIONS

“Hi-Lift Mount for 3" Height Racks,” BajaRacks Adventure Equipment, 2 pages, first sale 2014 [retrieved from: <http://www.bajarack.com/accesories-page>].

“Hi-Lift mount for FJ Cruiser factory rack.” BajaRacks Adventure Equipment, 2 pages, first sale 2014 [retrieved from: <http://www.bajarack.com/accesories-page>].

“Axe & Shovel Mount for FJ Cruiser rack,” BajaRacks Adventure Equipment, 2 pages, first sale 2014 [retrieved from: <http://www.bajarack.com/accesories-page>].

* cited by examiner

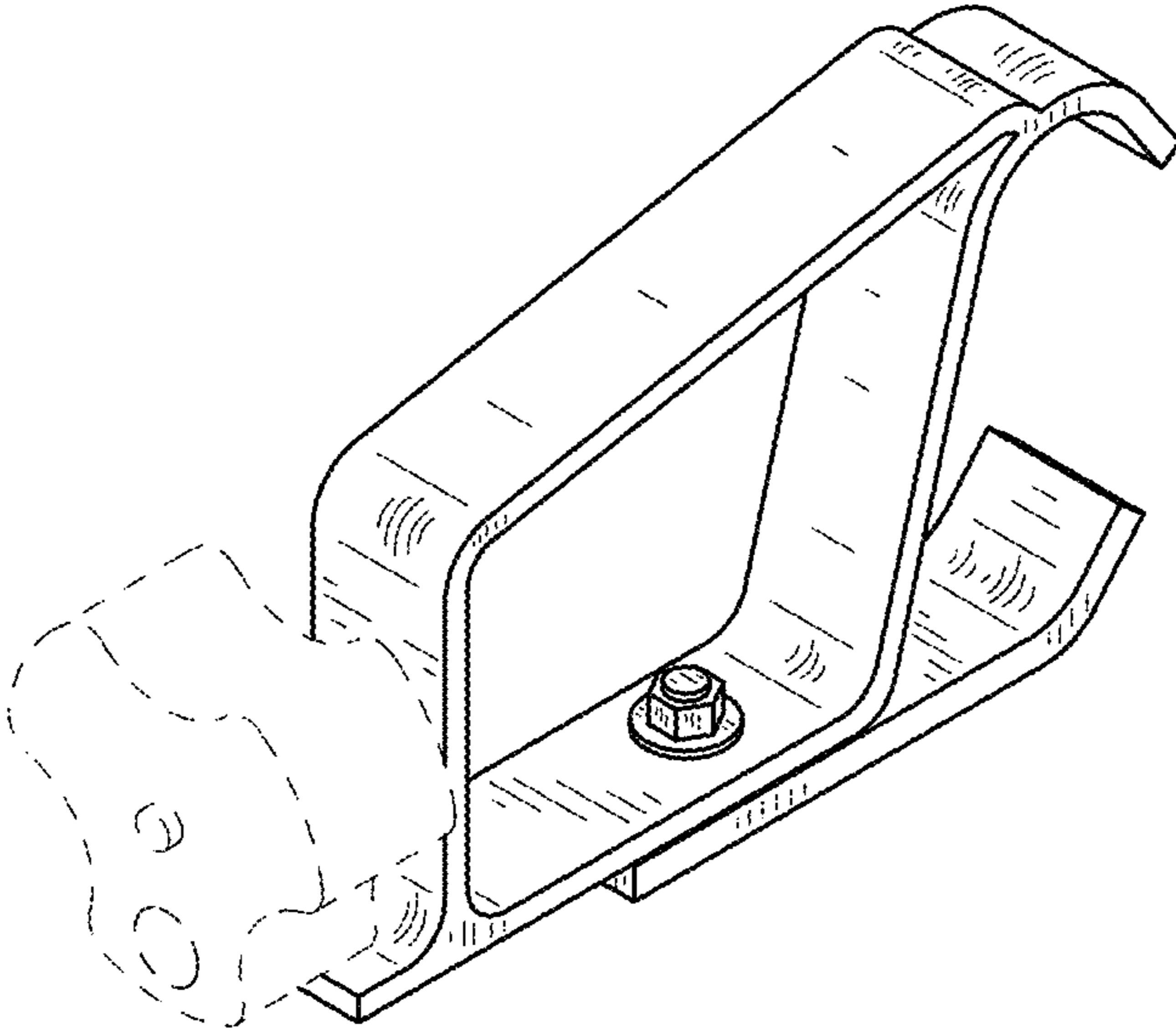


FIG.1

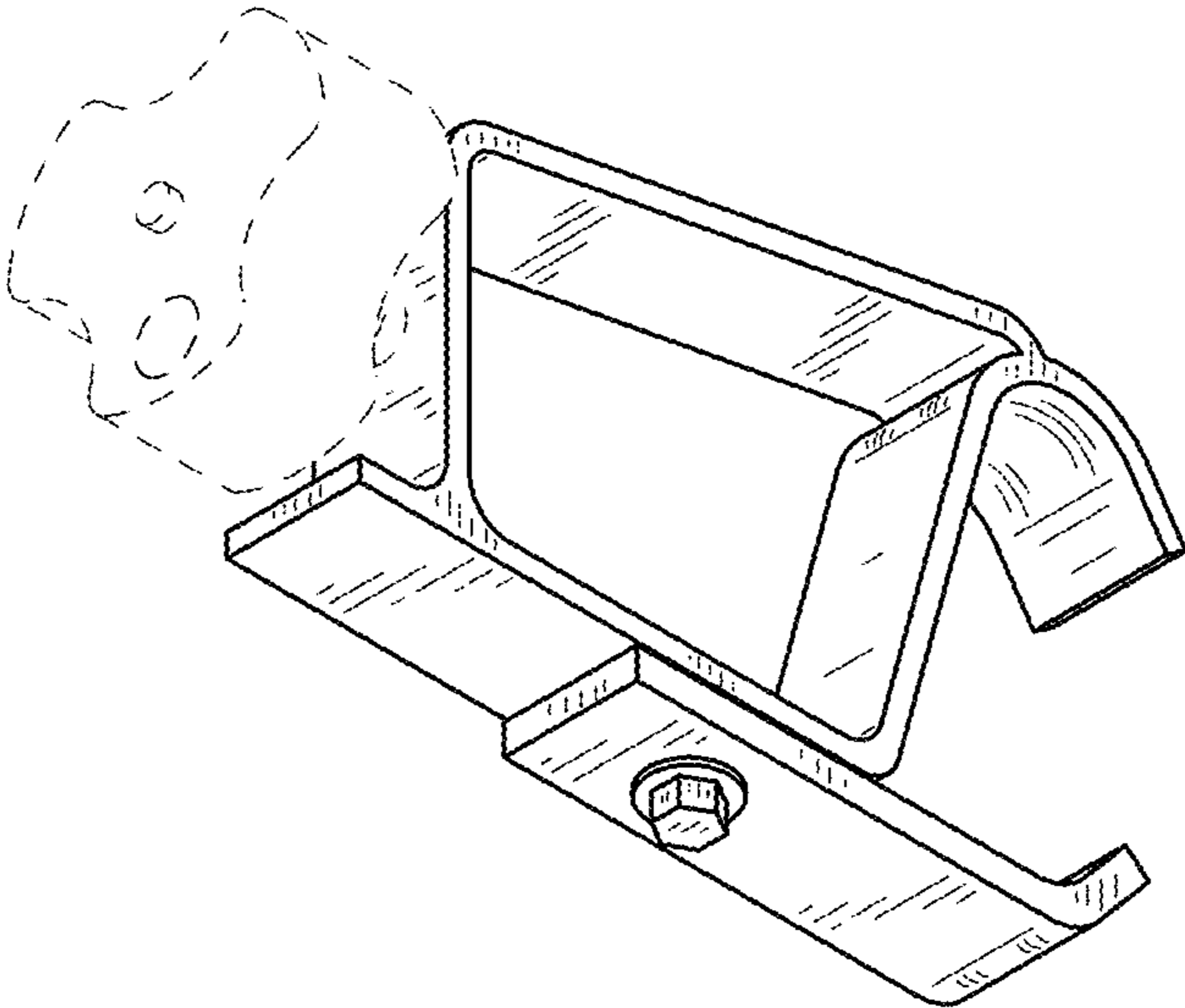


FIG.2

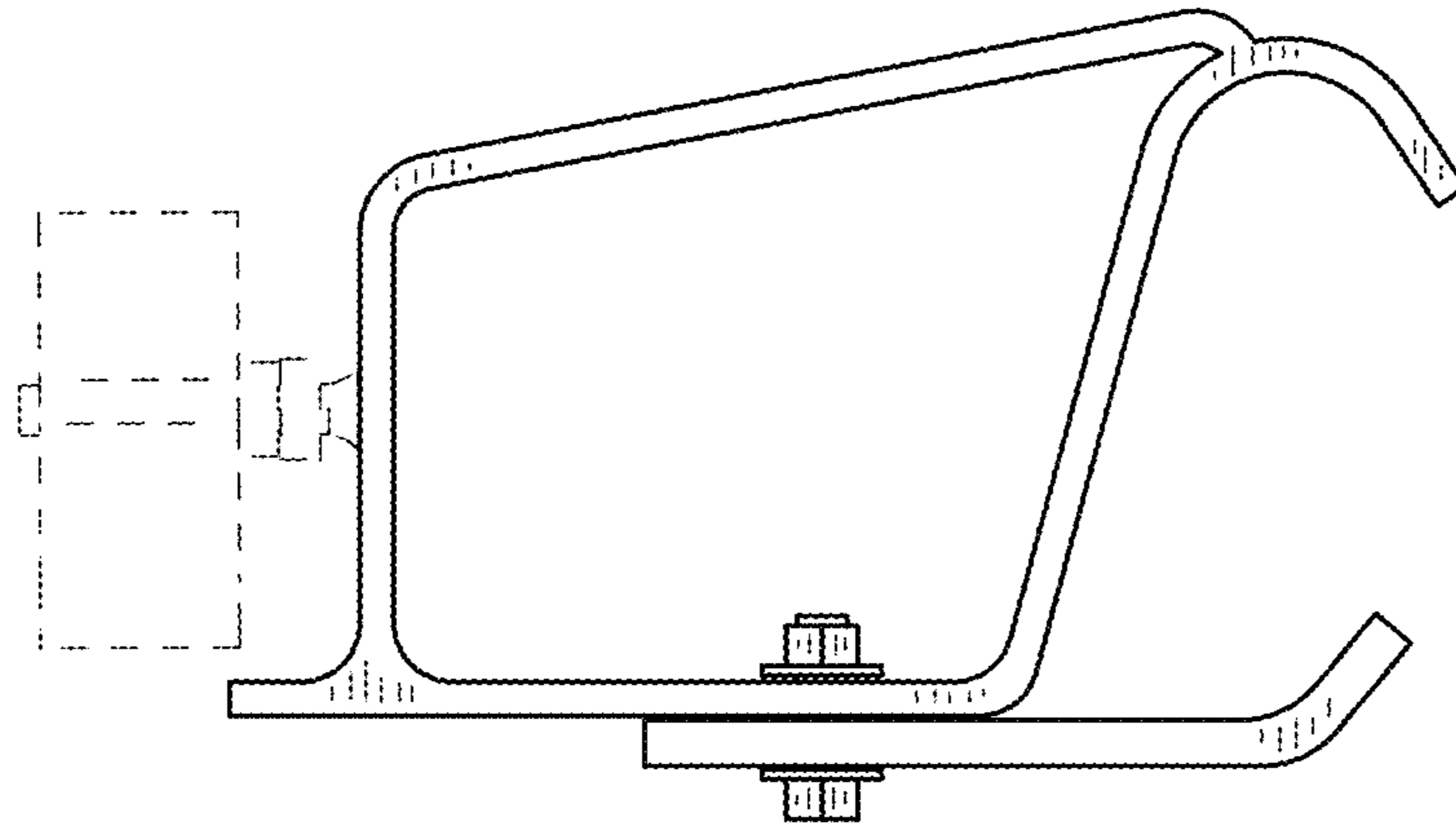


FIG.3

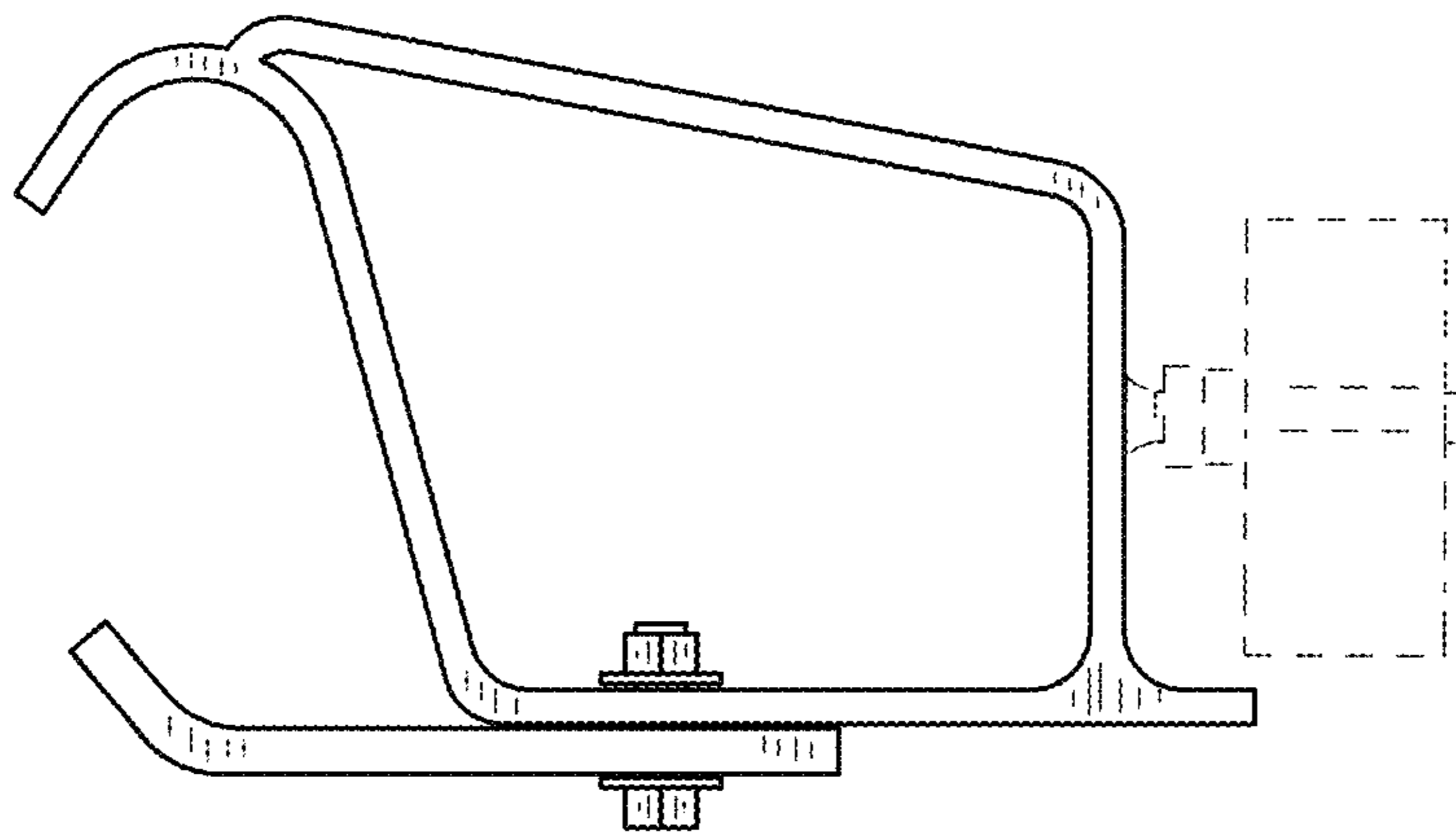


FIG.4

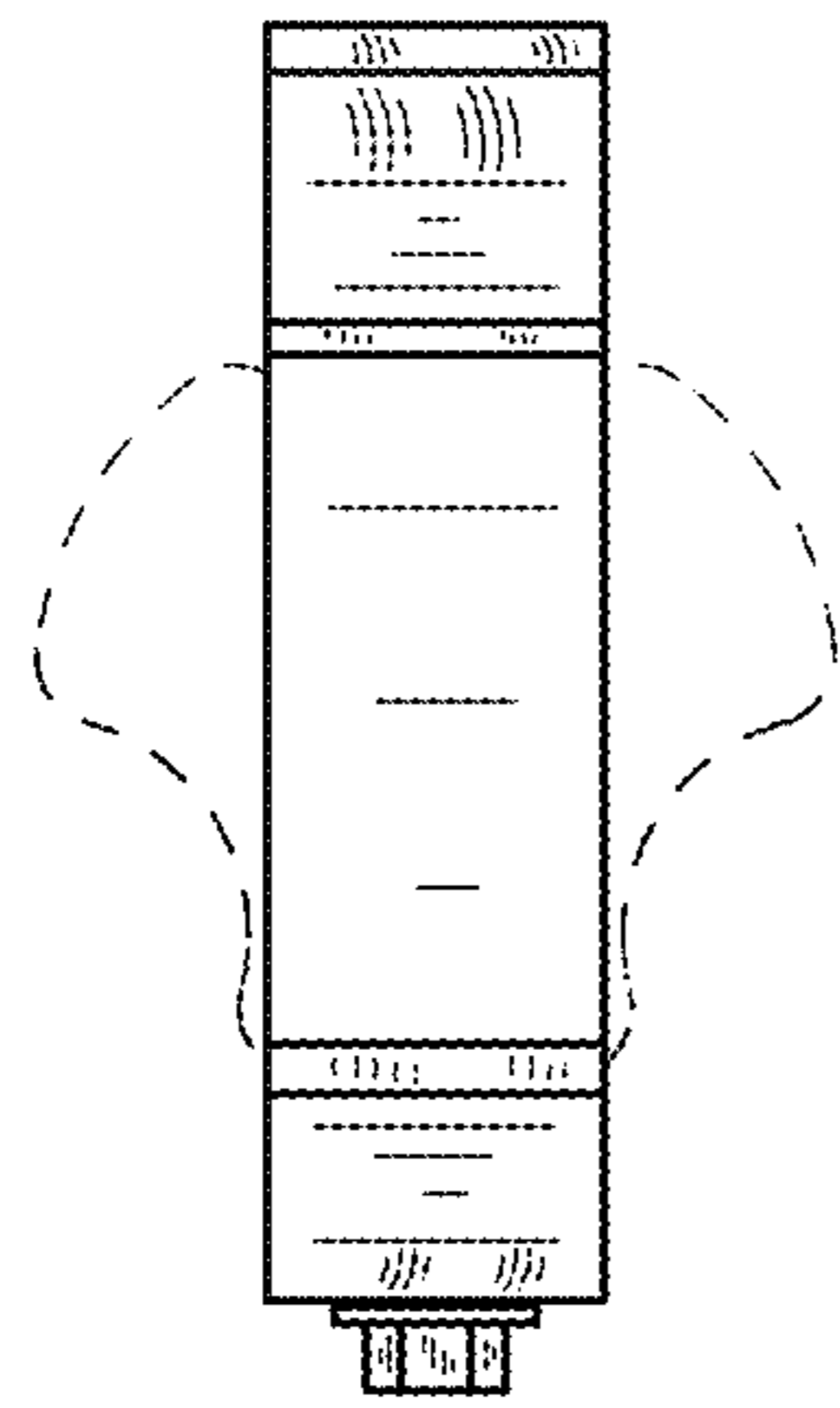


FIG. 5

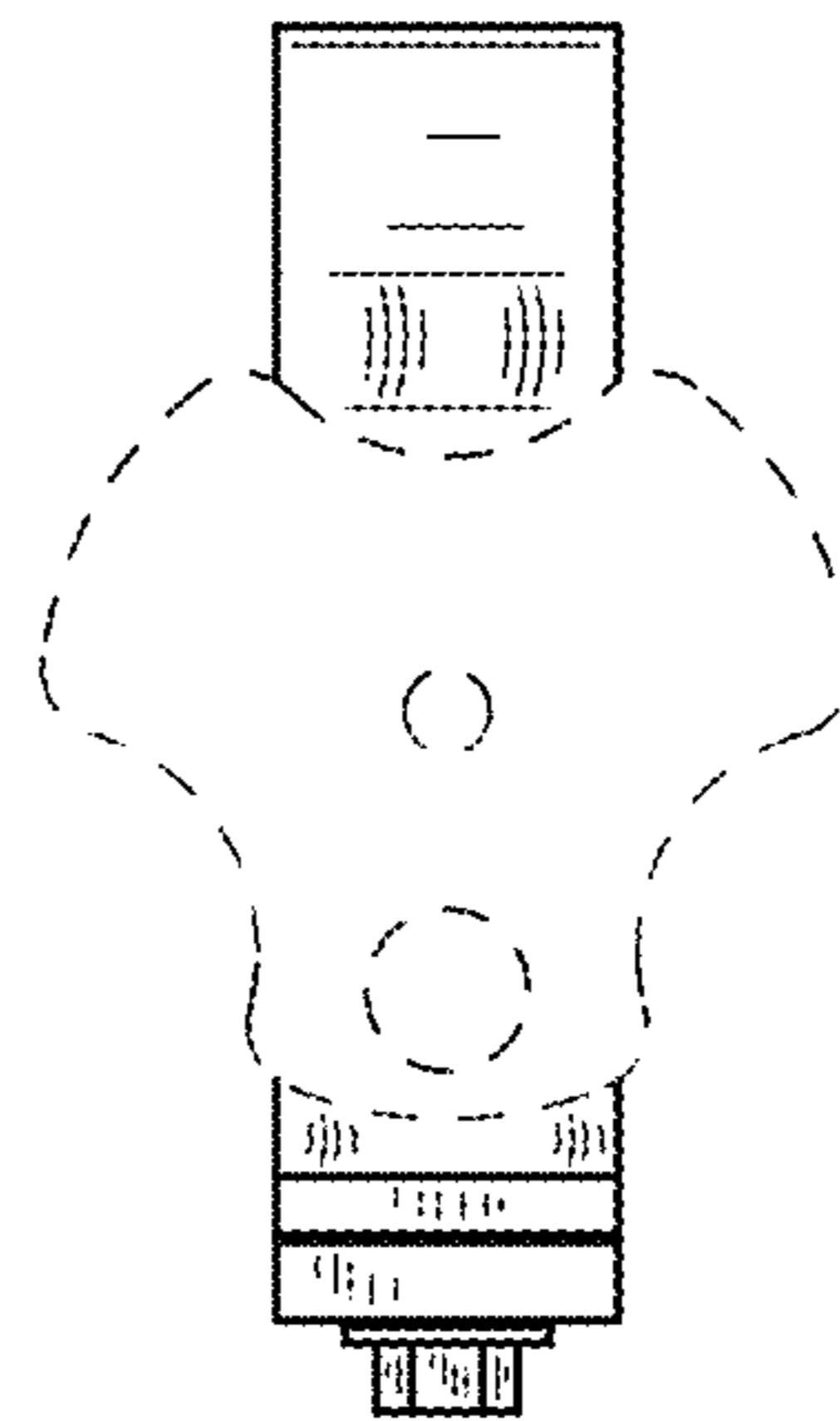


FIG. 6

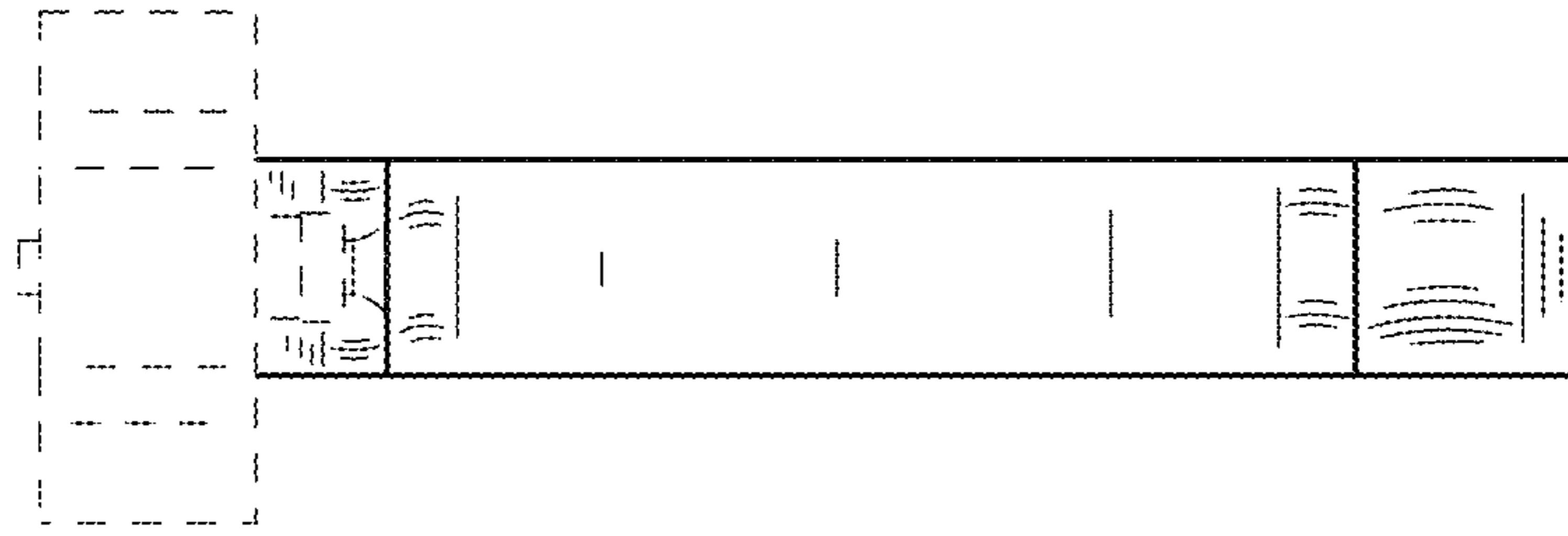


FIG. 7

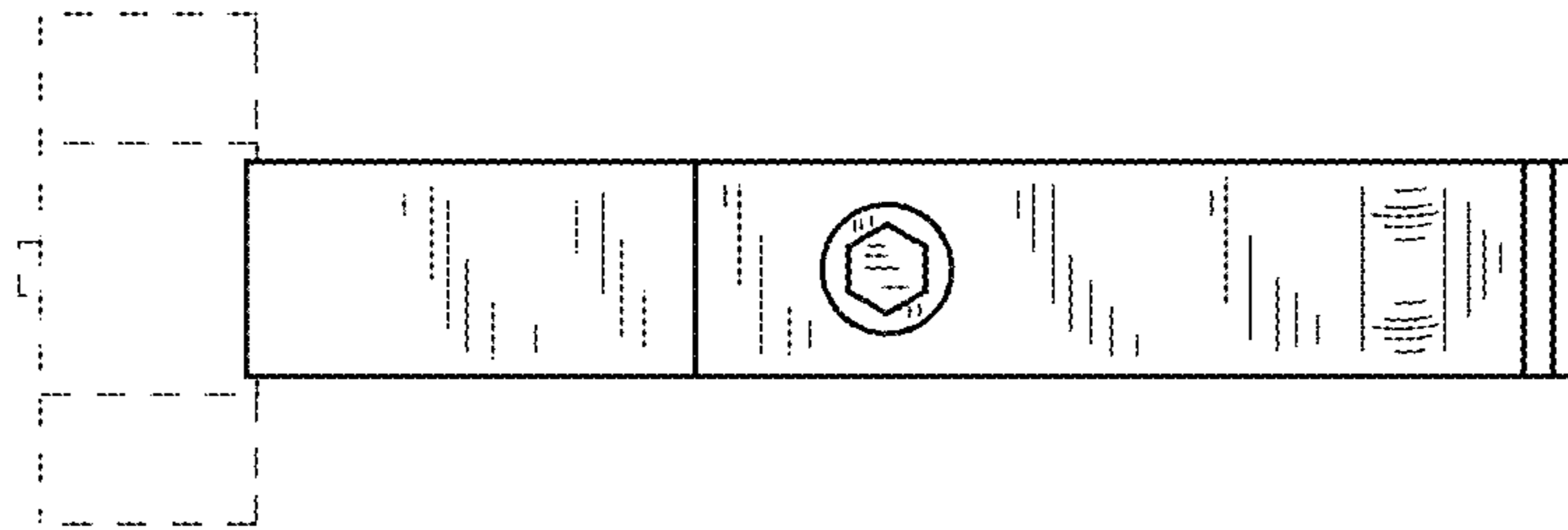


FIG. 8

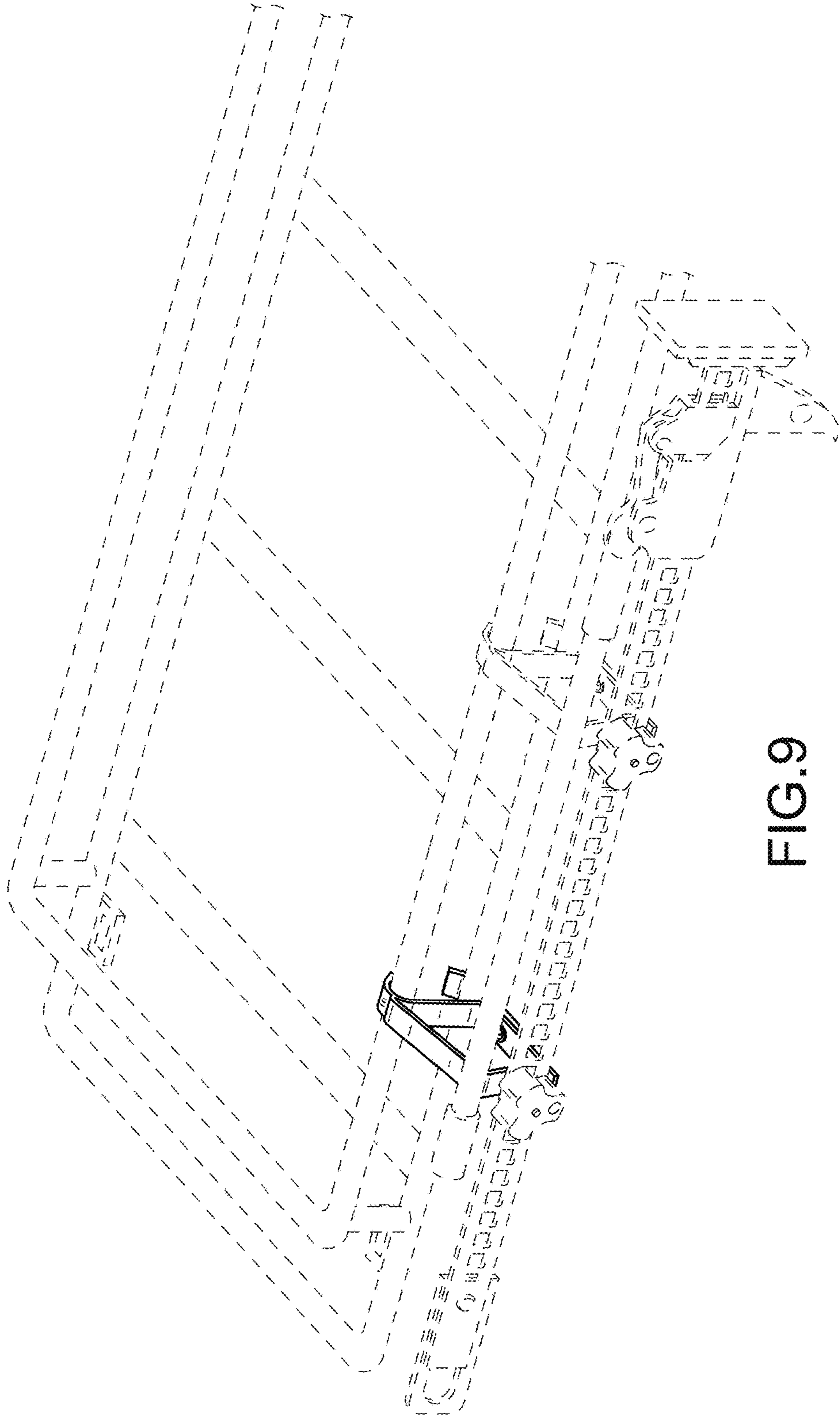


FIG.9