



US00D773370S

(12) **United States Design Patent** (10) **Patent No.:** **US D773,370 S**  
**Bucher et al.** (45) **Date of Patent:** **\*\* Dec. 6, 2016**

(54) **VEHICLE WHEEL**  
(71) Applicant: **Ford Global Technologies, LLC**,  
Dearborn, MI (US)  
(72) Inventors: **George Bucher**, Dearborn, MI (US);  
**Dean Carbis**, Bloomfield Hills, MI  
(US); **Jesse R. Diephuis**, West  
Bloomfield, MI (US)  
(73) Assignee: **Ford Global Technologies, LLC**,  
Detroit, MI (US)  
(\*\*) Term: **15 Years**  
(21) Appl. No.: **29/543,651**  
(22) Filed: **Oct. 27, 2015**  
(51) **LOC (10) Cl.** ..... **12-16**  
(52) **U.S. Cl.**  
USPC ..... **D12/211**  
(58) **Field of Classification Search**  
USPC ..... D12/204, 205, 206, 207, 208, 209,  
210, D12/211, 212, 213  
CPC ..... B60B 7/00; B60B 7/01; B60B 7/02;  
B60B 7/04; B60B 7/06; B60B 3/02; B60B  
3/04; B60B 3/06; B60B 3/10; B60B 1/00;  
B60B 1/08; B60B 1/10; B60B 1/12  
See application file for complete search history.

D724,516 S \* 3/2015 Di Buduo ..... D12/211  
D731,389 S \* 6/2015 Gotschke ..... D12/211  
D744,403 S \* 12/2015 Mielke ..... D12/211  
D751,019 S \* 3/2016 Behmer ..... D12/211  
D751,482 S \* 3/2016 Caswell ..... D12/209  
D753,044 S \* 4/2016 Mielke ..... D12/209  
D753,571 S \* 4/2016 Juergens ..... D12/211  
D753,572 S \* 4/2016 Juergens ..... D12/211  
D753,574 S \* 4/2016 Mielke ..... D12/211

**OTHER PUBLICATIONS**

<https://www.youtube.com/watch?v=1sQd9otAT4M>—Published  
Jun. 7, 2015.\*  
Bob Nagy <http://www.kbb.com/car-news/all-the-latest/2017-Ford-escape-spied/2000012056> 2017 Ford Escape spied, dated May 15,  
2015.  
Mark McNabb <http://www.topspeed.com/trucks/truck-reviews/Ford/2017-Ford-escape-ar169435.html> 2017 Ford Escape dated  
May 18, 2015.  
Alexander Stoklosa <http://www.caranddriver/news/2017-Ford-escape-spy-photos-news> 2017 Ford Escape Spy Photos dated May  
2015.  
Unknown <http://www.autoblog.com/2015/06/25/2017/Ford-escape-spy-shots> New Ford Escape spied inside and out dated Jun. 25,  
2015.

\* cited by examiner

*Primary Examiner* — Manpreet Matharu  
*Assistant Examiner* — Mojtaba Tehrani  
(74) *Attorney, Agent, or Firm* — Damian Porcari

(56) **References Cited**

**U.S. PATENT DOCUMENTS**

D643,356 S 8/2011 Gotschke  
D644,587 S 9/2011 Gotschke  
D647,449 S 10/2011 Gotschke  
D667,355 S 9/2012 Gotschke  
D667,767 S 9/2012 Gotschke  
D670,632 S \* 11/2012 Schweizer ..... D12/211  
D673,093 S \* 12/2012 Platto ..... D12/209  
D688,181 S \* 8/2013 Gotschke ..... D12/209  
D697,007 S \* 1/2014 Pollmann ..... D12/209

(57) **CLAIM**

The ornamental design for a vehicle wheel, as shown.

**DESCRIPTION**

FIG. 1 is a top perspective view of a vehicle wheel showing our new design; and,  
FIG. 2 is a front elevational view thereof.

**1 Claim, 2 Drawing Sheets**

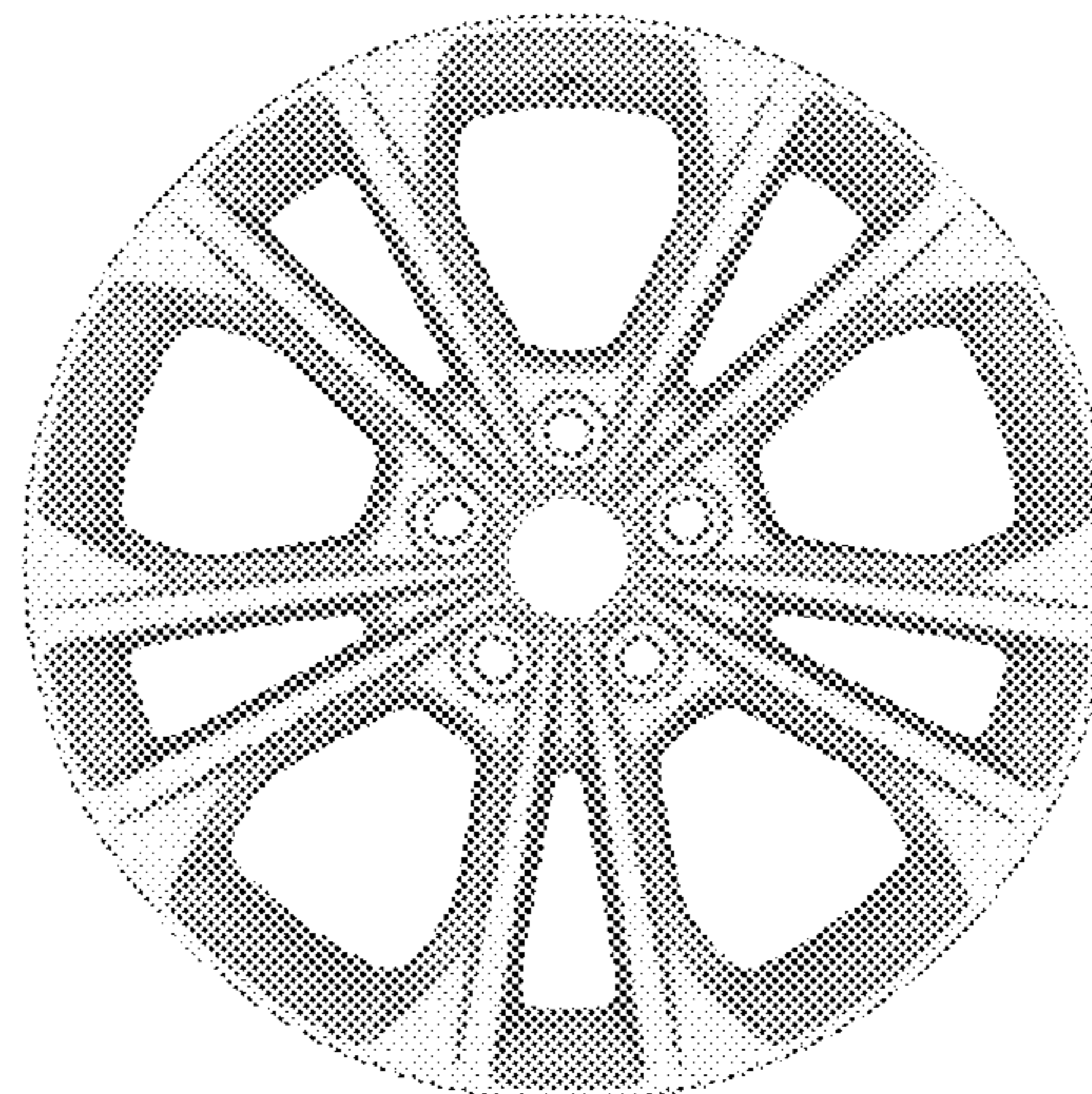
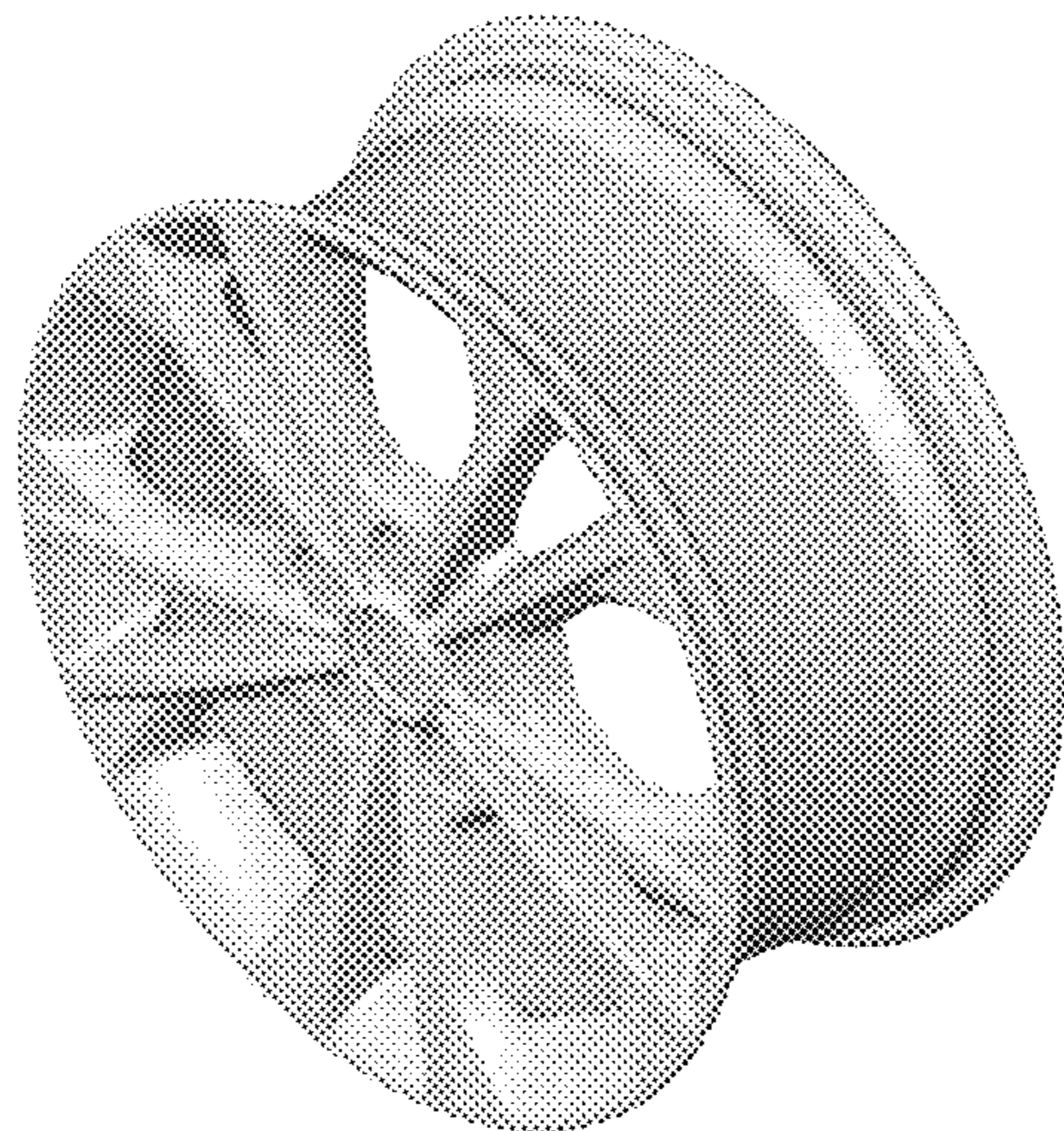






Figure 1



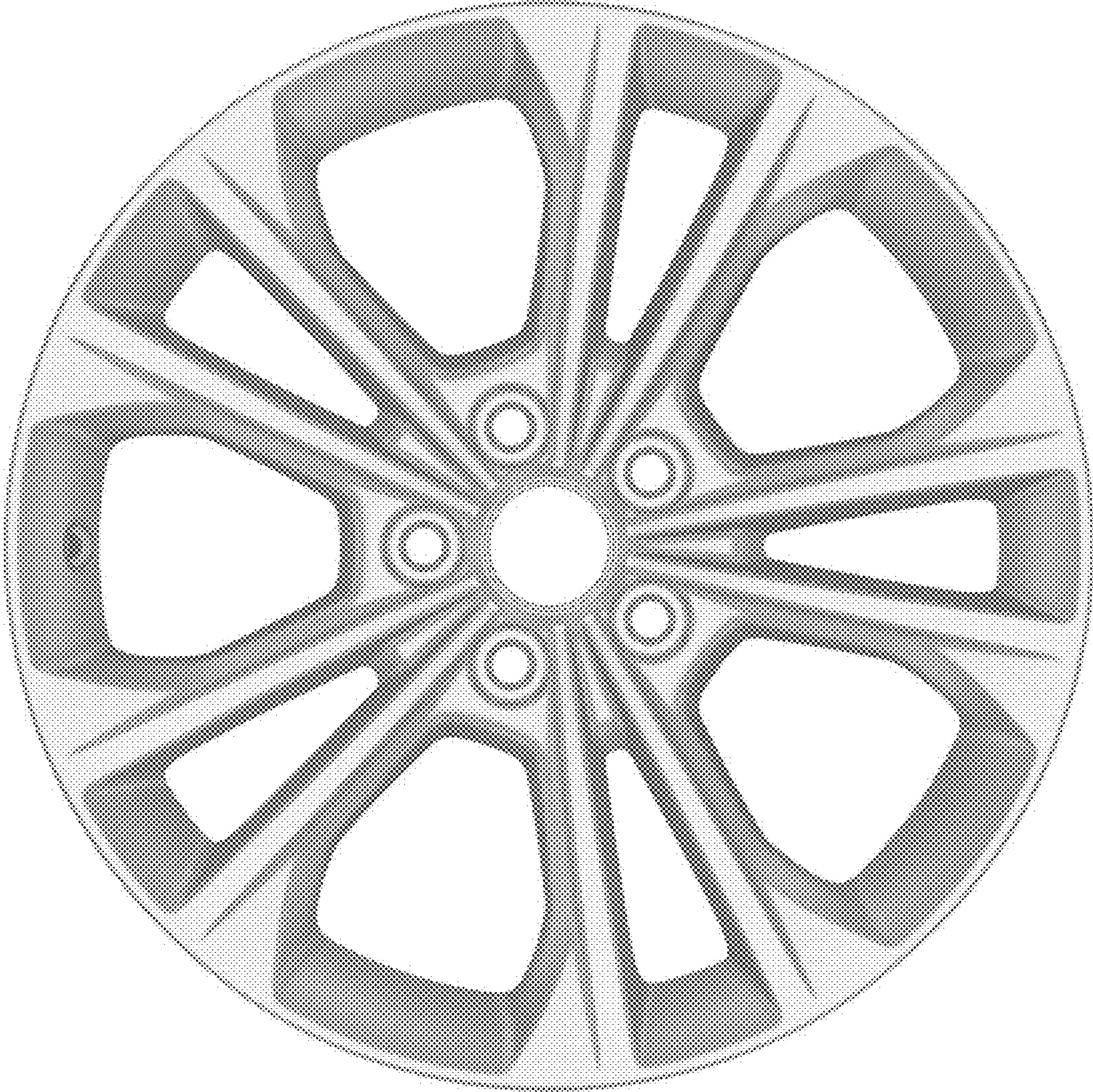


Figure 2