



US00D773368S

(12) **United States Design Patent** (10) **Patent No.:** **US D773,368 S**
Alesi (45) **Date of Patent:** **** Dec. 6, 2016**

(54) **LICENSE PLATE FRAME**

FOREIGN PATENT DOCUMENTS

(71) Applicant: **Custom Accessories, Inc.**, Richmond, IL (US)

RU 00071003 * 6/2009

(72) Inventor: **Vincent Alesi**, Kildeer, IL (US)

OTHER PUBLICATIONS

(73) Assignee: **Custom Accessories, Inc.**, Richmond, IL (US)

“Rhinestone License Plate Frame Pink Cherry Blossom” Nov. 26, 2010, Car Decor, site visited Sep. 8, 2016 <<http://www.cardecor.com/pink-cherry-blossom-flower-crystal-license-plate-frame-girl-accessory/>>.*

(**) Term: **15 Years**

* cited by examiner

(21) Appl. No.: **29/529,746**

(22) Filed: **Jun. 10, 2015**

Primary Examiner — Kevin Rudzinski

(51) **LOC (10) Cl.** **12-16**

Assistant Examiner — Paul Bohannon

(52) **U.S. Cl.**
USPC **D12/193**

(74) *Attorney, Agent, or Firm* — Patzik, Frank & Samotny Ltd.

(58) **Field of Classification Search**
USPC D11/131.1; D12/193; D6/303, 300;
312/235.1; 156/61; 40/737, 715; 428/7;
47/65.7
CPC A41G 1/00; A41G 1/001; A47G 1/0616;
A47G 1/0622; A01G 5/04

See application file for complete search history.

(57) **CLAIM**

The ornamental design for a license plate frame, as shown and described.

(56) **References Cited**

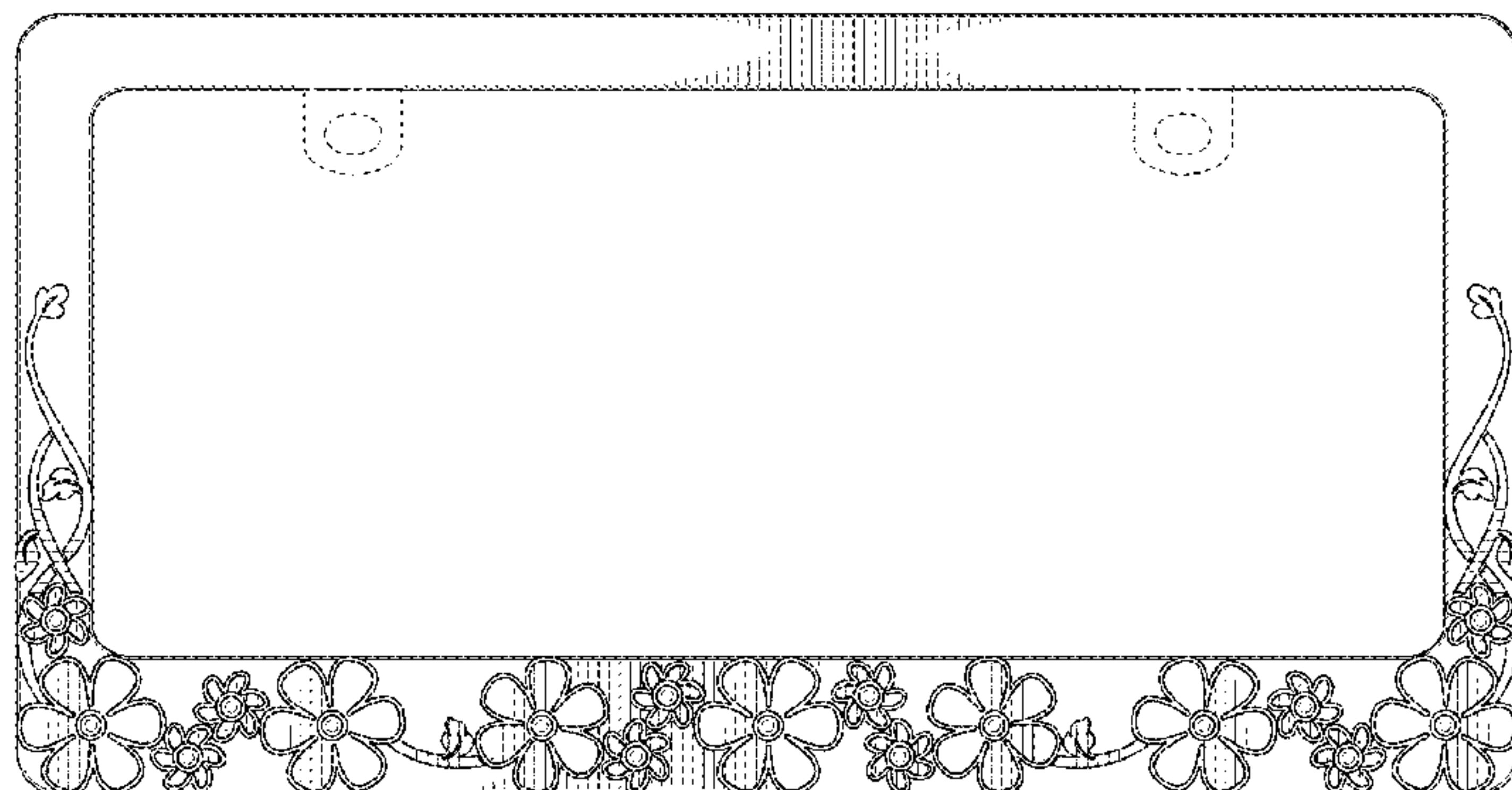
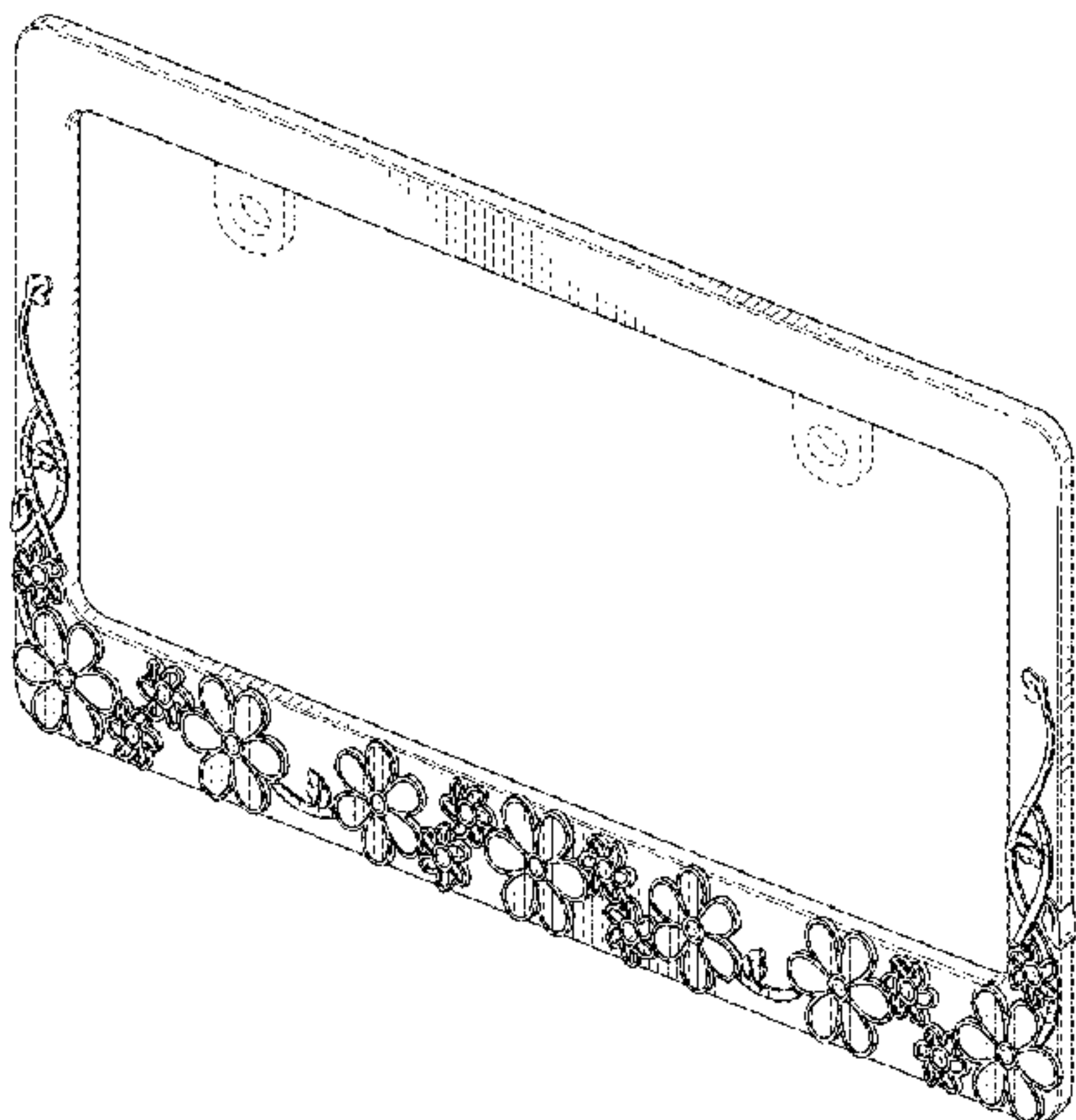
DESCRIPTION

U.S. PATENT DOCUMENTS

| | | | | | |
|--------------|------|---------|----------------|-------|-------------------------|
| 1,568,859 | A * | 1/1926 | Rosas | | A41G 1/00 112/475.04 |
| D153,834 | S * | 5/1949 | Stockdale | | 312/235.1 |
| D304,226 | S * | 10/1989 | Kim | | D11/131.1 |
| D364,041 | S * | 11/1995 | Lewis | | D6/303 |
| 5,508,070 | A * | 4/1996 | DiLapo | | A41G 1/00 156/61 |
| D438,021 | S * | 2/2001 | Aguilar | | D6/300 |
| 6,510,638 | B1 * | 1/2003 | Wang | | A47G 1/0616 40/737 |
| D656,076 | S | 3/2012 | Spencer et al. | | |
| D657,294 | S | 4/2012 | Spencer et al. | | |
| D659,061 | S * | 5/2012 | Krankkala | | D12/193 |
| 2004/0049962 | A1 * | 3/2004 | Moshirnooroozi | | A47G 1/0622 40/715 |
| 2010/0159159 | A1 * | 6/2010 | Lee-Hinds | | A41G 1/001 428/7 |
| 2015/0143747 | A1 * | 5/2015 | Mowla | | A01G 5/04 47/65.7 |

FIG. 1 is a front perspective view of the license plate frame of the present invention;
FIG. 2 is a front elevation view of the license plate frame of the present invention;
FIG. 3 is a left side view of the license plate frame of the present invention;
FIG. 4 is a right side view of the license plate frame of the present invention;
FIG. 5 is a top plan view of the license plate frame of the present invention; and,
FIG. 6 is a bottom plan view of the license plate frame of the present invention.
The rear view is not part of the claimed design.
The portions of the license plate frame shown in broken lines form no part of the claimed design.

1 Claim, 4 Drawing Sheets



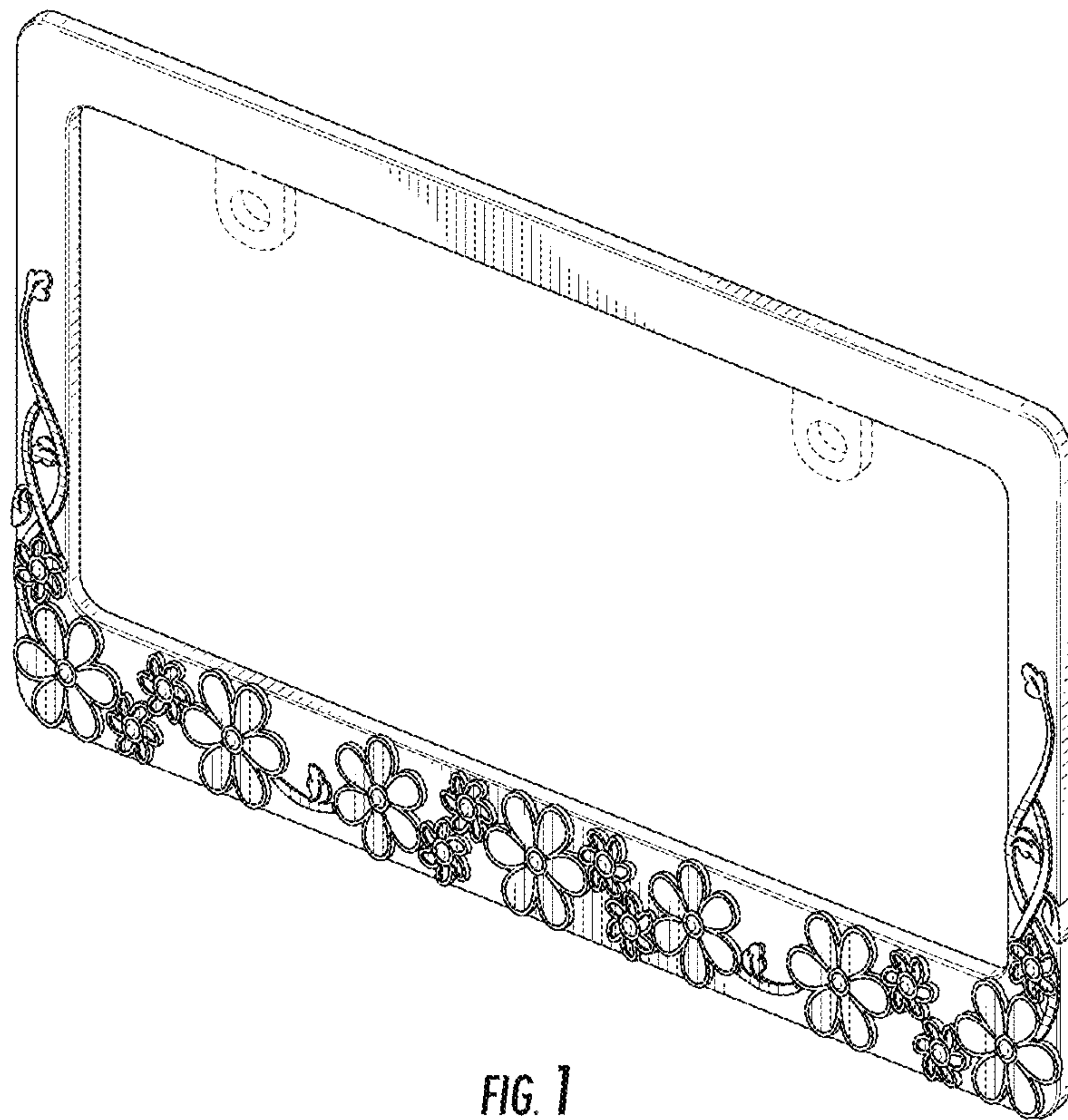


FIG. 1

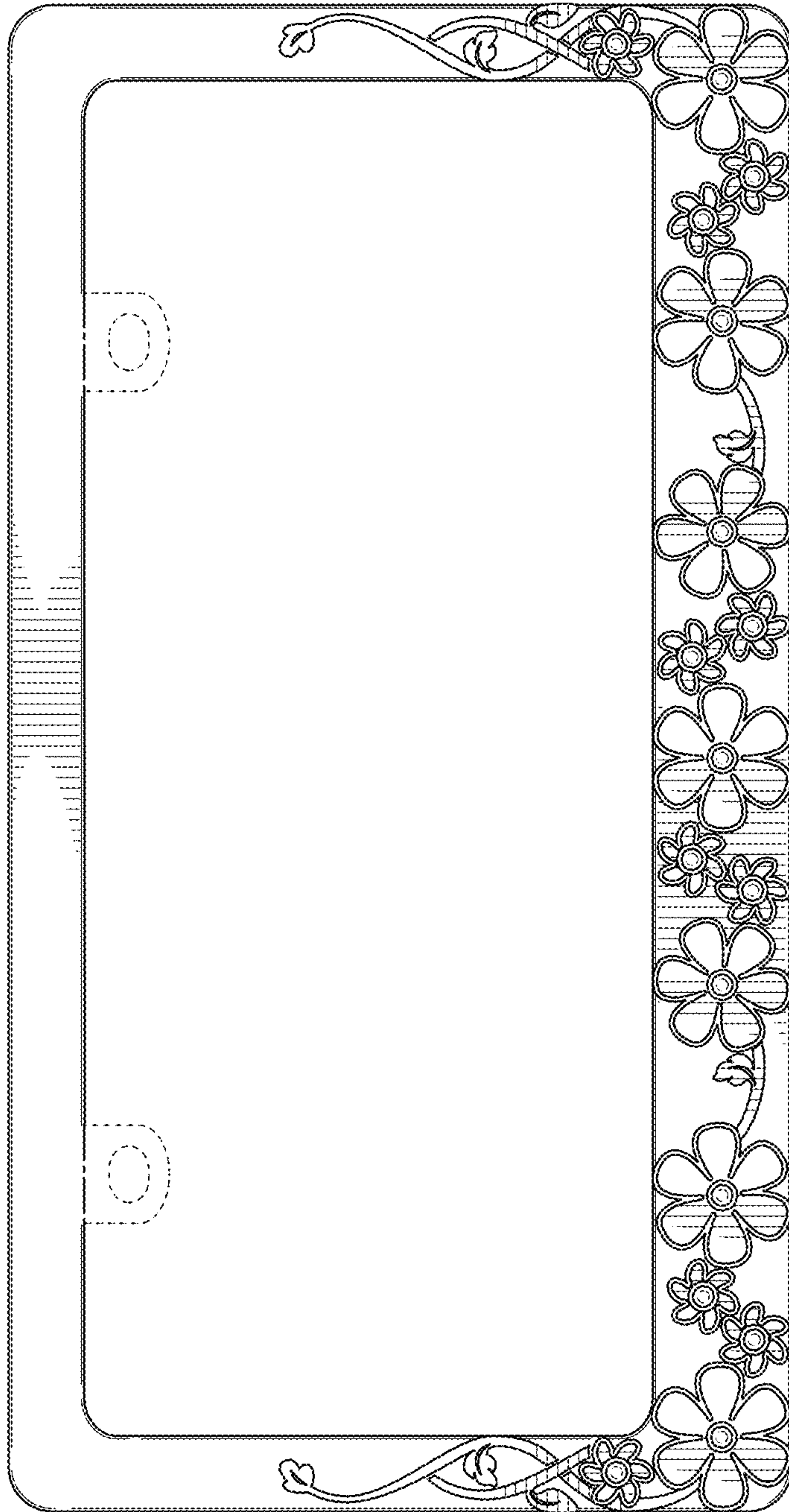


FIG. 2



FIG. 3

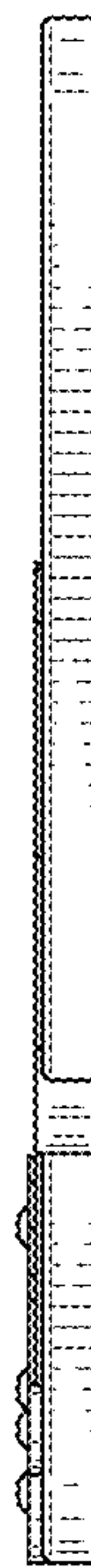


FIG. 4



FIG. 5



FIG. 6