



US00D773365S

(12) **United States Design Patent** (10) **Patent No.:** **US D773,365 S**
Starke et al. (45) **Date of Patent:** **** Dec. 6, 2016**

(54) **LICENSE-PLATE MOUNTING BRACKET**

(71) Applicants: **Johannes Starke**, Ellhofen (DE);
Herbert Reuther, Gommersdorf (DE)

(72) Inventors: **Johannes Starke**, Ellhofen (DE);
Herbert Reuther, Gommersdorf (DE)

(73) Assignee: **WUERTH INTERNATIONAL AG**,
Chur (CH)

(**) Term: **14 Years**

(21) Appl. No.: **29/508,881**

(22) Filed: **Nov. 12, 2014**

(30) **Foreign Application Priority Data**

May 13, 2014 (EM) 002462671-0001
May 13, 2014 (EM) 002462671-0002

(51) **LOC (10) Cl.** **12-16**

(52) **U.S. Cl.**
USPC **D12/193**

(58) **Field of Classification Search**
USPC 2/418; 123/195 A, 456, 468; 248/200,
248/201, 312; 439/532; D8/363; D14/451,
452; 224/275; D12/193, 223
CPC A42B 3/14; A62B 25/00; B60R 11/0264;
E03C 1/322; F02M 55/004; H01R 9/2416;
F16M 13/02; F16M 11/24
See application file for complete search history.

(56) **References Cited**

U.S. PATENT DOCUMENTS

1,446,302 A * 2/1923 Henry E03C 1/322
248/200
D379,611 S * 6/1997 Berry, Jr. D12/193
6,027,368 A * 2/2000 Daoud H01R 9/2416
439/532
6,405,713 B1 * 6/2002 Scollard F02M 55/004
123/468

(Continued)

OTHER PUBLICATIONS

“Marine Raider Trailer Accessories Plastic License Plate Holder”
Sep. 9, 2015, Academy Sports + Outdoors, site visited Aug. 12,
2016 <<http://web.archive.org/web/20150909202129/http://www.academy.com/shop/pdp/marine-raider-trailer-accessories-plastic-license-plate-holder>>.*

(Continued)

Primary Examiner — Kevin Rudzinski

Assistant Examiner — Paul Bohannon

(74) *Attorney, Agent, or Firm* — Andrew Wilford

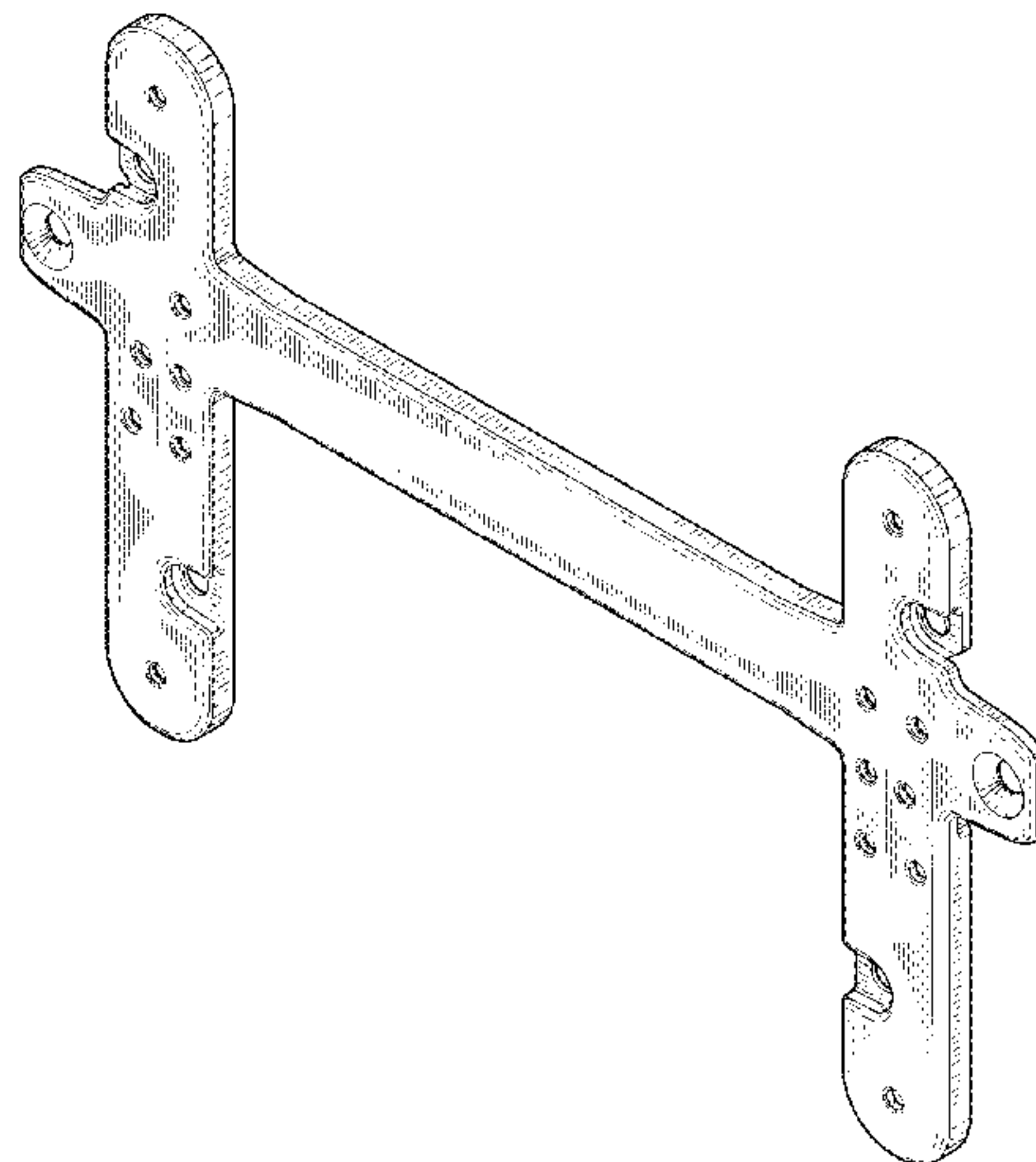
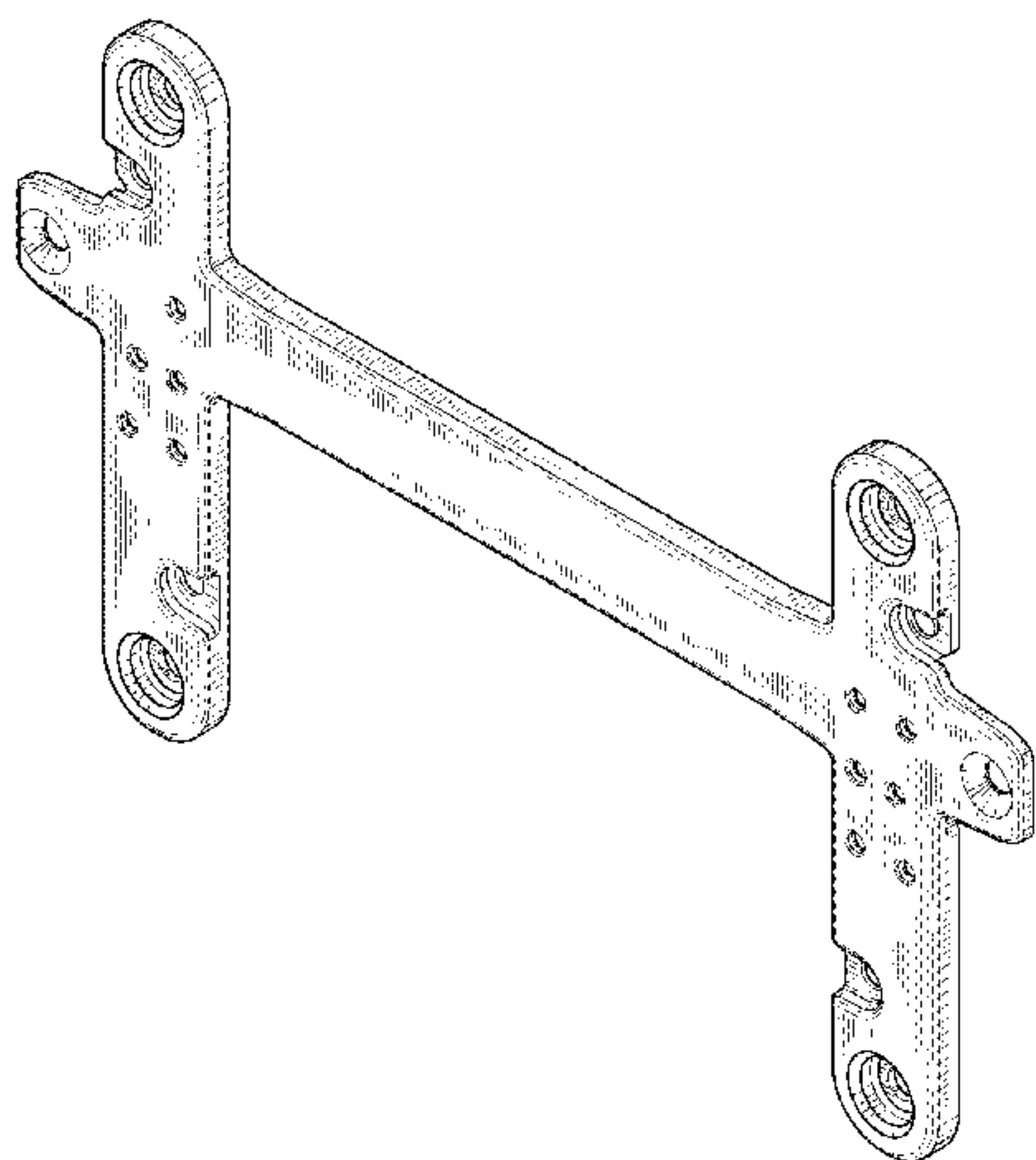
(57) **CLAIM**

The ornamental design for a license-plate mounting bracket,
as shown and described.

DESCRIPTION

FIG. 1 is a perspective view of a license-plate mounting bracket;
FIG. 2 is a front elevation view thereof;
FIG. 3 is a top plan view thereof, the bottom plan view being
a mirror image thereof;
FIG. 4 is a rear elevation view thereof;
FIG. 5 is a left-side elevation view thereof;
FIG. 6 is a right-side elevation view thereof;
FIG. 7 is a perspective view of a second embodiment of our
design;
FIG. 8 is a front elevation view thereof;
FIG. 9 is a top plan view thereof, the bottom plan view being
a mirror image thereof;
FIG. 10 is a rear elevation view thereof;
FIG. 11 is a left-side elevation view thereof; and,
FIG. 12 is a right-side elevation view thereof.
The broken line showing of structure on the rear of the
license-plate mounting bracket is included for the purpose of
illustrating portions of the article and forms no part of the
claimed design.

1 Claim, 8 Drawing Sheets



(56)

References Cited

U.S. PATENT DOCUMENTS

6,408,827 B1 * 6/2002 Scollard F02M 55/004
123/195 A
6,449,776 B1 * 9/2002 Musal A42B 3/14
2/418
D493,800 S * 8/2004 Pfister D14/451
D529,849 S * 10/2006 Kellermann D12/193
D539,208 S * 3/2007 Reimitz D12/223
D539,636 S * 4/2007 Bremmon D8/363
D563,416 S * 3/2008 Bremmon D14/452
D580,445 S * 11/2008 Bremmon D14/451
7,942,373 B2 * 5/2011 Bishop F16M 13/02
248/200
8,167,256 B1 * 5/2012 Bishop F16M 11/24
248/200
8,220,764 B2 * 7/2012 Ziaylek A62B 25/00
224/275
D709,816 S * 7/2014 Rohaly D12/223

2002/0029762 A1 * 3/2002 Scollard F02M 55/004
123/456
2002/0112277 A1 * 8/2002 Musal A42B 3/14
2/418
2006/0071131 A1 * 4/2006 Young B60R 11/0264
248/200
2009/0250582 A1 * 10/2009 Ziaylek A62B 25/00
248/312
2010/0084525 A1 * 4/2010 Bishop F16M 13/02
248/201

OTHER PUBLICATIONS

“Audi Platypus Pro-Series License Plate Mount” Aug. 10, 2014, Craven Speed, site visited Aug. 12, 2016 <<http://web.archive.org/web/20140810172323/http://www.cravenspeed.com/audi-platypus-pro-series-license-plate-mount/>>.*

* cited by examiner

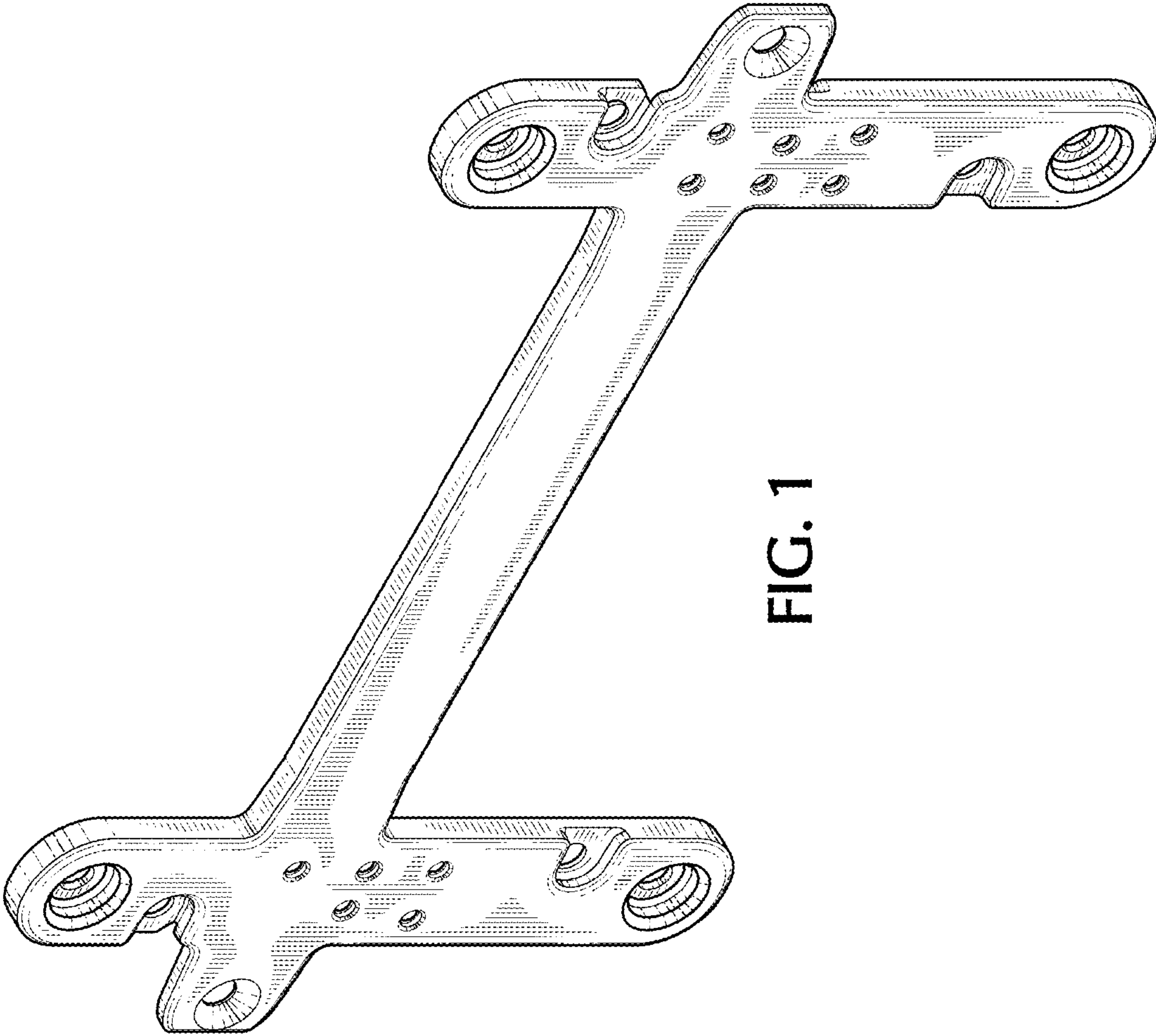


FIG. 1

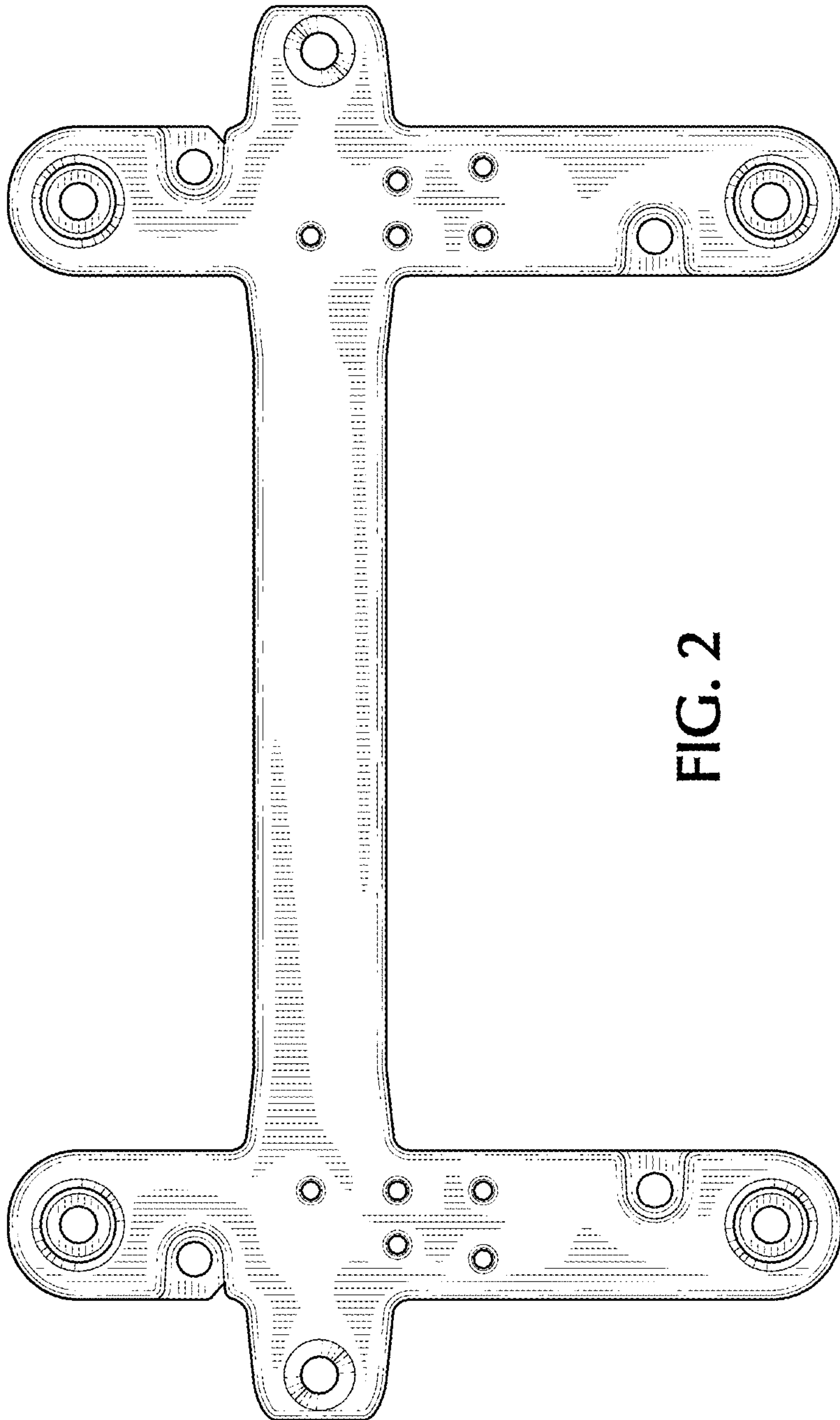


FIG. 2



FIG. 3

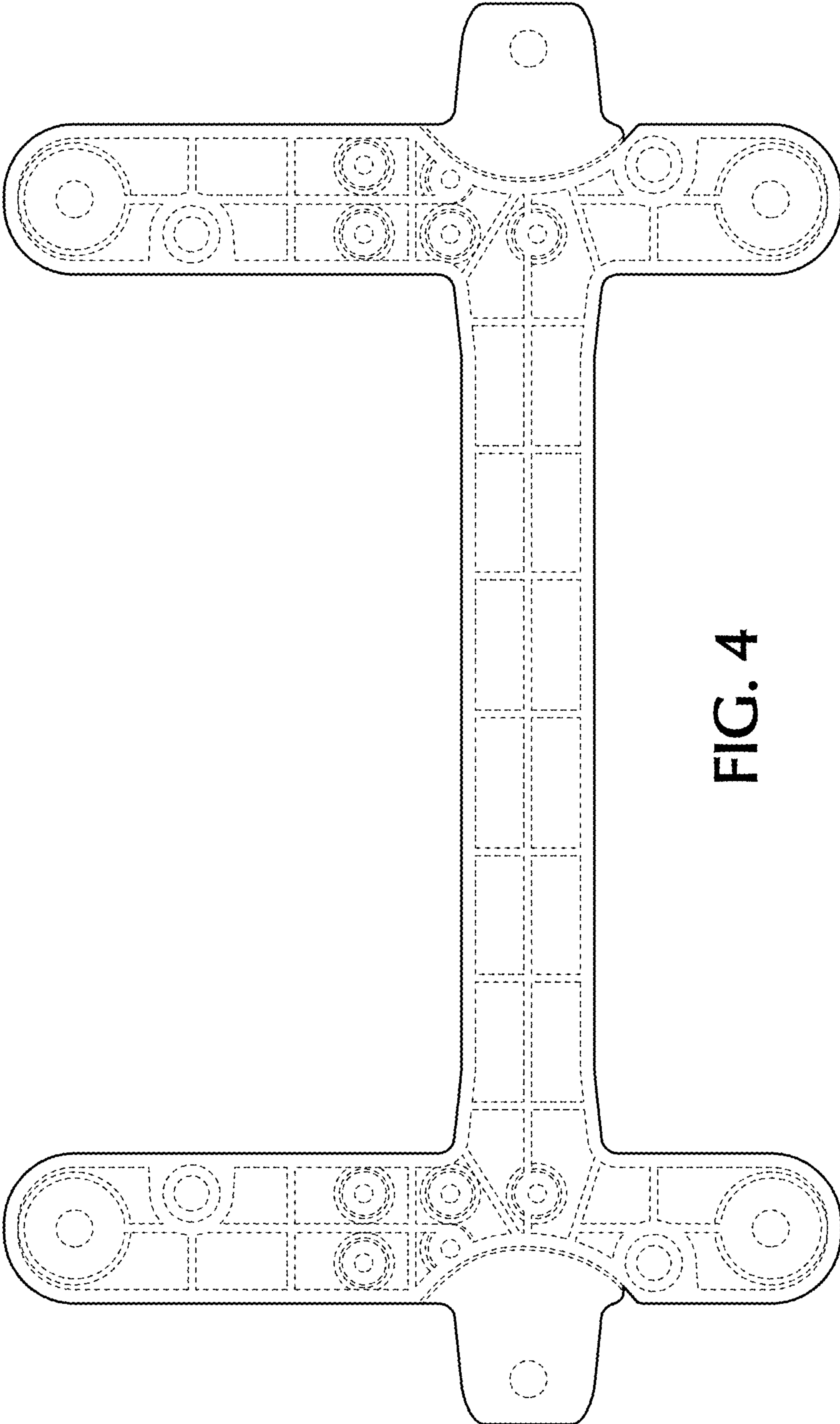


FIG. 4



FIG. 6



FIG. 5

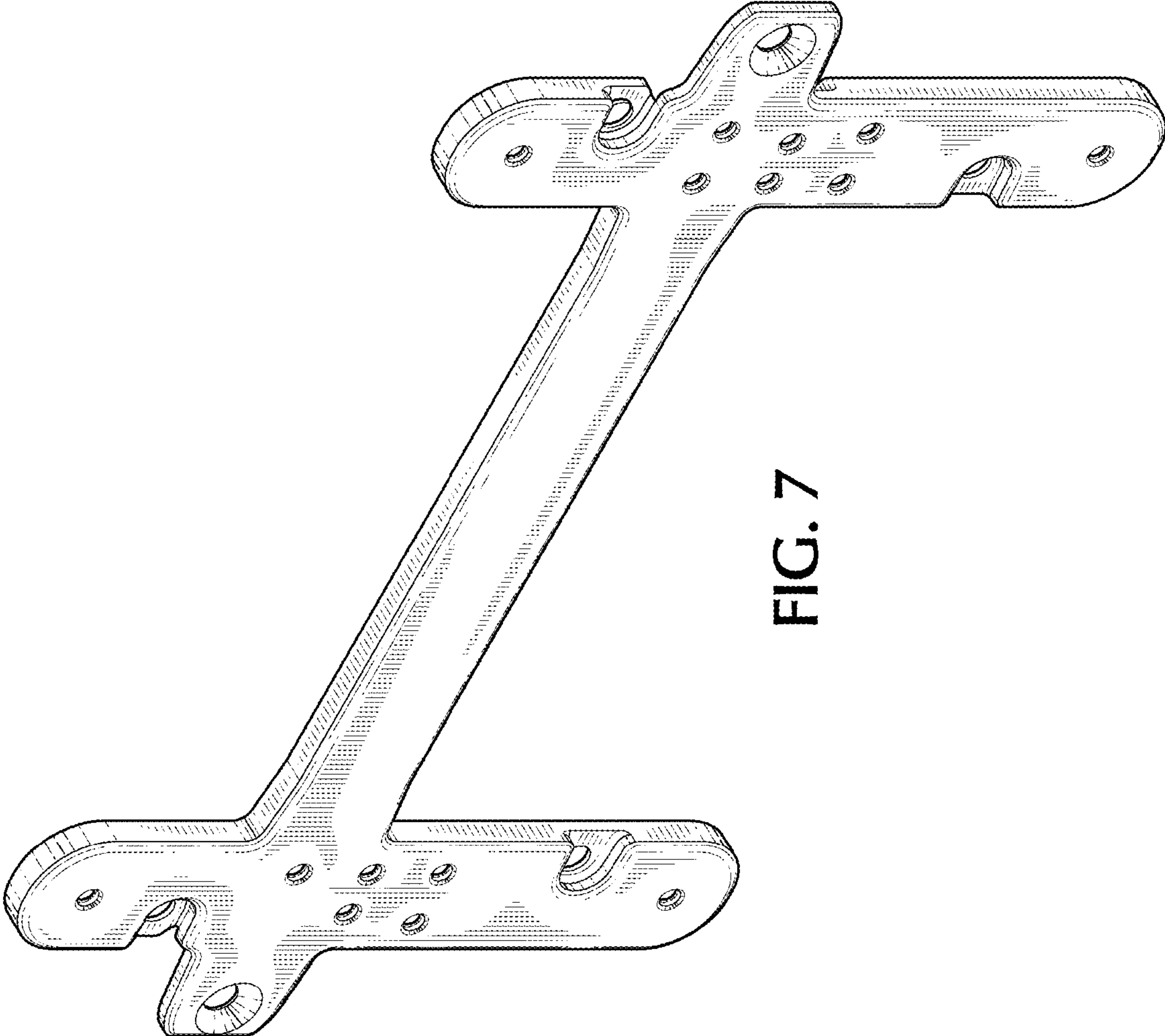


FIG. 7

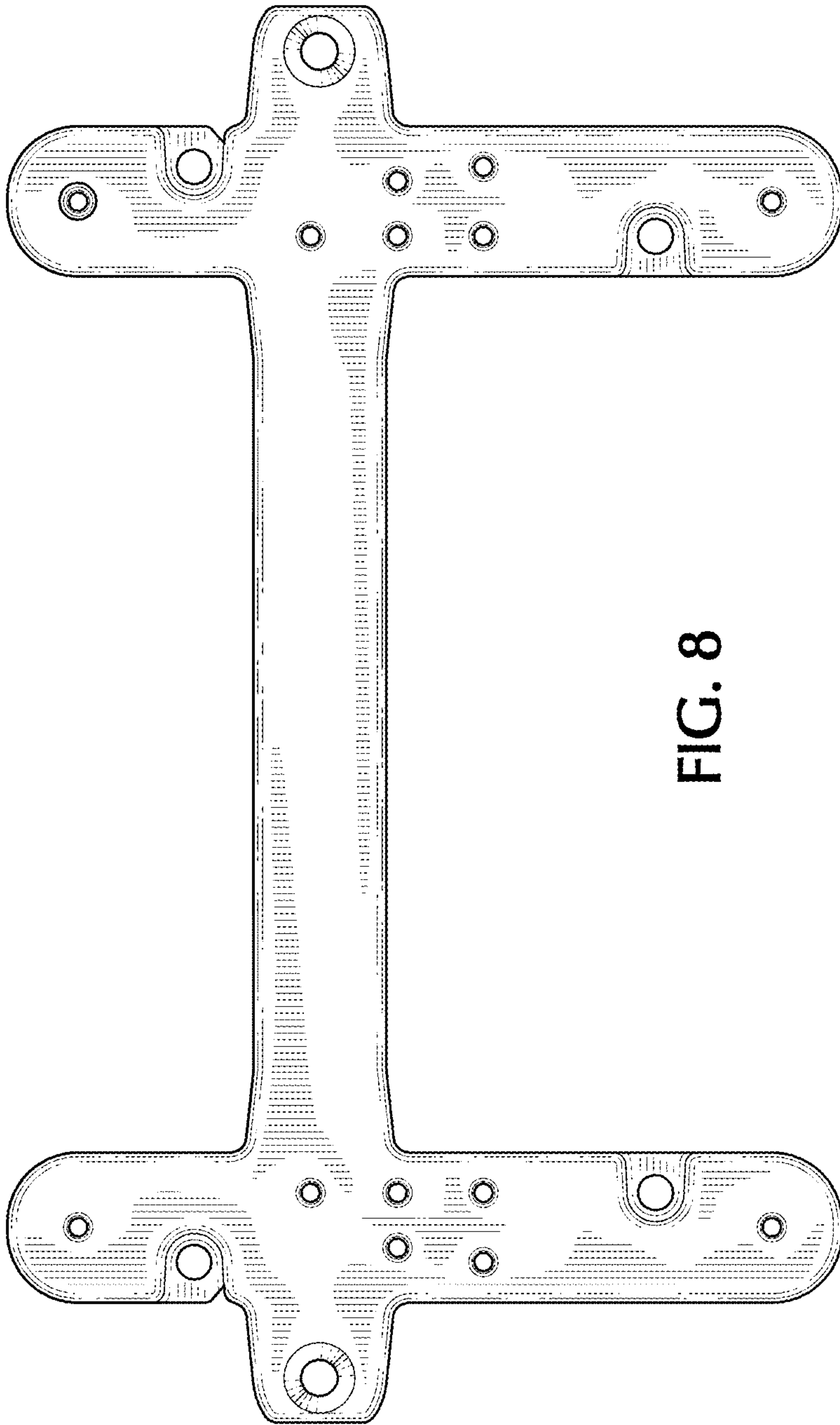


FIG. 8



FIG. 9

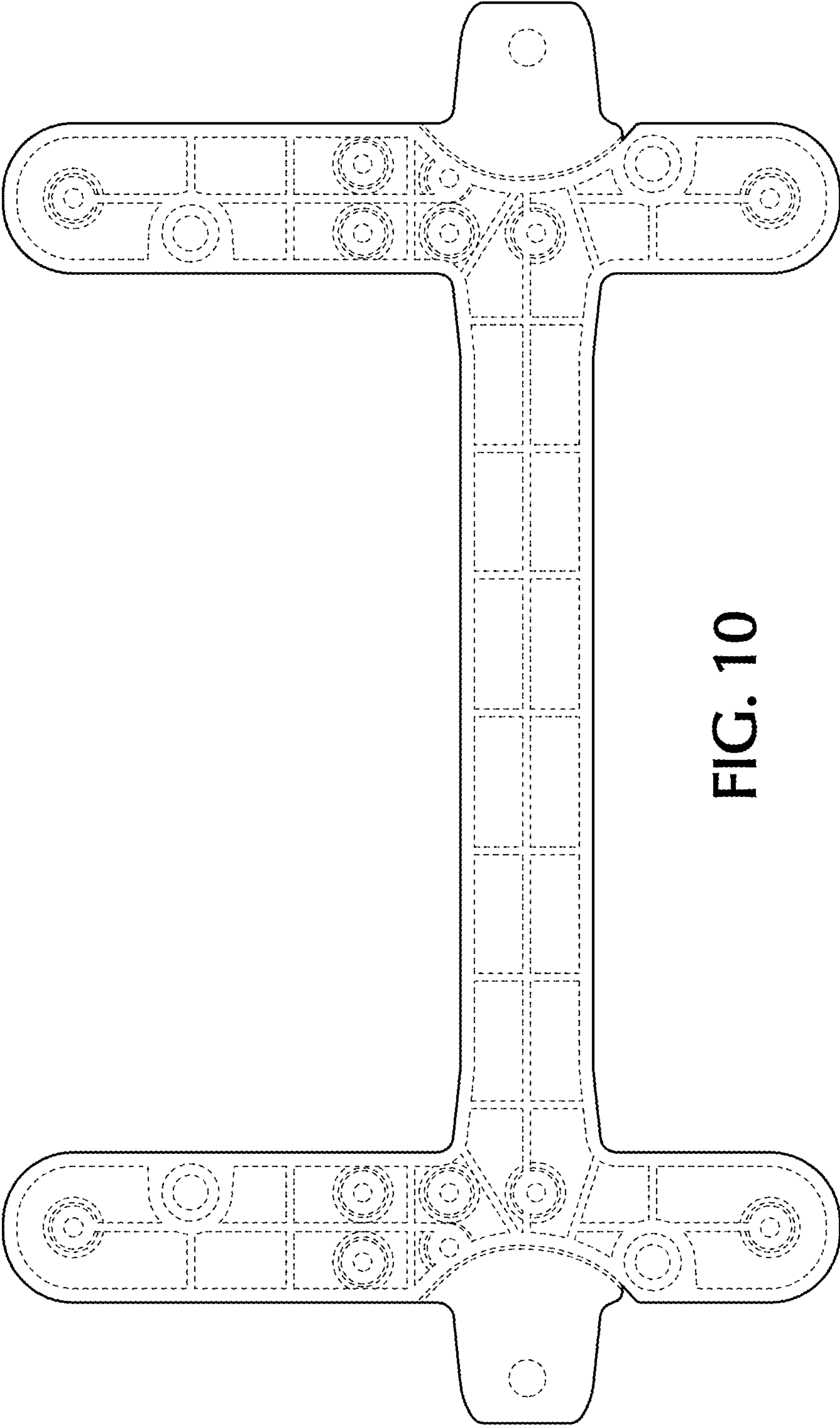


FIG. 10



FIG. 12

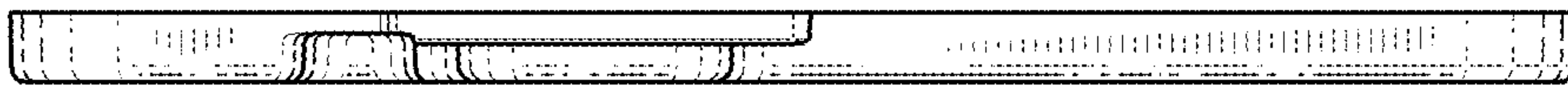


FIG. 11