



US00D773364S

(12) **United States Design Patent** (10) **Patent No.:** **US D773,364 S**
Yoshimine et al. (45) **Date of Patent:** **** Dec. 6, 2016**

(54) **AUTOMOBILE**
(71) Applicant: **mitsubishi JIDOSHA KOGYO KABUSHIKI KAISHA**, Tokyo (JP)
(72) Inventors: **Norihiko Yoshimine**, Nagoya (JP); **Yuichiro Ishizuka**, Nagoya (JP)
(73) Assignee: **mitsubishi JIDOSHA KOGYO KABUSHIKI KAISHA**, Tokyo (JP)

D660,754 S * 5/2012 Nakamuta D12/190
D710,264 S * 8/2014 Watkins D12/169
D744,916 S * 12/2015 Curic D12/169
D748,025 S * 1/2016 Yoshimine D12/190
D749,470 S * 2/2016 Behmer D12/169
D753,036 S * 4/2016 Curic D12/169
D757,621 S * 5/2016 Ahn D12/196
D760,136 S * 6/2016 Takahashi D12/190
2006/0255602 A1* 11/2006 Evans B60R 19/18
293/120

* cited by examiner

(**) Term: **14 Years**
(21) Appl. No.: **29/514,195**
(22) Filed: **Jan. 9, 2015**

Primary Examiner — Katrina A Betton
(74) *Attorney, Agent, or Firm* — Birch, Stewart, Kolasch & Birch, LLP

(30) **Foreign Application Priority Data**

Jul. 22, 2014 (JP) 2014-015828

(51) **LOC (10) Cl.** **12-08**

(52) **U.S. Cl.**
USPC **D12/190**

(58) **Field of Classification Search**
USPC D12/190, 192, 400, 90, 91, 92, 199, 197, D12/86, 171, 169, 163, 110, 114
CPC B60R 2013/0293; B60R 13/043
See application file for complete search history.

(56) **References Cited**

U.S. PATENT DOCUMENTS

D291,680 S * 9/1987 Everts D12/170
D584,996 S 1/2009 Jamieson et al.

(57) **CLAIM**

The ornamental design for an automobile, as shown and described.

DESCRIPTION

FIG. 1 is a perspective view of the front, top and right side of an automobile showing our new design;
FIG. 2 is a front view thereof;
FIG. 3 is a rear view thereof;
FIG. 4 is a left side view thereof;
FIG. 5 is a right side view thereof; and,
FIG. 6 is a top plan view thereof.
The bottom is unornamental.

1 Claim, 6 Drawing Sheets

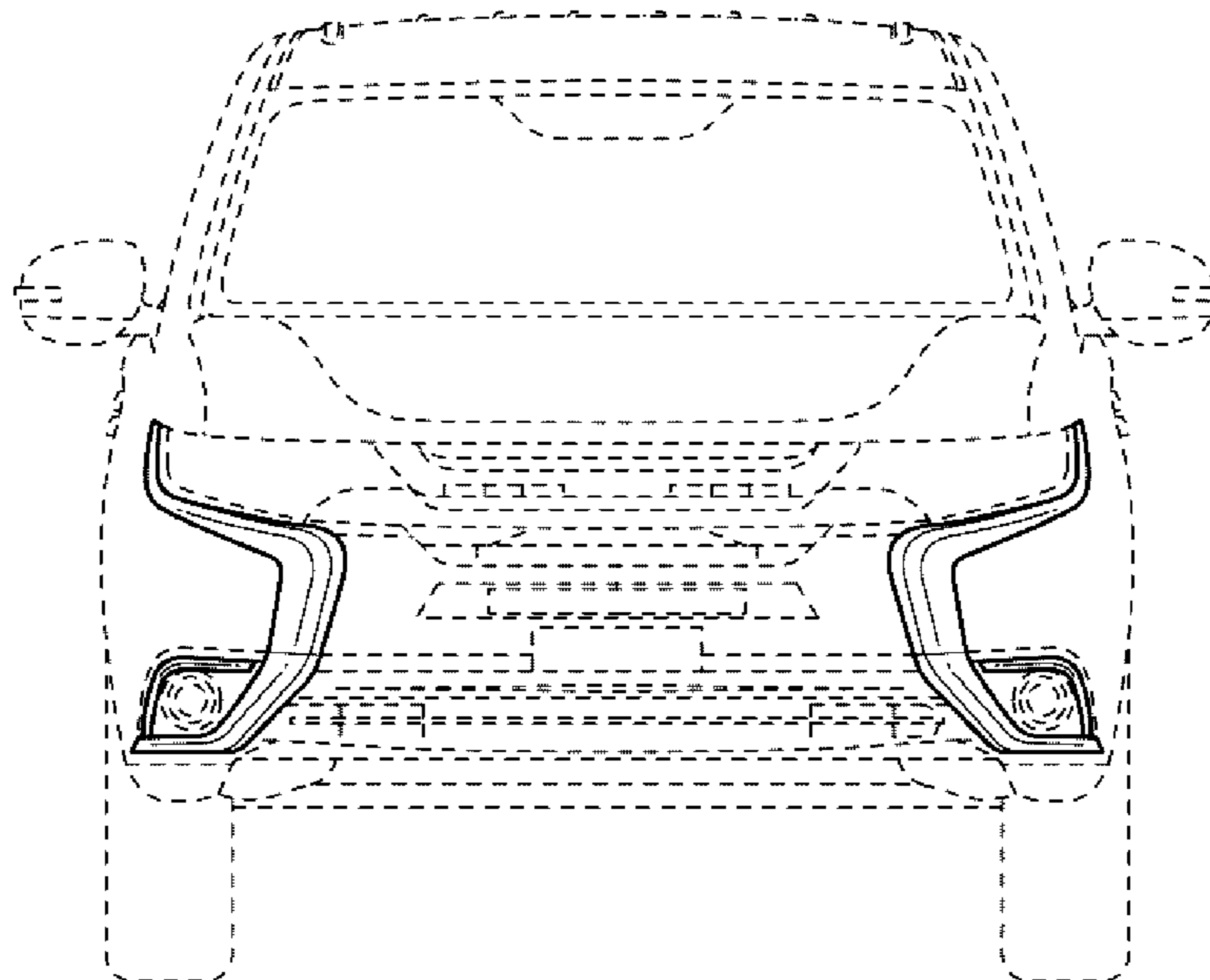


Fig. 1

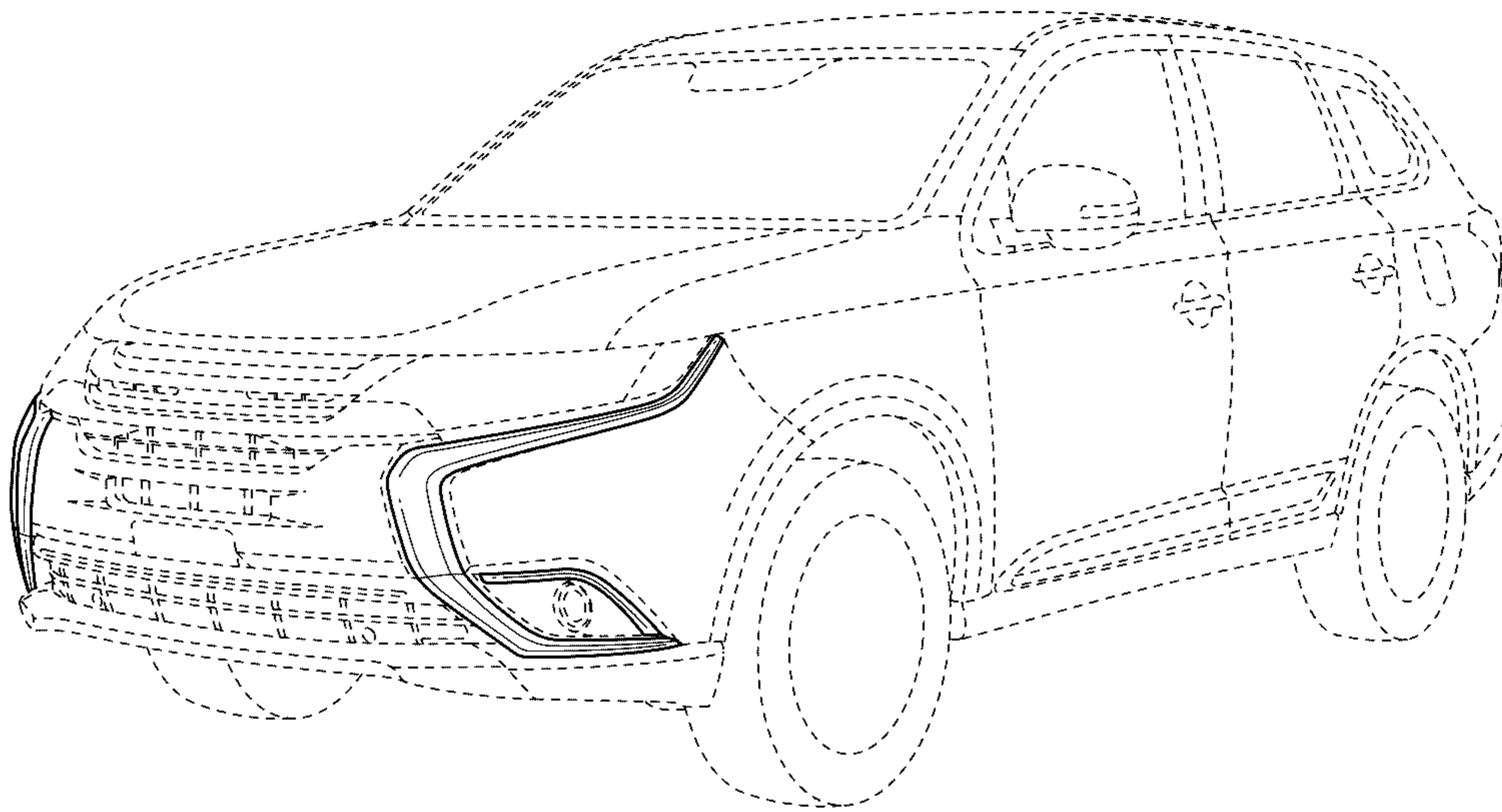


Fig. 2

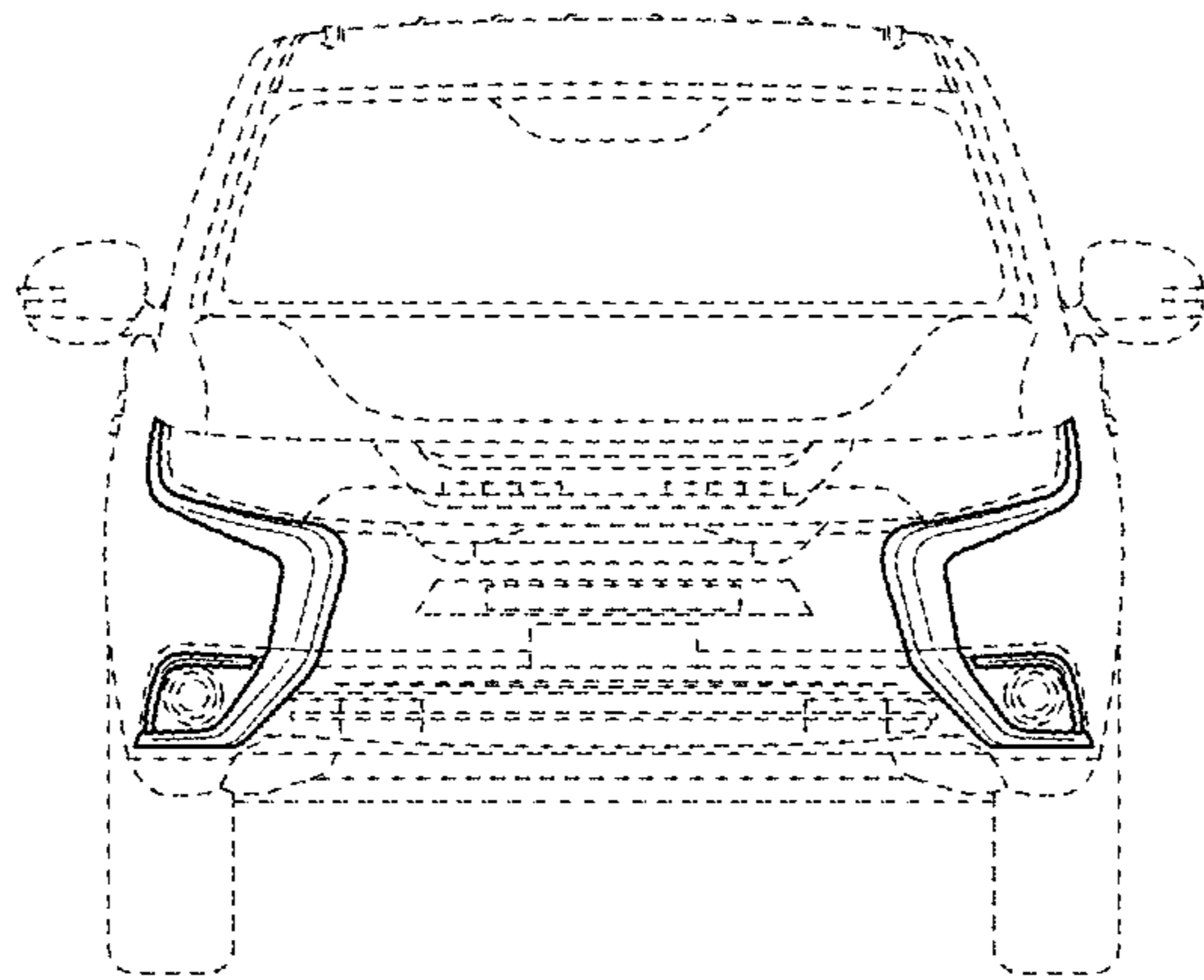


Fig. 3

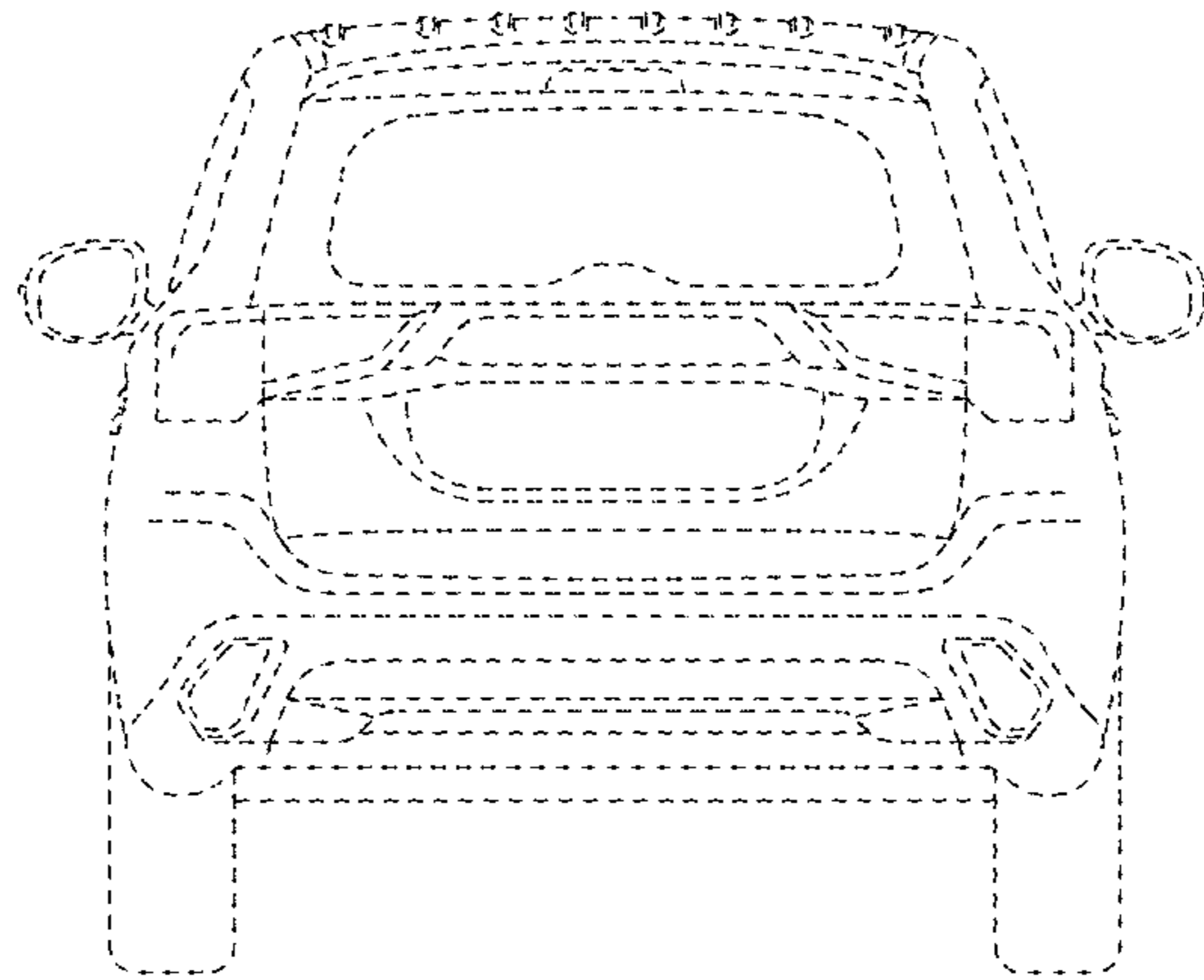


Fig. 4

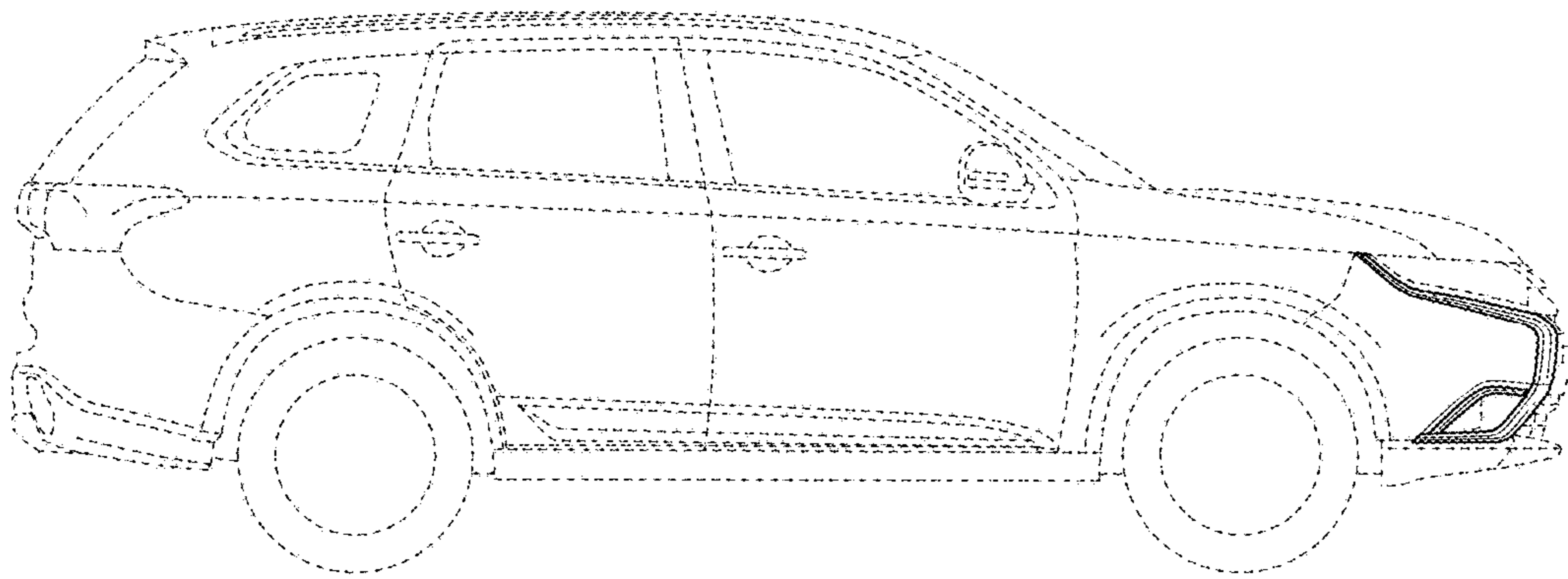


Fig. 5

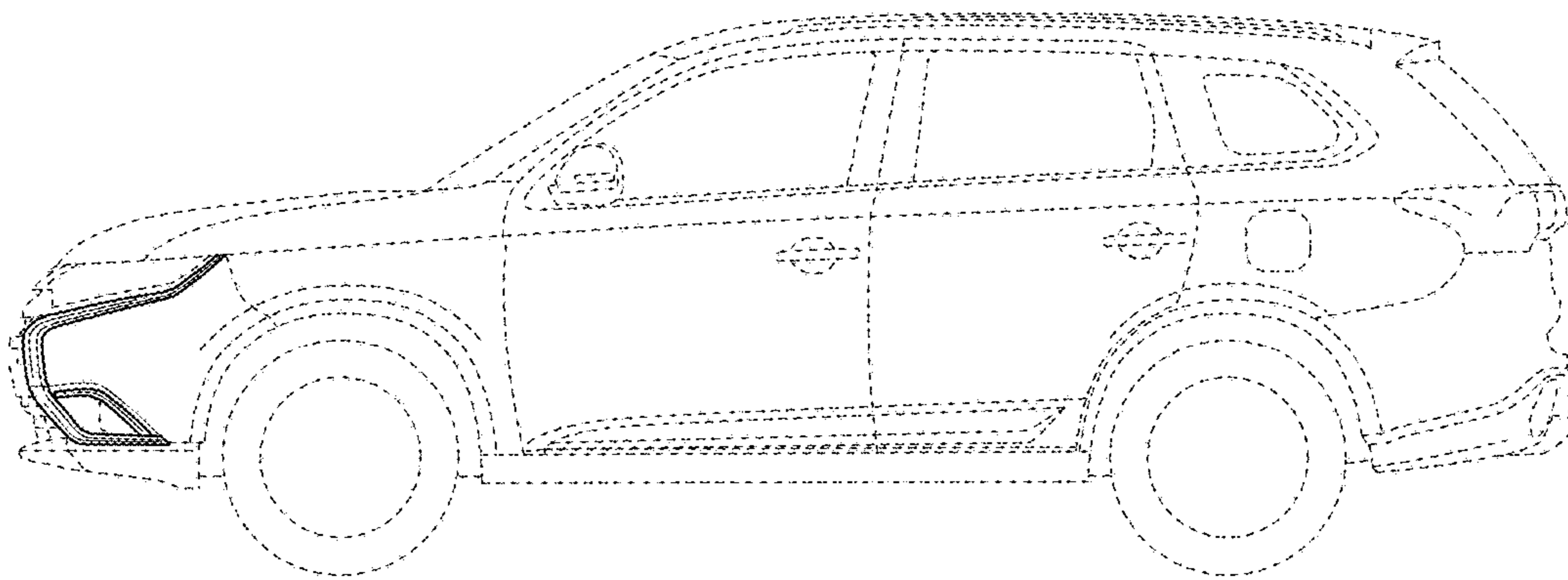


Fig. 6

