



US00D773363S

(12) **United States Design Patent** (10) **Patent No.:** **US D773,363 S**  
**Brawner** (45) **Date of Patent:** **\*\* \*Dec. 6, 2016**

(54) **CAMERA MOUNT FOR A REARVIEW MIRROR**

(71) Applicant: **Atom Enterprises, Inc.**, Orlando, FL (US)

(72) Inventor: **Jeffrey D. Brawner**, Tampa, FL (US)

(\* ) Notice: This patent is subject to a terminal disclaimer.

(\*\*) Term: **14 Years**

(21) Appl. No.: **29/479,528**

(22) Filed: **Jan. 17, 2014**

(51) **LOC (10) Cl.** ..... **12-16**

(52) **U.S. Cl.**  
USPC ..... **D12/188**

(58) **Field of Classification Search**  
USPC D8/349, 354, 373, 382, 394; D12/187-189;  
D16/242, 243, 244, 245; 248/183.2, 187.1  
CPC .... B60R 11/04; B60R 1/04; B60R 2001/1253;  
B60R 1/12; B60R 11/0241; F16M 11/04;  
F16M 13/00; F16M 13/02  
See application file for complete search history.

(56) **References Cited**

**U.S. PATENT DOCUMENTS**

1,460,816	A *	7/1923	Kroedel	396/348
D196,142	S *	8/1963	Storm et al.	D8/394
3,928,894	A *	12/1975	Bury et al.	248/467
D301,545	S *	6/1989	Wrigley	D8/382
D312,617	S *	12/1990	Makita et al.	D13/154
D337,043	S *	7/1993	Barnes	D8/373
5,308,247	A *	5/1994	Dyrdek	439/34
5,347,691	A *	9/1994	Terazoe	24/295

D380,374	S *	7/1997	Murakami	D8/382
D404,753	S *	1/1999	Mascarenas et al.	D16/242
D433,436	S *	11/2000	Unertl	D16/242
6,202,976	B1 *	3/2001	Johnson et al.	248/476
7,753,330	B2 *	7/2010	Brief	248/278.1
8,356,948	B2 *	1/2013	Onishi et al.	396/419
8,701,452	B2 *	4/2014	Foster et al.	70/19
8,727,192	B2 *	5/2014	Lai	224/420
9,004,434	B2 *	4/2015	Kang et al.	248/316.4
D730,787	S *	6/2015	Kwon	D12/167
D732,929	S *	6/2015	Harrow	D8/354
9,080,714	B2 *	7/2015	Minn et al.	
9,080,716	B2 *	7/2015	Mulhern	

\* cited by examiner

*Primary Examiner* — Elizabeth Albert  
(74) *Attorney, Agent, or Firm* — Maxey Law Offices, PLLC; Stephen Lewellyn

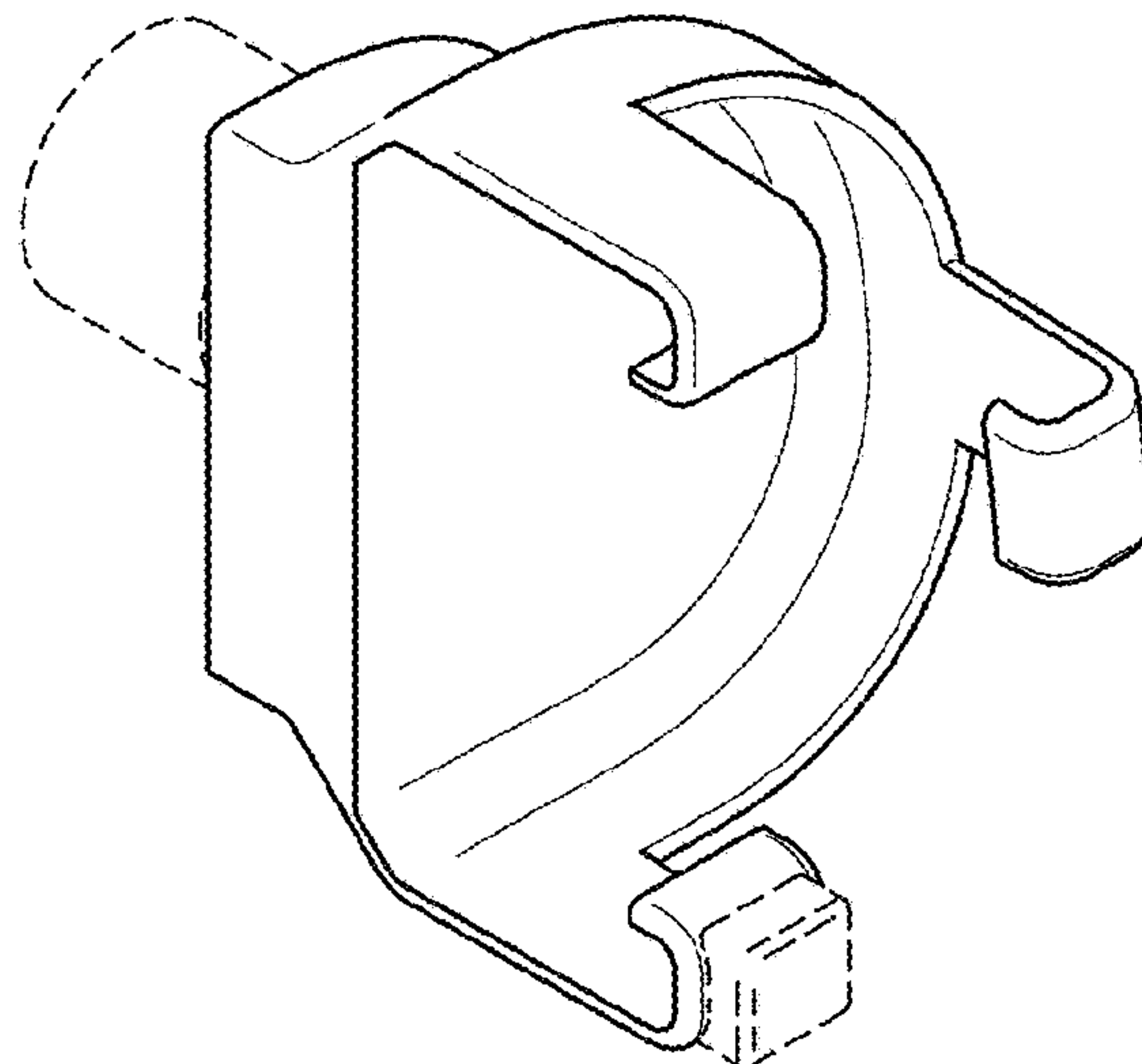
(57) **CLAIM**

The ornamental design for a camera mount for a rearview mirror, as shown and described.

**DESCRIPTION**

FIG. 1 is a rear perspective view of a camera mount for a rearview mirror showing my new design;  
FIG. 2 is a front elevation view of FIG. 1;  
FIG. 3 is a rear elevation view of FIG. 1;  
FIG. 4 is a left side elevation view of FIG. 1;  
FIG. 5 is a right side elevation view of FIG. 1;  
FIG. 6 is a top plan view of FIG. 1;  
FIG. 7 is a bottom plan view of FIG. 1; and,  
FIG. 8 is a rear perspective view of FIG. 1 shown in use.  
The broken lines in FIGS. 1 through 8 are environmental structure only and form no part of the claimed design.

**1 Claim, 5 Drawing Sheets**



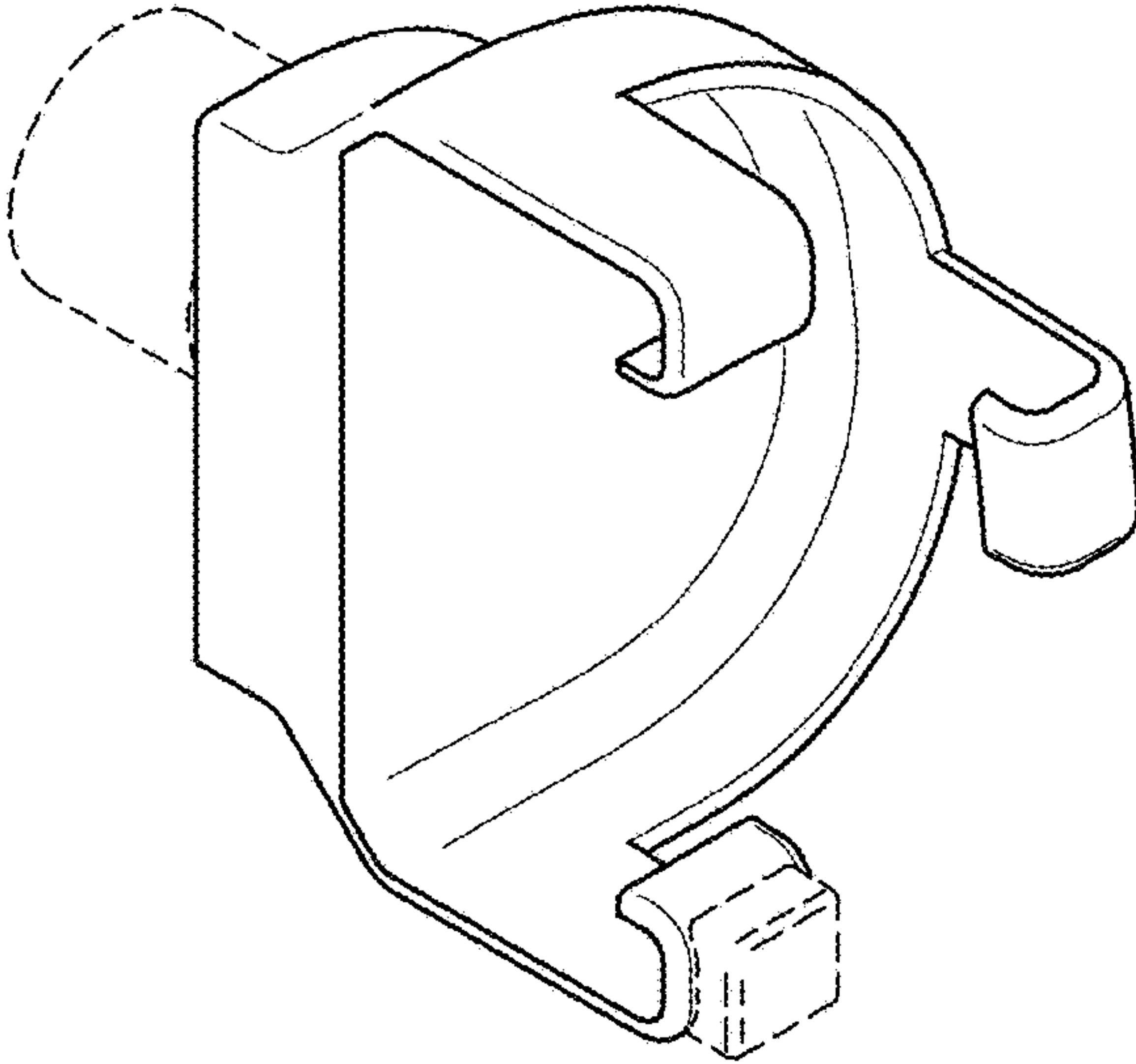


FIG. 1

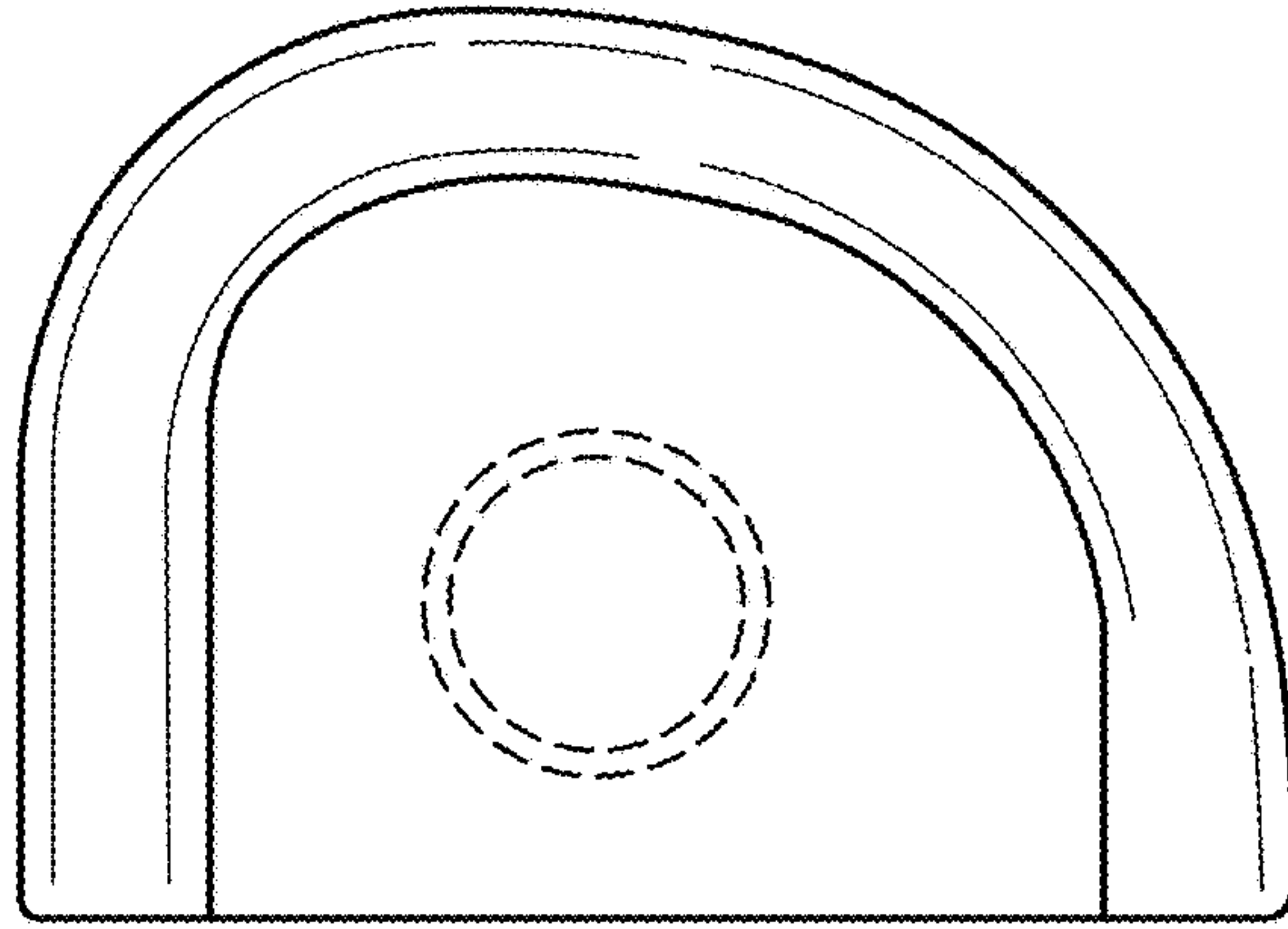


FIG. 2

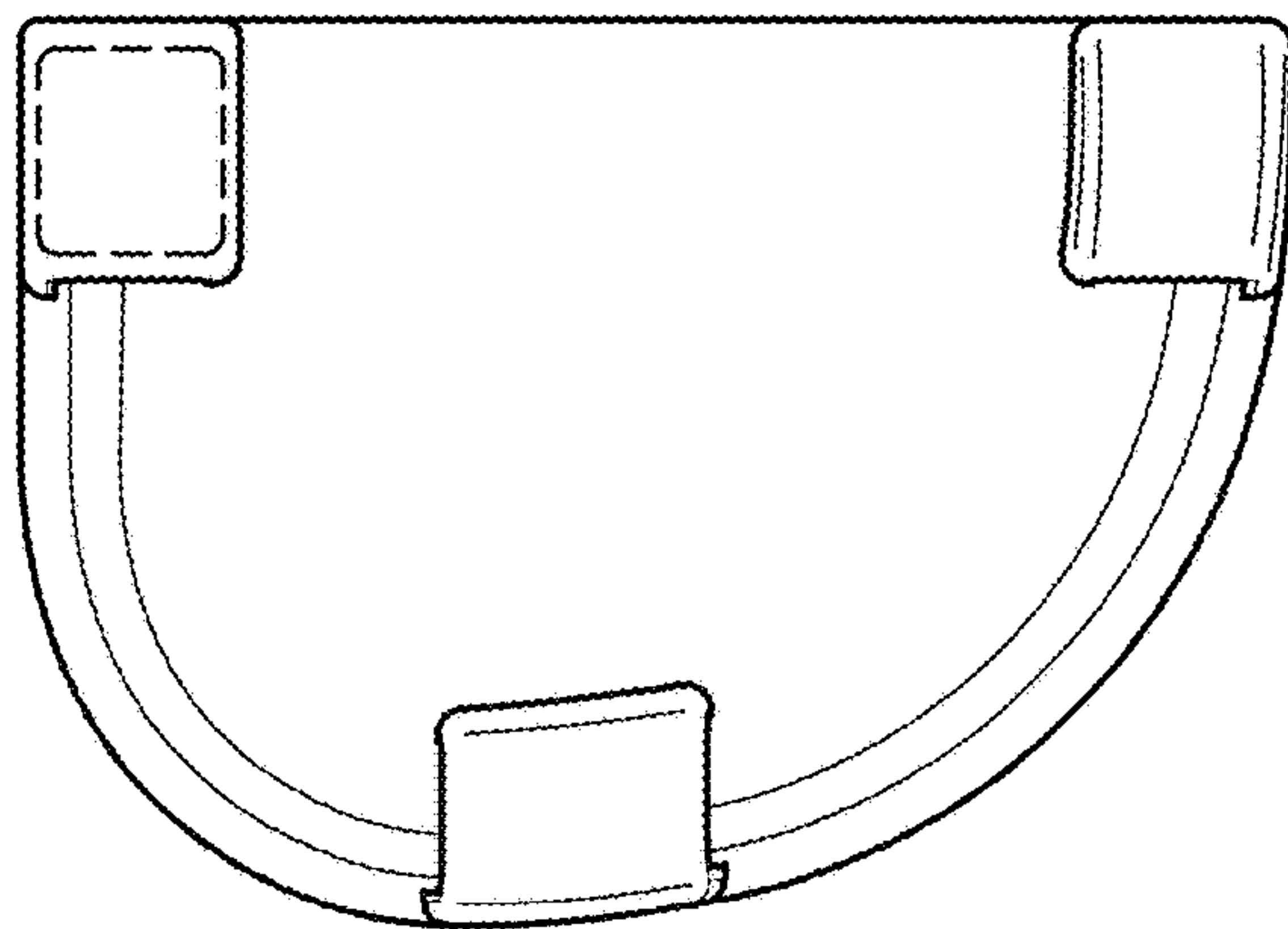


FIG. 3

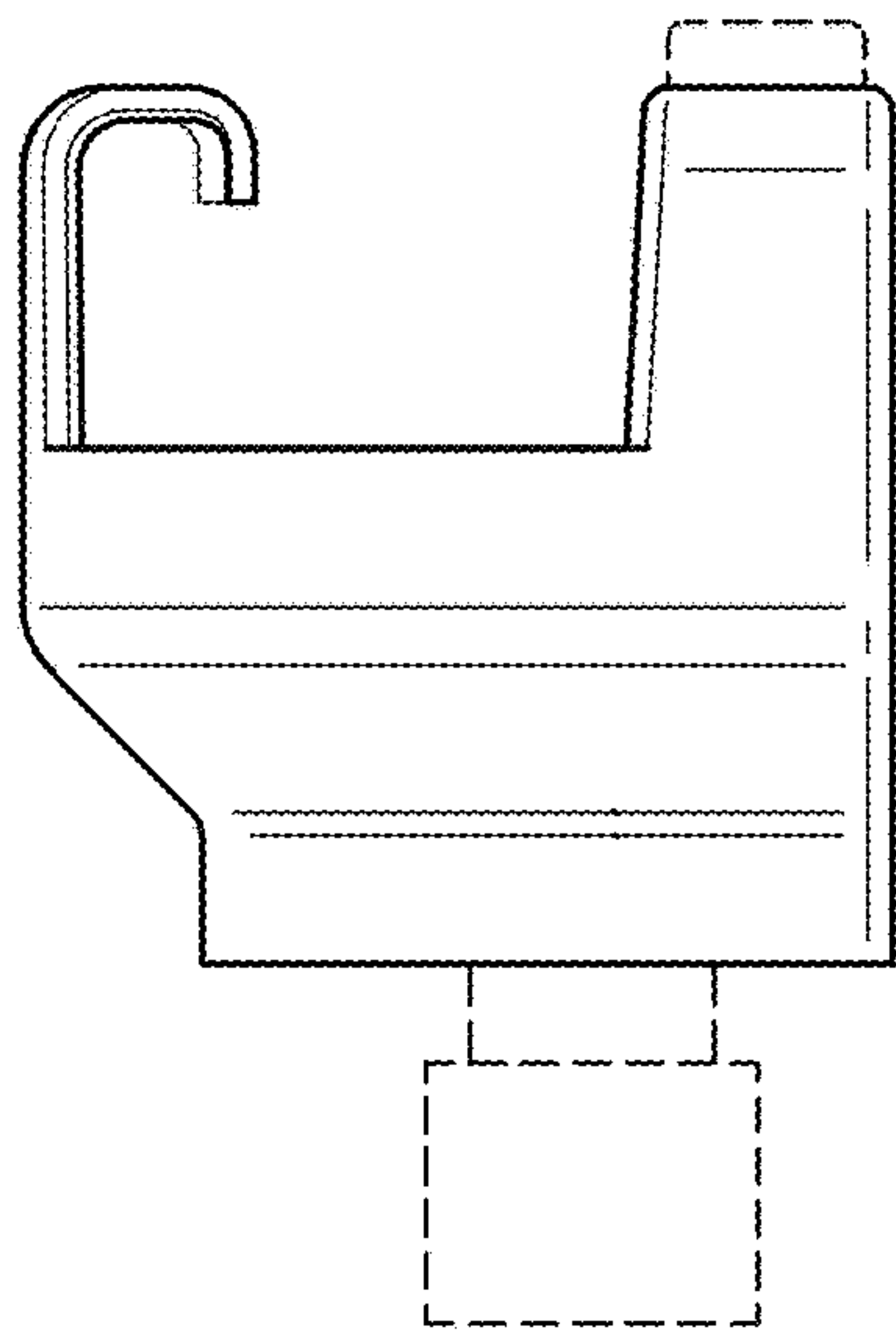


FIG. 4

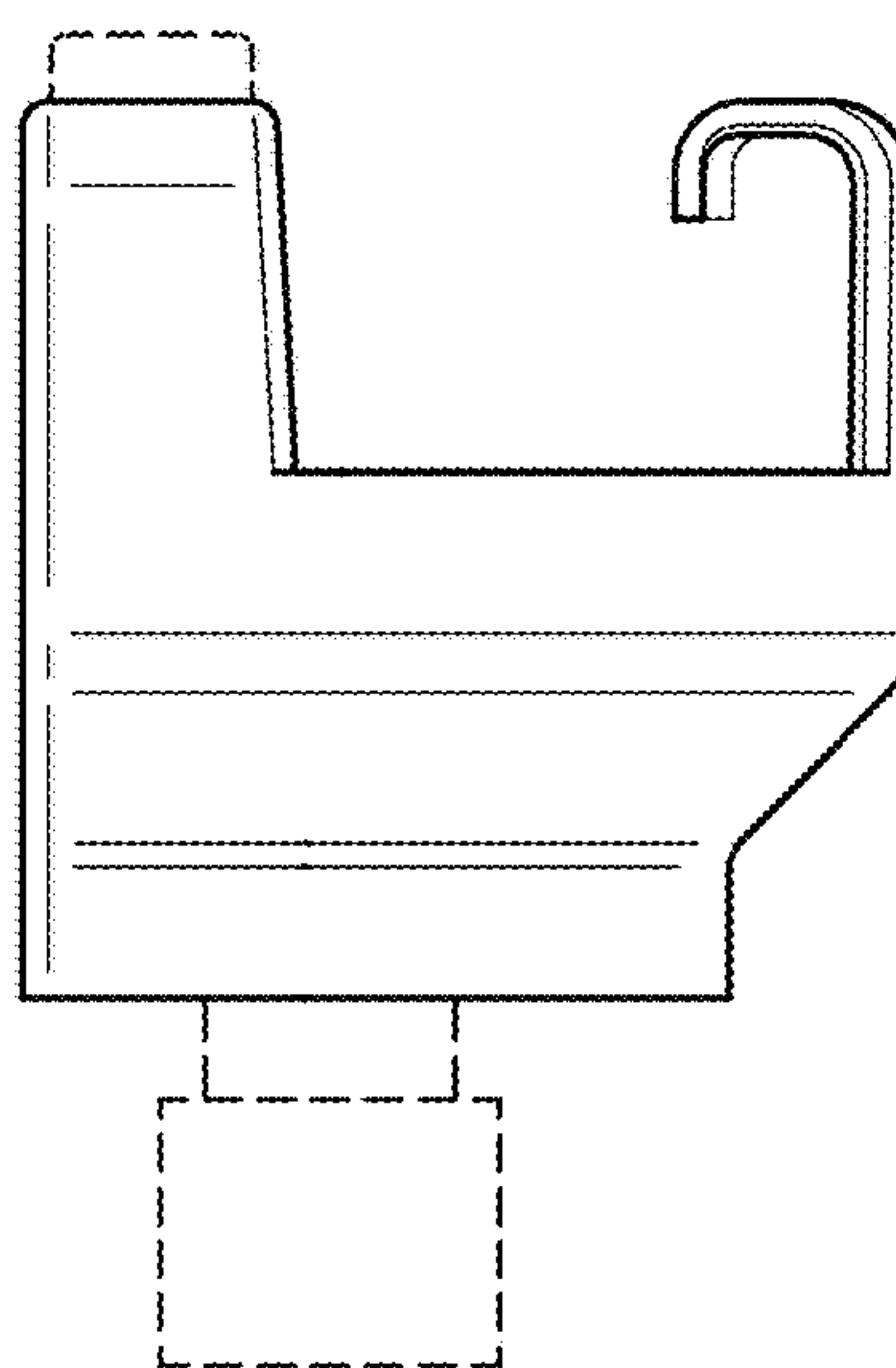


FIG. 5

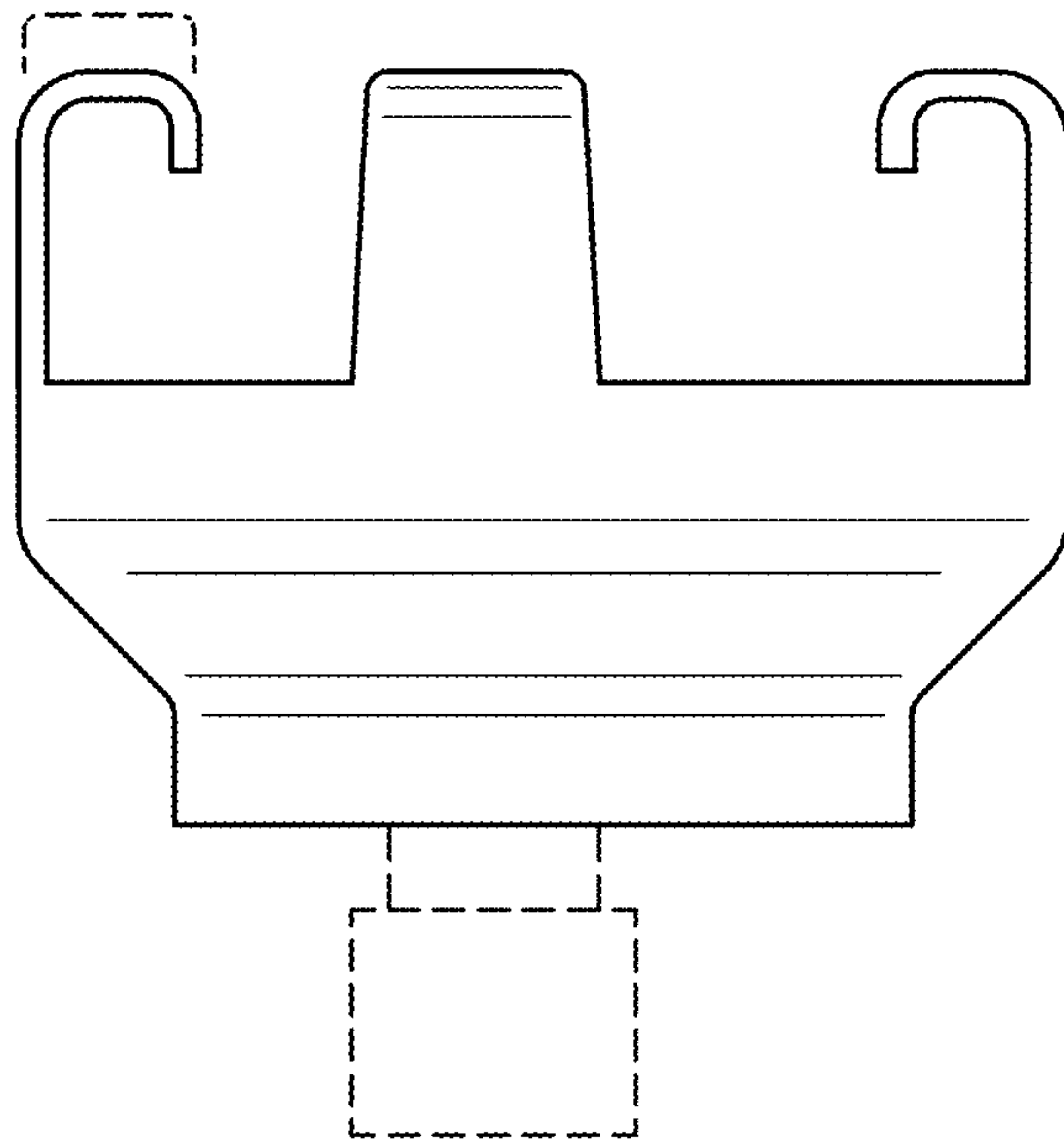


FIG. 6

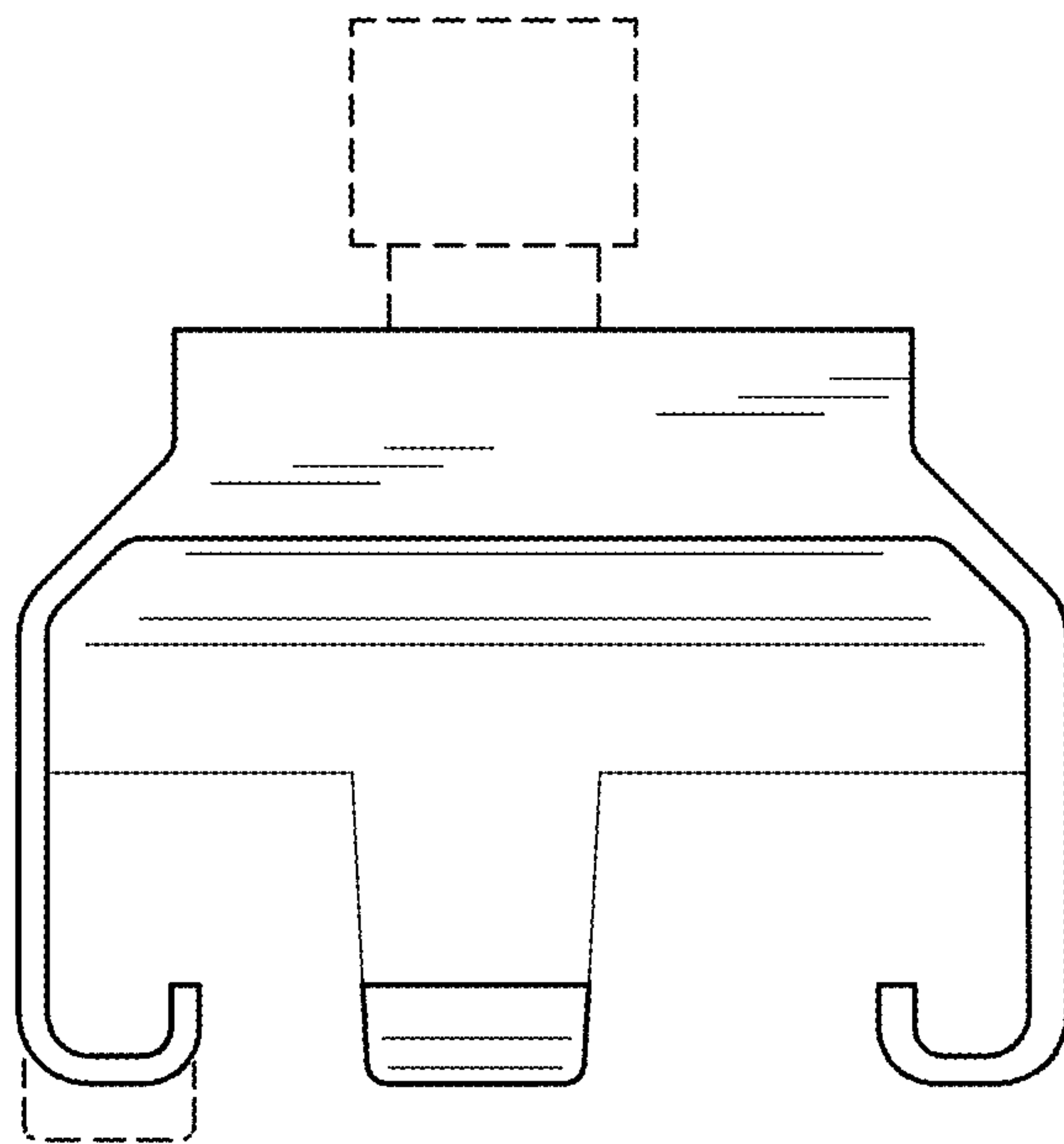


FIG. 7

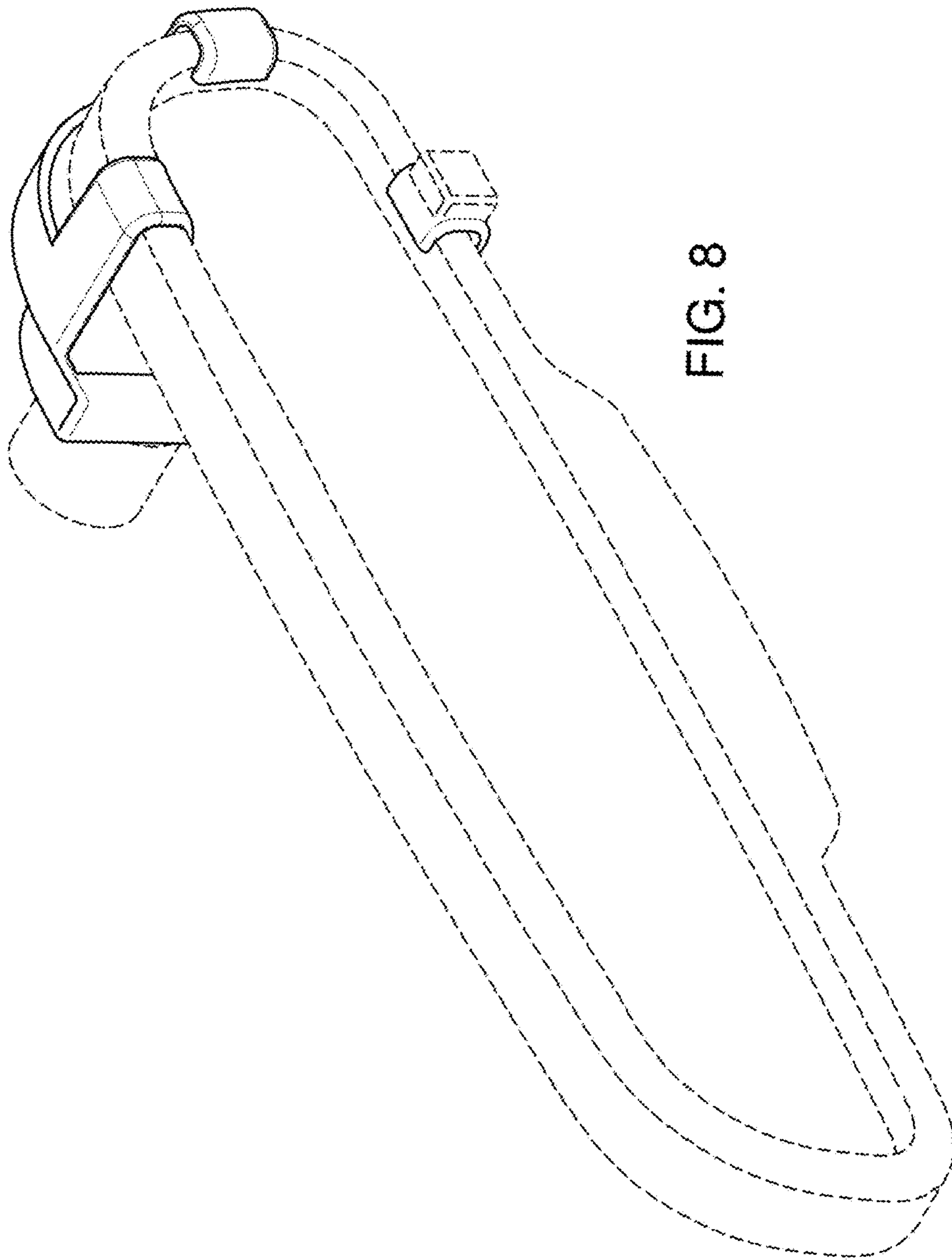


FIG. 8