



US00D773357S

(12) **United States Design Patent** (10) **Patent No.:** **US D773,357 S**  
**Yamashita** (45) **Date of Patent:** **\*\* Dec. 6, 2016**

(54) **FRONT BUMPER ASSEMBLY FOR MOTOR VEHICLE**

(71) Applicant: **Dr. Ing. h.c. F. Porsche Aktiengesellschaft, Stuttgart (DE)**

(72) Inventor: **Shuichi Yamashita, Gerlingen (DE)**

(73) Assignee: **Dr. Ing. h.c. F. Porsche Aktiengesellschaft, Stuttgart (DE)**

(\*\*) Term: **15 Years**

(21) Appl. No.: **29/539,502**

(22) Filed: **Sep. 15, 2015**

(30) **Foreign Application Priority Data**

Mar. 16, 2015 (DE) ..... 40 2015 100 255

(51) **LOC (10) Cl.** ..... **12-08**

(52) **U.S. Cl.**  
USPC ..... **D12/169**

(58) **Field of Classification Search**  
USPC ..... D12/86-92, 163-172; 293/102-155;  
296/35.2, 193.09, 193.1, 203.02  
CPC ..... B60R 19/02; B60R 19/023; B60R 19/18;  
B60R 19/24; B60R 19/44; B60R 19/48;  
B60R 19/56; B60R 2019/527; B60R  
2019/1886

See application file for complete search history.

(56) **References Cited**

**U.S. PATENT DOCUMENTS**

D592,568 S \* 5/2009 Borkert ..... D12/169  
D597,453 S \* 8/2009 Varga ..... D12/169  
D601,468 S \* 10/2009 Varga ..... D12/164  
D605,560 S \* 12/2009 Kulla ..... D12/92  
D607,789 S \* 1/2010 Larson ..... D12/169  
D635,066 S 3/2011 Saracoglu  
D659,593 S \* 5/2012 Robinson ..... D12/92  
D659,603 S 5/2012 Varga

D659,604 S 5/2012 Varga  
D659,606 S 5/2012 Varga  
D659,607 S 5/2012 Robinson  
D666,130 S 8/2012 Varga  
D680,474 S 4/2013 Scheinhutte  
D682,754 S 5/2013 Robinson  
D688,988 S 9/2013 Varga  
D695,161 S 12/2013 Scheinhutte  
D695,163 S 12/2013 Scheinhutte  
D700,547 S 3/2014 Saracoglu

(Continued)

**OTHER PUBLICATIONS**

“2016 Porsche 911 Overview.” thenewswheel.com. Dec. 9, 2015. Accessed Aug. 29, 2016. Available online at URL: <http://thenewswheel.com/2016-porsche-911-overview/front-fascia-of-the-2016-porsche-911/>.\*

(Continued)

*Primary Examiner* — Cathron Brooks

*Assistant Examiner* — Christian P McLean

(74) *Attorney, Agent, or Firm* — RatnerPrestia

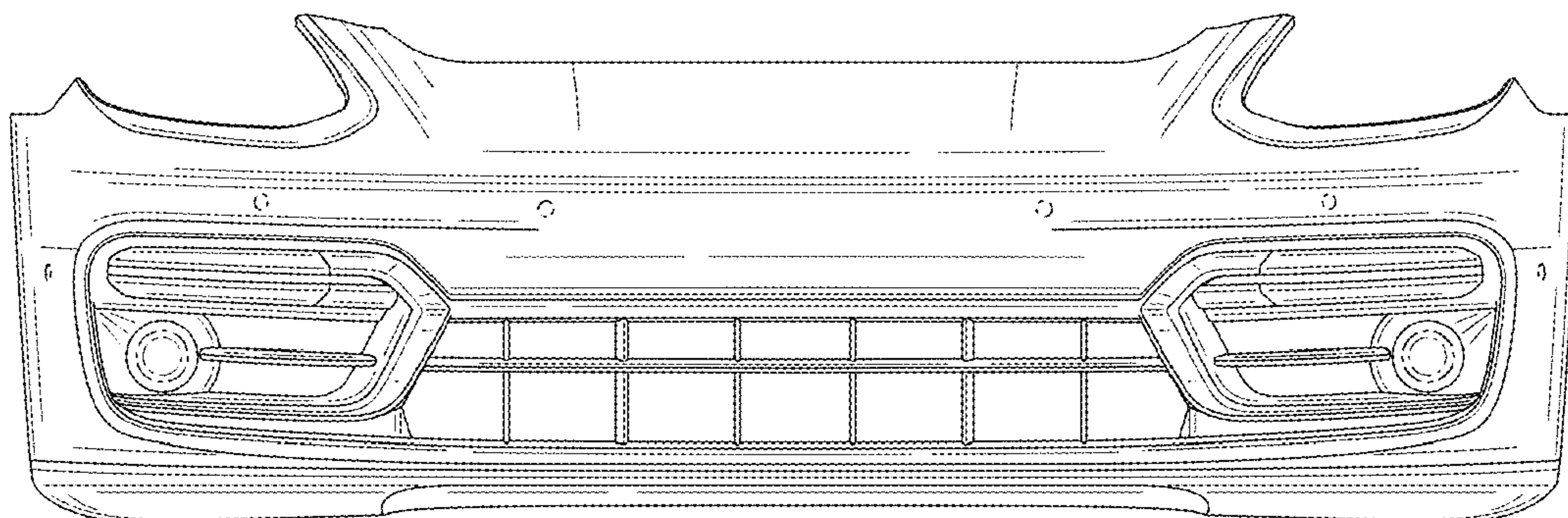
(57) **CLAIM**

The ornamental design for a front bumper assembly for a motor vehicle, as shown and described.

**DESCRIPTION**

FIG. 1 is a perspective view of a front bumper assembly for a motor vehicle;  
FIG. 2 is a front elevation view thereof;  
FIG. 3 is a rear elevation view thereof;  
FIG. 4 is a left elevation view thereof;  
FIG. 5 is a right elevation view thereof;  
FIG. 6 is a top plan view thereof; and,  
FIG. 7 is a bottom plan view thereof.  
The broken lines illustrate portions of the front bumper assembly for a motor vehicle that form no part of the claimed design.

**1 Claim, 6 Drawing Sheets**



(56)

**References Cited**

U.S. PATENT DOCUMENTS

D701,152 S 3/2014 Saracoglu  
 D702,157 S 4/2014 Borkert  
 D702,161 S \* 4/2014 Hanaoka ..... D12/169  
 D703,585 S \* 4/2014 Scheinhutte ..... D12/92  
 D704,099 S \* 5/2014 Varga ..... D12/92  
 D704,106 S 5/2014 Borkert  
 D704,604 S \* 5/2014 Okumoto ..... D12/169  
 D705,131 S \* 5/2014 Larson ..... D12/92  
 D705,138 S 5/2014 Borkert  
 D712,803 S 9/2014 Scheinhutte  
 D712,804 S 9/2014 Scheinhutte  
 D714,696 S 10/2014 Yamashita  
 D719,072 S \* 12/2014 Robinson ..... D12/169  
 D721,021 S \* 1/2015 Hanaoka ..... D12/169  
 D731,927 S \* 6/2015 Robinson ..... D12/92  
 D733,623 S 7/2015 Robinson  
 D733,624 S \* 7/2015 Morikawa ..... D12/169  
 D754,575 S \* 4/2016 Varga ..... D12/169

D762,525 S \* 8/2016 Stopka ..... D12/92  
 D763,737 S \* 8/2016 Varga ..... D12/92  
 D766,785 S \* 9/2016 Varga ..... D12/169  
 D768,040 S \* 10/2016 Stopka ..... D12/169

OTHER PUBLICATIONS

“Porsche 911 Turbo and Turbo S.” caricos.com. Updated Nov. 30, 2015. Accessed Aug. 29, 2016. Available online at URL: <[http://www.caricos.com/cars/p/porsche/2016\\_porsche\\_911\\_turbo/](http://www.caricos.com/cars/p/porsche/2016_porsche_911_turbo/)>.\*  
 “2017 Porsche 911 Turbo and Turbo S—Official Presentation.” YouTube.com. 0:20. Published Dec. 2, 2015. Accessed Aug. 29, 2016. Available online at URL: <<https://www.youtube.com/watch?v=343b0gHyL6s>>.\*  
 Huma, Eduard. “2014 Porsche 911 Turbo vs 911 Turbo S Cabriolet.” automotorblog. Dec. 12, 2013. Accessed Aug. 29, 2016. Available online at URL: <<http://www.automotorblog.com/2014-porsche-911-turbo-vs-911-turbo-s-cabriolet/>>.\*

\* cited by examiner

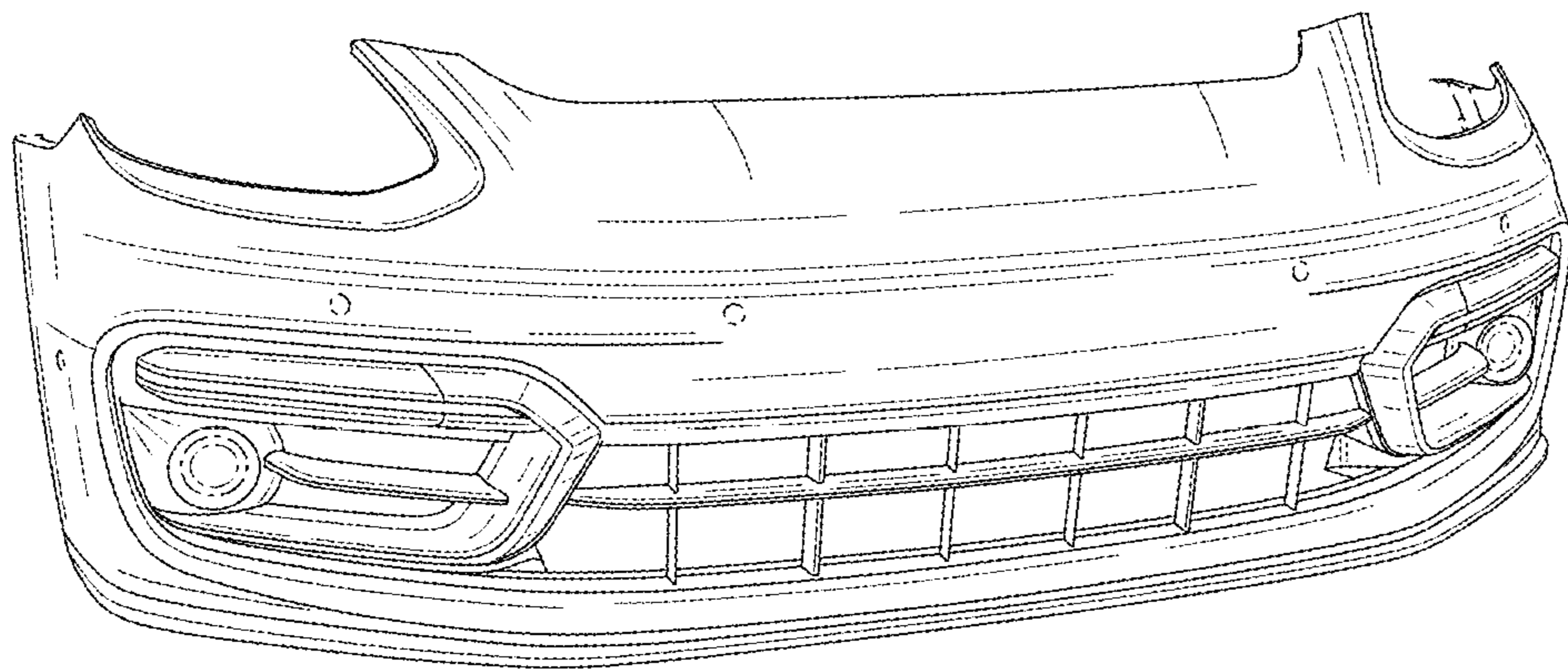


FIG. 1

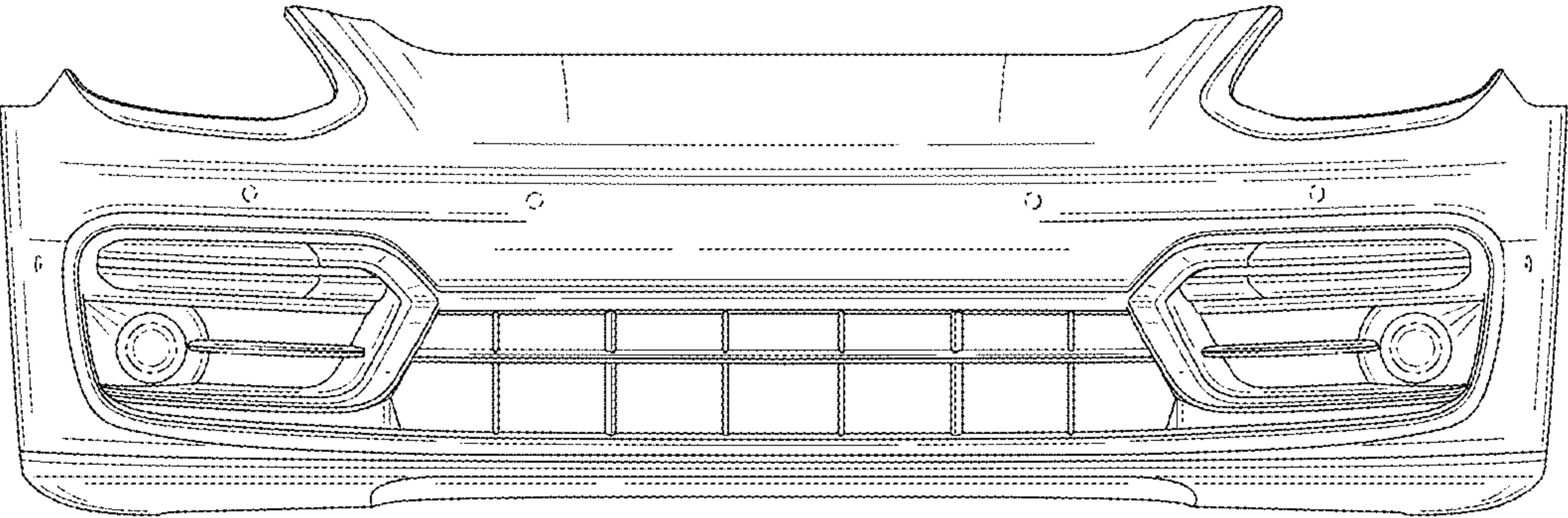


FIG. 2



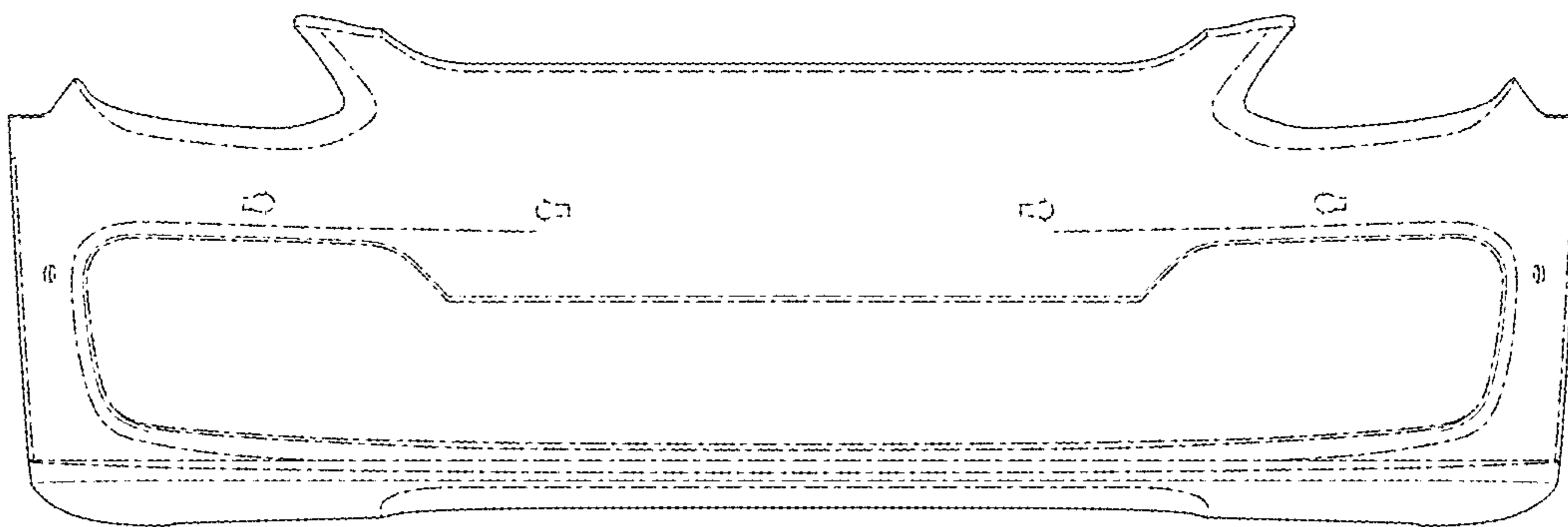


FIG. 3

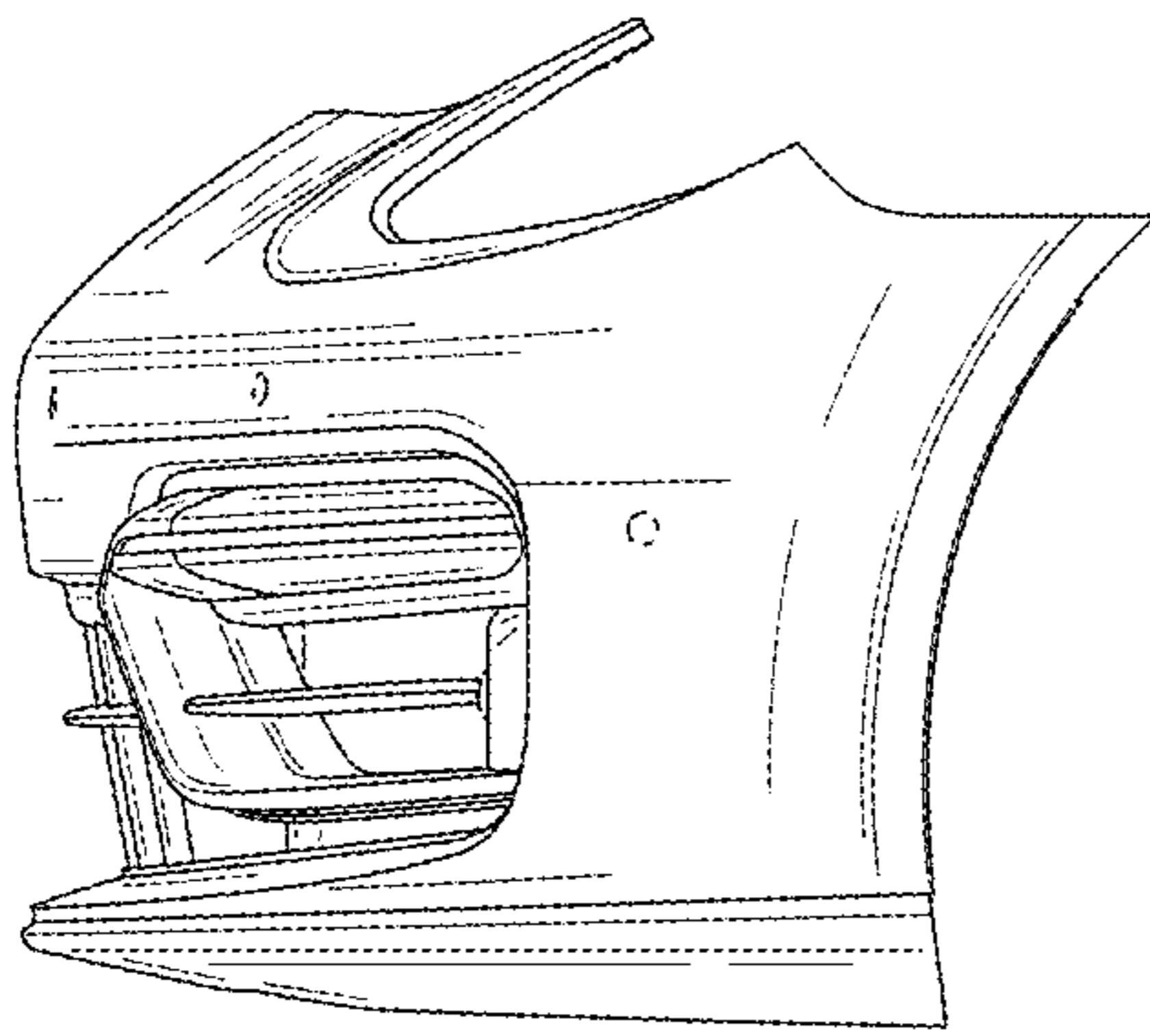


FIG. 4

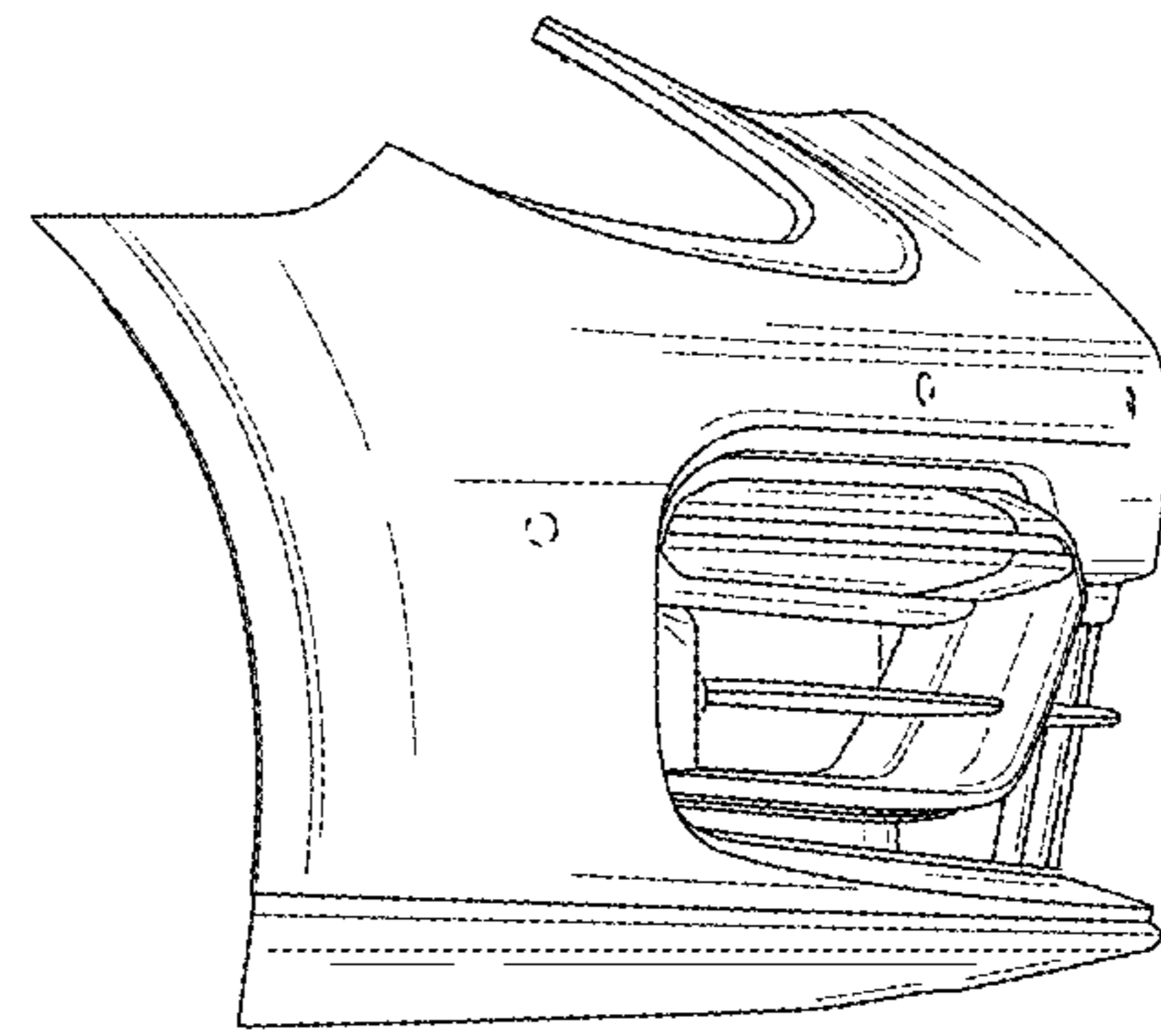


FIG. 5

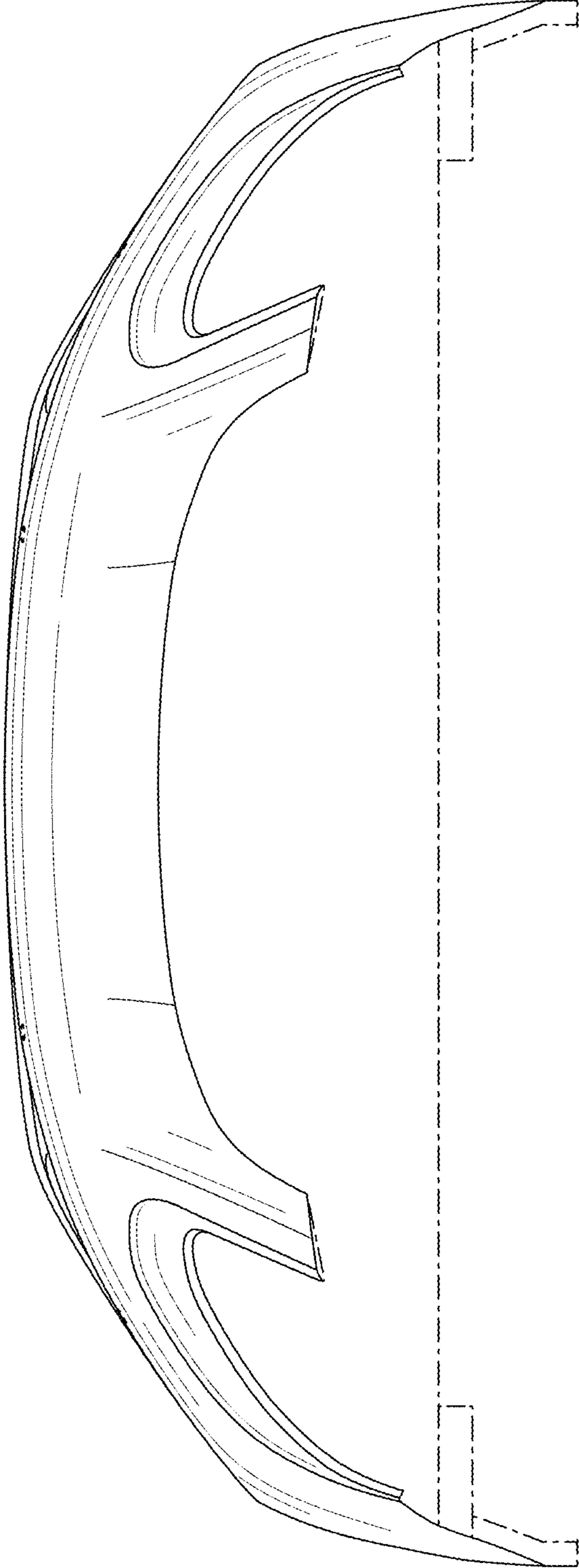


FIG. 6

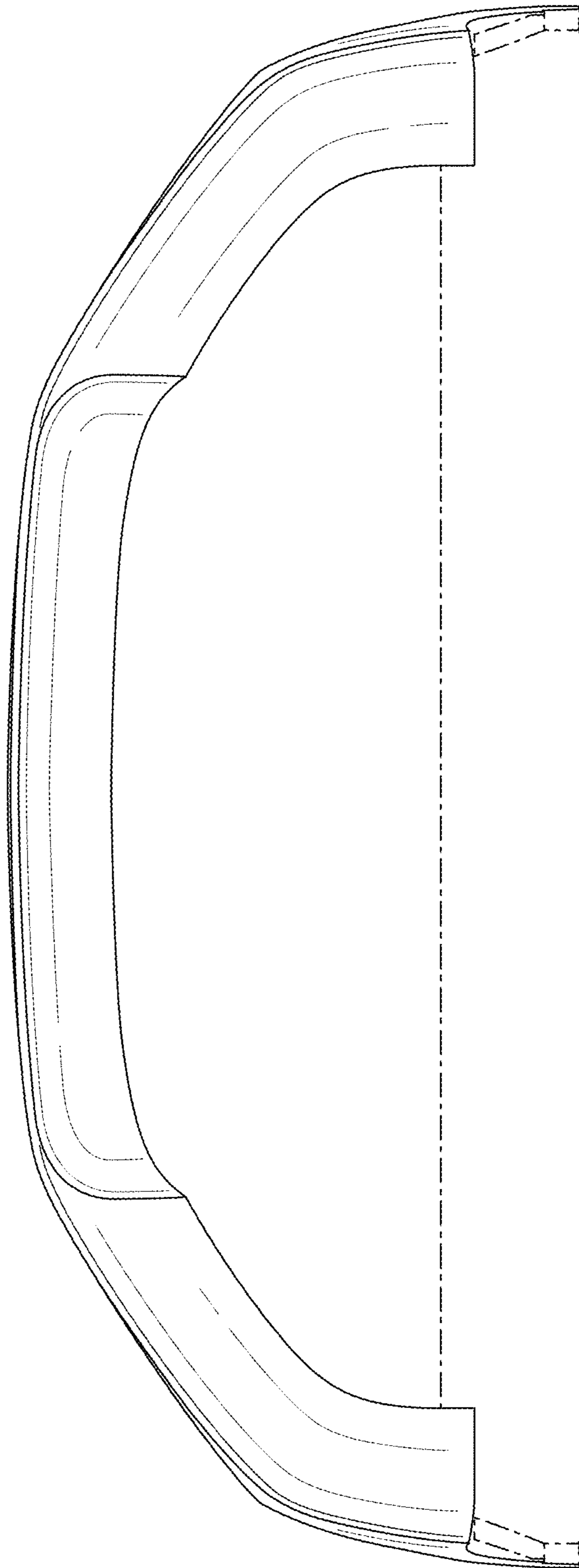


FIG. 7