



US00D773352S

(12) **United States Design Patent** (10) **Patent No.:** **US D773,352 S**
Munakata et al. (45) **Date of Patent:** **** Dec. 6, 2016**

(54) **REAR BUMPER FOR AUTOMOBILE**

(71) Applicant: **Nissan Motor Co., Ltd.**, Yokohama, Kanagawa (JP)
(72) Inventors: **Kenichi Munakata**, Tokyo (JP); **Naoyuki Ohkoshi**, Kanagawa (JP); **Akio Shimizu**, Kanagawa (JP); **Hiroshi Oda**, Kanagawa (JP)
(73) Assignee: **Nissan Motor Co., Ltd.**, Yokohama (JP)

(**) Term: **15 Years**
(21) Appl. No.: **29/534,356**
(22) Filed: **Jul. 28, 2015**

(30) **Foreign Application Priority Data**
Jan. 30, 2015 (JP) 2015-001754
(51) **LOC (10) Cl.** **12-16**
(52) **U.S. Cl.**
USPC **D12/169**; D12/82
(58) **Field of Classification Search**
USPC D12/163, 164, 169, 171
(Continued)

(56) **References Cited**
U.S. PATENT DOCUMENTS
D522,937 S * 6/2006 Tada D12/169
D540,223 S * 4/2007 Sumigama D12/169
(Continued)

FOREIGN PATENT DOCUMENTS
JP D1426519 S 11/2011
JP D1434617 S 2/2012
(Continued)

OTHER PUBLICATIONS

Nissan, 2016 Infiniti QX30, Apr. 18, 2015, nissan-infiniti.com [online], [site visited Jul. 29, 2016]. Available from Internet: <www.nissan-infiniti.com/2016-infiniti-qx30/>.*
(Continued)

Primary Examiner — Karen Kearney
Assistant Examiner — Katherine Holbrow
(74) *Attorney, Agent, or Firm* — Global IP Counselors, LLP

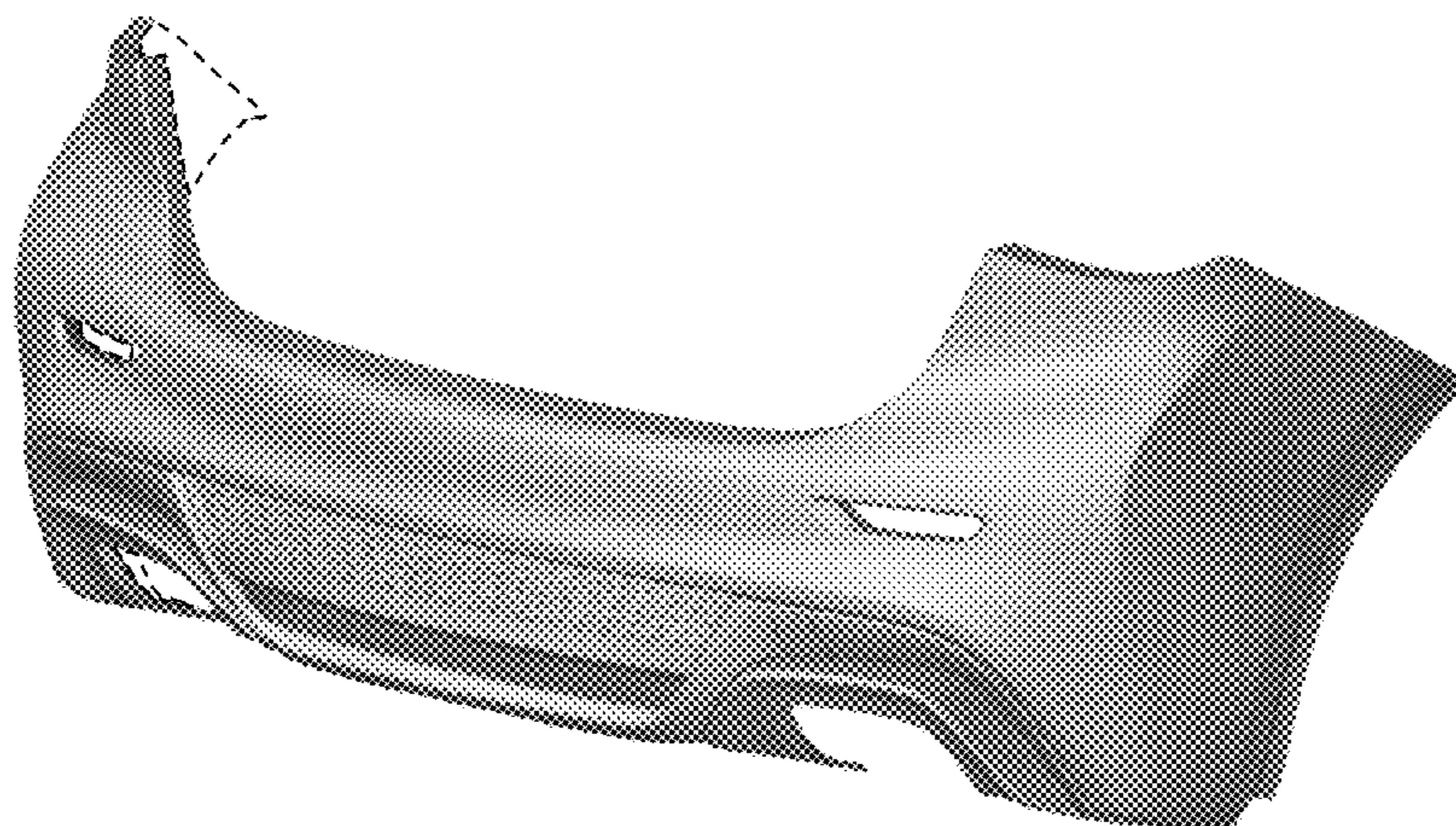
(57) **CLAIM**

The ornamental design for a rear bumper for an automobile, as shown and described.

DESCRIPTION

FIG. 1 is a front elevational view of a rear bumper for an automobile in accordance with our new design;
FIG. 2 is a top plan view of the rear bumper in accordance with our new design of FIG. 1;
FIG. 3 is a bottom plan view of the rear bumper in accordance with our new design of FIGS. 1 to 2;
FIG. 4 is a right side elevational view of the rear bumper in accordance with our new design of FIGS. 1 to 3;
FIG. 5 is a left side elevational view of the rear bumper in accordance with our new design of FIGS. 1 to 4;
FIG. 6 is a front, right and top side perspective view of the rear bumper in accordance with our new design of FIGS. 1 to 5; and,
FIG. 7 is a front, left and bottom side perspective view of the rear bumper in accordance with our new design of FIGS. 1 to 6.
The broken lines showing the inside surface of the rear bumper are included for the purpose of illustrating portions of the article and form no part of the claimed design.

1 Claim, 7 Drawing Sheets



(58) **Field of Classification Search**
 CPC .. B60R 19/02; B60R 2019/1886; B60R 19/44;
 B60R 19/48; B60R 19/52; B60R 19/56
 See application file for complete search history.

(56) **References Cited**

U.S. PATENT DOCUMENTS

D558,094 S	*	12/2007	Pfeiffer	D12/91
D584,202 S	*	1/2009	Sonoda	D12/169
D637,535 S	*	5/2011	Yukawa	D12/169
D675,140 S	*	1/2013	Ohkoshi	D12/169
D679,636 S	*	4/2013	Schmeckpeper	D12/169
D683,282 S	*	5/2013	Fuchigami	D12/169
D683,283 S		5/2013	Choi	
D683,285 S	*	5/2013	Yoshida	D12/169
D698,712 S		2/2014	Sato et al.	
D699,167 S	*	2/2014	Sato	D12/169
D701,806 S	*	4/2014	Hildebrand	D12/169
D713,766 S	*	9/2014	Katou	D12/169
D718,678 S	*	12/2014	Ishizuka	D12/169
D721,625 S	*	1/2015	George	D12/169
D724,504 S	*	3/2015	Hall	D12/169
D735,624 S	*	8/2015	Sperling	D12/169
D746,188 S	*	12/2015	Nakagawa	D12/169
D760,129 S	*	6/2016	Whang	D12/169
2014/0292006 A1	*	10/2014	Francis	B60R 19/18 293/107

FOREIGN PATENT DOCUMENTS

JP	D1435327 S	6/2012
JP	D1444775 S	6/2012

JP	D1457892 S	12/2012
JP	D1458082 S	12/2012
JP	D1431647 S	1/2013
JP	D1465081 S	3/2013
JP	D1479634 S	9/2013
JP	D1486325 S	12/2013
JP	D1489383 S	2/2014
JP	D1472543 S	6/2014
JP	D1498811 S	6/2014
JP	D1499545 S	6/2014
JP	D1446730 S	7/2014
JP	D1504008 S	8/2014
JP	D1511275 S	11/2014
JP	D1513119 S	12/2014
JP	D1489460 S	2/2015
JP	D1519898 S	3/2015

OTHER PUBLICATIONS

Swan, Tony, 2017 Infiniti Q30 Debuts, Sep. 2015, caranddriver.com [online], [site visited Jul. 26, 2016]. Available from Internet: <<http://www.caranddriver.com/photo-gallery/2017-infiniti-q30-official-photos-and-info#32>>.*

Voelcker, John, 2017 Infiniti Q30 Video, Jul. 21, 2015, Greencar-reports.com [online], [site visited Jul. 29, 2016]. Available from Internet: <http://www.greencarreports.com/news/1098793_2017-infiniti-q30-video-lust-and-logic-of-compact-hatchback-for-frankfurt-show#image=100439548>.*

* cited by examiner

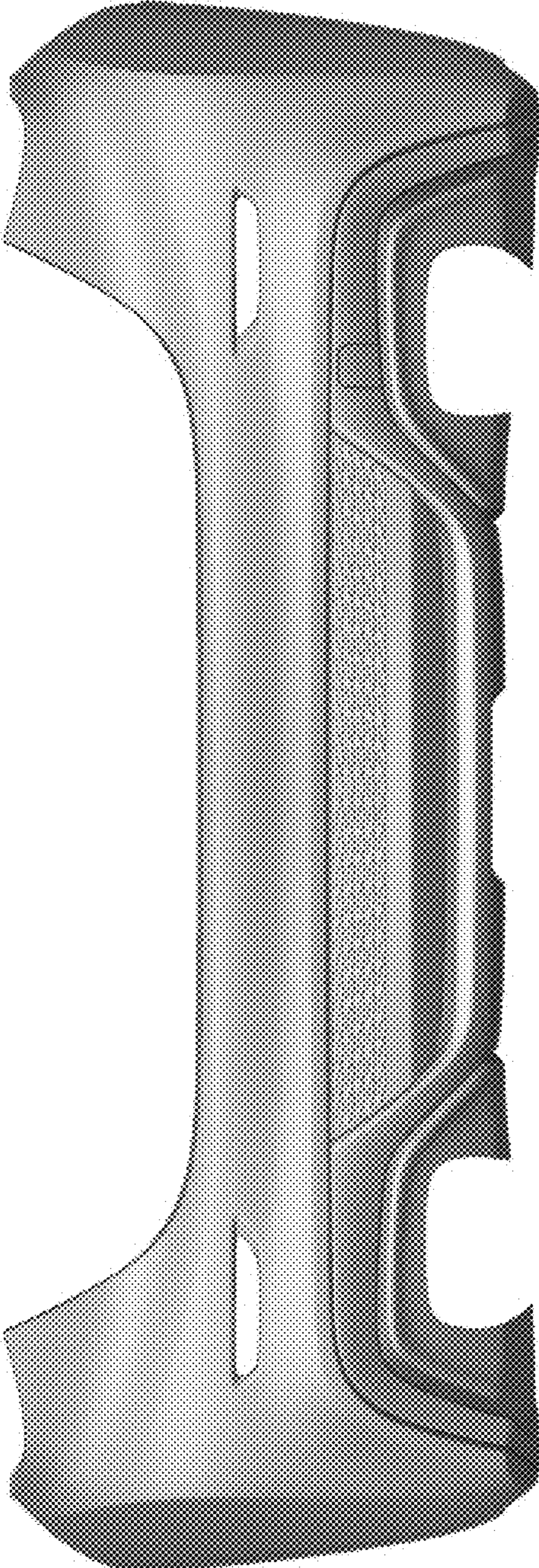


FIG. 1

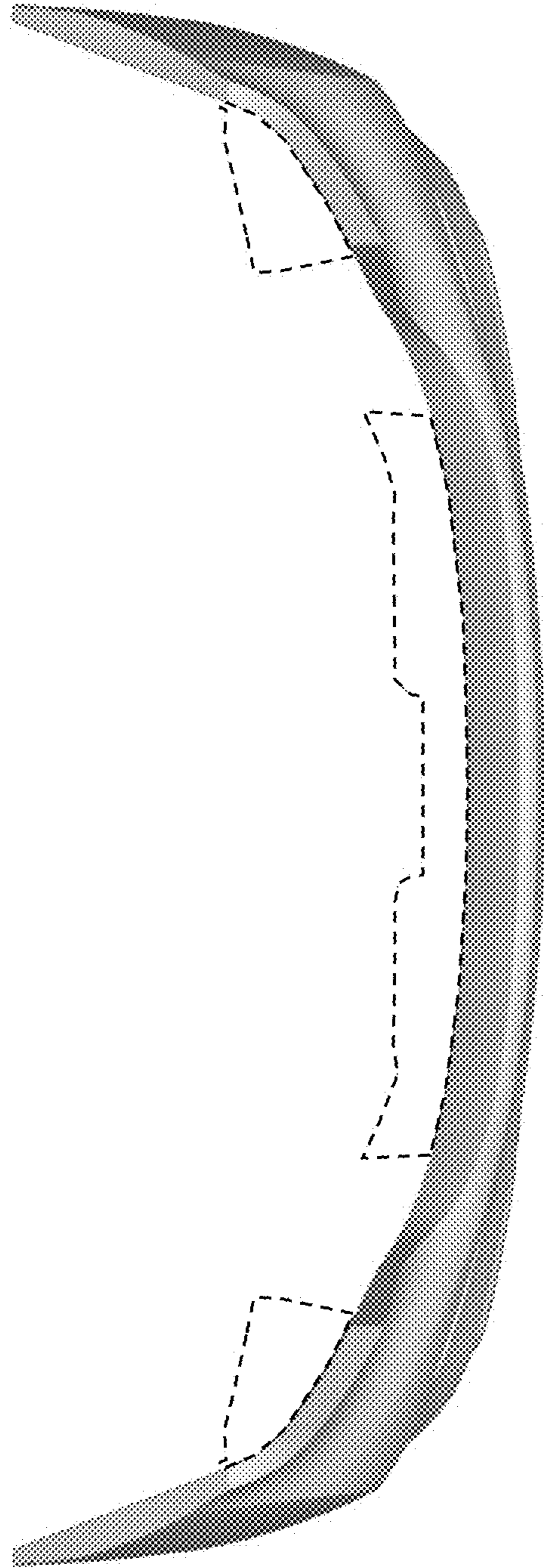


FIG. 2

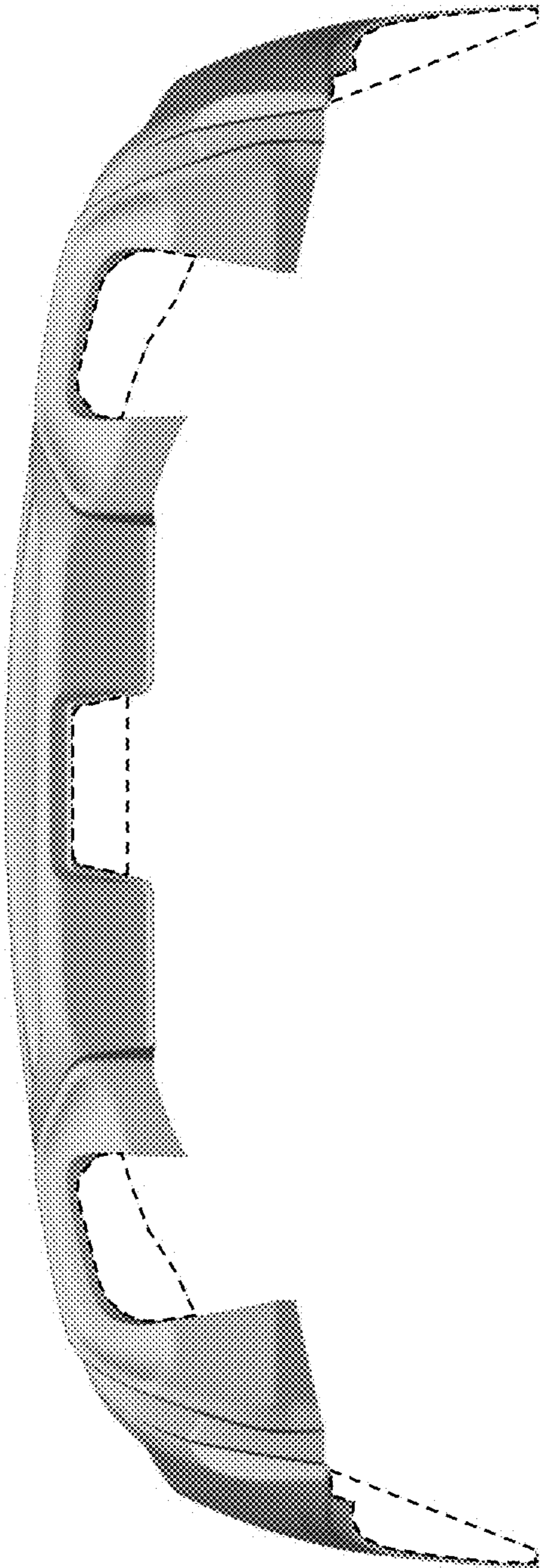


FIG. 3

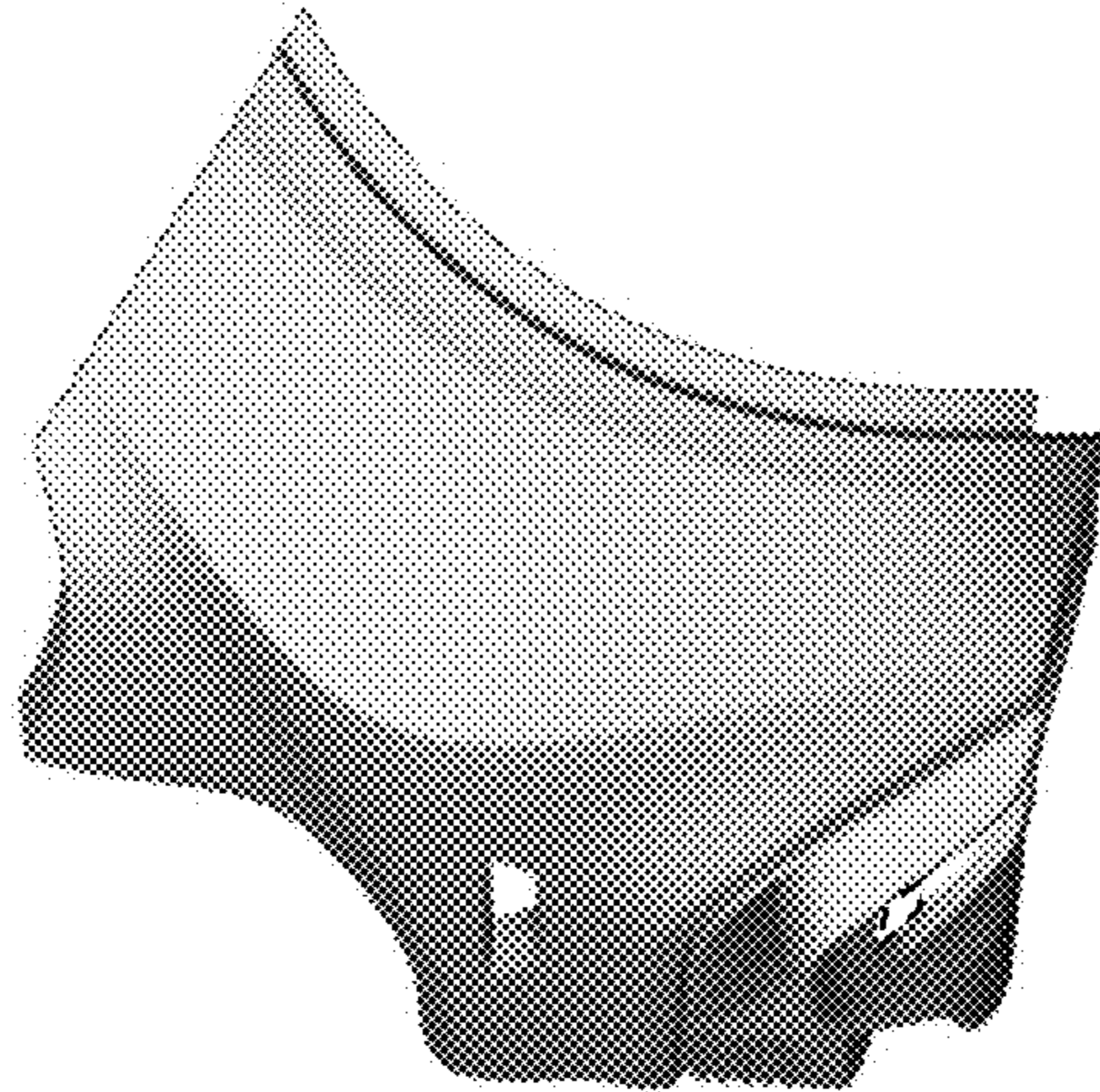


FIG. 4

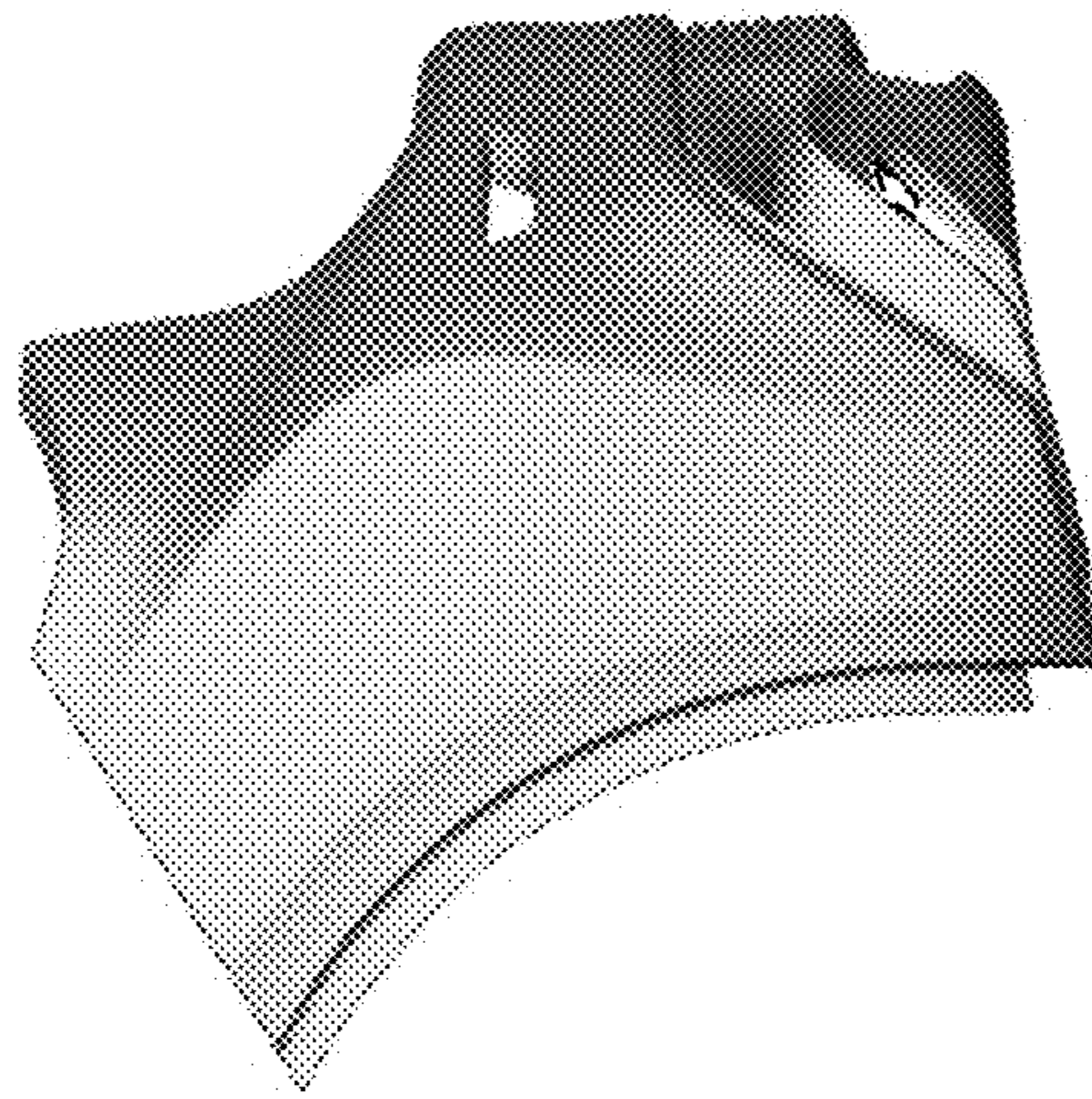


FIG. 5

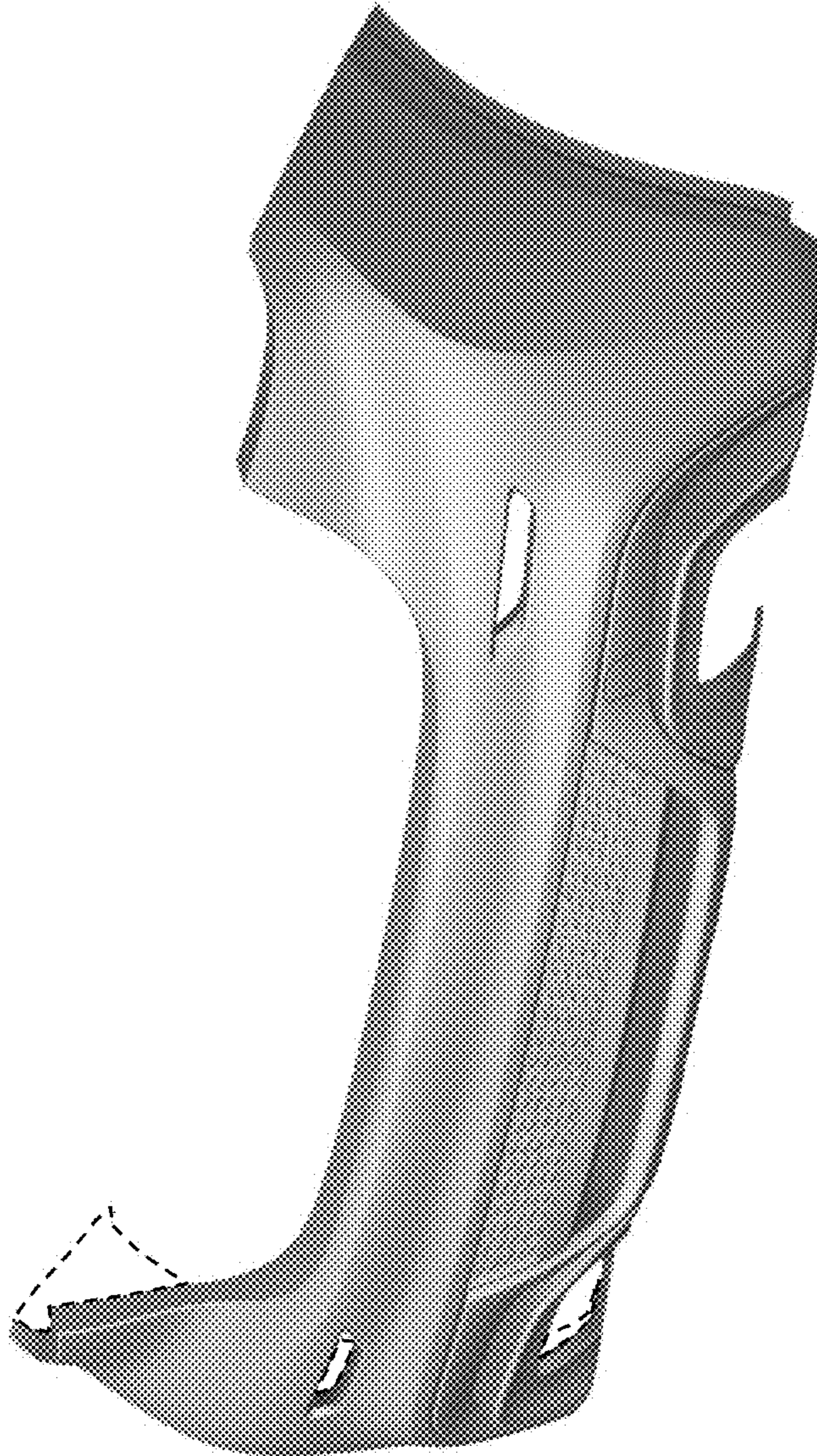


FIG. 6

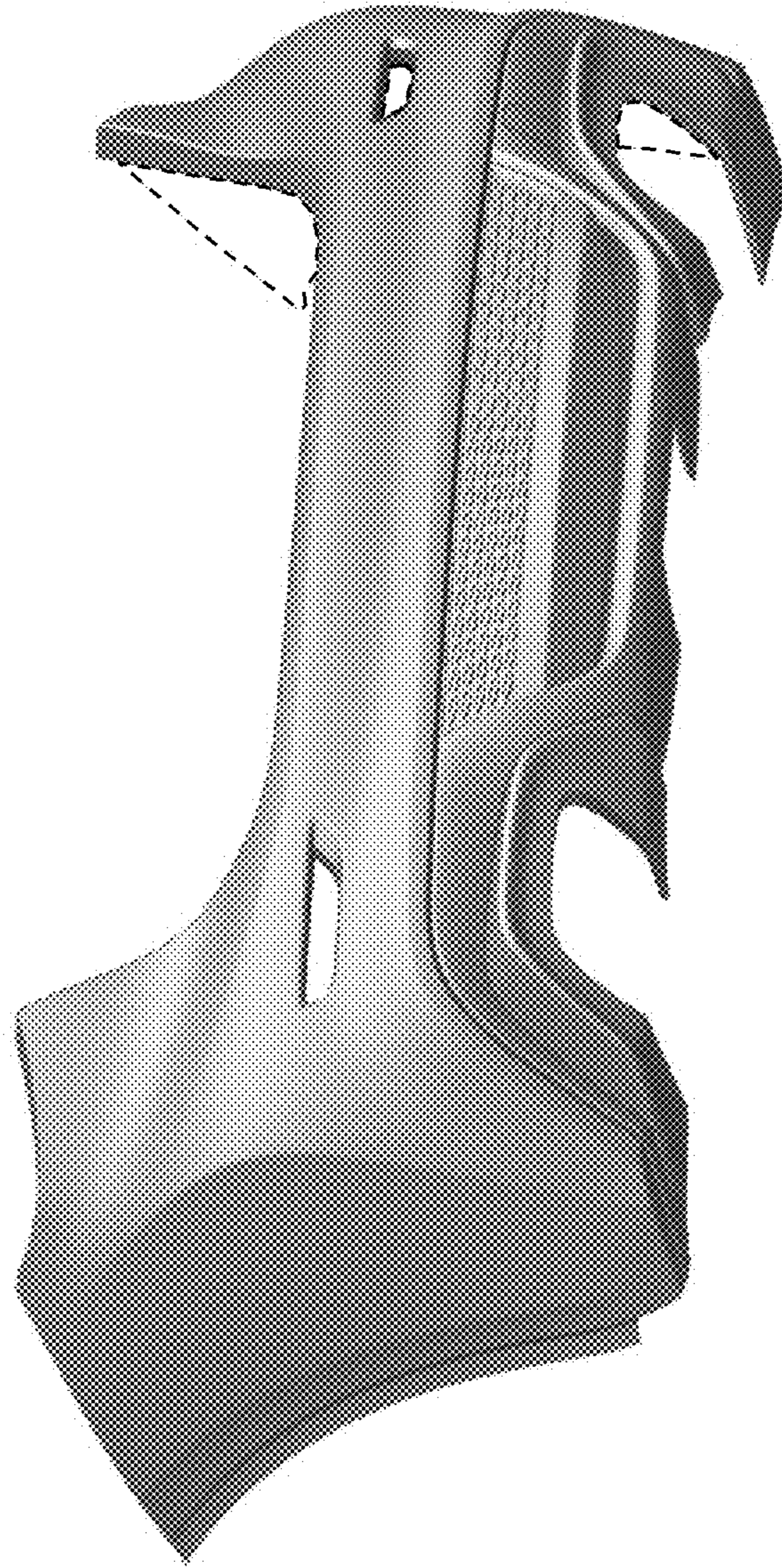


FIG. 7