



US00D773351S

(12) **United States Design Patent** (10) **Patent No.:** **US D773,351 S**  
**Munakata et al.** (45) **Date of Patent:** **\*\* Dec. 6, 2016**

(54) **REAR BUMPER FOR AUTOMOBILE**

(71) Applicant: **Nissan Motor Co., Ltd.**, Yokohama, Kanagawa (JP)  
(72) Inventors: **Kenichi Munakata**, Tokyo (JP); **Naoyuki Ohkoshi**, Kanagawa (JP); **Takashi Utsunomiya**, Kanagawa (JP)  
(73) Assignee: **Nissan Motor Co., Ltd.**, Yokohama (JP)

(\*\*) Term: **15 Years**

(21) Appl. No.: **29/534,353**

(22) Filed: **Jul. 28, 2015**

(30) **Foreign Application Priority Data**

Jan. 30, 2015 (JP) ..... 2015-001751

(51) **LOC (10) Cl.** ..... **12-16**

(52) **U.S. Cl.**  
USPC ..... **D12/169; D12/82**

(58) **Field of Classification Search**  
USPC ..... D12/163, 164, 169, 171  
(Continued)

(56) **References Cited**

**U.S. PATENT DOCUMENTS**

D522,937 S \* 6/2006 Tada ..... D12/169  
D540,223 S \* 4/2007 Sumigama ..... D12/169  
(Continued)

**FOREIGN PATENT DOCUMENTS**

JP D1426519 S 11/2011  
JP D1434617 S 2/2012  
(Continued)

**OTHER PUBLICATIONS**

Nissan, 2016 Infiniti QX30, Apr. 18, 2015, nissan-infiniti.com [online], [site visited Jul. 29, 2016]. Available from Internet: <www.nissan-infiniti.com/2016-infiniti-qx30/>.\*

(Continued)

*Primary Examiner* — Karen Kearney  
*Assistant Examiner* — Katherine Holbrow

(74) *Attorney, Agent, or Firm* — Global IP Counselors, LLP

(57) **CLAIM**

The ornamental design for a rear bumper for an automobile, as shown and described.

**DESCRIPTION**

FIG. 1 is a front elevational view of a rear bumper for an automobile in accordance with our new design;

FIG. 2 is a top plan view of the rear bumper in accordance with our new design of FIG. 1;

FIG. 3 is a bottom plan view of the rear bumper in accordance with our new design of FIGS. 1 to 2;

FIG. 4 is a right side elevational view of the rear bumper in accordance with our new design of FIGS. 1 to 3;

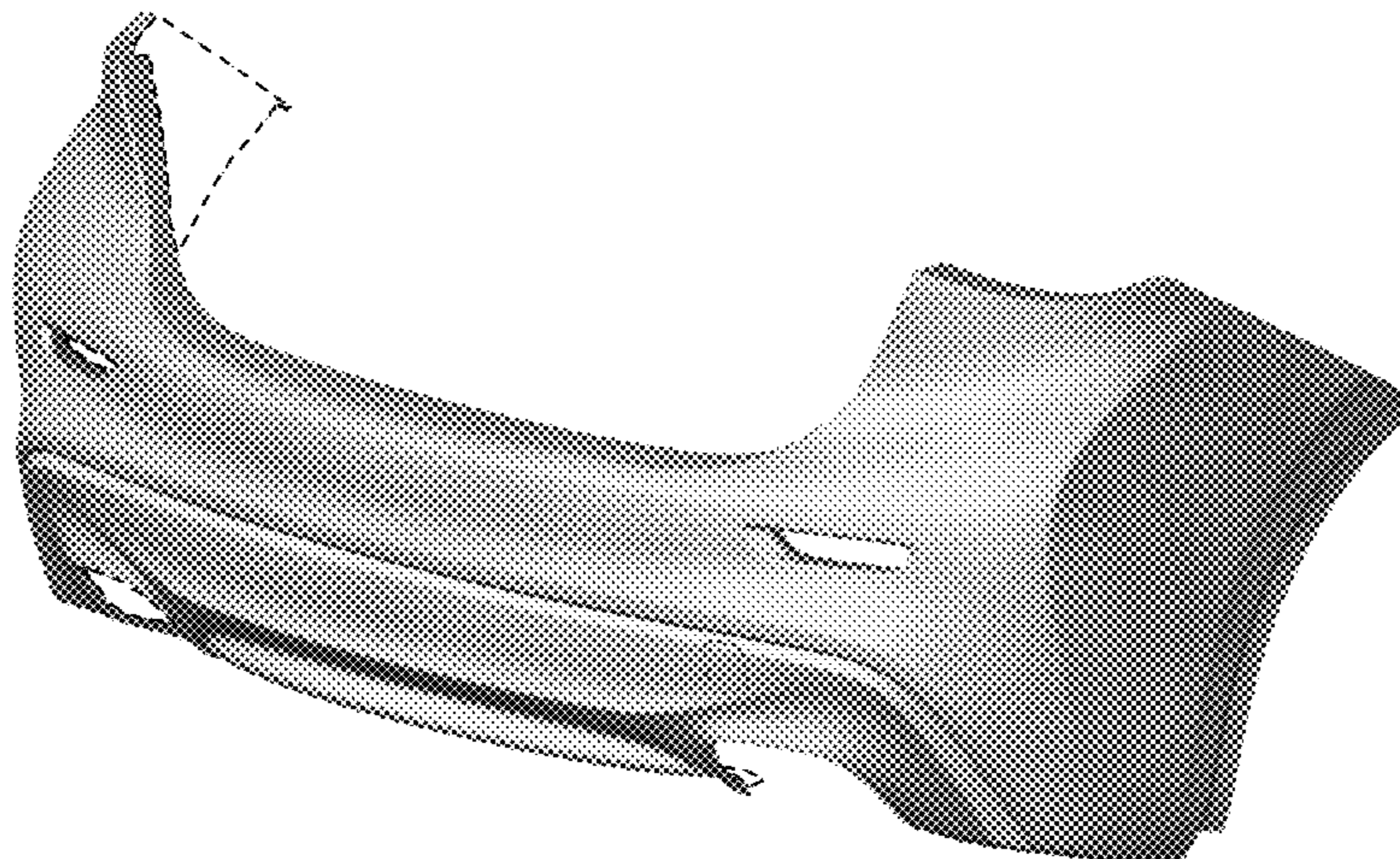
FIG. 5 is a left side elevational view of the rear bumper in accordance with our new design of FIGS. 1 to 4;

FIG. 6 is a front, right and top side perspective view of the rear bumper in accordance with our new design of FIGS. 1 to 5; and,

FIG. 7 is a front, left and bottom side perspective view of the rear bumper in accordance with our new design of FIGS. 1 to 6.

The broken lines showing the inside surface of the rear bumper are included for the purpose of illustrating portions of the article and form no part of the claimed design.

**1 Claim, 7 Drawing Sheets**



(58) **Field of Classification Search**  
 CPC .. B60R 19/02; B60R 2019/1886; B60R 19/44;  
 B60R 19/48; B60R 19/52; B60R 19/56  
 See application file for complete search history.

(56) **References Cited**

U.S. PATENT DOCUMENTS

D558,094	S	*	12/2007	Pfeiffer	.....	D12/91
D584,202	S	*	1/2009	Sonoda	.....	D12/169
D637,535	S	*	5/2011	Yukawa	.....	D12/169
D675,140	S	*	1/2013	Ohkoshi	.....	D12/169
D679,636	S	*	4/2013	Schmeckpeper	.....	D12/169
D683,282	S	*	5/2013	Fuchigami	.....	D12/169
D683,283	S		5/2013	Choi		
D683,285	S	*	5/2013	Yoshida	.....	D12/169
D698,712	S		2/2014	Sato et al.		
D699,167	S	*	2/2014	Sato	.....	D12/169
D701,806	S	*	4/2014	Hildebrand	.....	D12/169
D713,766	S	*	9/2014	Katou	.....	D12/169
D718,678	S	*	12/2014	Ishizuka	.....	D12/169
D721,625	S	*	1/2015	George	.....	D12/169
D724,504	S	*	3/2015	Hall	.....	D12/169
D735,624	S	*	8/2015	Sperling	.....	D12/169
D746,188	S	*	12/2015	Nakagawa	.....	D12/169
D760,129	S	*	6/2016	Whang	.....	D12/169
2014/0292006	A1	*	10/2014	Francis	.....	B60R 19/18 293/107

FOREIGN PATENT DOCUMENTS

JP	D1435327	S	6/2012
JP	D1444775	S	6/2012

JP	D1457892	S	12/2012
JP	D1458082	S	12/2012
JP	D1431647	S	1/2013
JP	D1465081	S	3/2013
JP	D1479634	S	9/2013
JP	D1486325	S	12/2013
JP	D1489383	S	2/2014
JP	D1472543	S	6/2014
JP	D1498811	S	6/2014
JP	D1499545	S	6/2014
JP	D1446730	S	7/2014
JP	D1504008	S	8/2014
JP	D1511275	S	11/2014
JP	D1513119	S	12/2014
JP	D1489460	S	2/2015
JP	D1519898	S	3/2015

OTHER PUBLICATIONS

Swan, Tony, 2017 Infiniti Q30 Debuts, Sep. 2015, caranddriver.com [online], [site visited Jul. 26, 2016]. Available from Internet: <<http://www.caranddriver.com/photo-gallery/2017-infiniti-q30-official-photos-and-info#32>>.\*

Voelcker, John, 2017 Infiniti Q30 Video, Jul. 21, 2015, Greencar-reports.com [online], [site visited Jul. 29, 2016]. Available from Internet: <[http://www.greencarreports.com/news/1098793\\_2017-infiniti-q30-video-lust-and-logic-of-compact-hatchback-for-frankfurt-show#image=100439548](http://www.greencarreports.com/news/1098793_2017-infiniti-q30-video-lust-and-logic-of-compact-hatchback-for-frankfurt-show#image=100439548)>.\*

\* cited by examiner



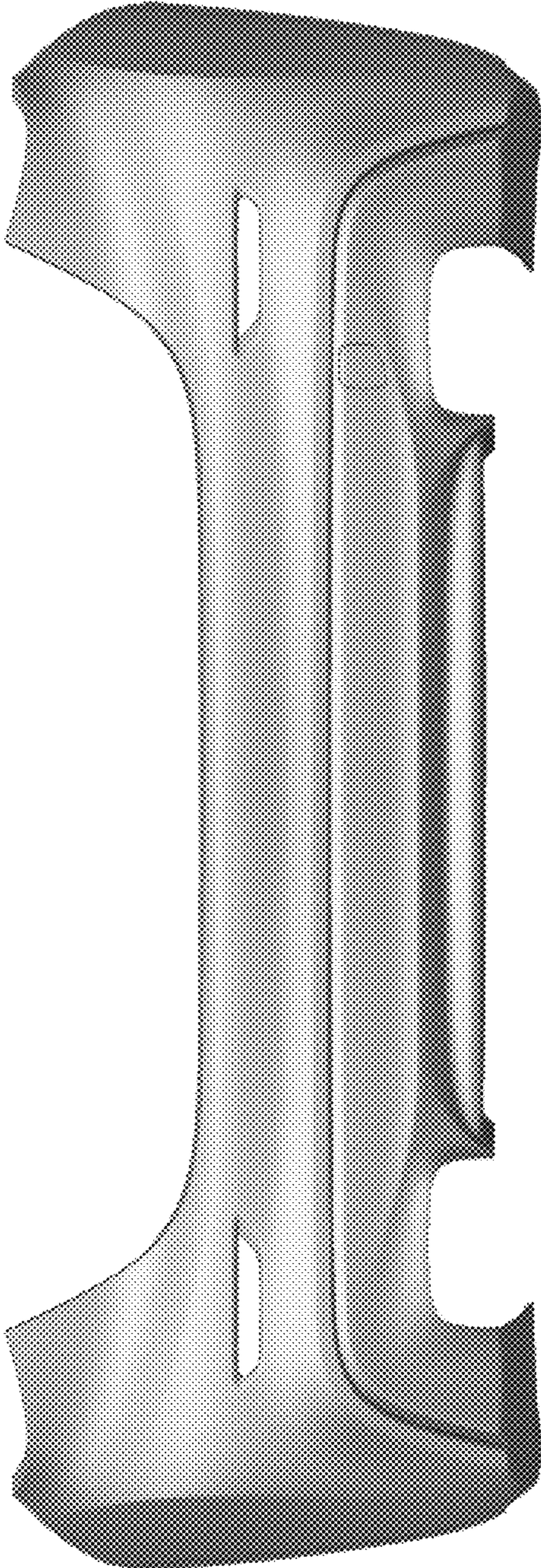


FIG. 1

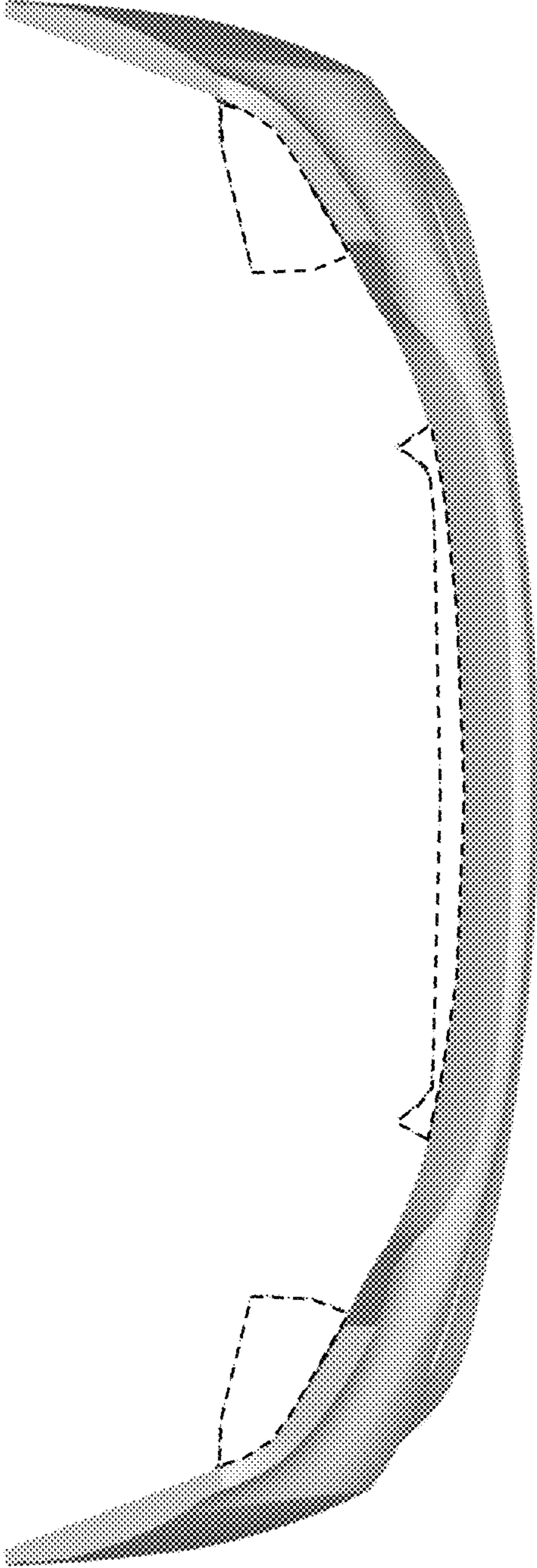


FIG. 2

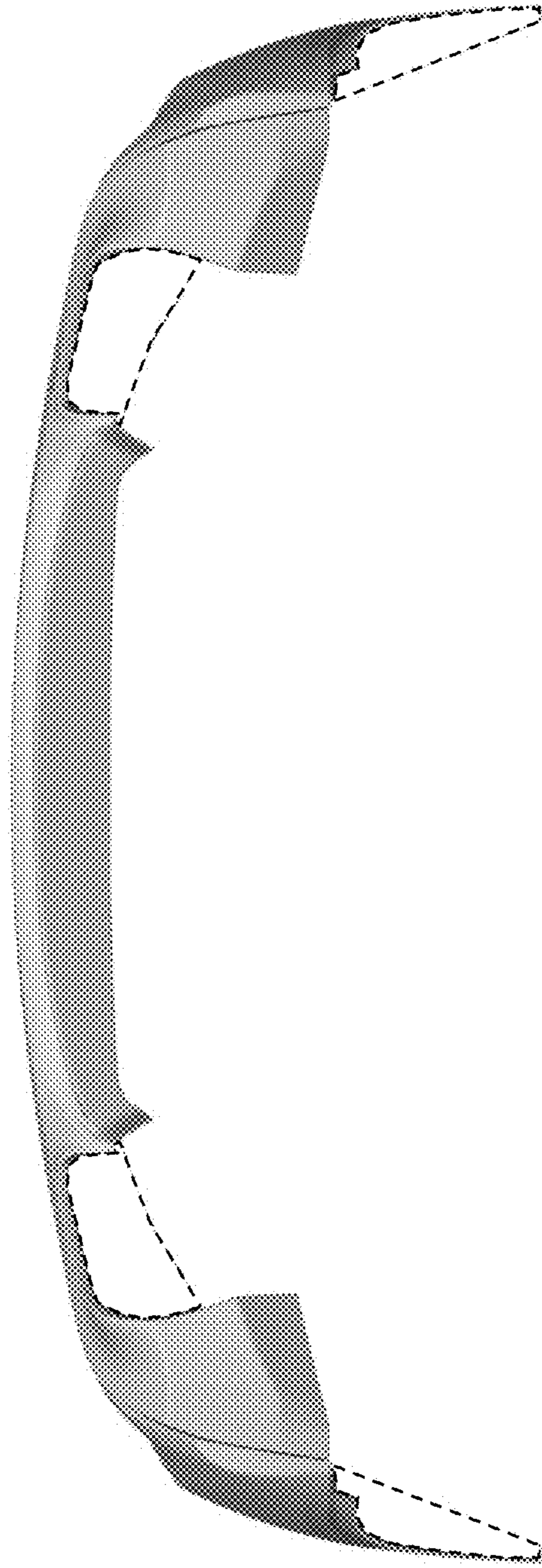


FIG. 3



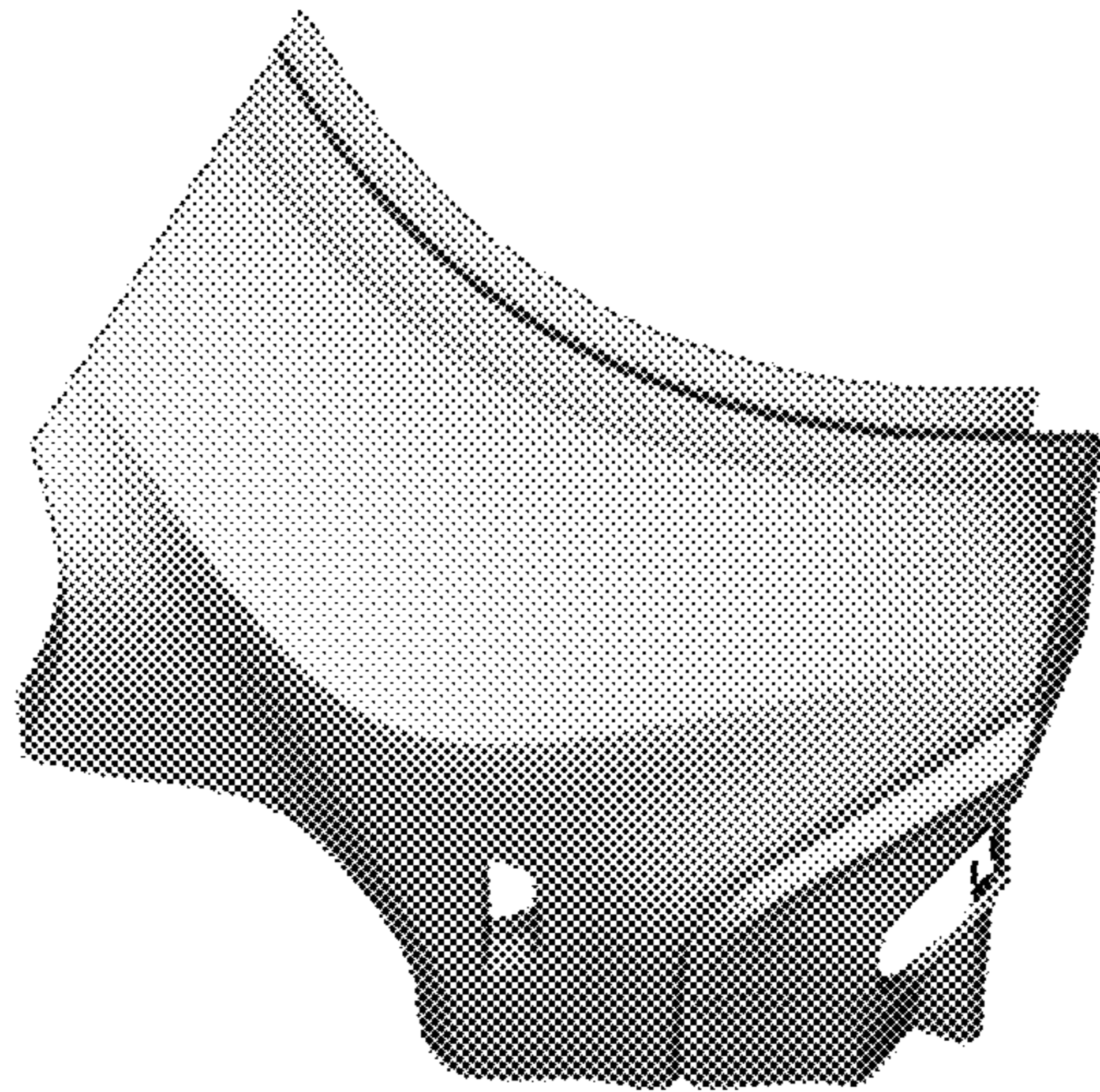


FIG. 4

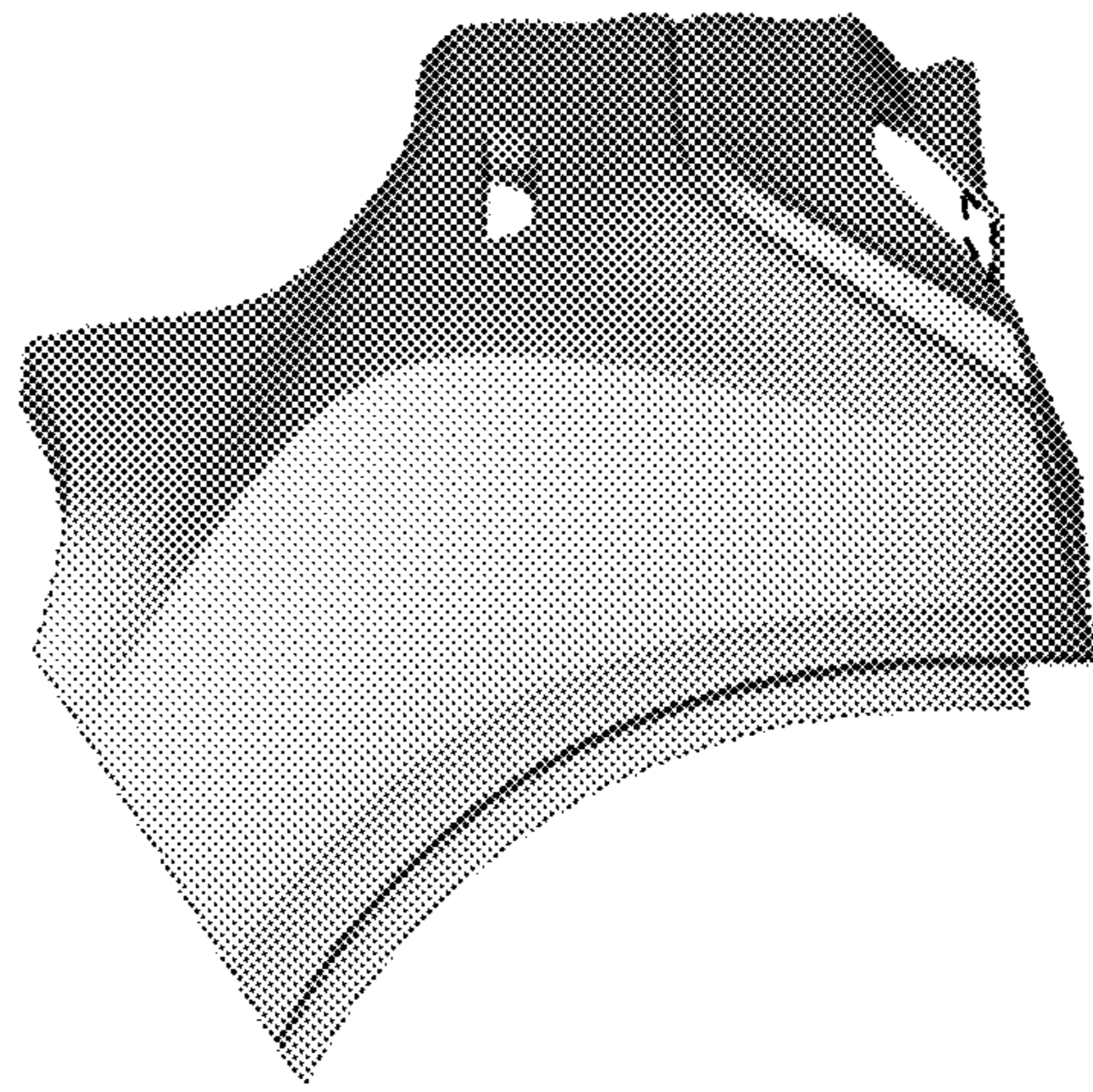


FIG. 5

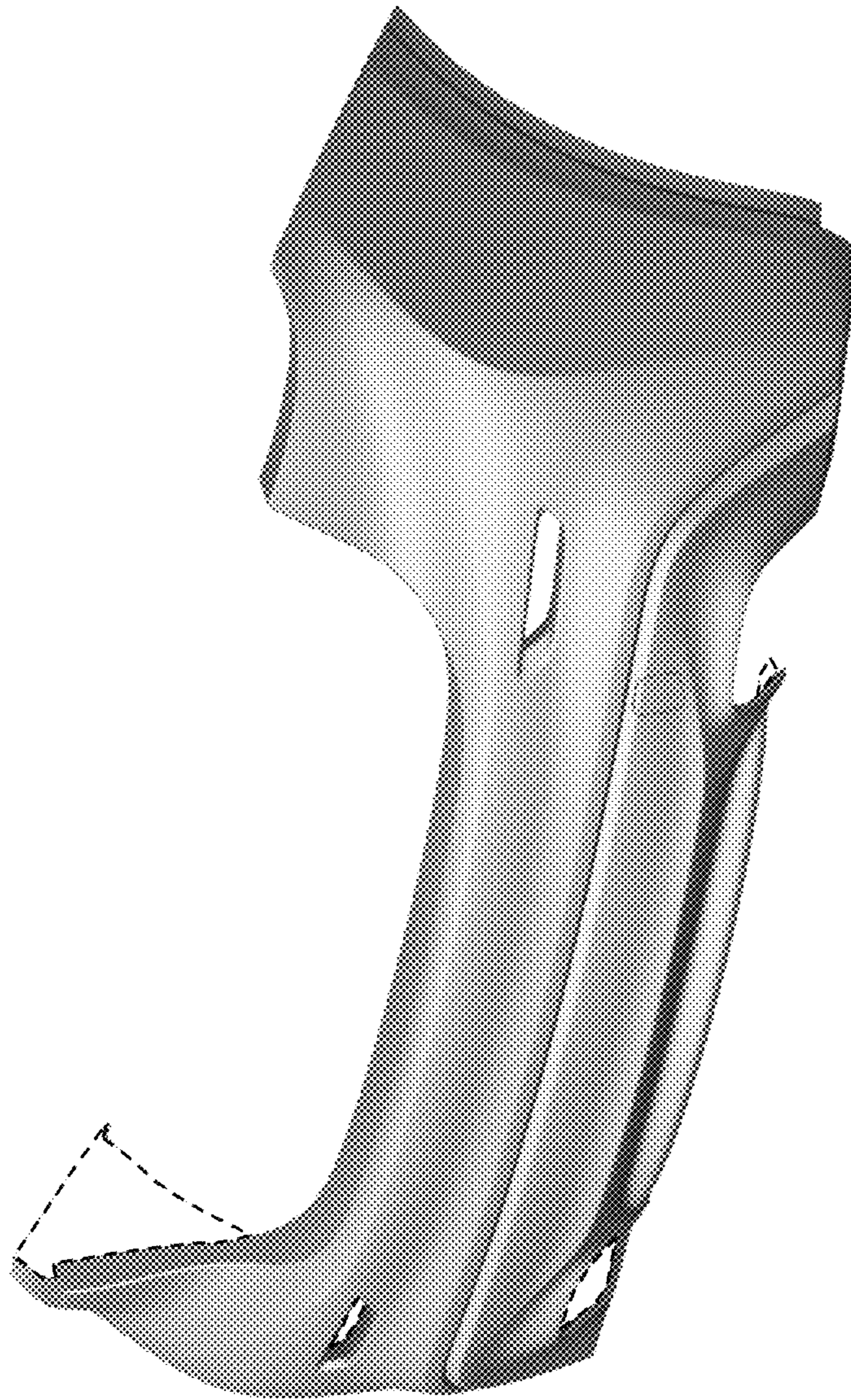


FIG. 6



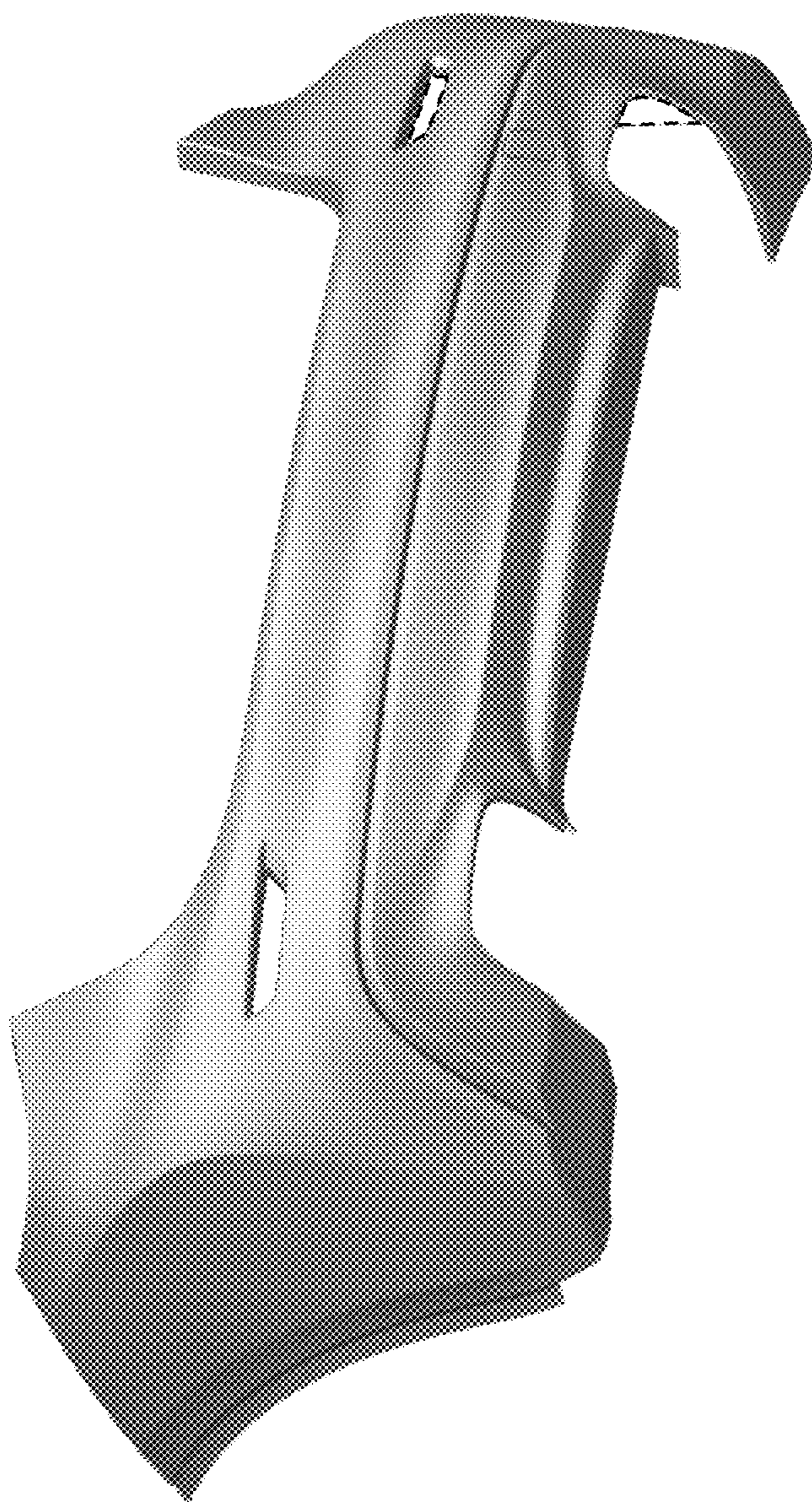


FIG. 7