



US00D773347S

(12) **United States Design Patent**
Whang

(10) **Patent No.:** **US D773,347 S**
(45) **Date of Patent:** **** Dec. 6, 2016**

(54) **RADIATOR GRILL FOR AN AUTOMOBILE**

D737,736 S * 9/2015 Iwai D12/163
D756,854 S * 5/2016 Horiuchi D12/163
D758,928 S * 6/2016 Messale D12/163

(71) Applicant: **Nissan Motor Co., Ltd.**, Yokohama,
Kanagawa (JP)

FOREIGN PATENT DOCUMENTS

(72) Inventor: **Seonwook Whang**, Kanagawa (JP)

JP D1125260 S 11/2001
JP D1332832 S 6/2008
JP D1323062 S 2/2010
JP D1403178 S 12/2010
JP D1432891 S 2/2012
JP D1412380 S 4/2012
JP D1443409 S 6/2012

(73) Assignee: **Nissan Motor Co., Ltd.**, Yokohama
(JP)

(**) Term: **14 Years**

(Continued)

(21) Appl. No.: **29/521,477**

Primary Examiner — Melody N Brown

(22) Filed: **Mar. 24, 2015**

(74) *Attorney, Agent, or Firm* — Global IP Counselors,
LLP

(30) **Foreign Application Priority Data**

Sep. 24, 2014 (JP) 2014-021007

(51) **LOC (10) Cl.** **12-16**

(52) **U.S. Cl.**
USPC **D12/163**

(58) **Field of Classification Search**

USPC D12/163, 196, 86, 90-92, 171, 169, 216;
180/68.1, 68.6; 293/193.11
CPC B62D 25/08; B62B 9/16; B60K 11/08;
B60R 19/52

See application file for complete search history.

(56) **References Cited**

U.S. PATENT DOCUMENTS

D602,820 S * 10/2009 Yukawa D12/163
D626,464 S 11/2010 Yanase et al.
D629,339 S * 12/2010 Choi D12/163
D667,762 S 9/2012 Yanase
D675,134 S 1/2013 Yamamoto et al.
D682,164 S 5/2013 Fuchigami
D682,753 S 5/2013 Yoshida et al.
D727,220 S * 4/2015 Rugar D12/163

(57) **CLAIM**

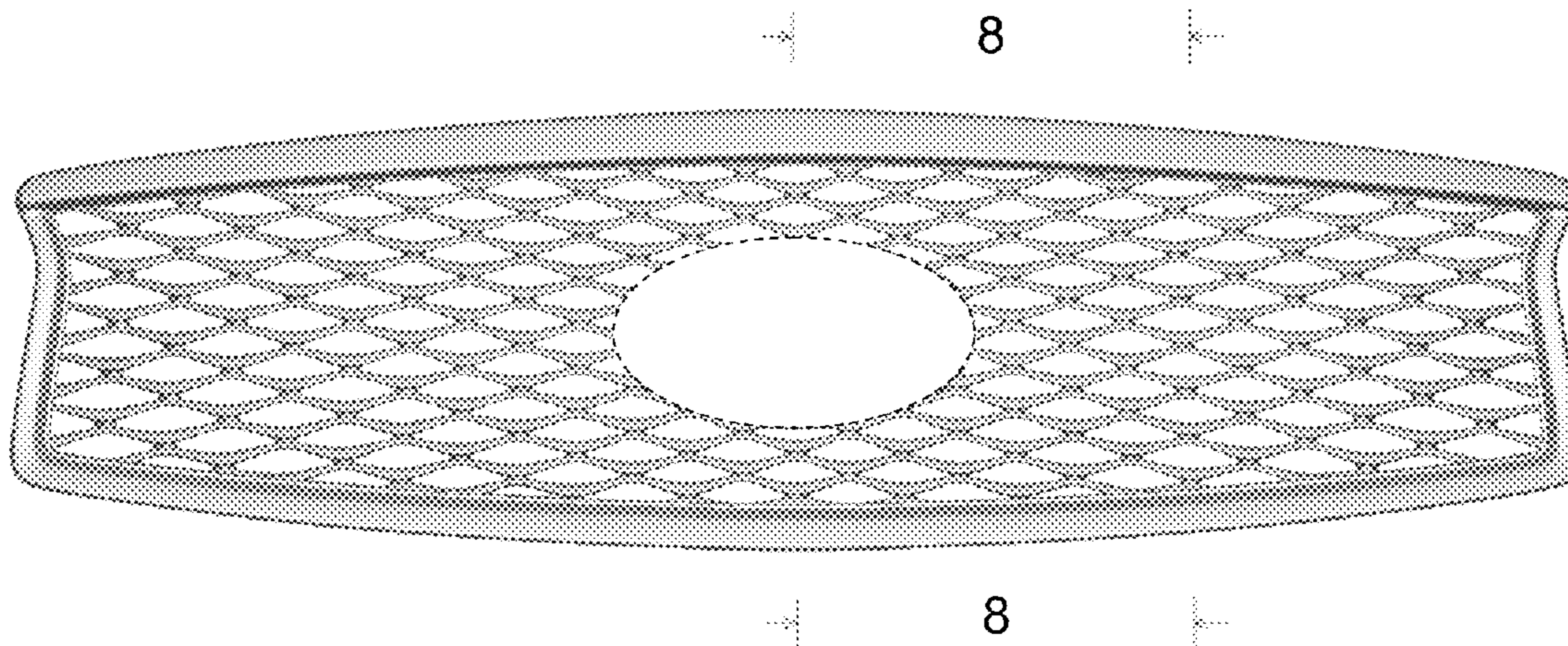
The ornamental design for a radiator grill for an automobile,
as shown and described.

DESCRIPTION

FIG. 1 is a front elevational view of a radiator grill for an
automobile in accordance with my new design;
FIG. 2 is a top, front perspective view thereof;
FIG. 3 is a bottom, rear perspective view thereof;
FIG. 4 is a right side elevational view thereof;
FIG. 5 is a left side elevational view thereof;
FIG. 6 is a top, front and right side perspective view thereof;
FIG. 7 is a bottom, front and left side perspective view
thereof; and,
FIG. 8 is a cross sectional view thereof, taken along line 8-8
of FIG. 1.

The broken line showing of the radiator grill is for purpose
of illustrating environmental structure and forms no part of
the claimed design. The rear view of the radiator grill forms
no part of the claimed design.

1 Claim, 8 Drawing Sheets



(56)

References Cited

FOREIGN PATENT DOCUMENTS

JP	D1447947 S	8/2012
JP	D1461646 S	2/2013
JP	D1480825 S	10/2013
JP	D1461052 S	1/2014
JP	D1487621 S	1/2014

* cited by examiner

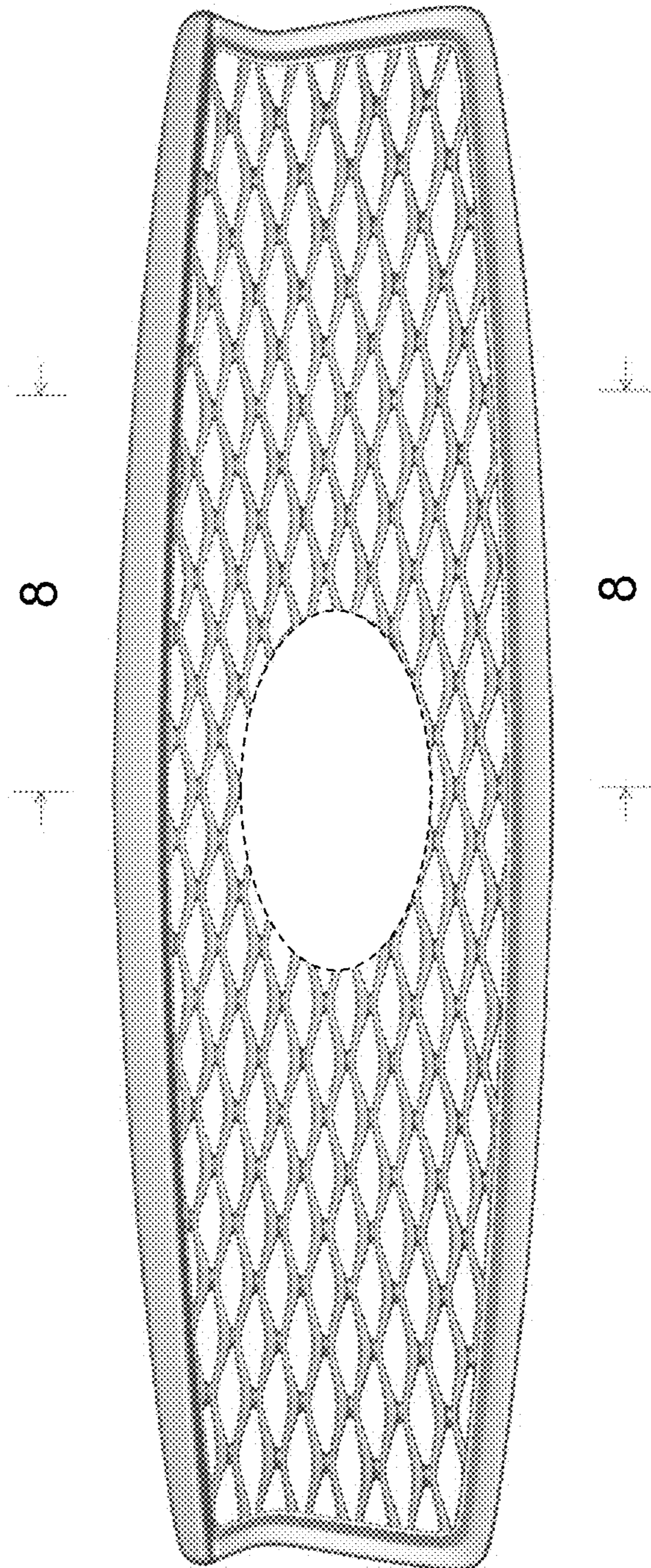


FIG. 1

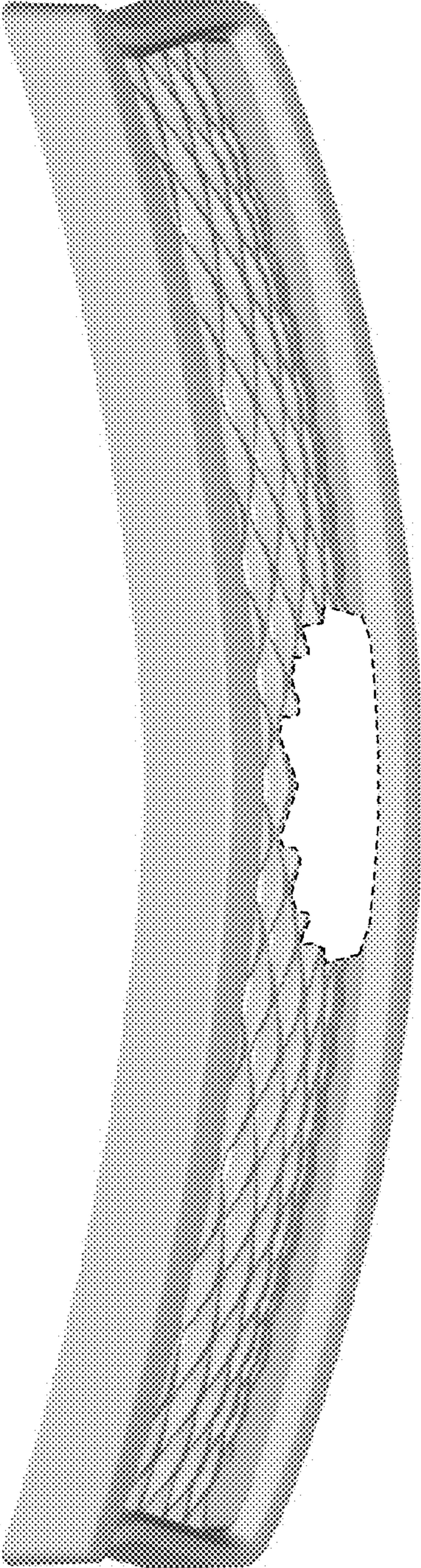


FIG. 2

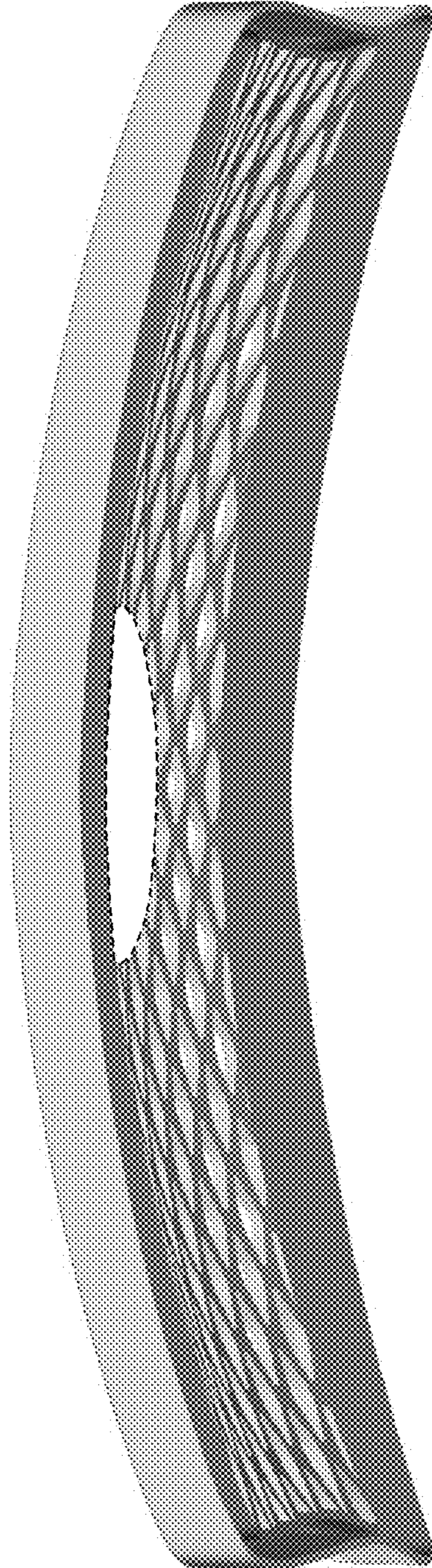


FIG. 3

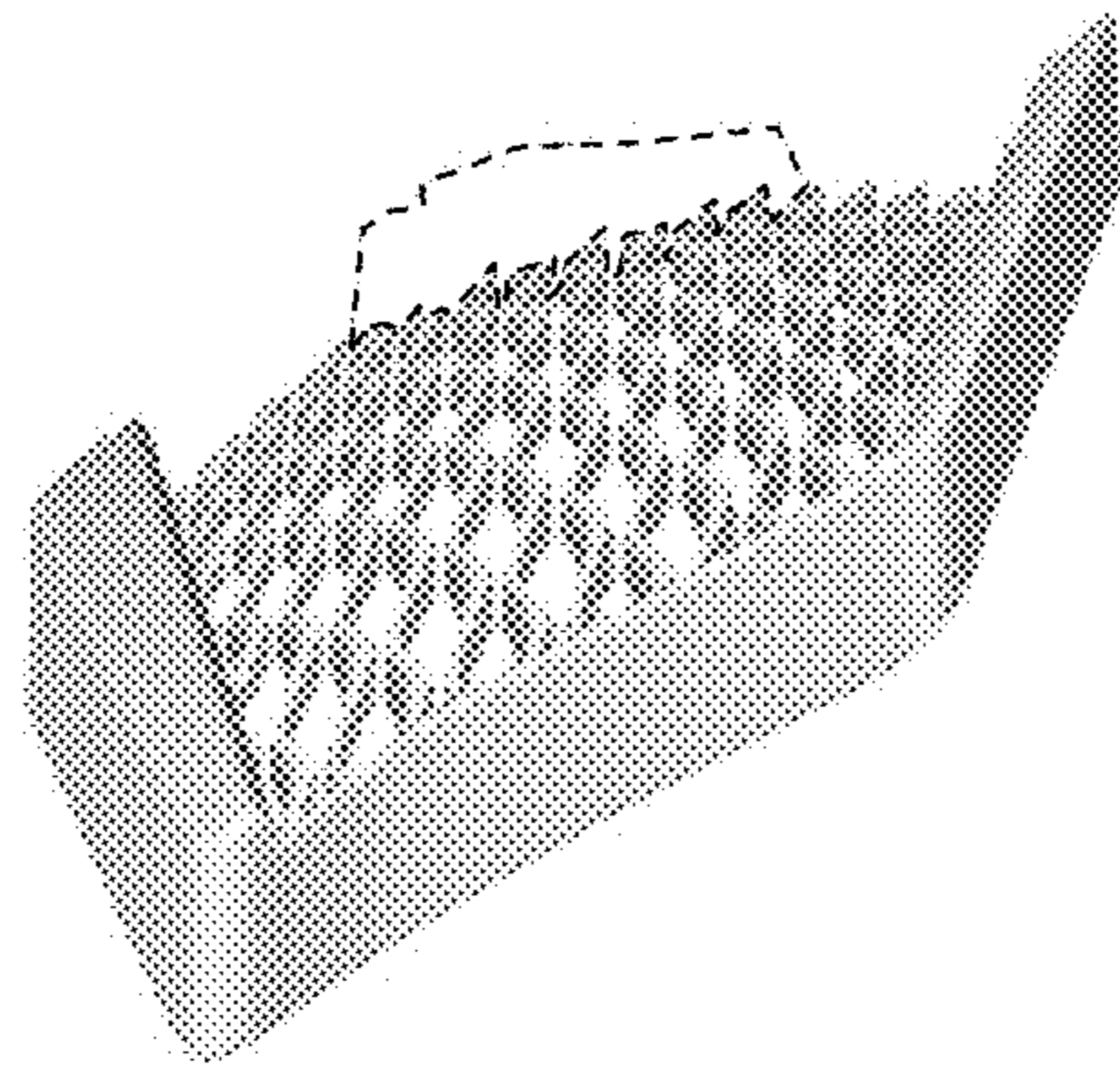


FIG. 4

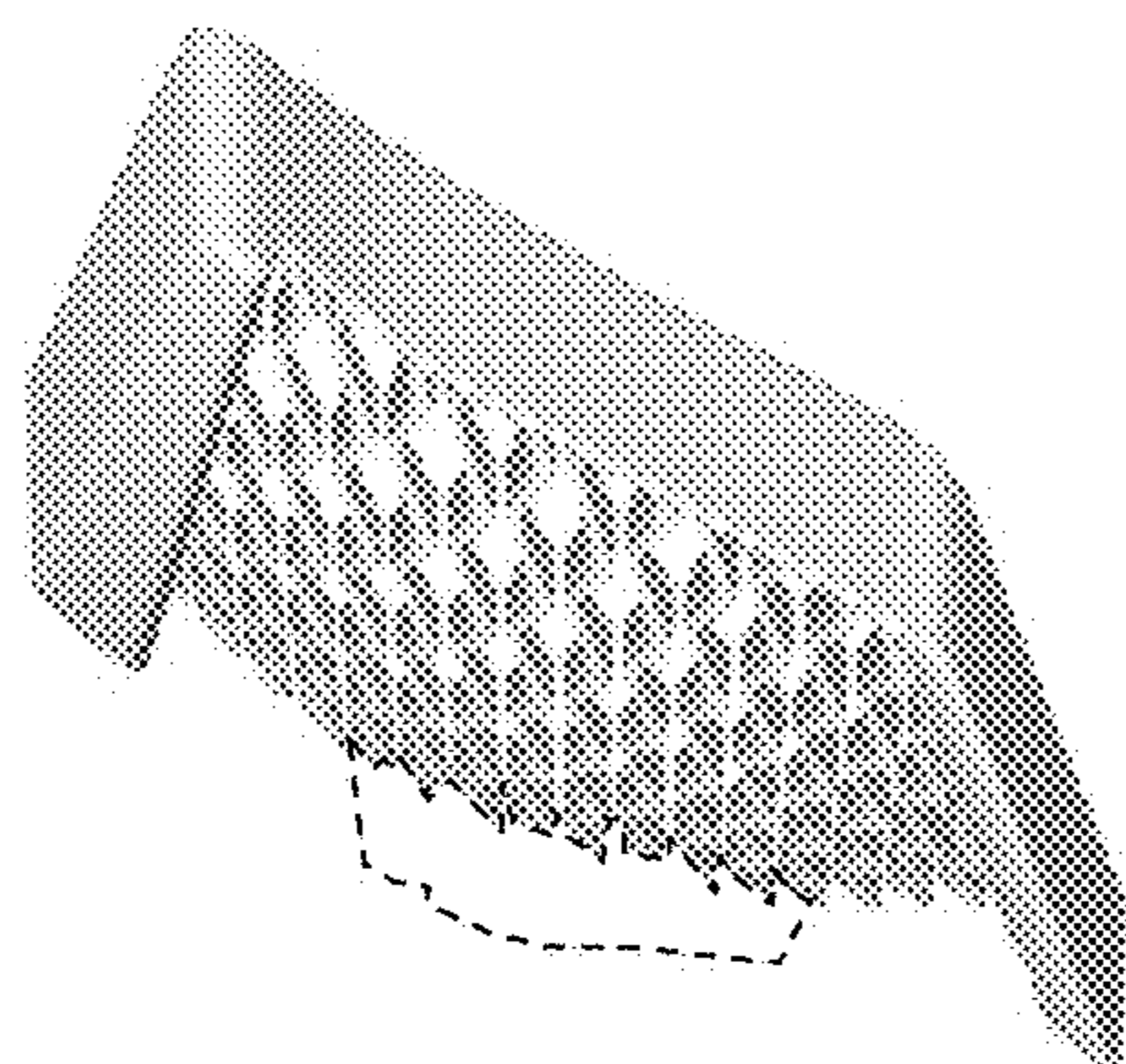


FIG. 5

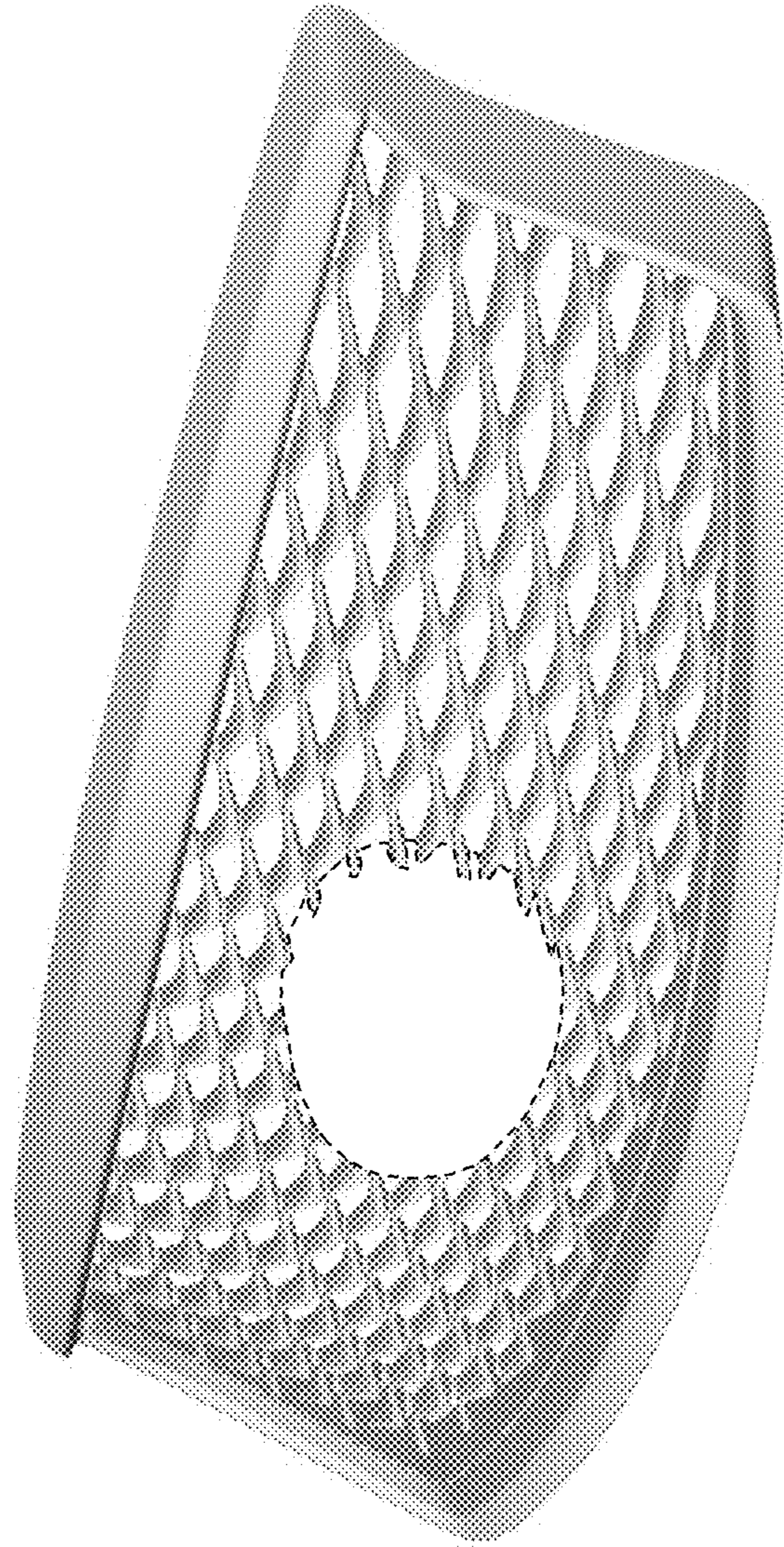


FIG. 6

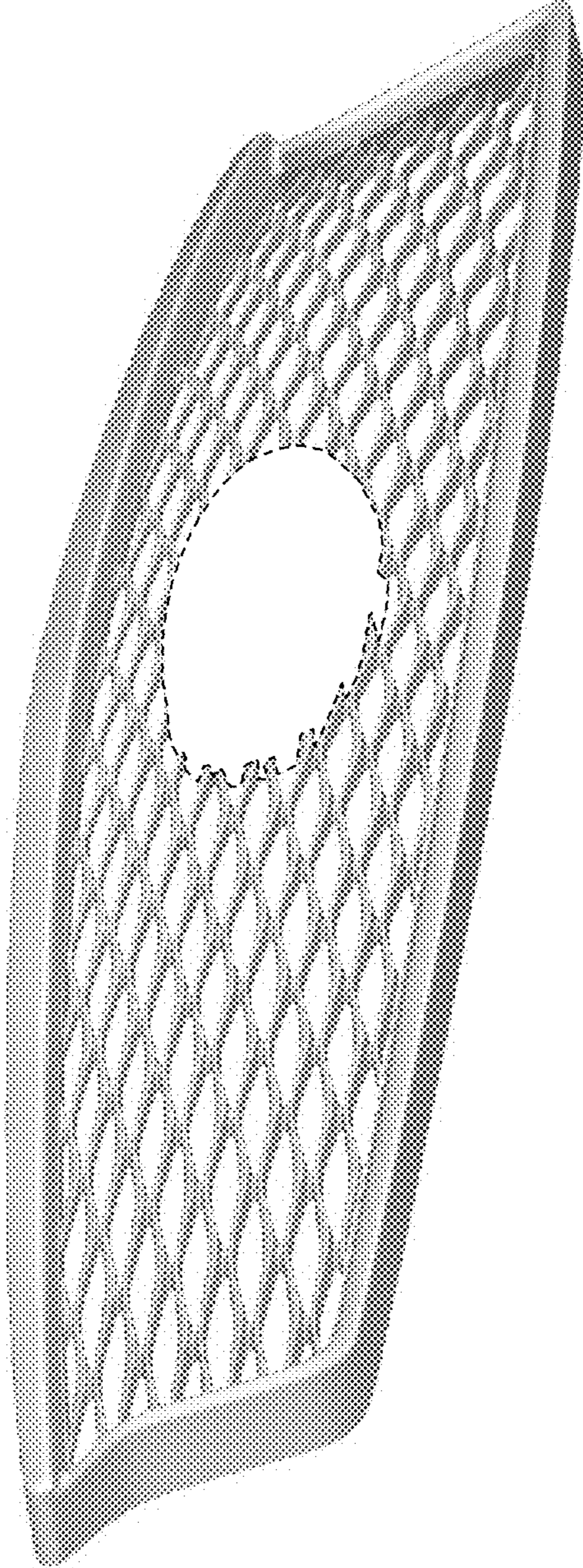


FIG. 7

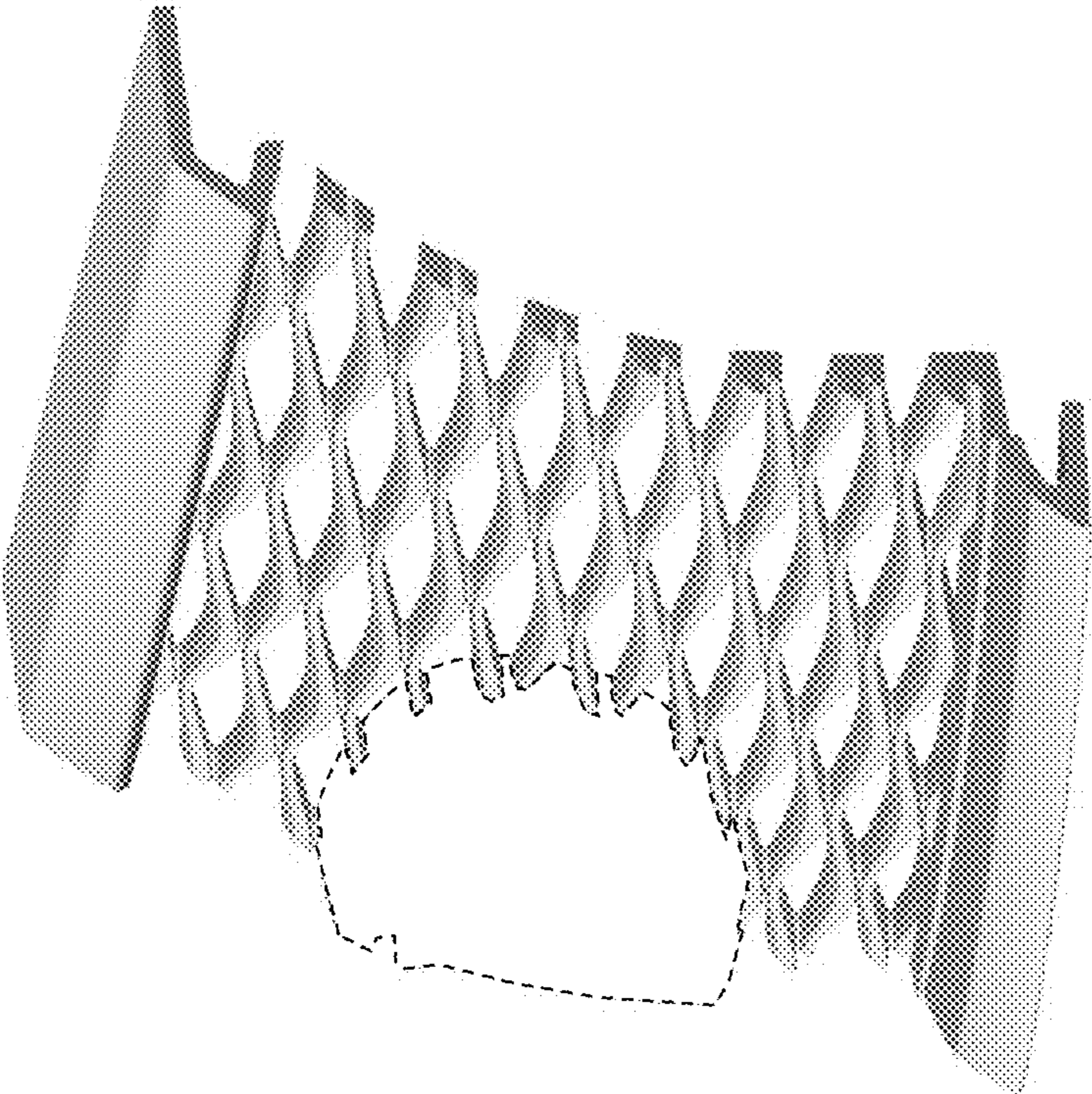


FIG. 8