



US00D773345S

(12) **United States Design Patent** (10) **Patent No.:** **US D773,345 S**
Borkholder (45) **Date of Patent:** **** Dec. 6, 2016**

(54) **ADJUSTABLE TORSION HITCH**
(71) Applicant: **Carl J. Borkholder**, Bremen, IN (US)
(72) Inventor: **Carl J. Borkholder**, Bremen, IN (US)
(**) Term: **15 Years**
(21) Appl. No.: **29/536,732**
(22) Filed: **Aug. 19, 2015**
(51) **LOC (10) Cl.** **12-16**
(52) **U.S. Cl.**
USPC **D12/162**
(58) **Field of Classification Search**
USPC D12/162, 159, 160, 161
CPC B60D 1/60; B60D 1/065; B60D 1/00;
B60D 1/06
See application file for complete search history.

(56) **References Cited**
U.S. PATENT DOCUMENTS
D326,834 S * 6/1992 Kuhlemeier D12/162
D576,085 S * 9/2008 Devlin D12/162
7,455,313 B2 * 11/2008 Yokosh B60D 1/60
150/166
D591,208 S * 4/2009 Wubker, Jr. D12/162
D620,403 S * 7/2010 Blankenship D12/162
D628,128 S * 11/2010 Sanders D12/162
2012/0049484 A1 * 3/2012 Brass B60D 1/60
280/507

* cited by examiner

Primary Examiner — Katrina A Betton
(74) *Attorney, Agent, or Firm* — Botkin & Hall, LLP

(57) **CLAIM**

The ornamental design for an adjustable torsion hitch, as shown and described.

DESCRIPTION

FIG. 1 is a rear isometric view of the adjustable torsion hitch;
FIG. 2 is a front isometric view of the adjustable torsion hitch of FIG. 1;
FIG. 3 is a top view of the adjustable torsion hitch of FIG. 1;
FIG. 4 is a bottom view of the adjustable torsion hitch of FIG. 1;
FIG. 5 is a left view of the adjustable torsion hitch of FIG. 1;
FIG. 6 is a right view of the adjustable torsion hitch of FIG. 1;
FIG. 7 is a front view of the adjustable torsion hitch of FIG. 1; and,
FIG. 8 is a back view of the adjustable torsion hitch of FIG. 1.

1 Claim, 4 Drawing Sheets

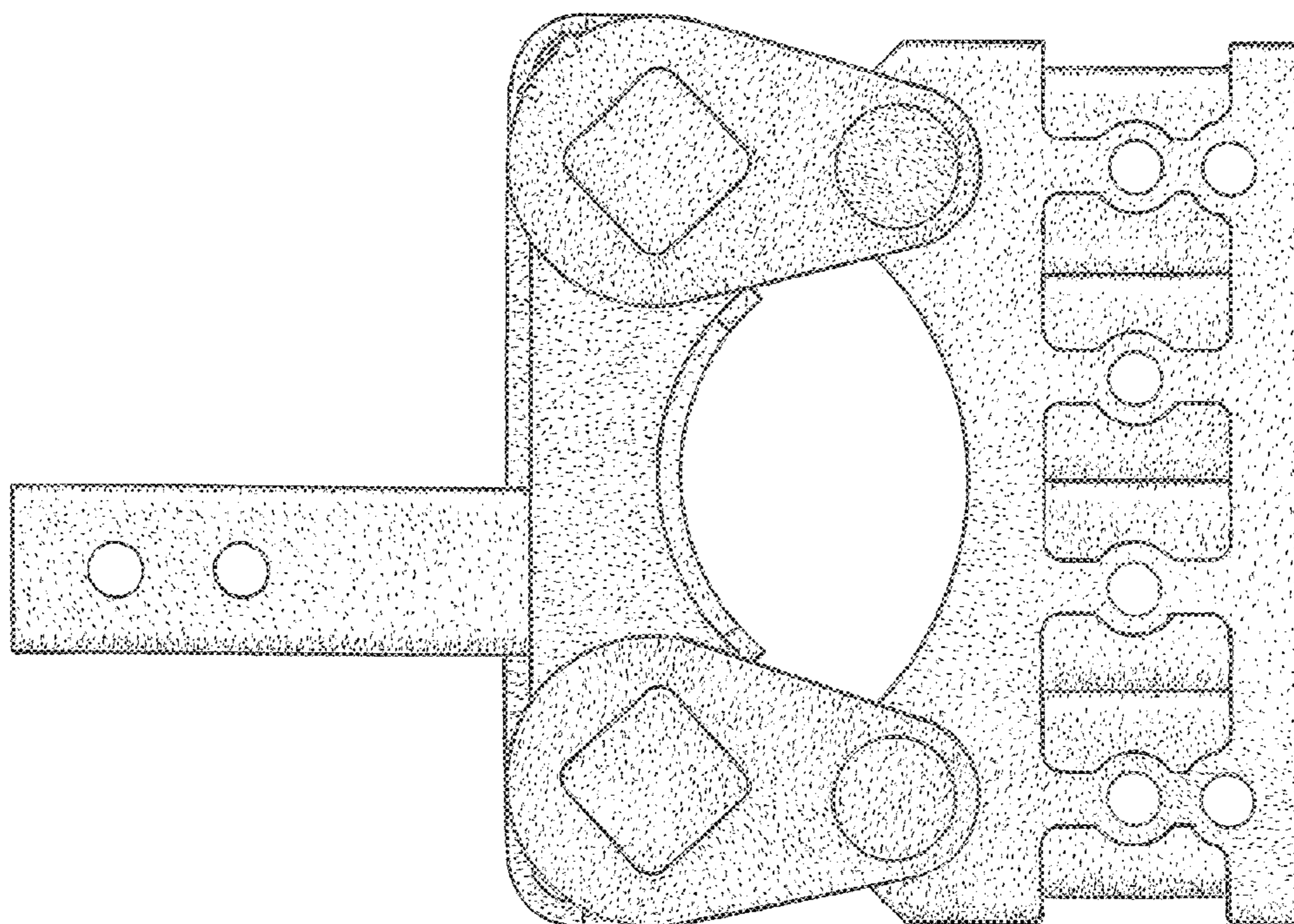


FIG. 1

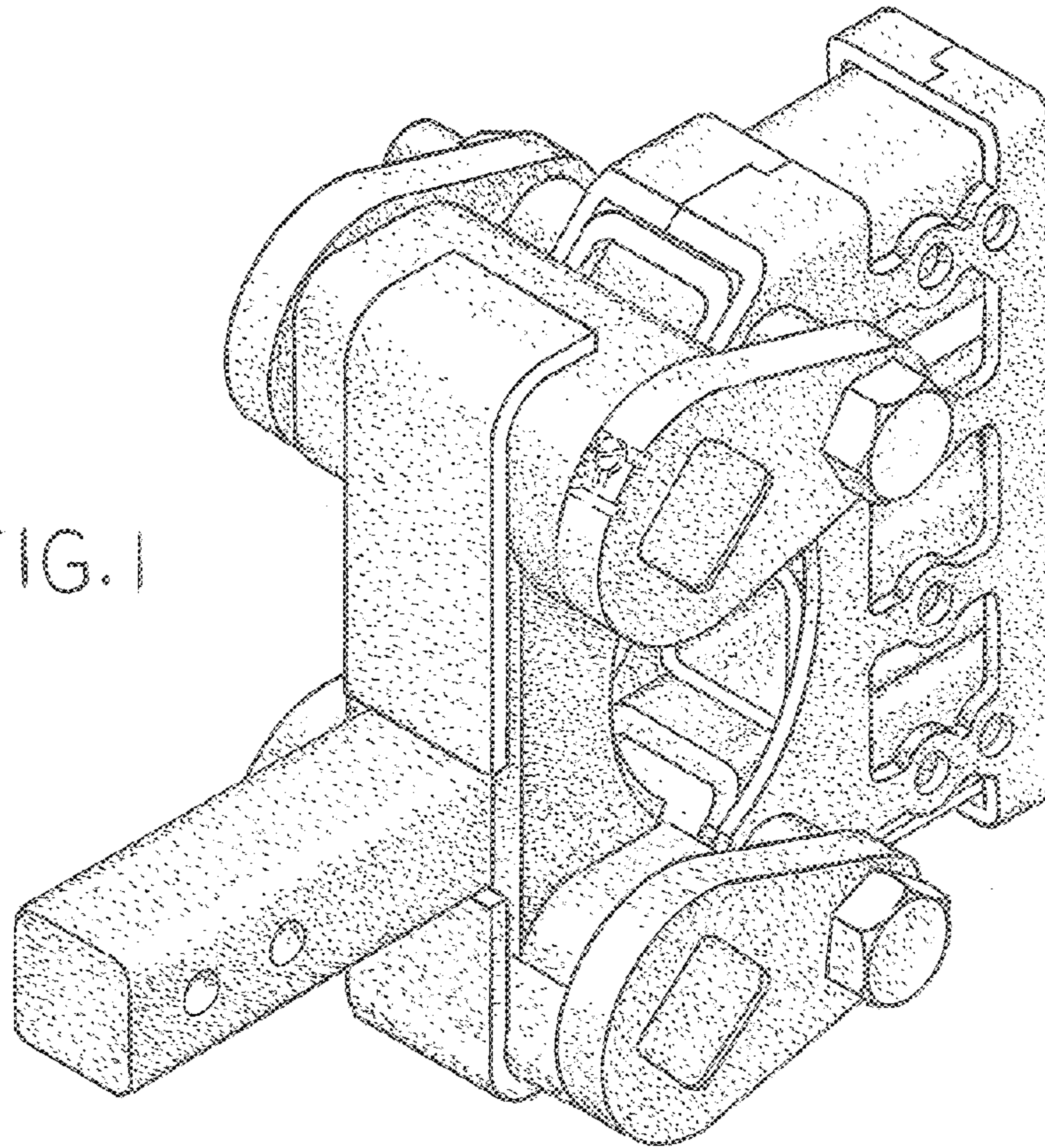


FIG. 2

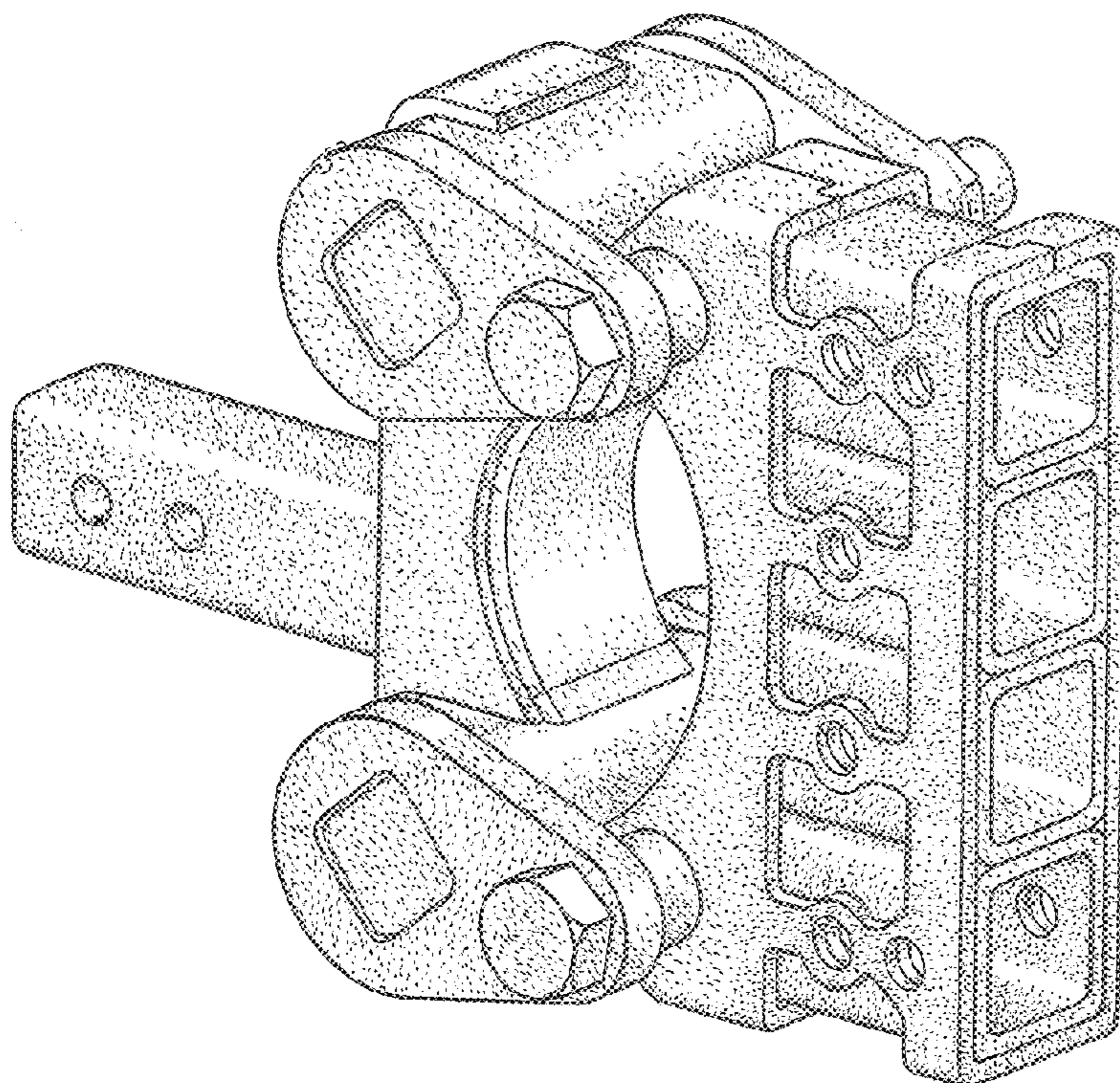


FIG 3

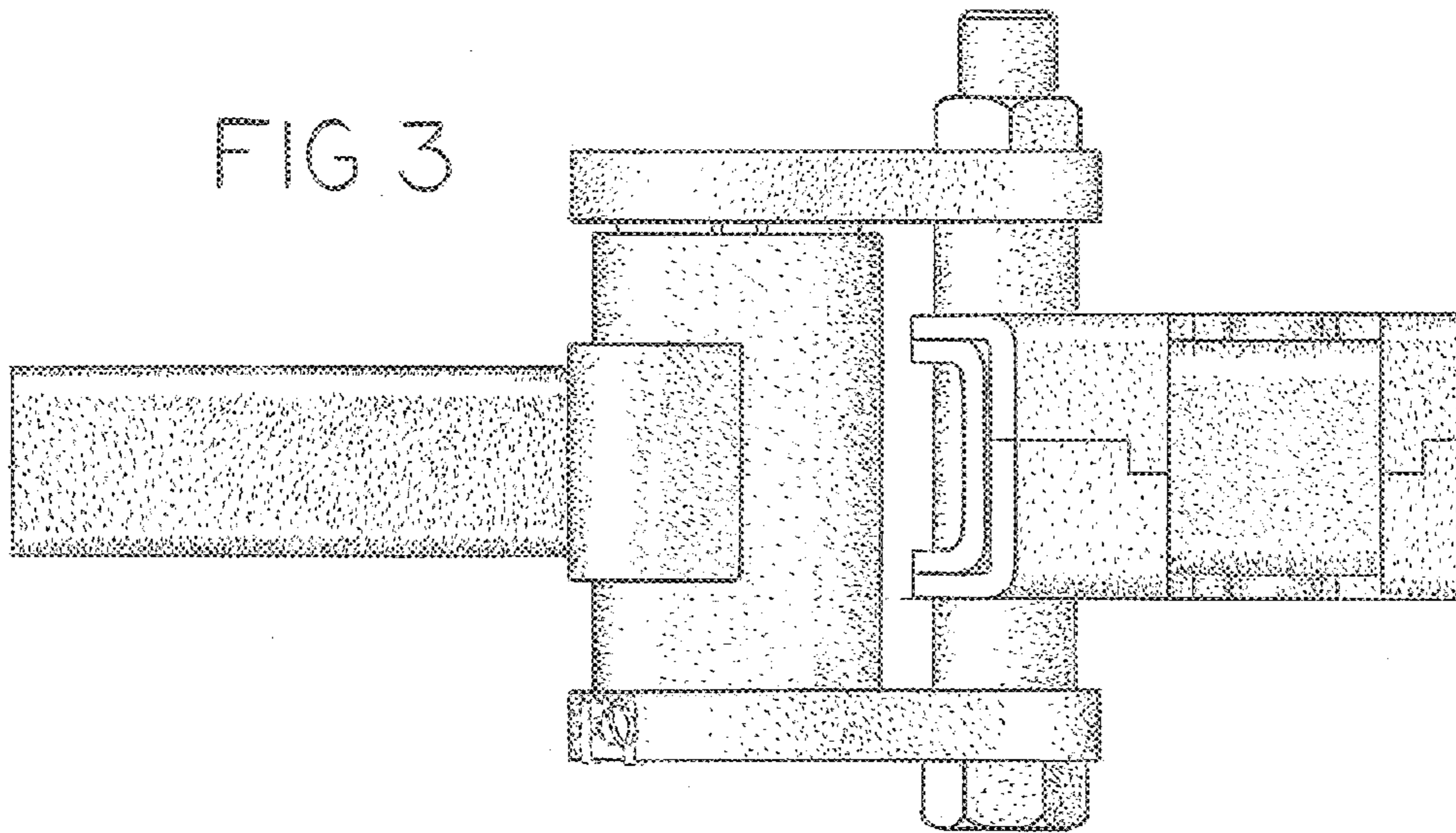
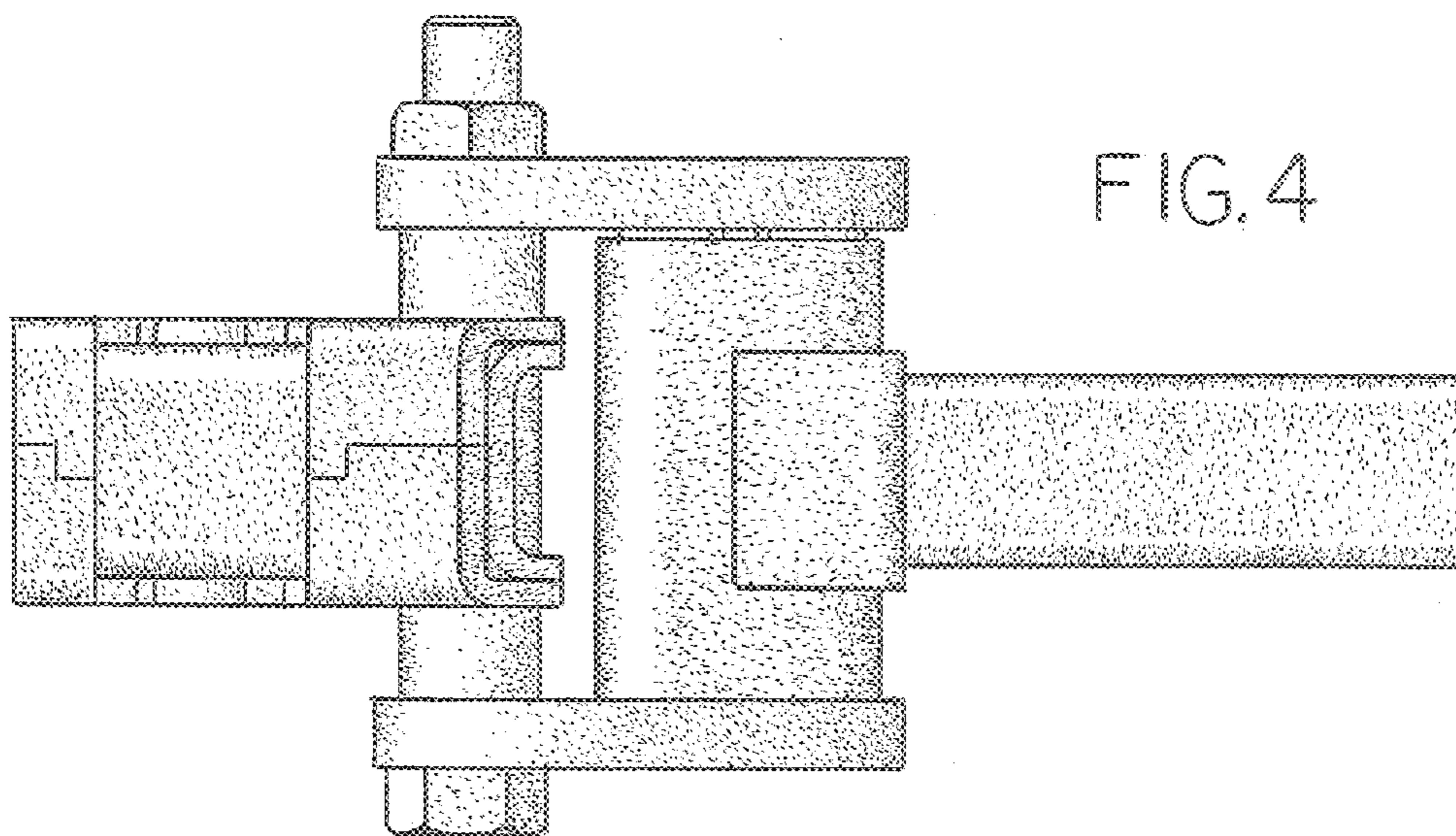


FIG. 4



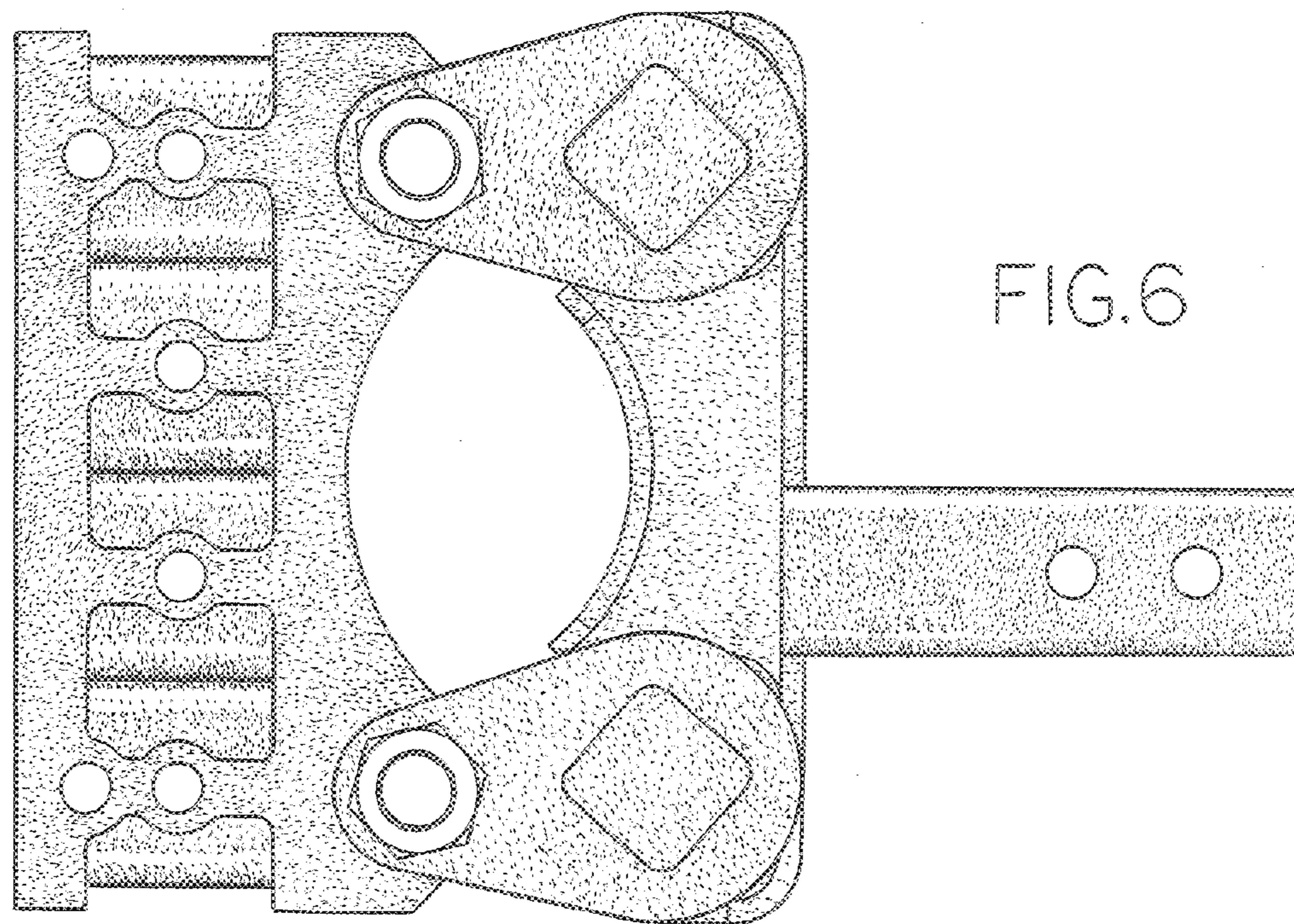
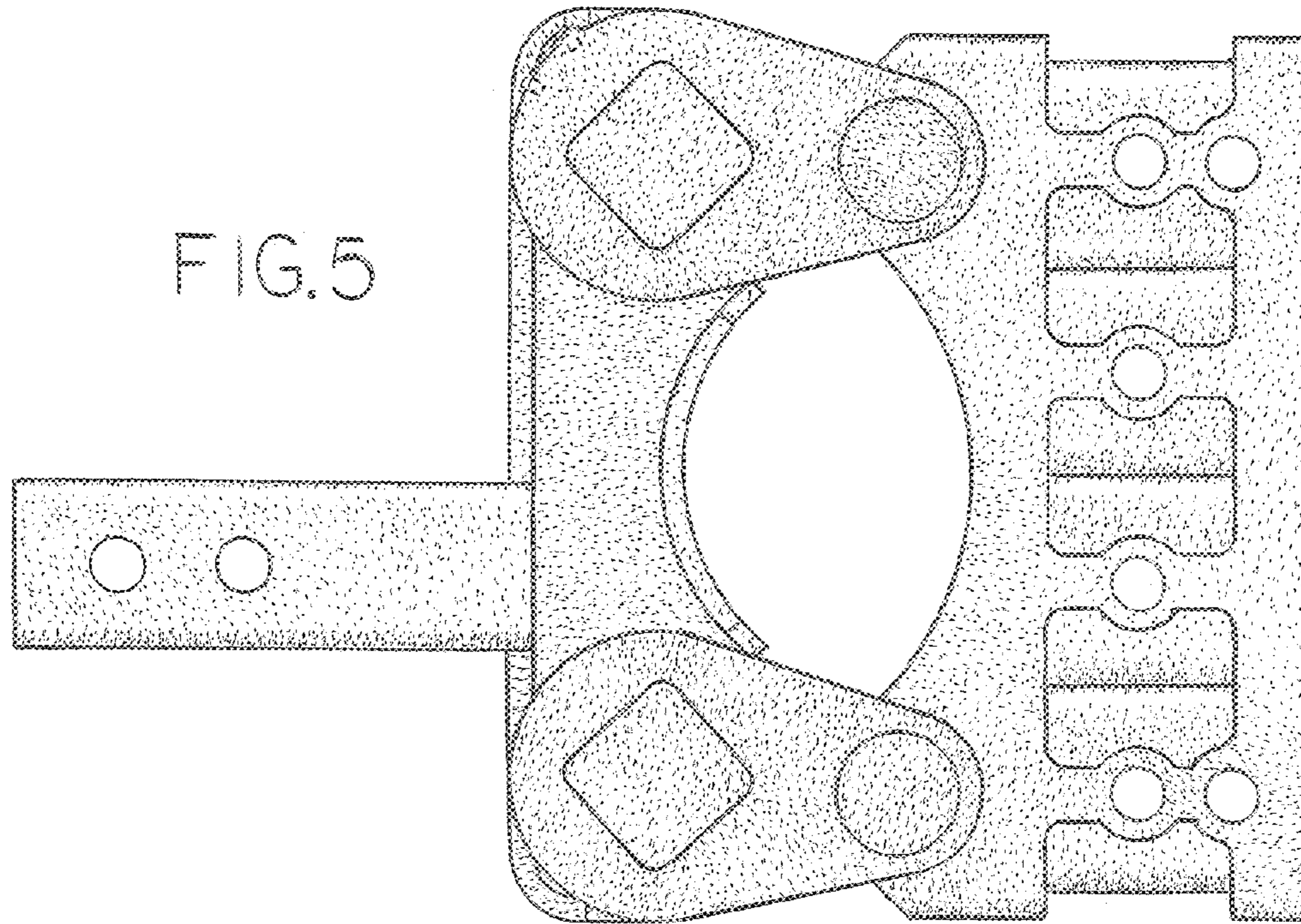


FIG.7

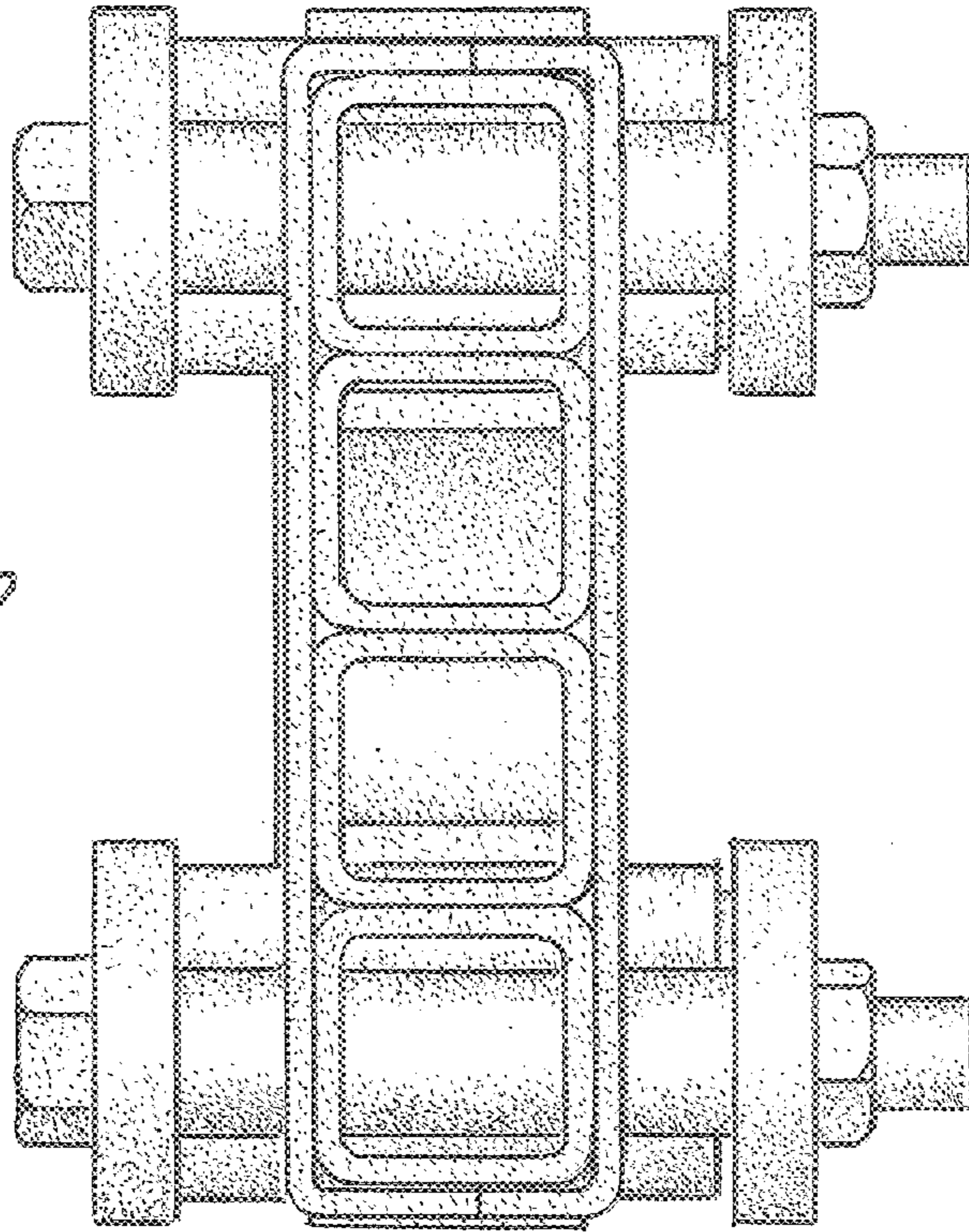


FIG 8

