



US00D773344S

(12) **United States Design Patent**
Tsai

(10) **Patent No.:** **US D773,344 S**

(45) **Date of Patent:** **** Dec. 6, 2016**

(54) **BABY STROLLER FRAME**
(71) Applicant: **Baby Trend Inc.**, Ontario, CA (US)
(72) Inventor: **Denny Tsai**, Chino Hills, CA (US)
(73) Assignee: **BABY TREND INC.**, Ontario (CA)
(**) Term: **15 Years**

D475,951 S * 6/2003 Everett D12/129
D481,976 S * 11/2003 Everett D12/129
6,671,926 B2 * 1/2004 Huang B62B 7/04
16/18 R
D498,713 S * 11/2004 Chou D12/129
D498,714 S * 11/2004 Chou D12/129
6,893,040 B2 * 5/2005 Hou B60N 2/2845
280/642
D519,063 S * 4/2006 Chang D12/129
D622,640 S * 8/2010 Gower D12/129
D687,352 S * 8/2013 Shellenberger D12/129

(21) Appl. No.: **29/545,452**

* cited by examiner

(22) Filed: **Nov. 12, 2015**

Primary Examiner — Charles Hanson

(51) **LOC (10) Cl.** **12-12**

(74) *Attorney, Agent, or Firm* — Chen Yoshimura LLP

(52) **U.S. Cl.**
USPC **D12/129**

(57) **CLAIM**

The ornamental design for a baby stroller frame, as shown.

(58) **Field of Classification Search**
USPC D12/128–133
CPC B62B 7/00–7/04; B62B 9/00–9/28
See application file for complete search history.

DESCRIPTION

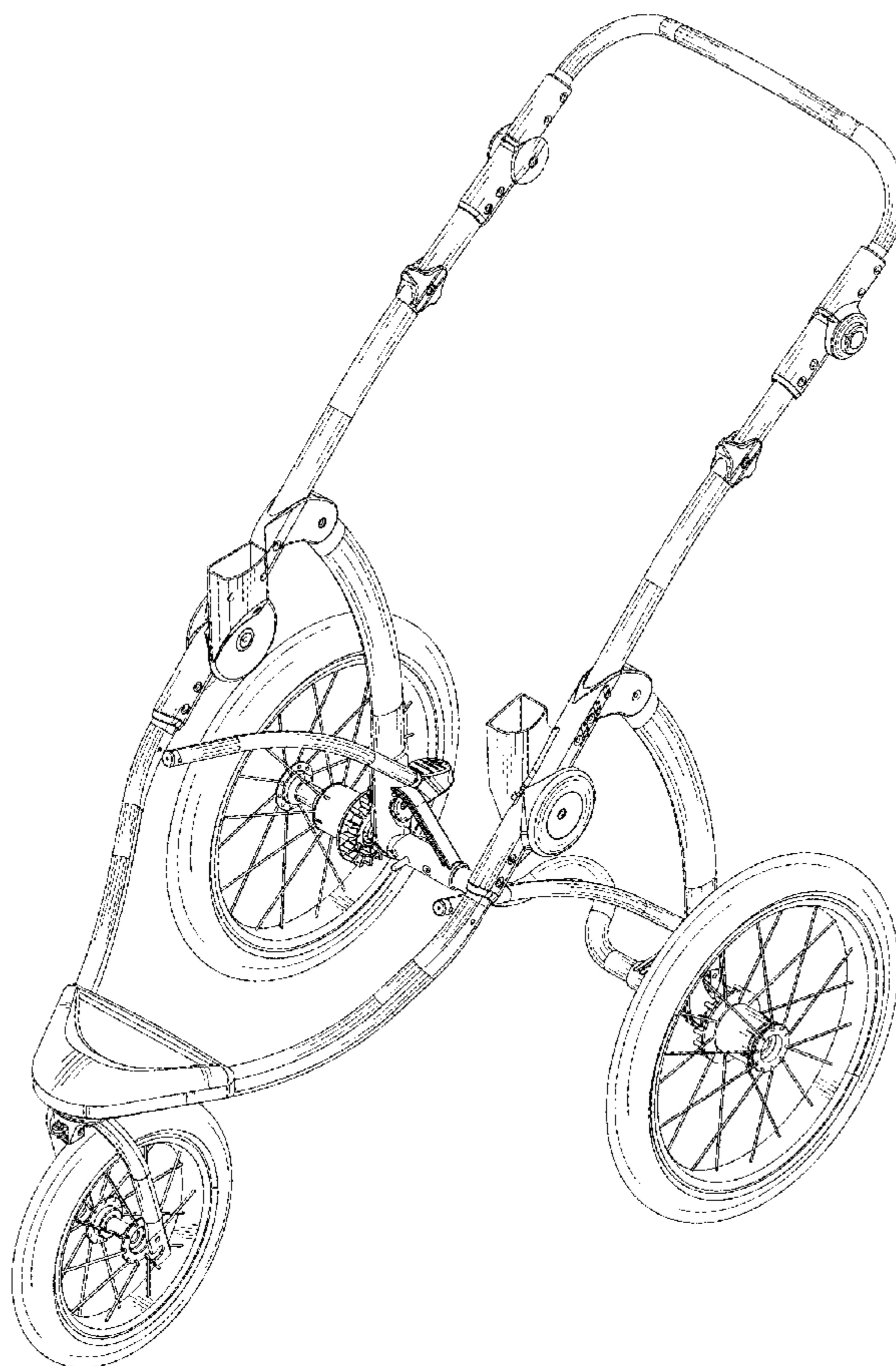
FIG. 1 is a front, top and right side perspective view of a baby stroller frame showing my new design; FIG. 2 is a front elevational view thereof; FIG. 3 is a rear elevational view thereof; FIG. 4 is a left side elevational view thereof; FIG. 5 is a right side elevational view thereof; FIG. 6 is a top plan view thereof; and, FIG. 7 is a bottom plan view thereof.

(56) **References Cited**

U.S. PATENT DOCUMENTS

D371,094 S * 6/1996 Hinkston D12/129
D408,768 S * 4/1999 Baechler D12/102
D442,895 S * 5/2001 Chiu D12/129
D452,195 S * 12/2001 Baechler D12/129

1 Claim, 7 Drawing Sheets



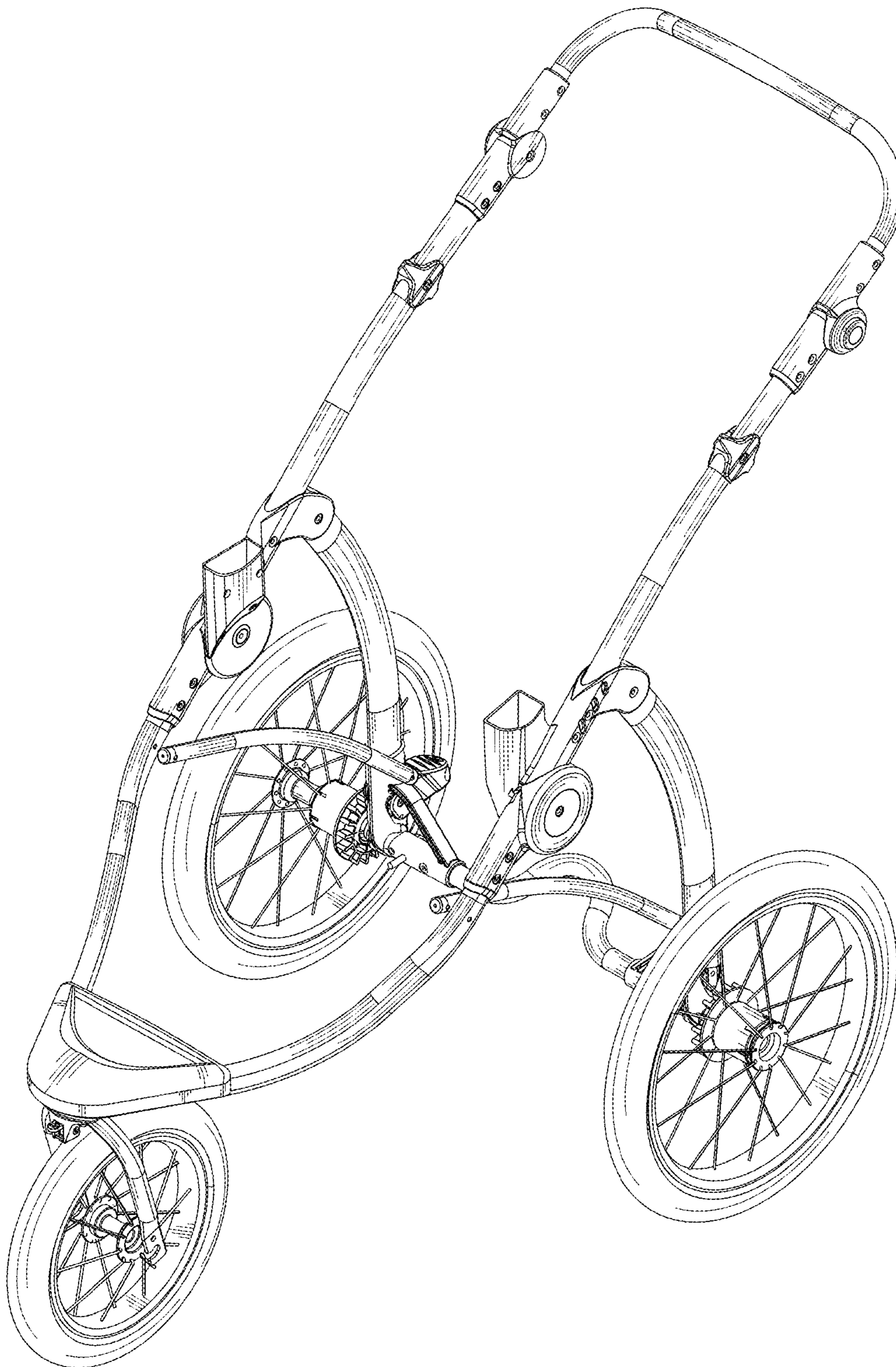


FIG. 1

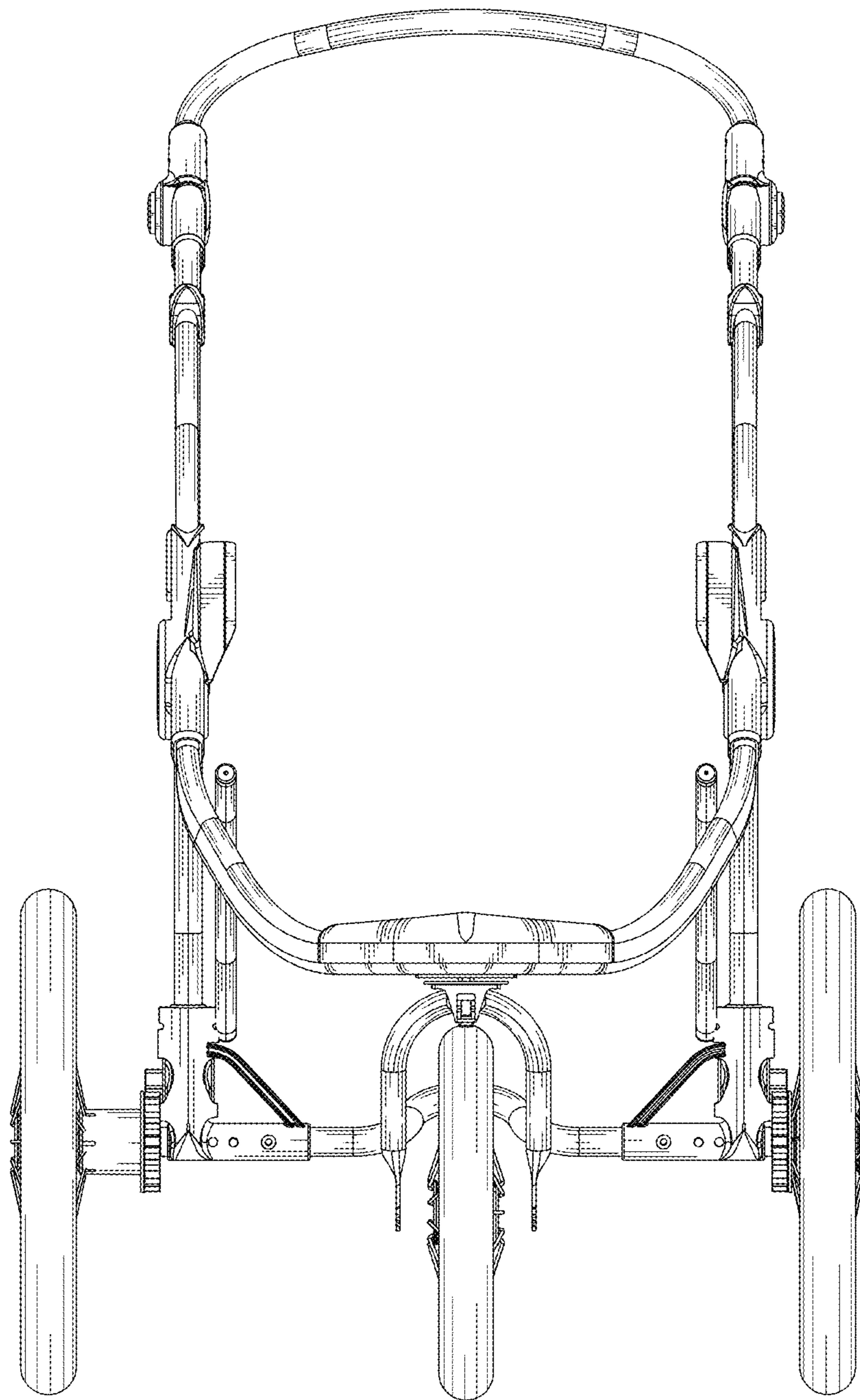


FIG. 2

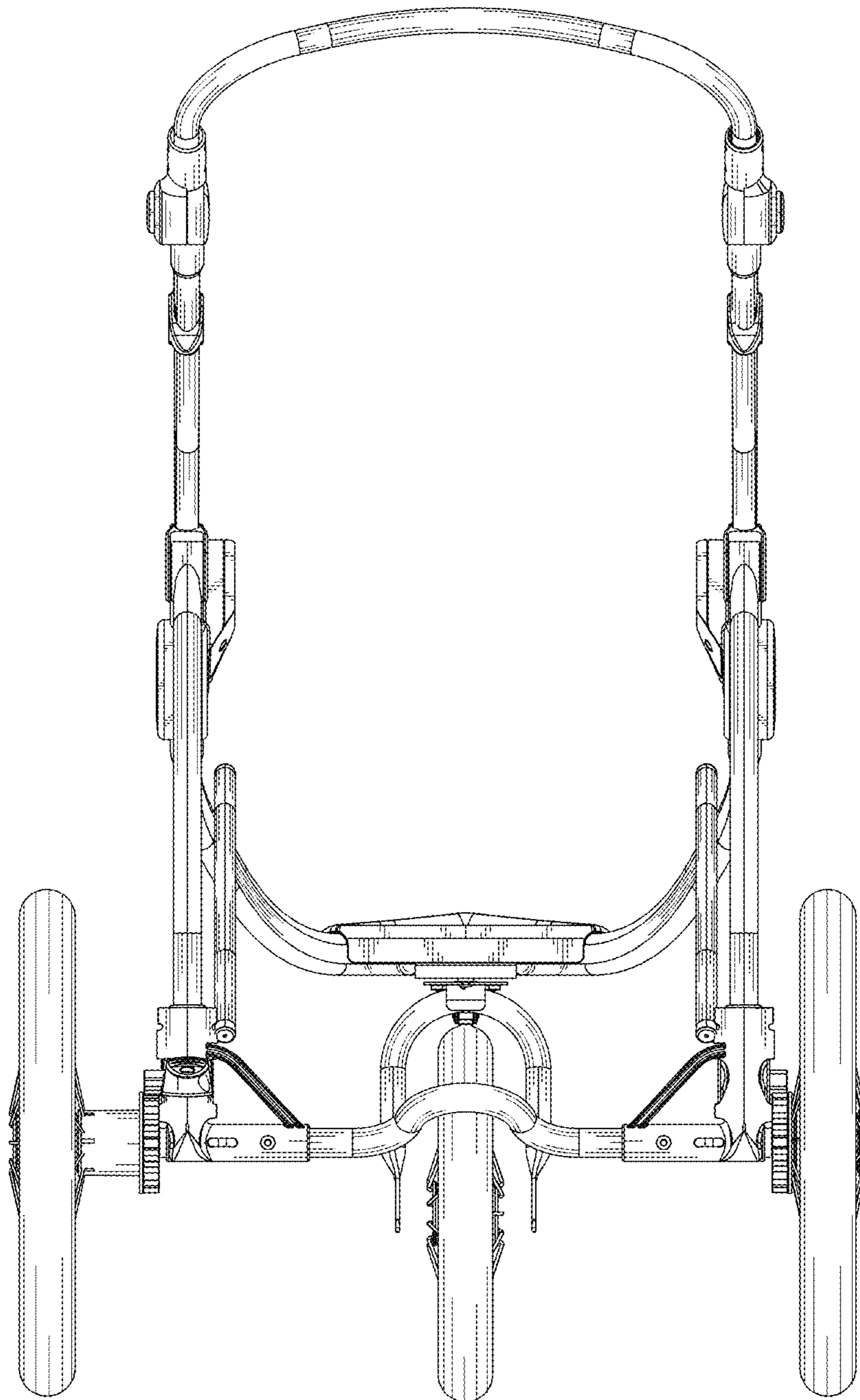


FIG. 3

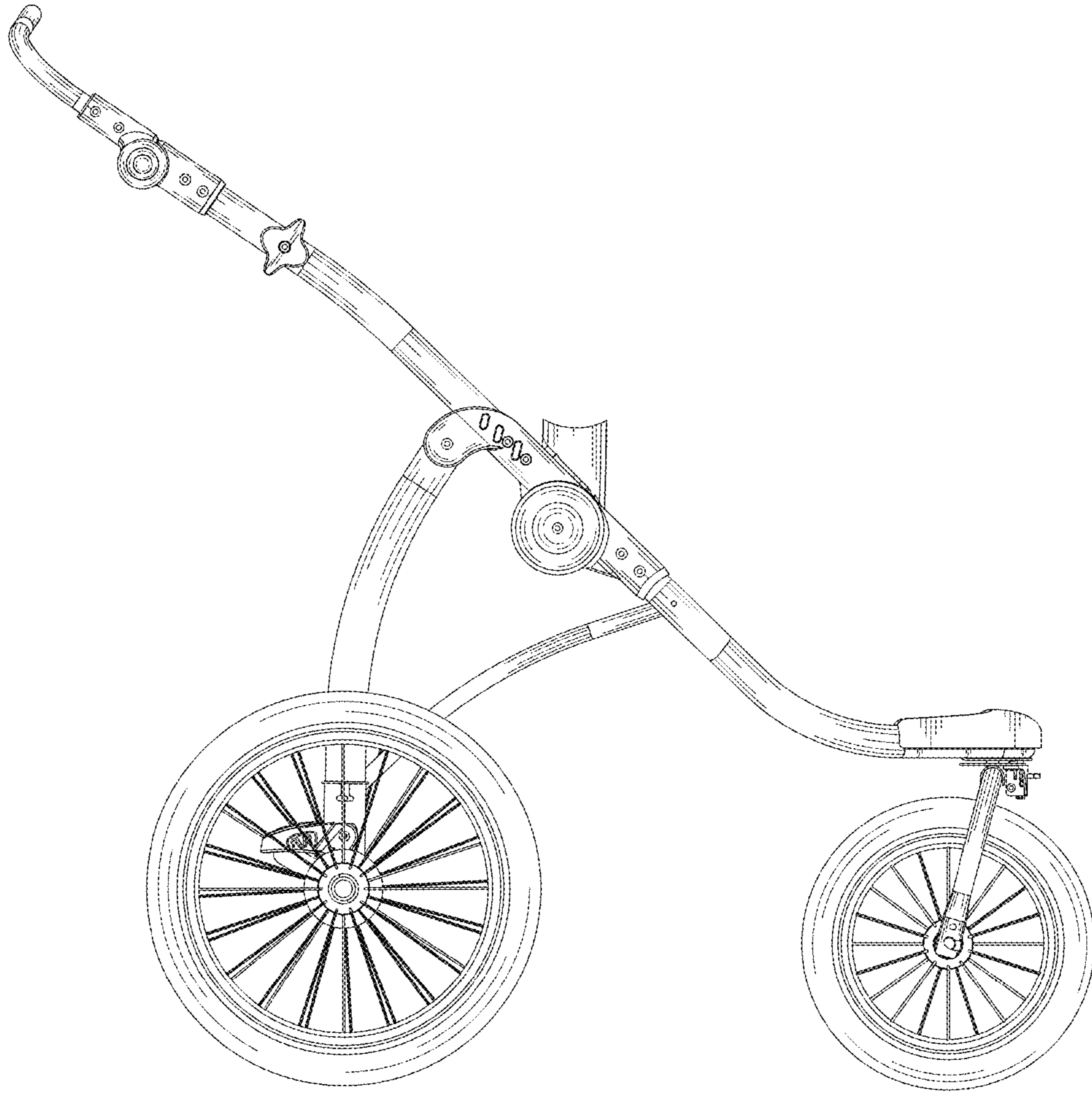


FIG. 4

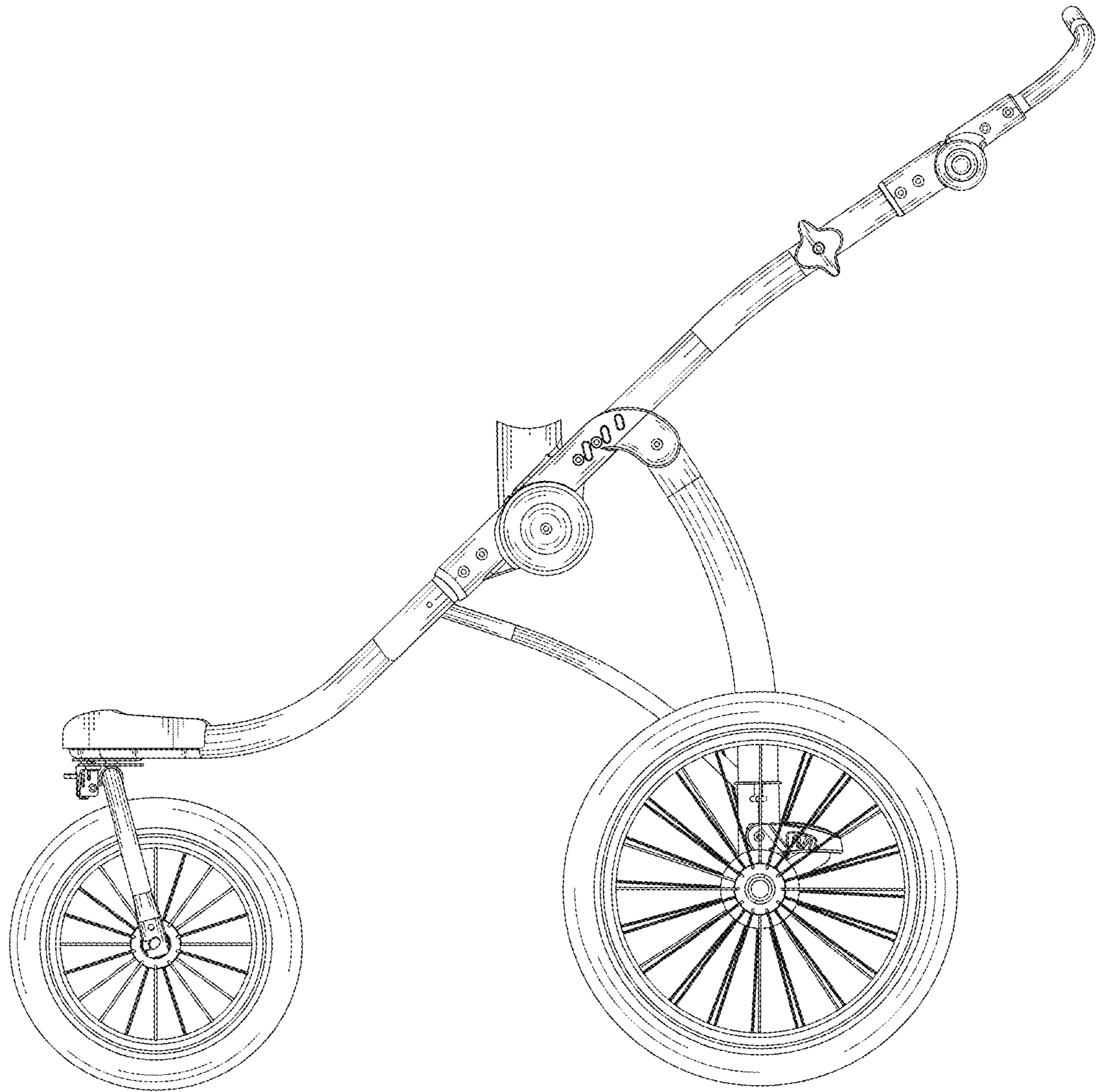


FIG. 5

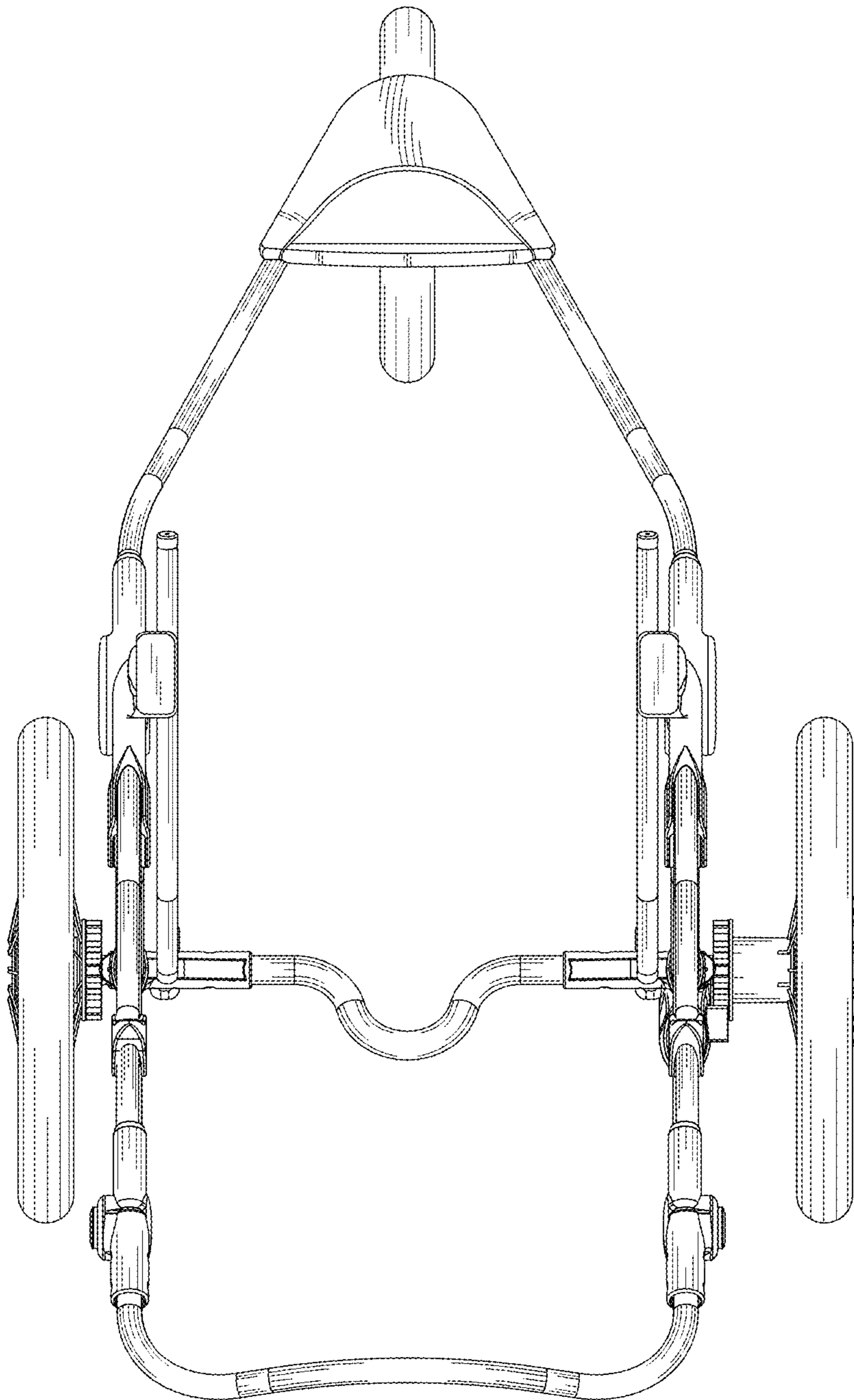


FIG. 6

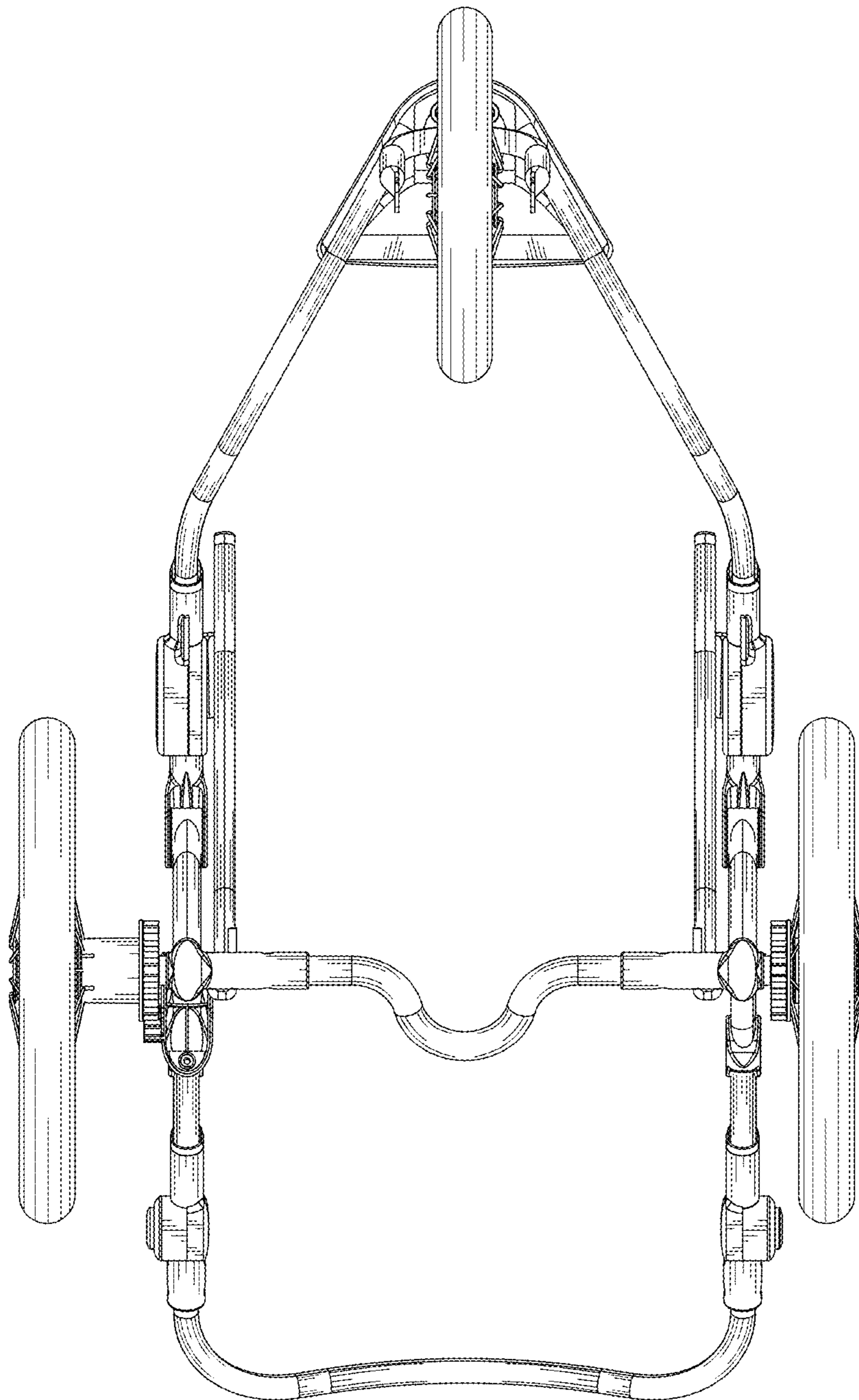


FIG. 7