



US00D773343S

(12) **United States Design Patent**
Tsai

(10) **Patent No.:** **US D773,343 S**
(45) **Date of Patent:** **** Dec. 6, 2016**

- (54) **BABY STROLLER FRAME**
- (71) Applicant: **Baby Trend Inc.**, Ontario, CA (US)
- (72) Inventor: **Denny Tsai**, Chino Hills, CA (US)
- (73) Assignee: **BABY TREND INC.**, Ontario (CA)
- (**) Term: **15 Years**
- (21) Appl. No.: **29/545,445**
- (22) Filed: **Nov. 12, 2015**
- (51) **LOC (10) Cl.** **12-12**
- (52) **U.S. Cl.**
USPC **D12/129**
- (58) **Field of Classification Search**
USPC D12/128-133
CPC B62B 7/00-7/04; B62B 9/00-9/28
See application file for complete search history.

7,021,651 B2 *	4/2006	Lan	B60B 33/026	280/47.371
D529,844 S *	10/2006	Chen	D12/129	
D558,099 S *	12/2007	Yang	D12/129	
D578,936 S *	10/2008	Chen	D12/129	
D585,338 S *	1/2009	Siewertsen	D12/129	
D587,635 S *	3/2009	Gower	D12/129	
D616,340 S *	5/2010	Wu	D12/129	
D687,352 S *	8/2013	Shellenberger	D12/129	
D723,746 S *	3/2015	Jakubowski	D30/109	
D724,501 S *	3/2015	Reinius	D12/129	
D749,990 S *	2/2016	Reinius	D12/129	

* cited by examiner

Primary Examiner — Charles Hanson
(74) *Attorney, Agent, or Firm* — Chen Yoshimura LLP

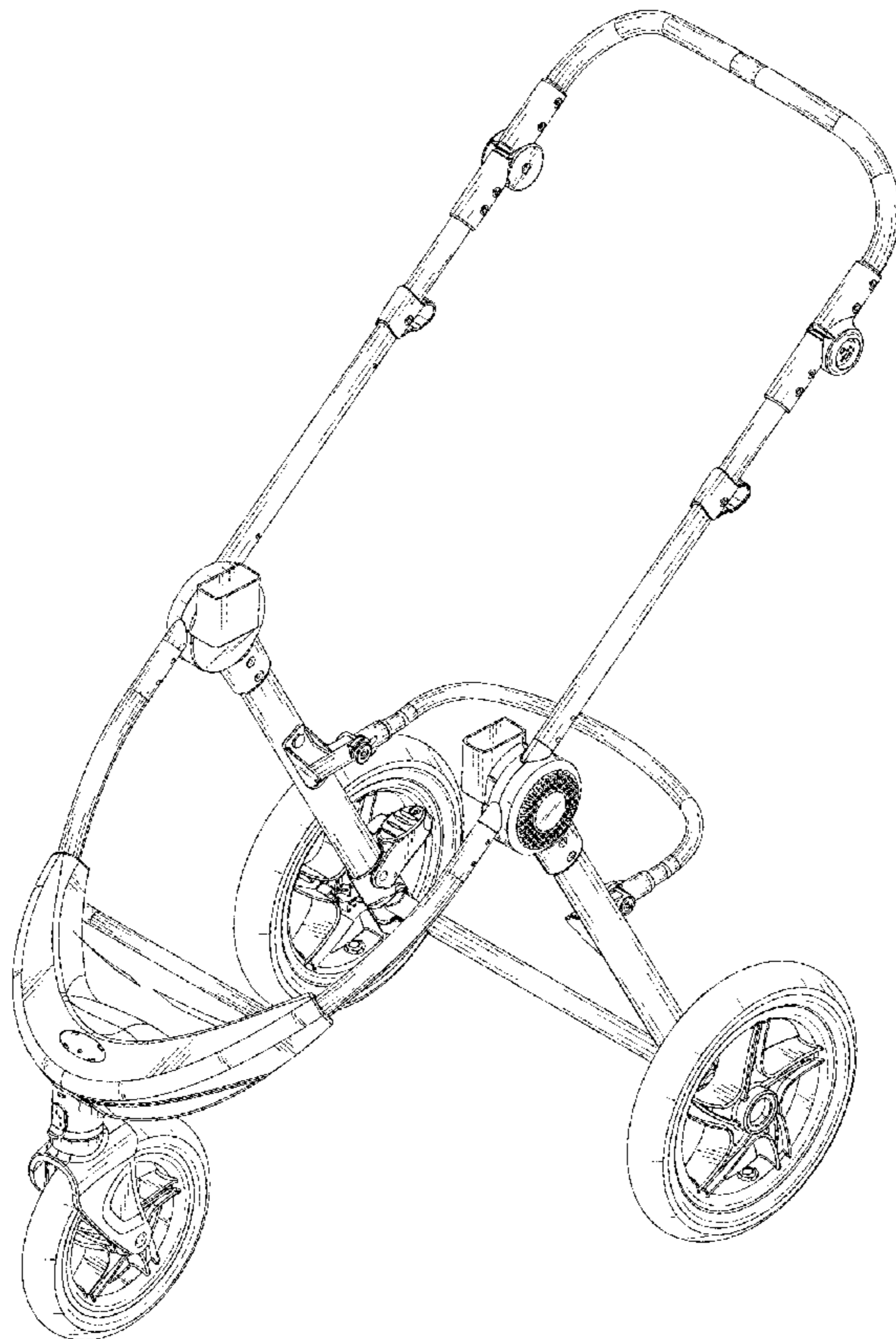
(57) **CLAIM**
The ornamental design for a baby stroller frame, as shown.

DESCRIPTION

FIG. 1 is a front, top and right side perspective view of a baby stroller frame showing my new design; FIG. 2 is a front elevational view thereof; FIG. 3 is a rear elevational view thereof; FIG. 4 is a right side elevational view thereof; FIG. 5 is a left side elevational view thereof; FIG. 6 is a top plan view thereof; and, FIG. 7 is a bottom plan view thereof.

1 Claim, 7 Drawing Sheets

- (56) **References Cited**
U.S. PATENT DOCUMENTS
D442,895 S * 5/2001 Chiu D12/129
6,893,040 B2 * 5/2005 Hou B60N 2/2845
280/642



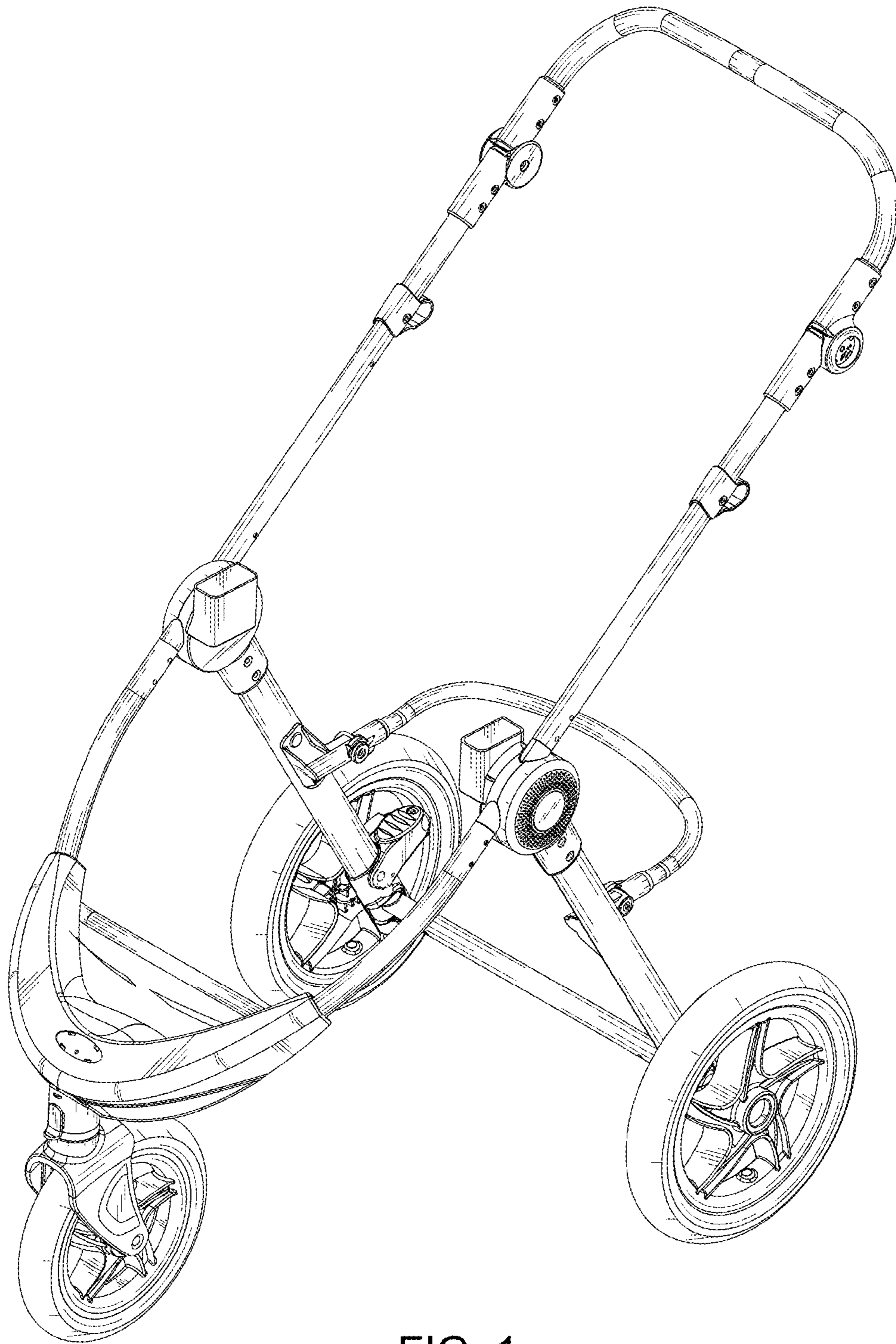


FIG. 1

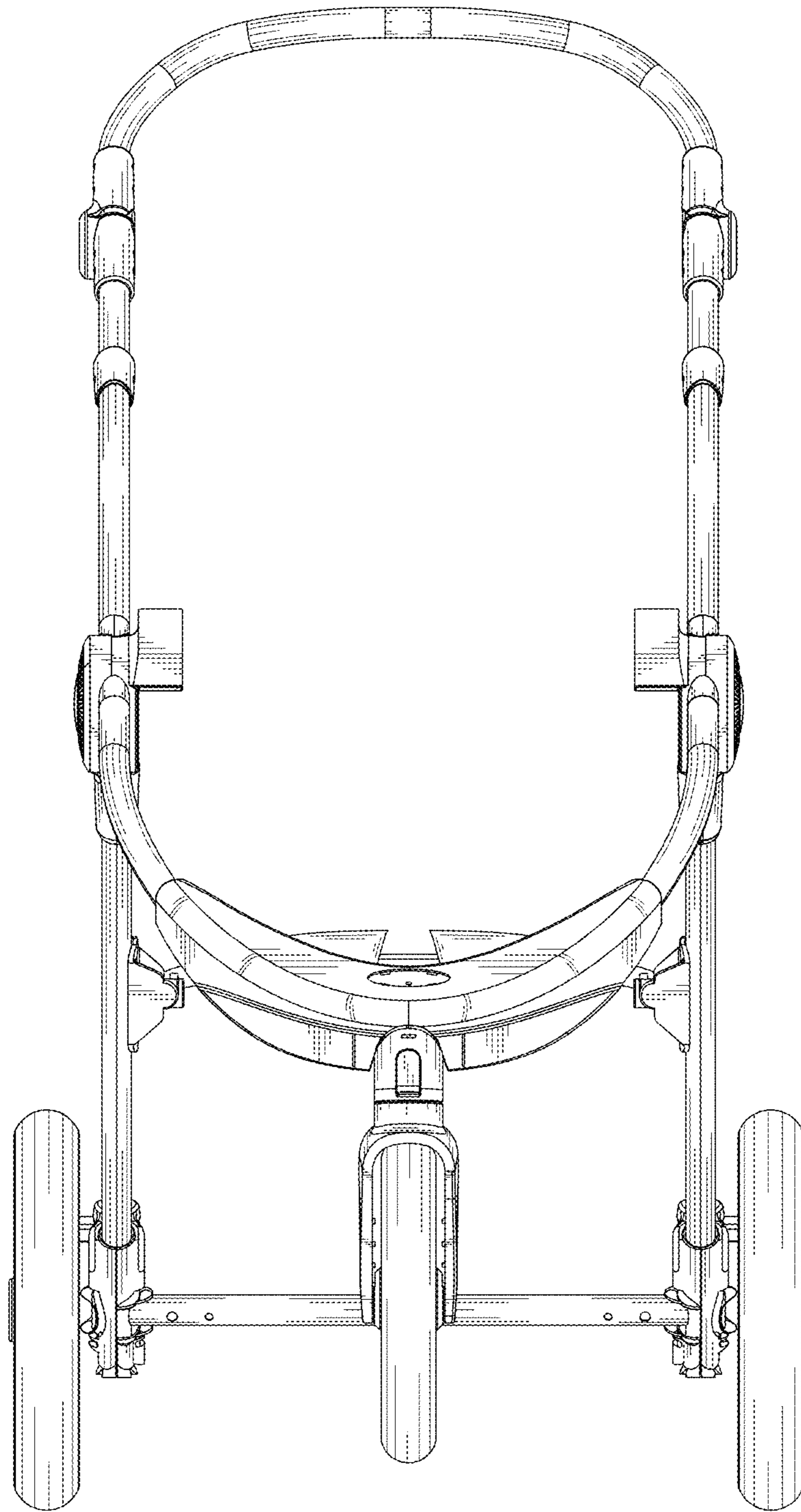


FIG. 2

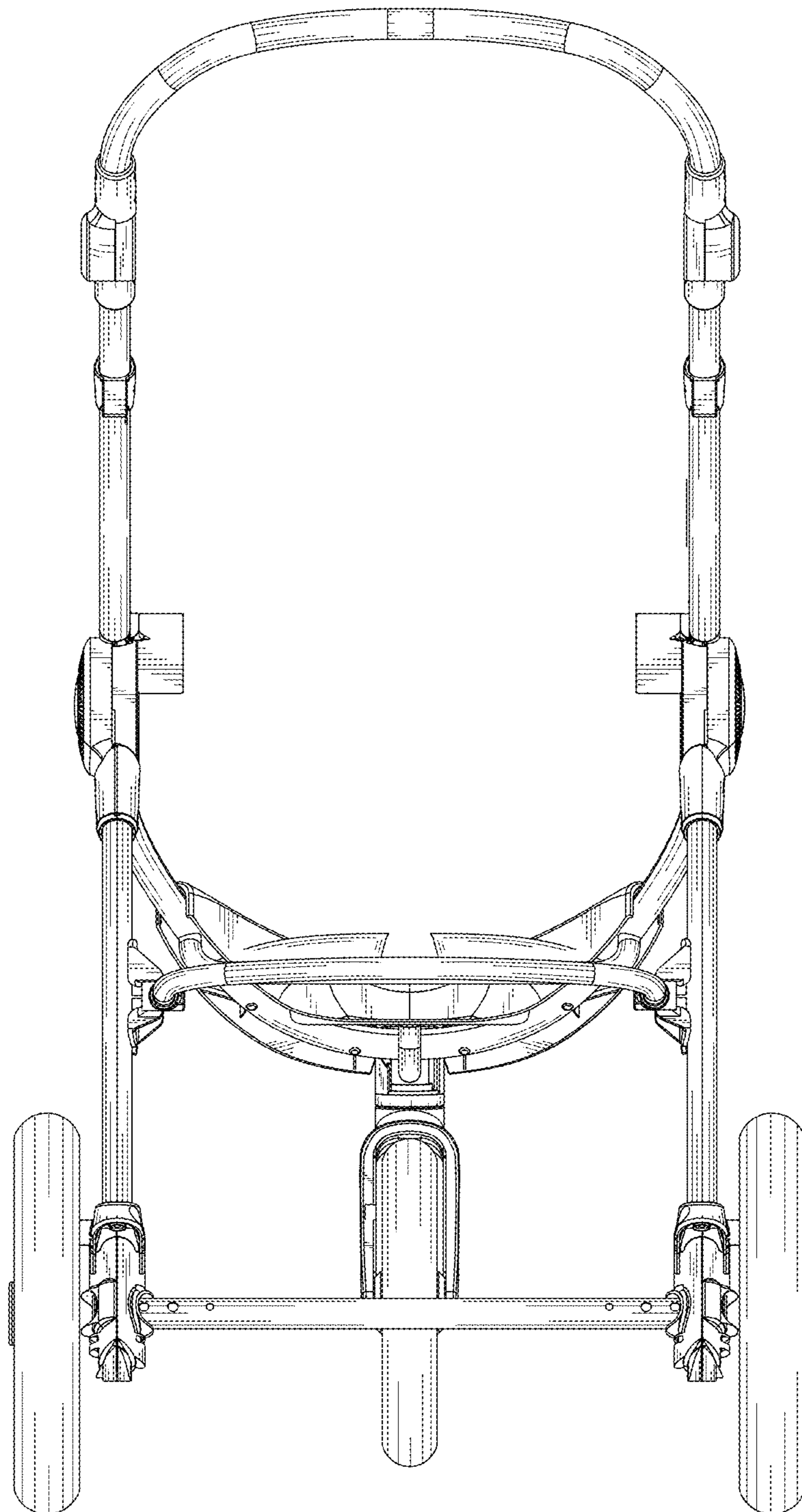


FIG. 3

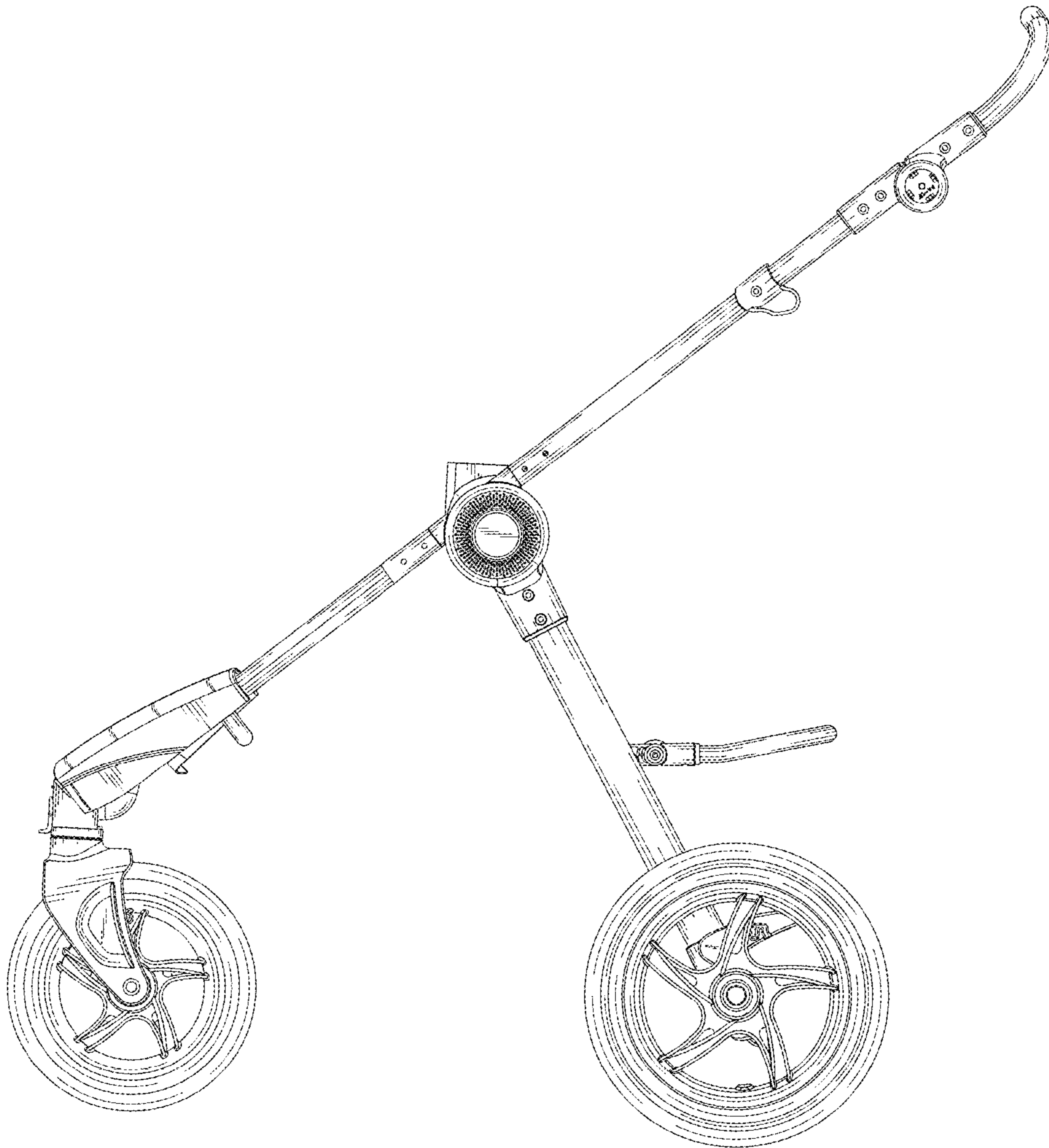


FIG. 4

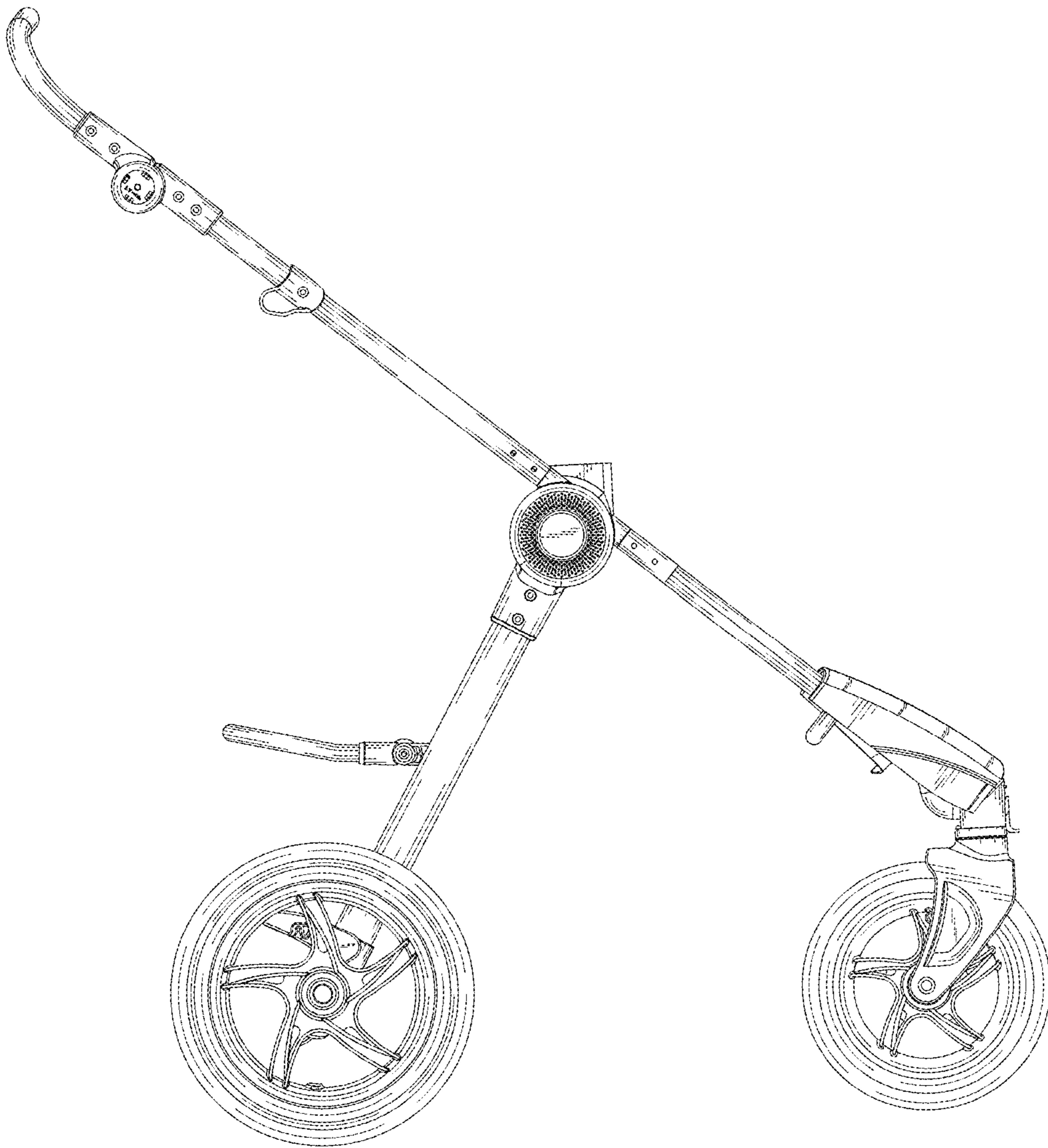


FIG. 5

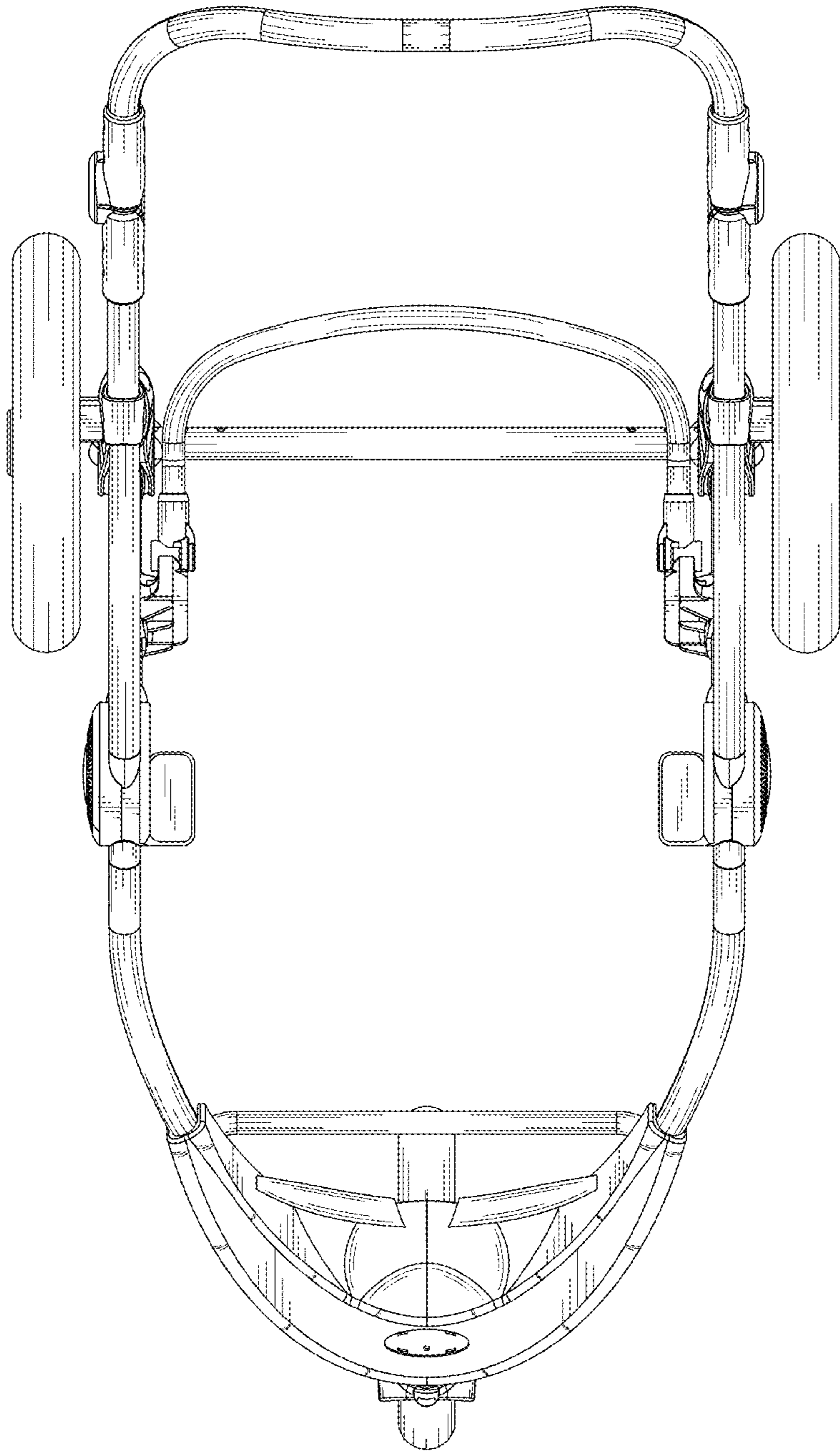


FIG. 6

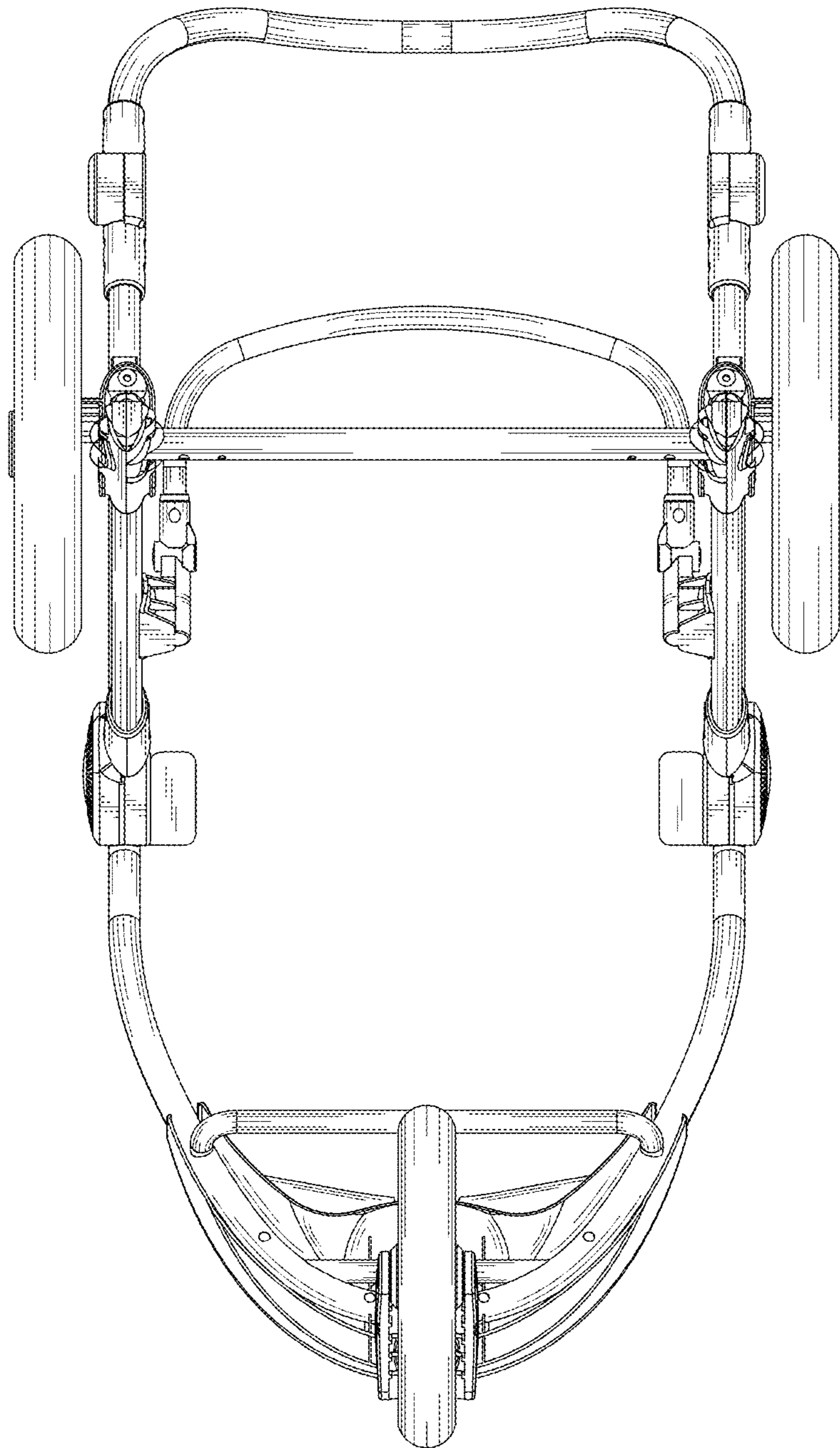


FIG. 7