



US00D773342S

(12) **United States Design Patent** (10) **Patent No.:** **US D773,342 S**
Schoonover (45) **Date of Patent:** **** Dec. 6, 2016**

(54) **DUAL BULBOUS SEAL**
(71) Applicant: **LTI Flexible Products, Inc.**, Modesto, CA (US)
(72) Inventor: **James Schoonover**, Shelby Township, MI (US)
(73) Assignee: **LTI Flexible Products, Inc.**, Modesto, CA (US)

D741,231 S * 10/2015 Schoonover D12/106
D741,232 S * 10/2015 Schoonover D12/106
2014/0326419 A1* 11/2014 Ona-Gonzalez E04F 11/1853
160/115

* cited by examiner

Primary Examiner — Susan Bennett Hattan
Assistant Examiner — Leanne Was
(74) *Attorney, Agent, or Firm* — Botkin & Hall, LLP

(**) Term: **14 Years**

(57) **CLAIM**

(21) Appl. No.: **29/503,229**

The ornamental design for a dual bulbous seal, as shown and described.

(22) Filed: **Sep. 24, 2014**

(51) **LOC (10) Cl.** **12-05**

DESCRIPTION

(52) **U.S. Cl.**
USPC **D12/106; D8/400**

(58) **Field of Classification Search**
USPC D8/400; D12/19, 100–106; D25/102, D25/119–125, 136, 164; 277/562, 642, 647
CPC B60R 13/043; B60R 13/06; B60R 13/04; B60J 10/04; B60J 10/0011; E06B 7/22; E06B 7/23
See application file for complete search history.

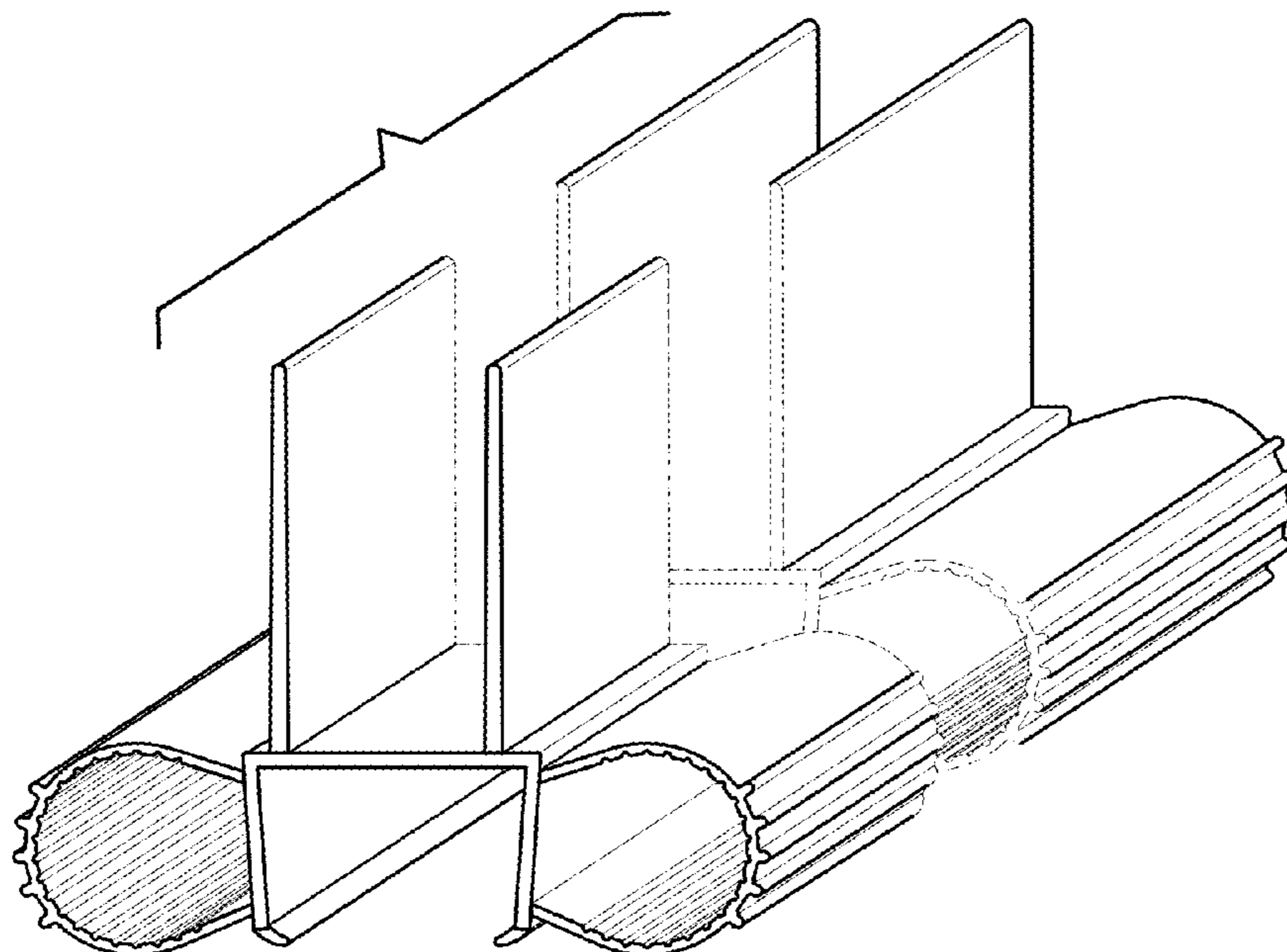
FIG. 1 is a perspective view of a dual bulbous seal, in accordance with the present invention;
FIG. 2 is a front elevation view of the dual bulbous seal of FIG. 1, in accordance with the present invention;
The rear elevation view of the dual bulbous seal is a mirror image of that shown in FIG. 2;
FIG. 3 is a top plan view of the dual bulbous seal of FIGS. 1-2, in accordance with the present invention;
FIG. 4 is a left side elevation view of the dual bulbous seal of FIGS. 1-3, in accordance with the present invention;
FIG. 5 is a right side elevation view of the dual bulbous seal of FIGS. 1-4, in accordance with the present invention; and,
FIG. 6 is a bottom plan view of the dual bulbous seal of FIGS. 1-5, in accordance with the present invention.
The symbolic break lines depict the boundaries of the claim. The area between the break lines forms no part of the claimed design.

(56) **References Cited**

U.S. PATENT DOCUMENTS

1,748,216 A * 2/1930 Greene B60J 10/04
49/441
D669,820 S * 10/2012 Schoonover D12/106
D696,104 S * 12/2013 Kampl D8/394
8,875,443 B2 * 11/2014 Siegel B60R 13/08
296/165

1 Claim, 3 Drawing Sheets



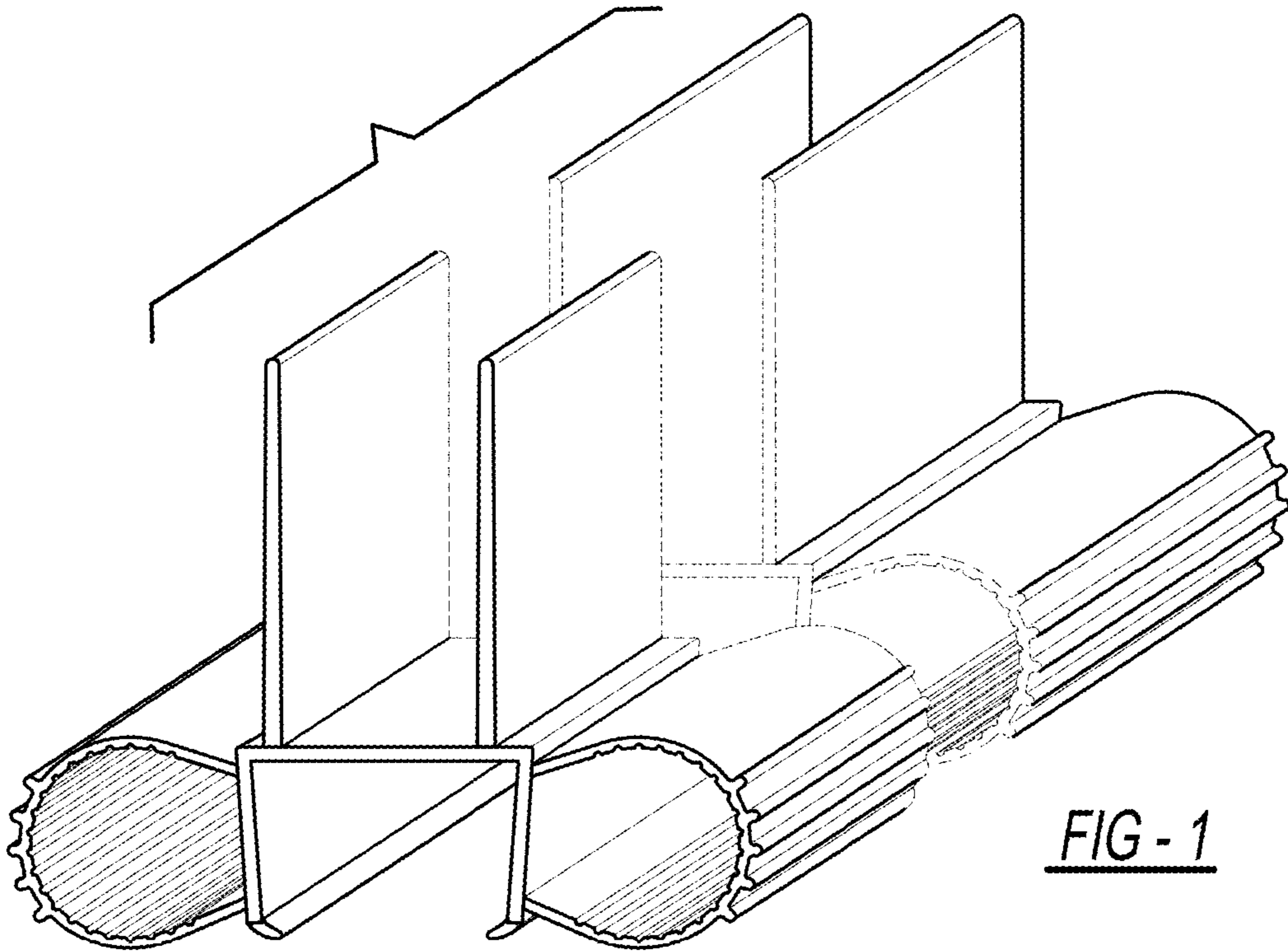
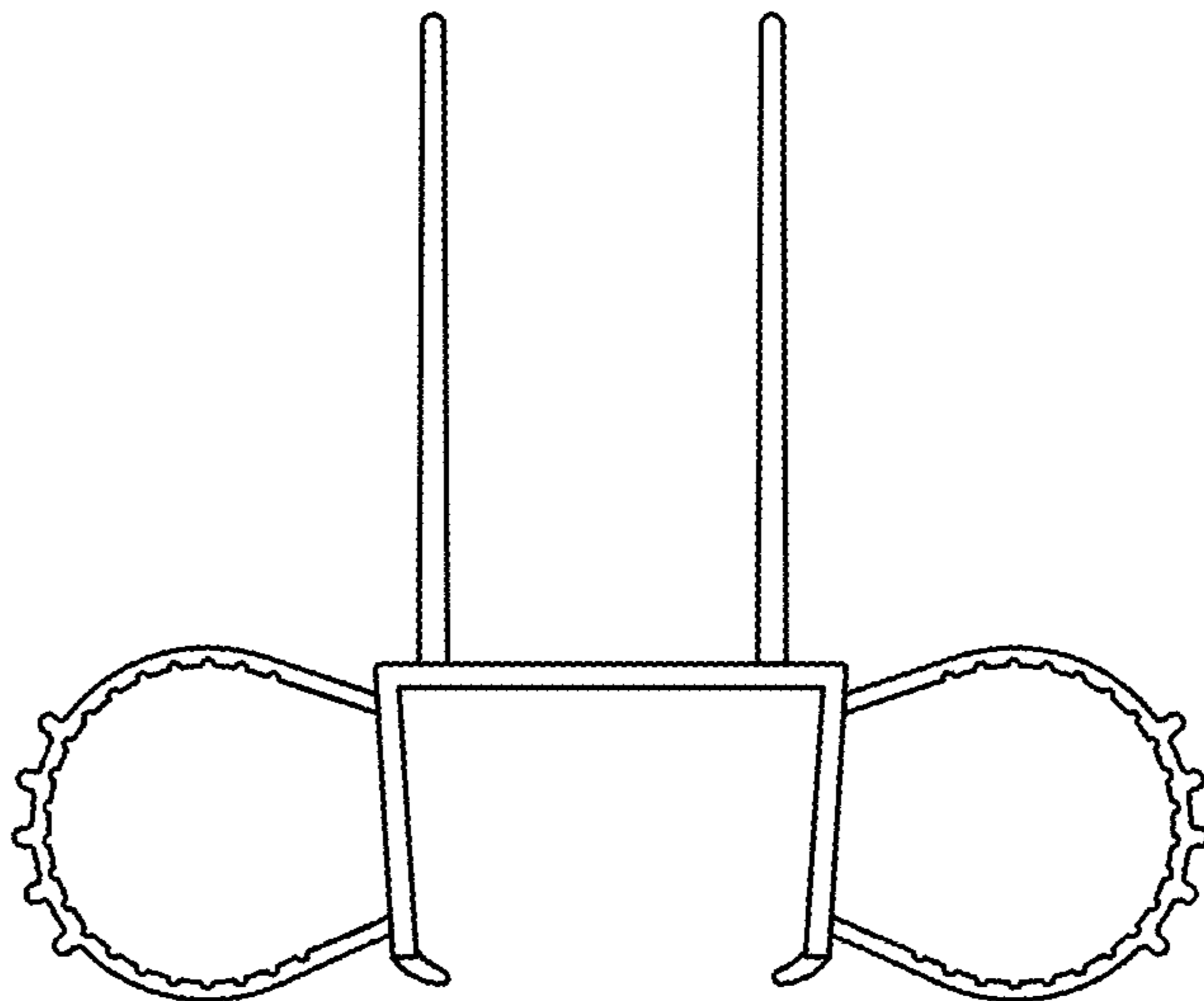


FIG - 2



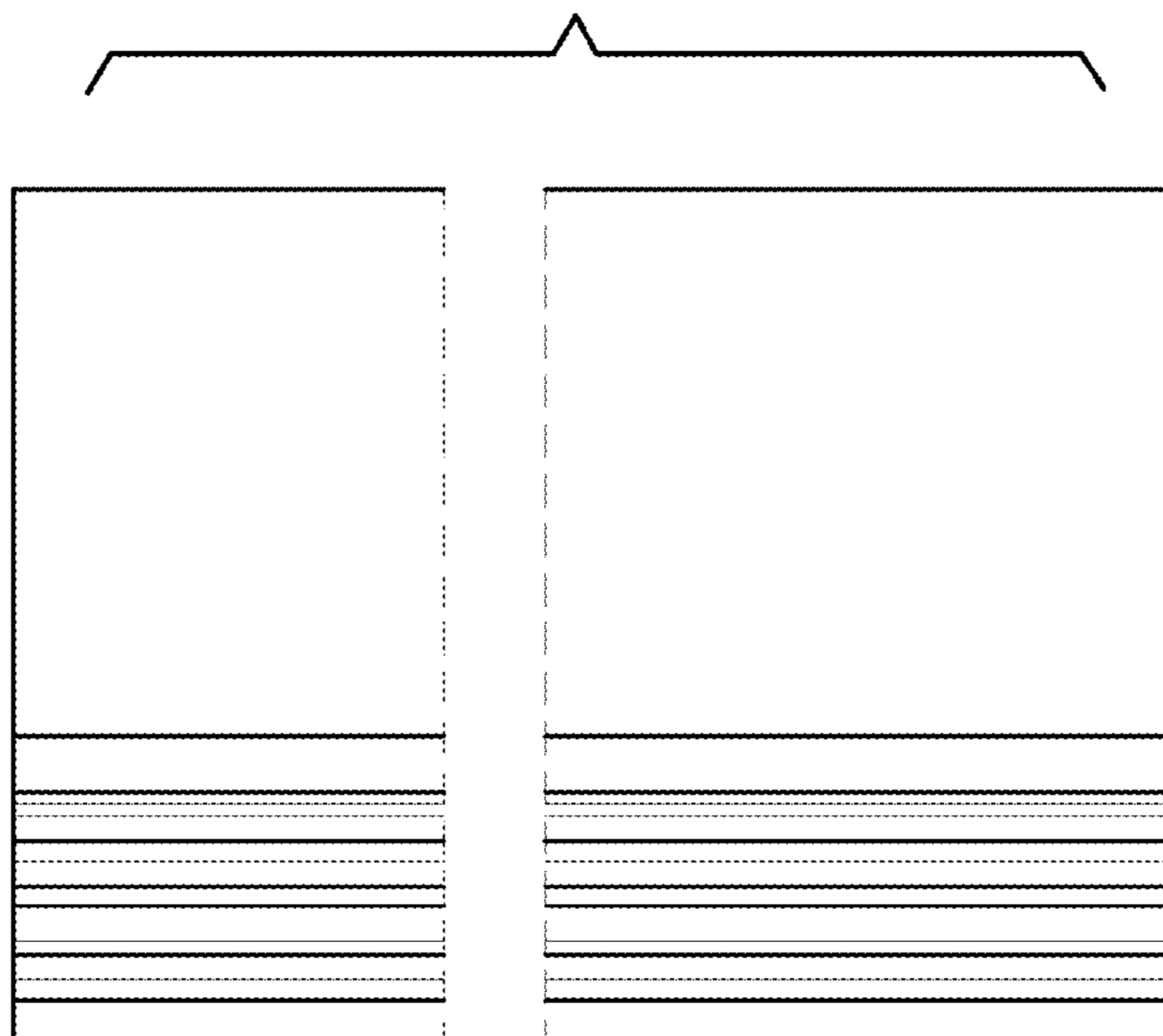
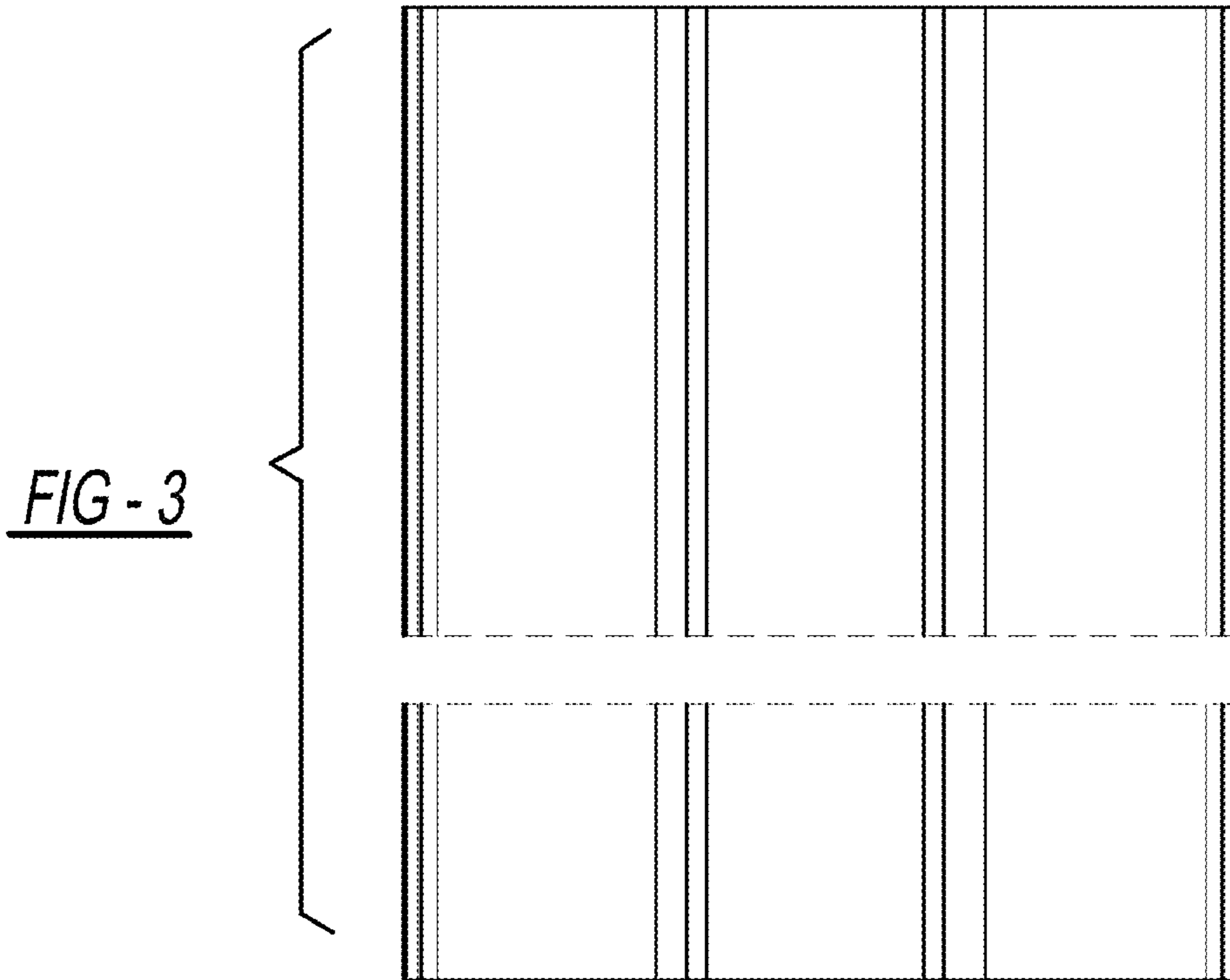


FIG - 4

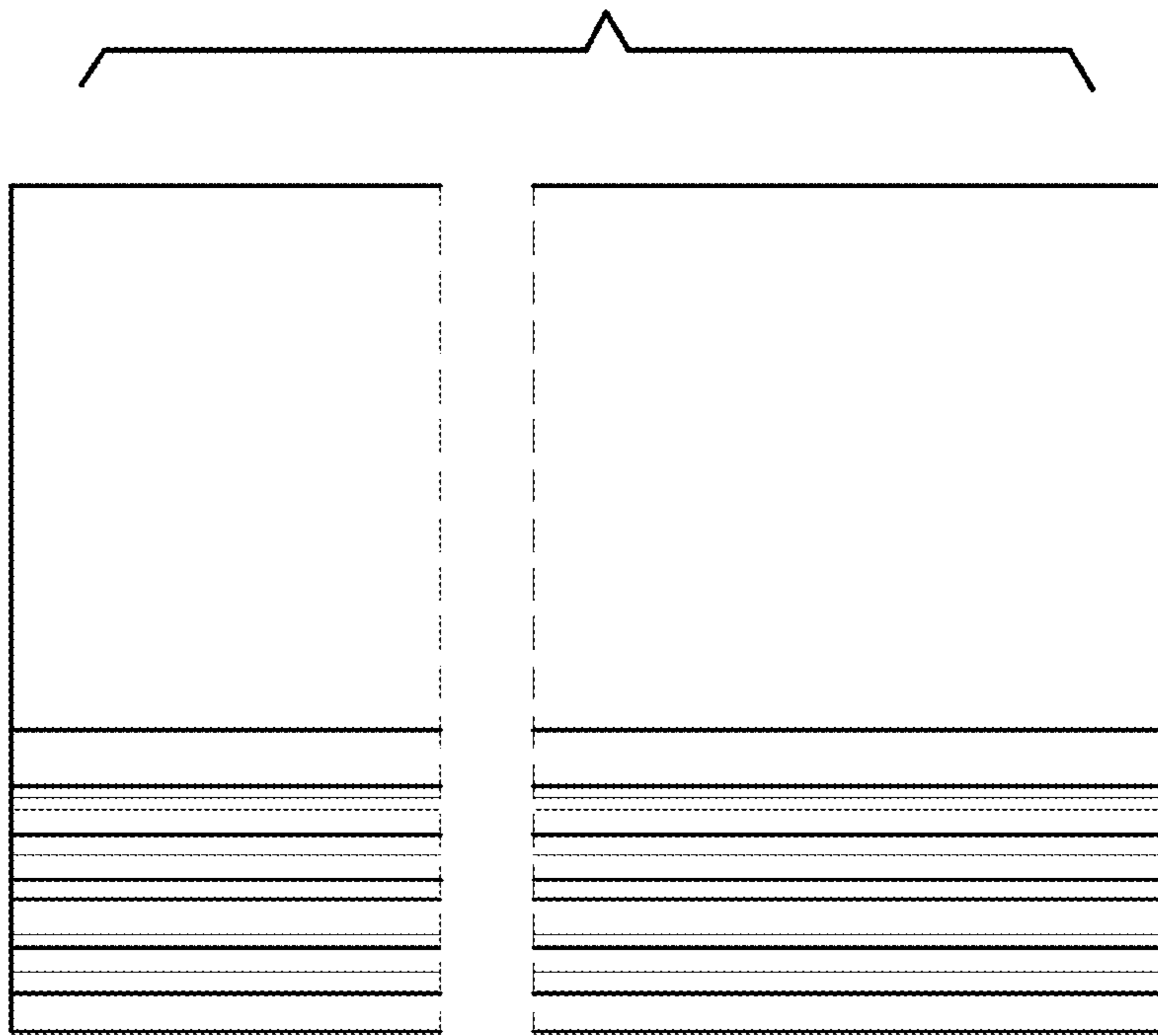


FIG - 5

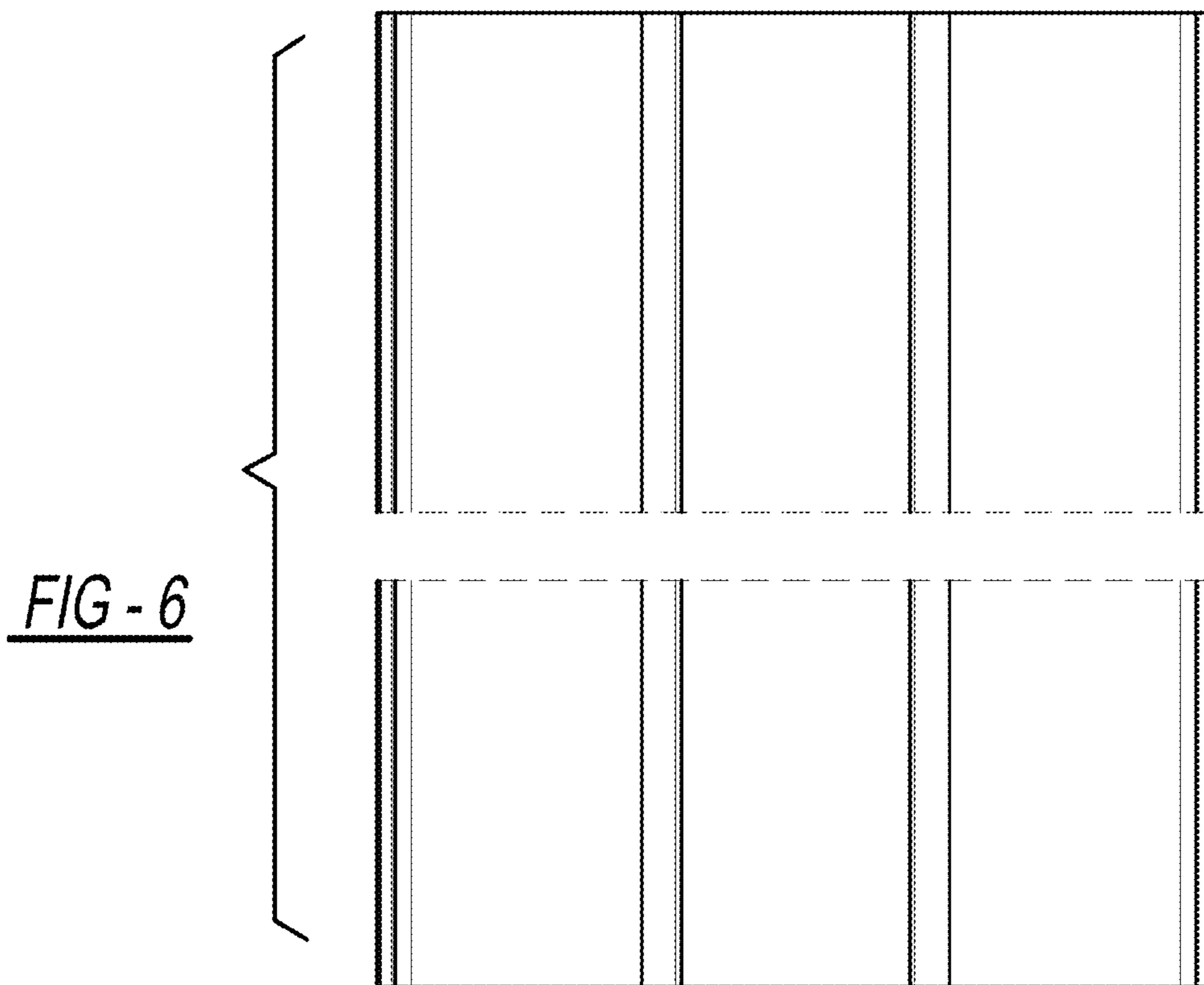


FIG - 6