

US00D773341S

(12) **United States Design Patent**
Liu et al.

(10) **Patent No.:** **US D773,341 S**
(45) **Date of Patent:** **** Dec. 6, 2016**

(54) **AUTOMOBILE**

(71) Applicant: **Nissan Motor Co., Ltd.**, Yokohama,
Kanagawa (JP)

(72) Inventors: **En Hung Liu**, Beijing (CN); **Takashi Utsunomiya**, Kanagawa (JP); **Hisatugu Hirabayashi**, Kanagawa (JP); **Wen Yu Zhang**, Beijing (CN)

(73) Assignee: **Nissan Motor Co., Ltd.**, Yokohama (JP)

(**) Term: **15 Years**

(21) Appl. No.: **29/535,405**

(22) Filed: **Aug. 6, 2015**

(30) **Foreign Application Priority Data**

Feb. 10, 2015 (JP) 2015-002655

(51) **LOC (10) Cl.** **12-08**

(52) **U.S. Cl.**
USPC **D12/92**

(58) **Field of Classification Search**
USPC D12/86, 90-92, 88; D21/421, 433, 434;
296/181.1, 181.5
CPC B62D 35/00; B62D 25/00; B62D 25/06;
B62D 33/00
See application file for complete search history.

(56) **References Cited**

U.S. PATENT DOCUMENTS

D565,468 S * 4/2008 Abe D12/92
D646,205 S * 10/2011 Bittner D12/92
D668,182 S * 10/2012 Barba Franco D12/92
D683,269 S * 5/2013 Fuchigami D12/92
D684,900 S * 6/2013 Doyle D12/92

D686,536 S * 7/2013 McCabe D12/92
D695,645 S * 12/2013 Tase D12/91
D699,630 S * 2/2014 Abe D12/92
D710,761 S * 8/2014 Endo D12/92
D718,662 S * 12/2014 Ishizuka D12/92

FOREIGN PATENT DOCUMENTS

JP 1408625 S 3/2011
JP 1446878 S 7/2012
JP 1461818 S 2/2013
JP 1474967 S 12/2013
JP 1486188 S 12/2013
JP 1487220 S 12/2013
JP 1469044 S 4/2014

(Continued)

Primary Examiner — Melody N Brown

(74) *Attorney, Agent, or Firm* — Global IP Counselors, LLP

(57) **CLAIM**

The ornamental design for an automobile, as shown and described.

DESCRIPTION

FIG. 1 is a front elevational view of an automobile showing our new design;
FIG. 2 is a top plan view thereof;
FIG. 3 is a right side elevational view thereof;
FIG. 4 is a left side elevational view thereof;
FIG. 5 is a left, front perspective view thereof;
FIG. 6 is a right, rear perspective view thereof; and,
FIG. 7 is a rear elevational view thereof.

The hidden surfaces from the bottom, obscured by a rear bumper, the wheels, and inside the wheel wells, but visible in the figures form no part of the claimed design. The broken line showings on the radiator grill is for the purpose of illustrating environmental structure and form no part of the claimed design.

1 Claim, 7 Drawing Sheets



(56)

References Cited

FOREIGN PATENT DOCUMENTS

JP	1499946 S	6/2014
JP	1502033 S	7/2014
JP	1503276 S	7/2014
JP	1505486 S	8/2014
JP	1510420 S	11/2014
JP	1520645 S	3/2015
JP	1526619 S	6/2015

* cited by examiner

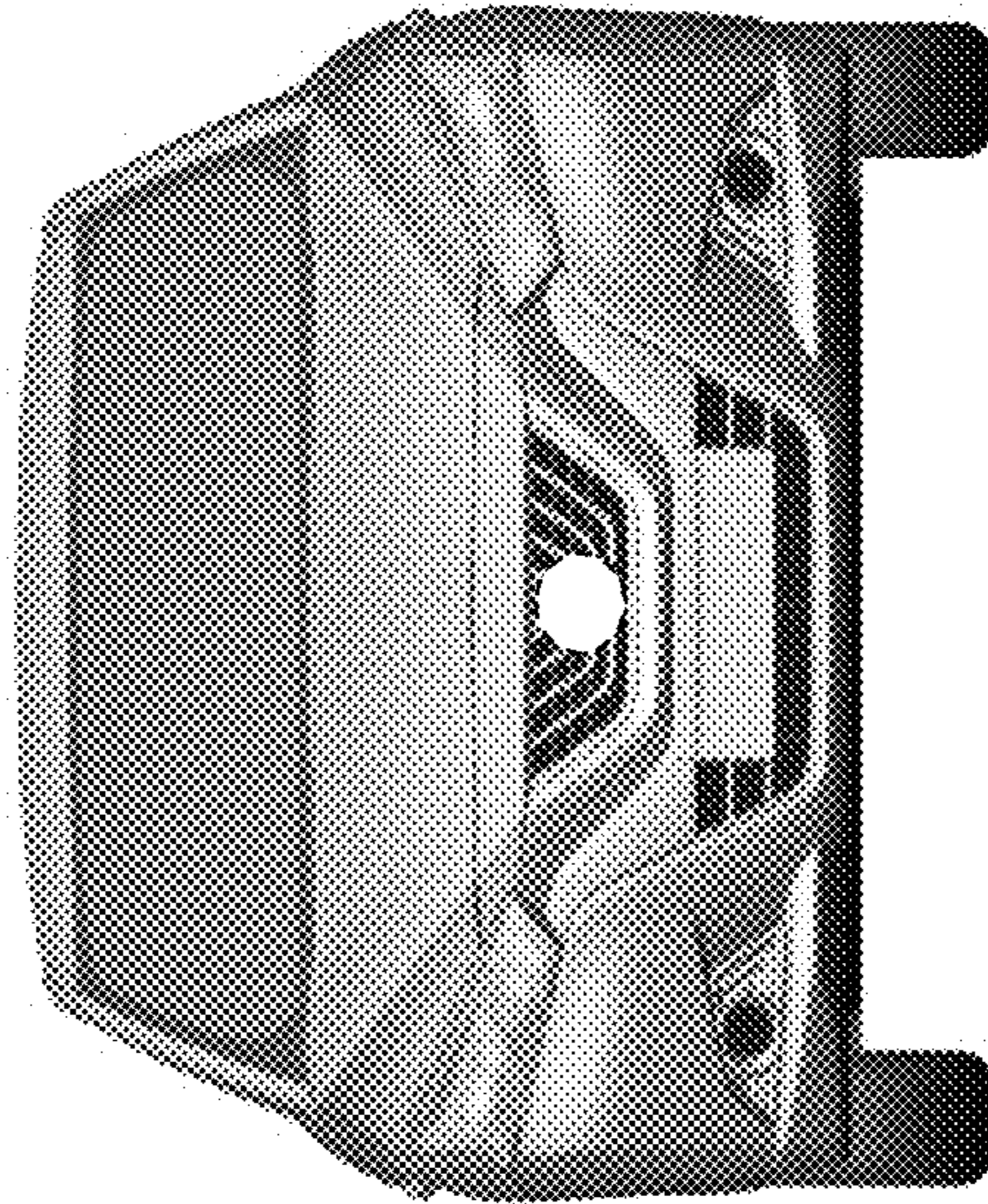


FIG. 1

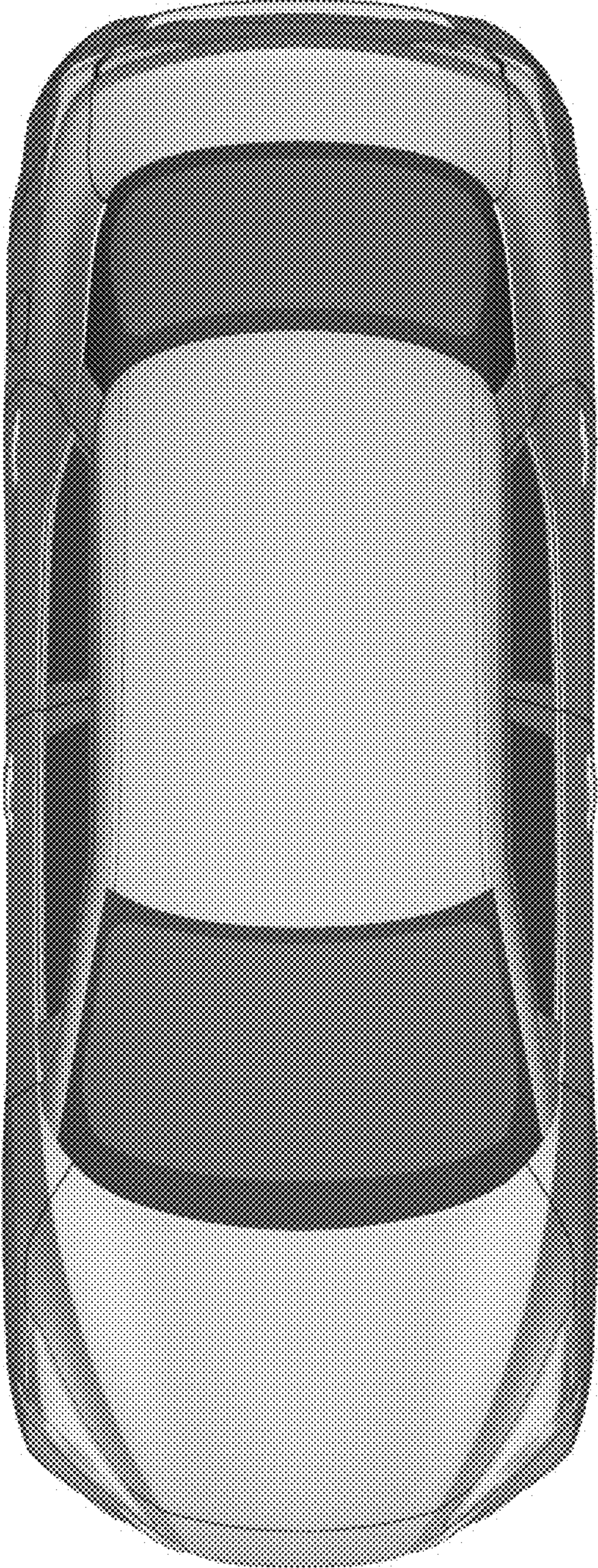


FIG. 2

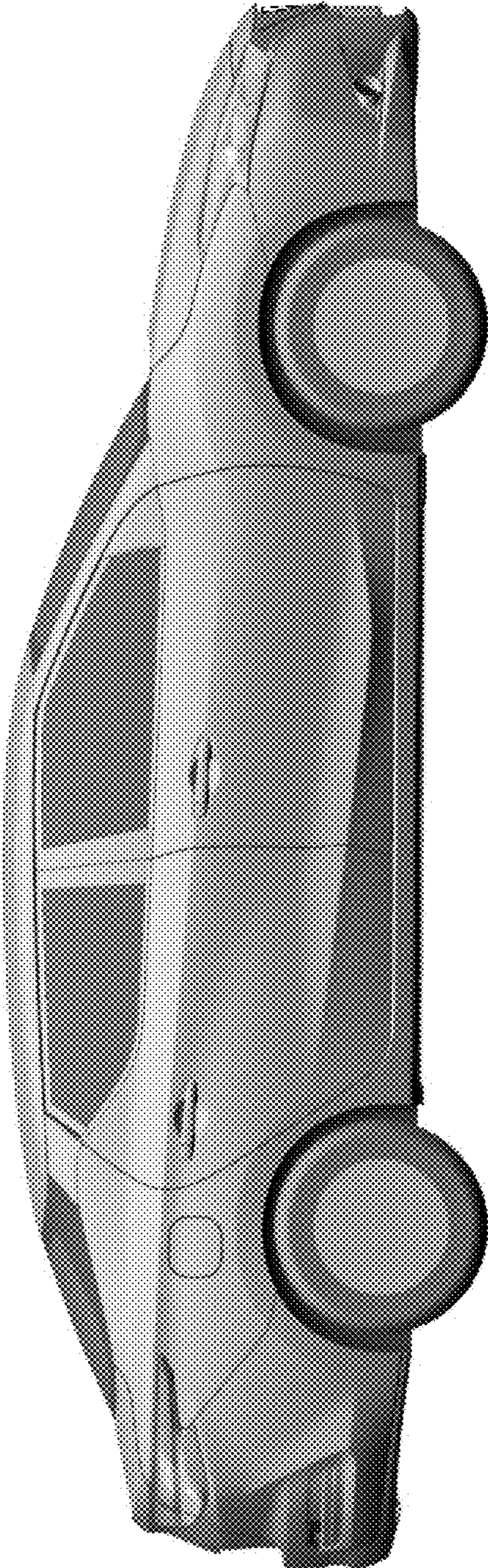


FIG. 3

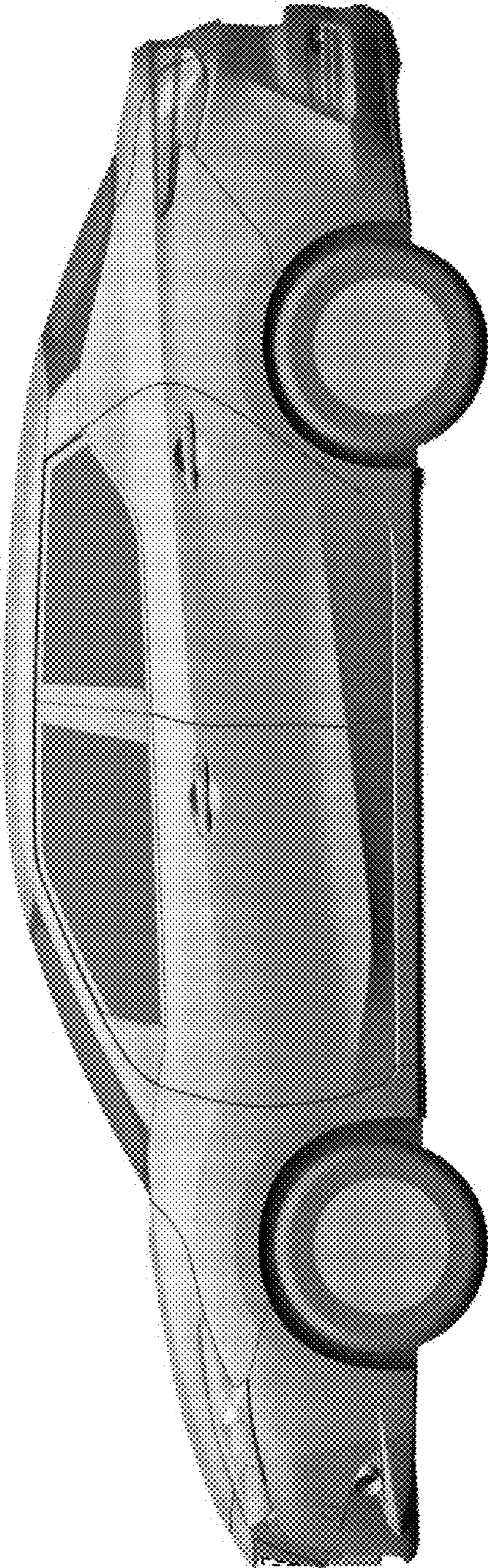


FIG. 4

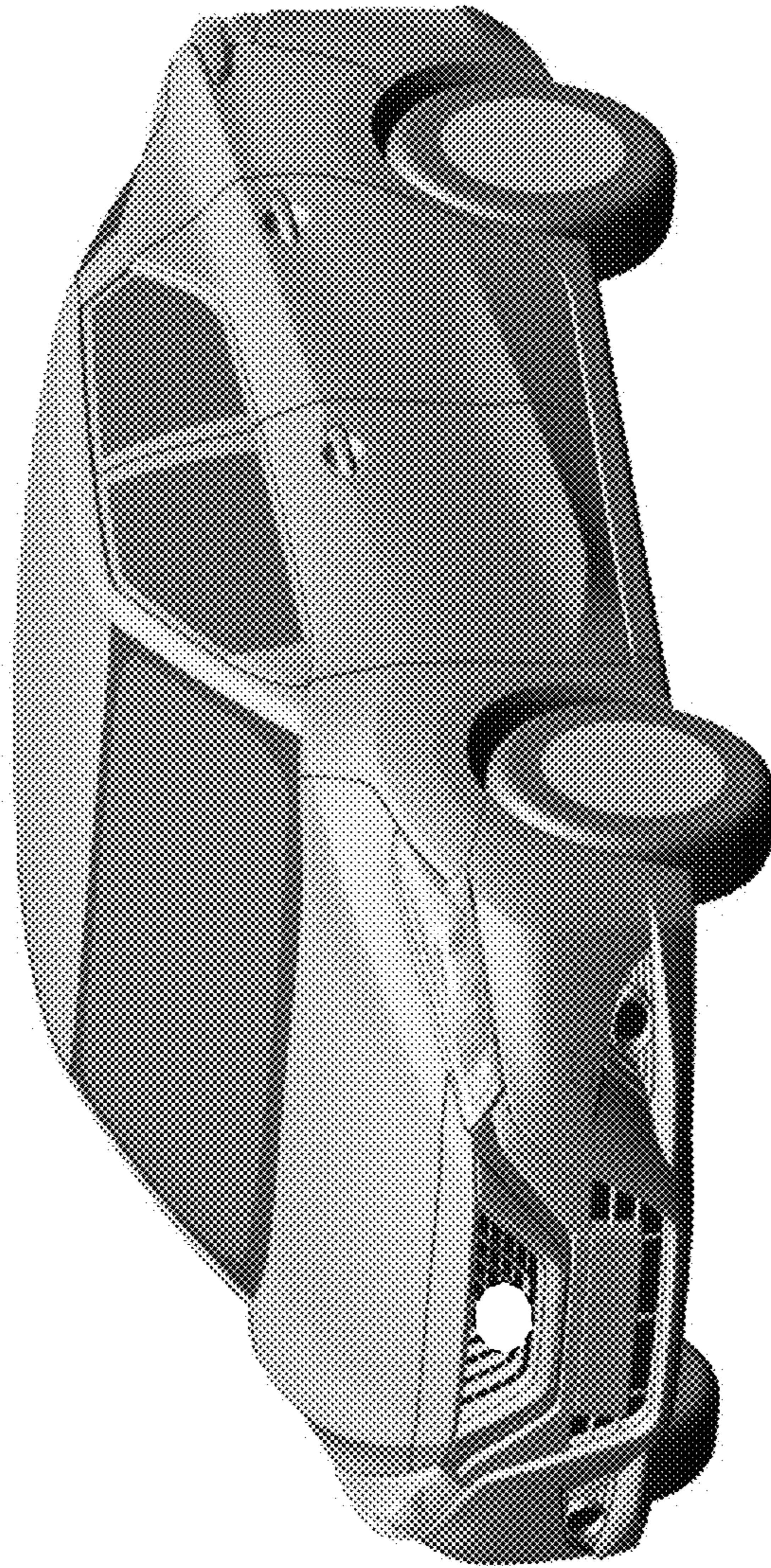


FIG. 5

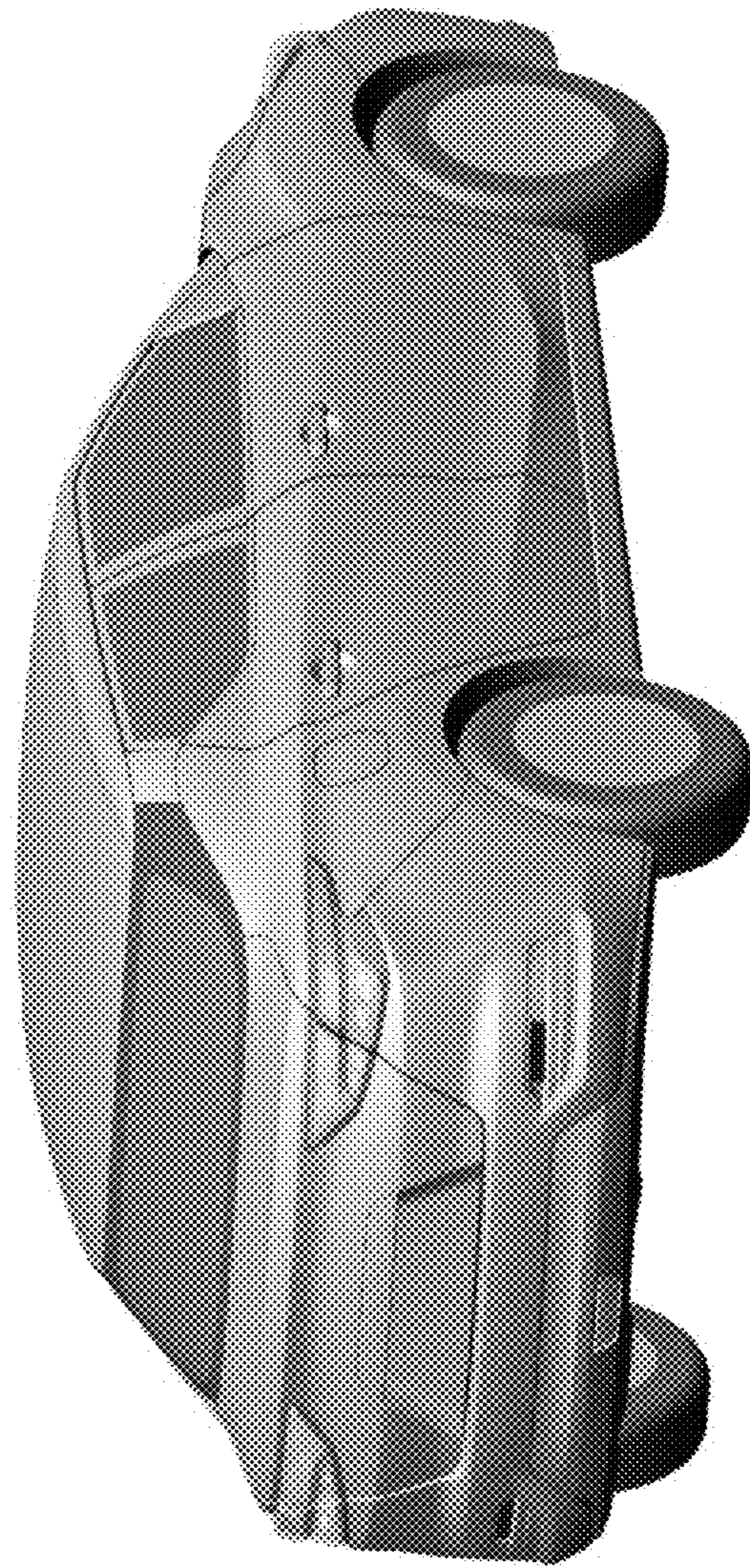


FIG. 6

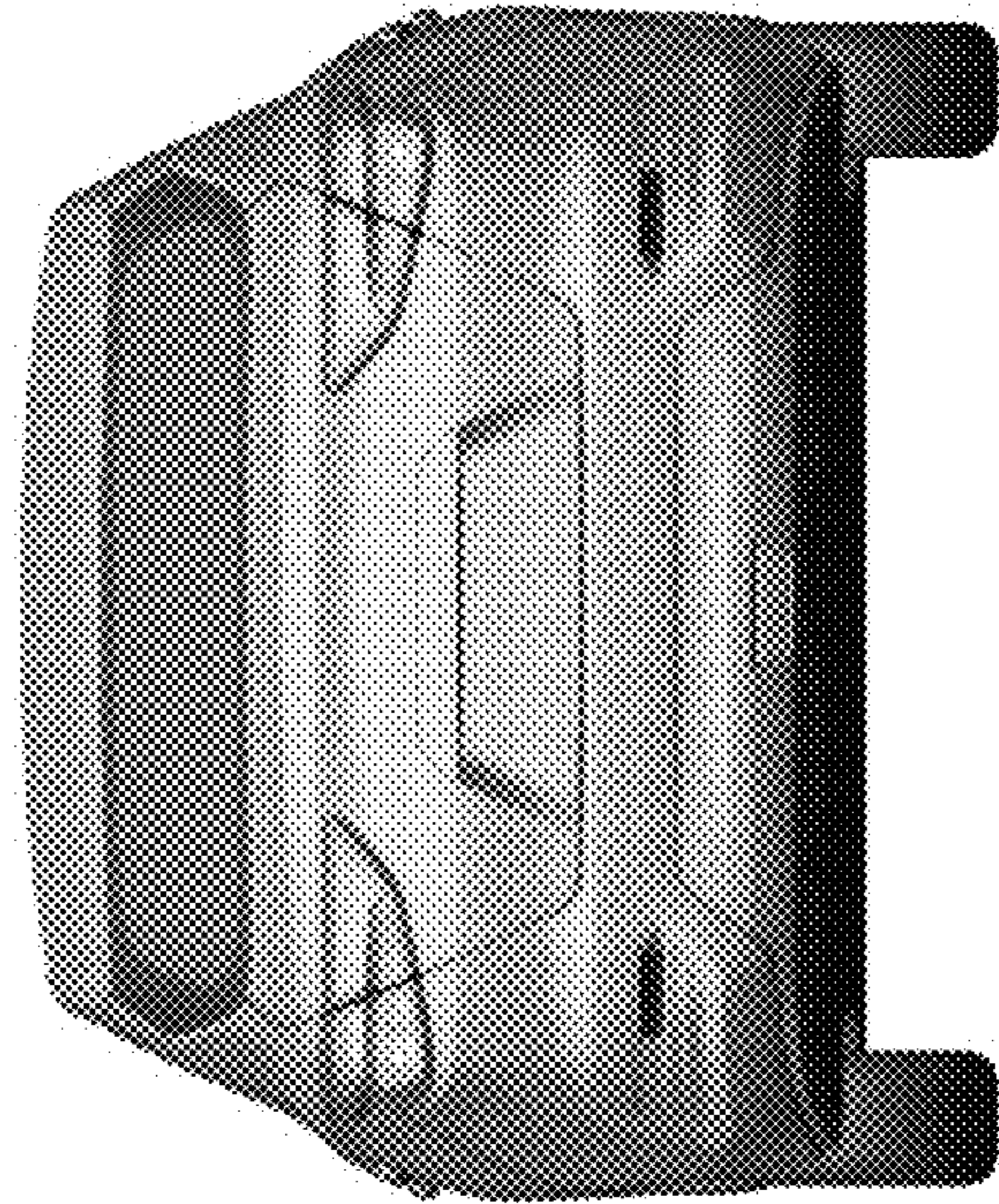


FIG. 7