



US00D773339S

(12) **United States Design Patent** (10) **Patent No.:** **US D773,339 S**
McClure et al. (45) **Date of Patent:** **** Dec. 6, 2016**

(54) **FASTENER SYSTEM**

(71) Applicant: **C&D ZODIAC, INC.**, Huntington Beach, CA (US)

(72) Inventors: **Richard McClure**, Huntington Beach, CA (US); **Eric Long**, St-Lazare, CA (US)

(73) Assignee: **C&D Zodiac, Inc.**, Huntington Beach, CA (US)

(**) Term: **15 Years**

(21) Appl. No.: **29/546,704**

(22) Filed: **Nov. 24, 2015**

Related U.S. Application Data

(63) Continuation-in-part of application No. 14/668,627, filed on Mar. 25, 2015.

(51) **LOC (10) Cl.** **02-07**

(52) **U.S. Cl.**
USPC **D11/200; D8/382**

(58) **Field of Classification Search**
USPC D11/1-2, 200-201, 206-210, 214-218;
24/163 R, 169-171, 173, 177-179, 191,
24/194-195, 197, 200, 614-616, 625,
198, 24/578.11, 578.1, 163 K, 114, 649;
D12/345, D12/415, 418; D8/382, 395,
396

(Continued)

(56) **References Cited**

U.S. PATENT DOCUMENTS

D324,992 S * 3/1992 Ono D13/154
D354,457 S * 1/1995 McIntyre D11/200

(Continued)

Primary Examiner — Ralf Seifert

(74) *Attorney, Agent, or Firm* — Jeffer Mangels Butler & Mitchell LLP; Brennan C. Swain, Esq.

(57) **CLAIM**

The ornamental design for a fastener system, as shown and described.

DESCRIPTION

FIG. 1 is a perspective view of the fastener system showing our new design;

FIG. 2 is a front elevational view of the present invention shown in FIG. 1;

FIG. 3 is a rear elevational view of the present invention shown in FIG. 1;

FIG. 4 is a right side elevational view of the present invention shown in FIG. 1, the left side elevational view being a mirror image thereof;

FIG. 5 is a top plan view of the present invention shown in FIG. 1;

FIG. 6 is a perspective view of the present invention;

FIG. 7 is a front elevational view of the present invention shown in FIG. 6, the rear elevational view being a mirror image thereof;

FIG. 8 is a right side elevational view of the present invention shown in FIG. 6, the left side elevational view being a mirror image thereof;

FIG. 9 is a top plan view of the present invention shown in FIG. 6;

FIG. 10 is a perspective view of the present invention;

FIG. 11 is a front elevational view of the present invention shown in FIG. 10, the rear elevational view being a mirror image thereof;

FIG. 12 is a right side elevational view of the present invention shown in FIG. 10, the left side elevational view being a mirror image thereof;

FIG. 13 is a top plan view of the present invention shown in FIG. 10;

FIG. 14 is a perspective view of the present invention;

FIG. 15 is a front elevational view of the present invention shown in FIG. 14;

FIG. 16 is a rear elevational view of the present invention shown in FIG. 14;

(Continued)

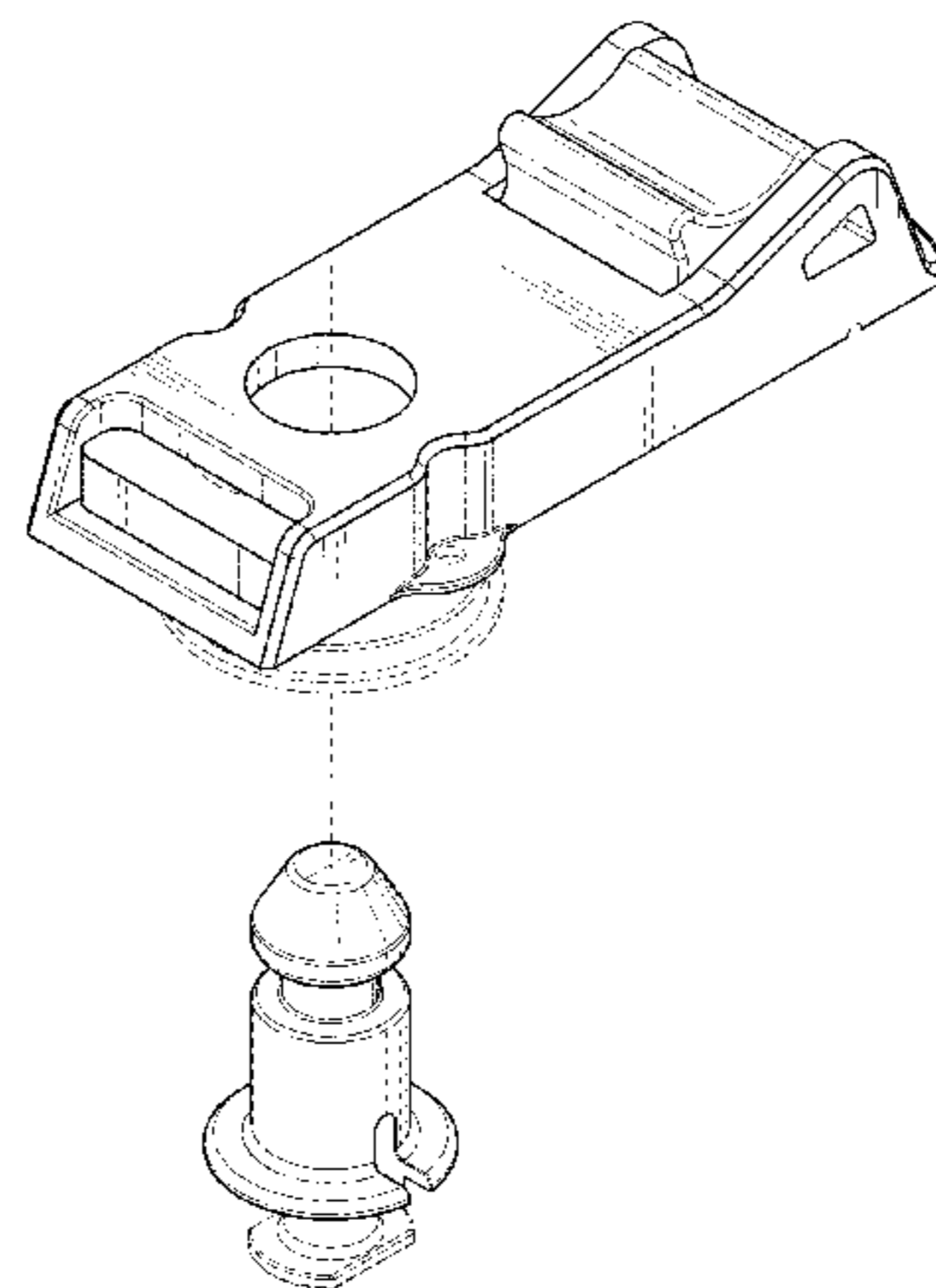


FIG. 17 is a right side elevational view of the present invention shown in FIG. 14, the left side elevational view being a mirror image thereof;
 FIG. 18 is a top plan view of the present invention shown in FIG. 14;
 FIG. 19 is a perspective view of the present invention;
 FIG. 20 is a front elevational view of the present invention shown in FIG. 19;
 FIG. 21 is a rear elevational view of the present invention shown in FIG. 19;
 FIG. 22 is a right side elevational view of the present invention shown in FIG. 19, the left side elevational view being a mirror image thereof; and,
 FIG. 23 is a top plan view of the present invention shown in FIG. 19.

1 Claim, 17 Drawing Sheets

(58) **Field of Classification Search**

CPC A44B 11/26; A44B 11/25; A44B 11/06;
 F16B 21/16

See application file for complete search history.

(56)

References Cited

U.S. PATENT DOCUMENTS

5,451,082	A *	9/1995	Murai	E05B 65/523 24/115 G
5,518,332	A *	5/1996	Katoh	F16B 21/16 285/305
5,704,100	A *	1/1998	Swan	F16B 21/186 24/546
5,810,535	A *	9/1998	Fleckenstein	B60R 21/20 411/522
D456,699	S *	5/2002	Nakanishi	D8/382
D494,887	S *	8/2004	Walraven	D11/200
D596,986	S *	7/2009	Gastaldi	D11/216
8,221,043	B2 *	7/2012	Guyton	F16B 1/0014 411/432
D669,836	S *	10/2012	Ordonez	D12/213
D678,044	S *	3/2013	Sauer	D8/382
D729,041	S *	5/2015	Smith	D8/349
D763,673	S *	8/2016	Moreau	D8/395

* cited by examiner

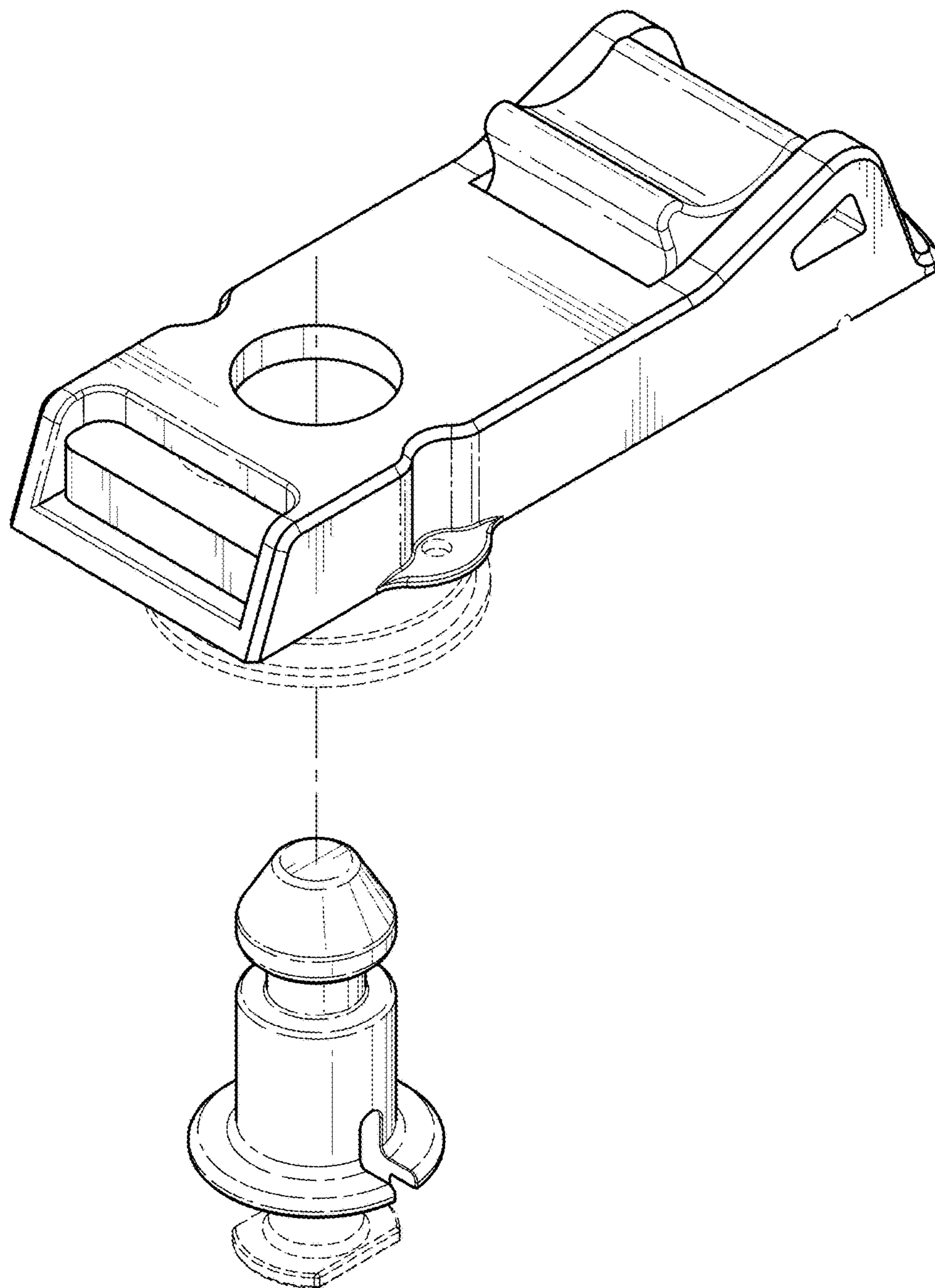


FIG. 1

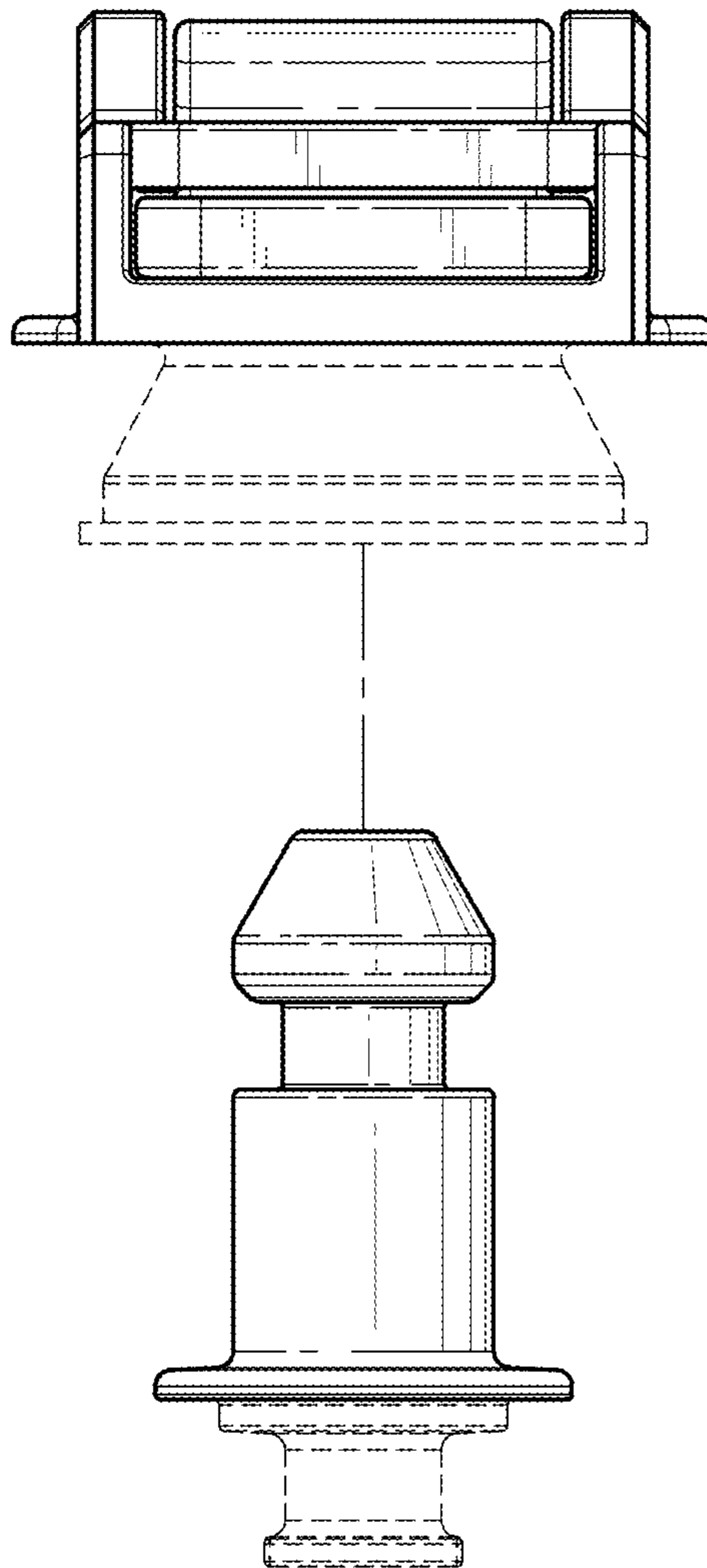


FIG. 2

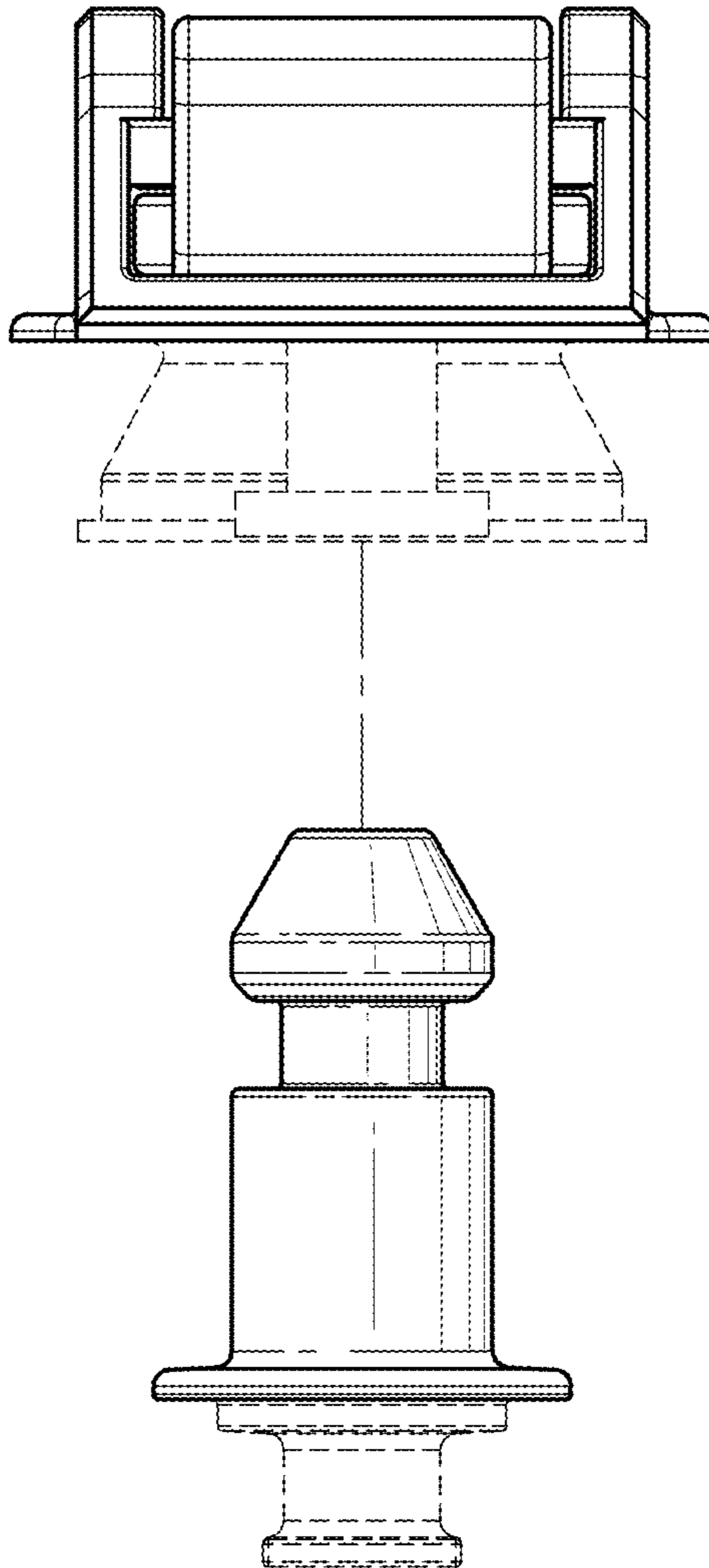


FIG. 3

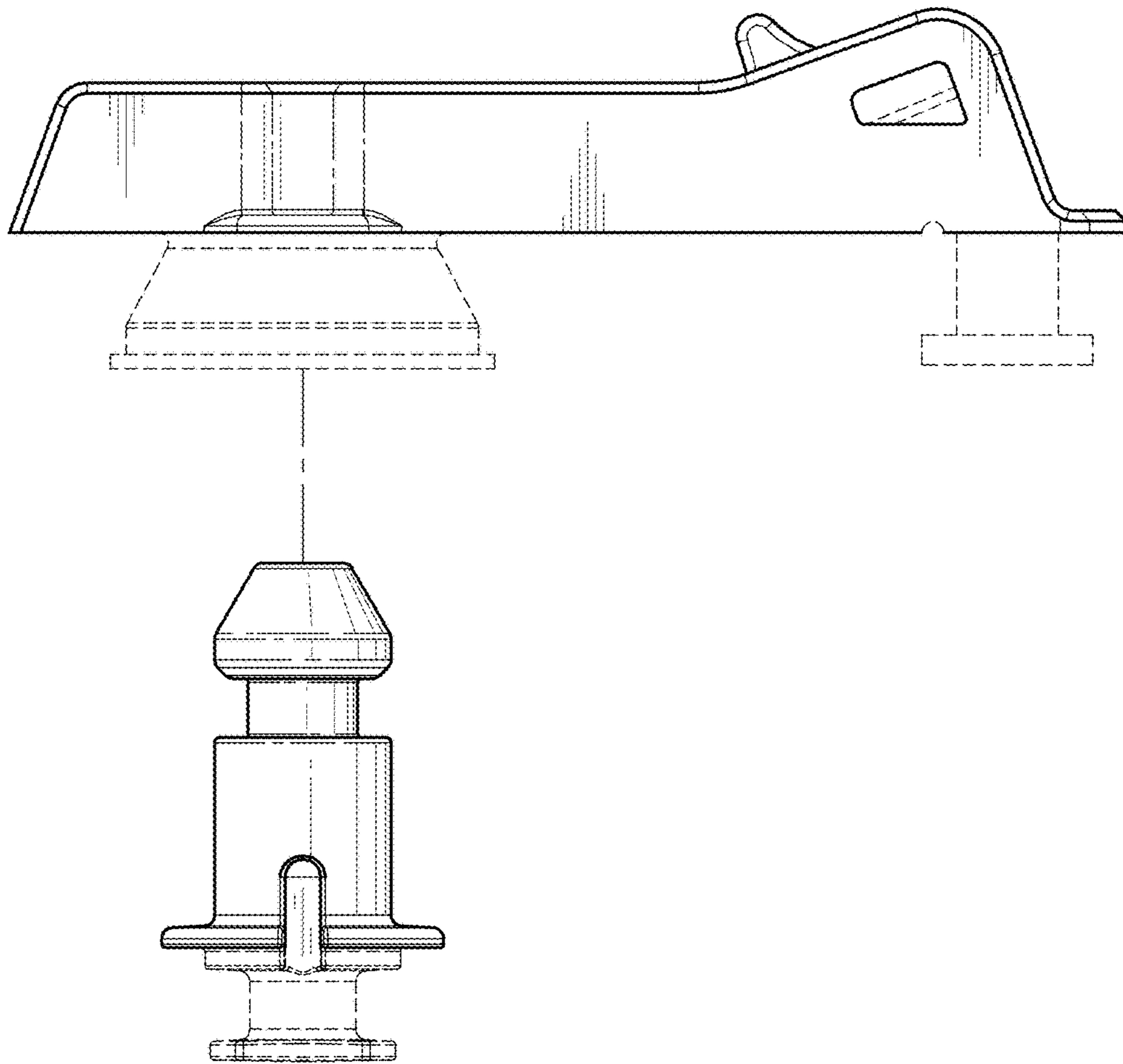


FIG. 4

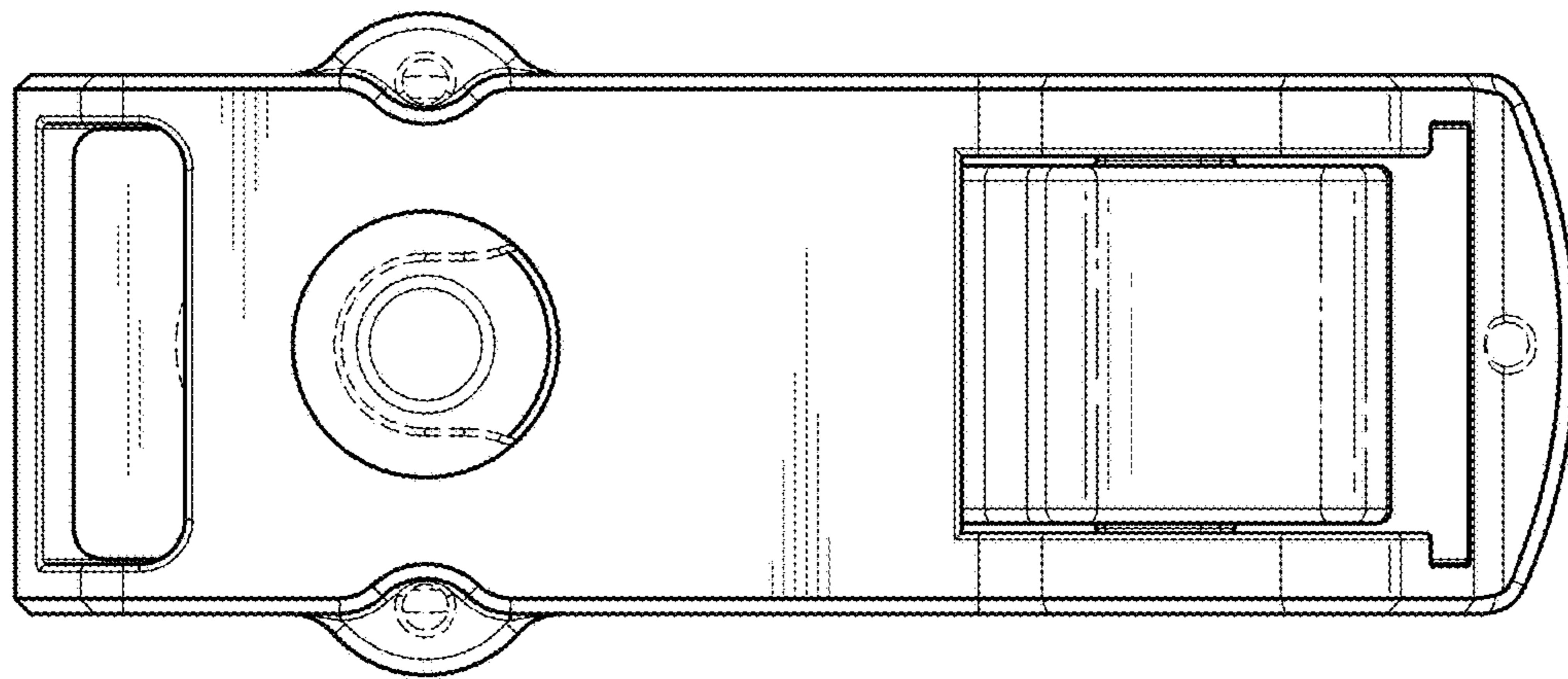


FIG. 5

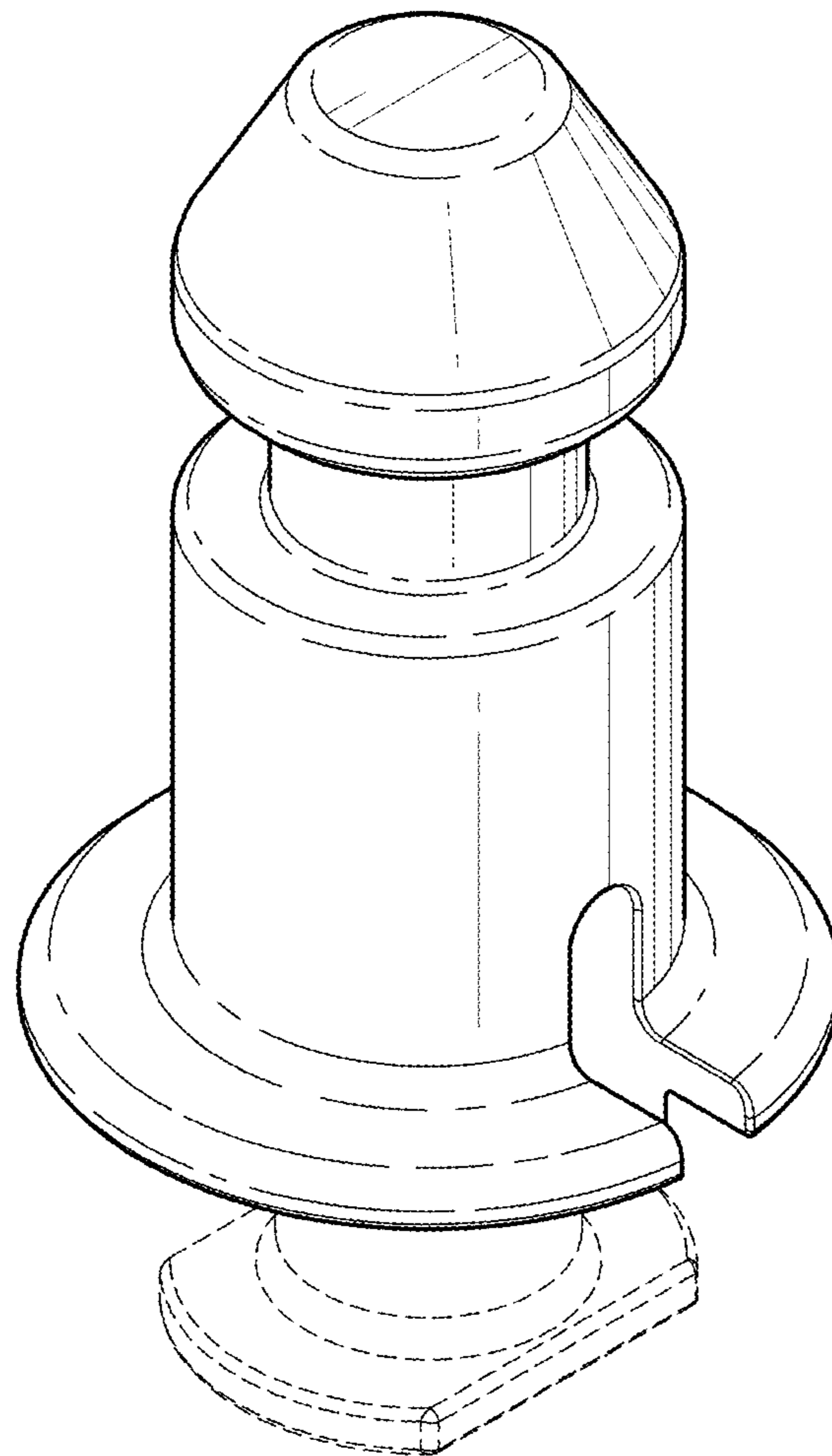


FIG. 6

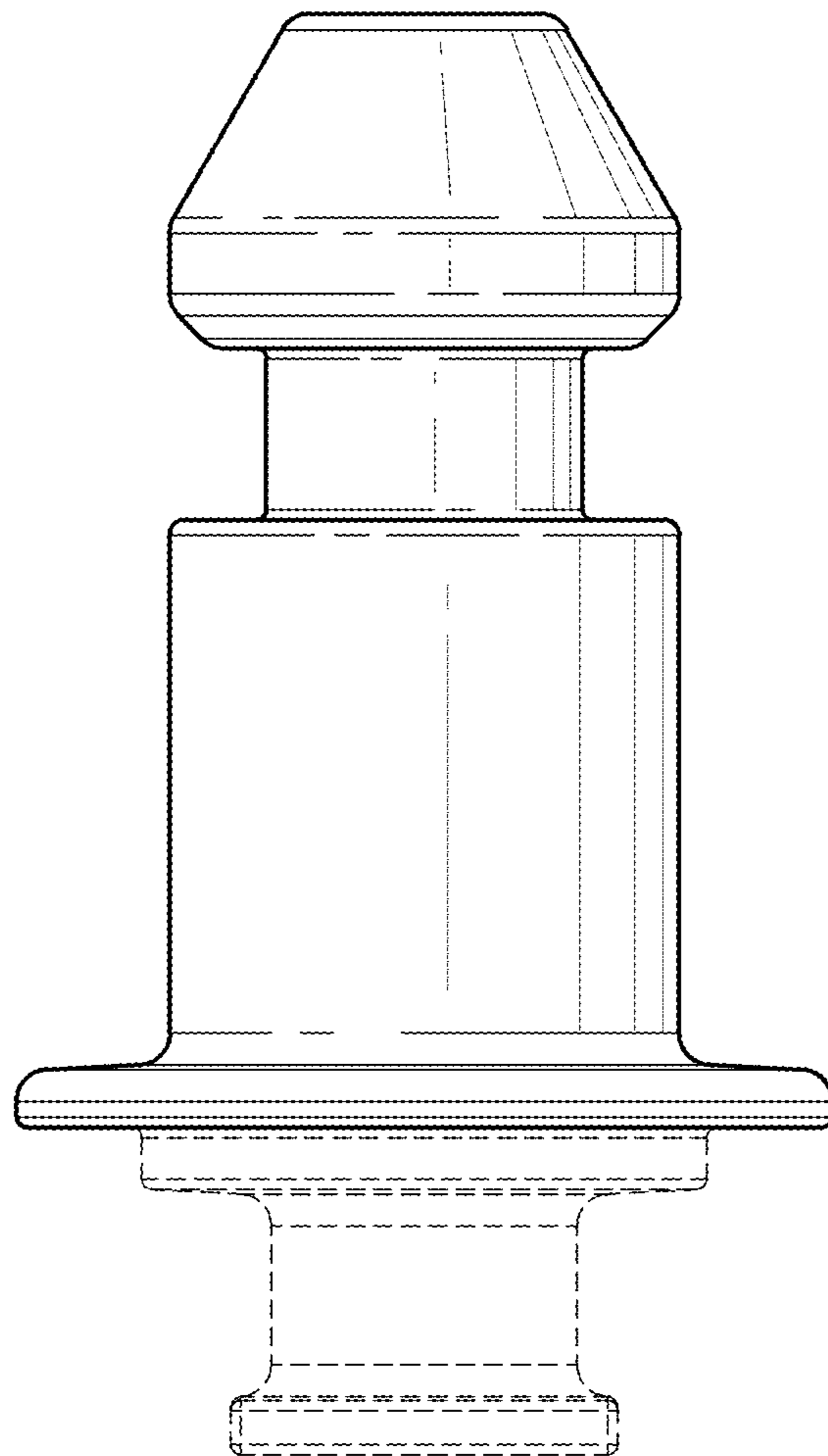


FIG. 7

FIG. 8

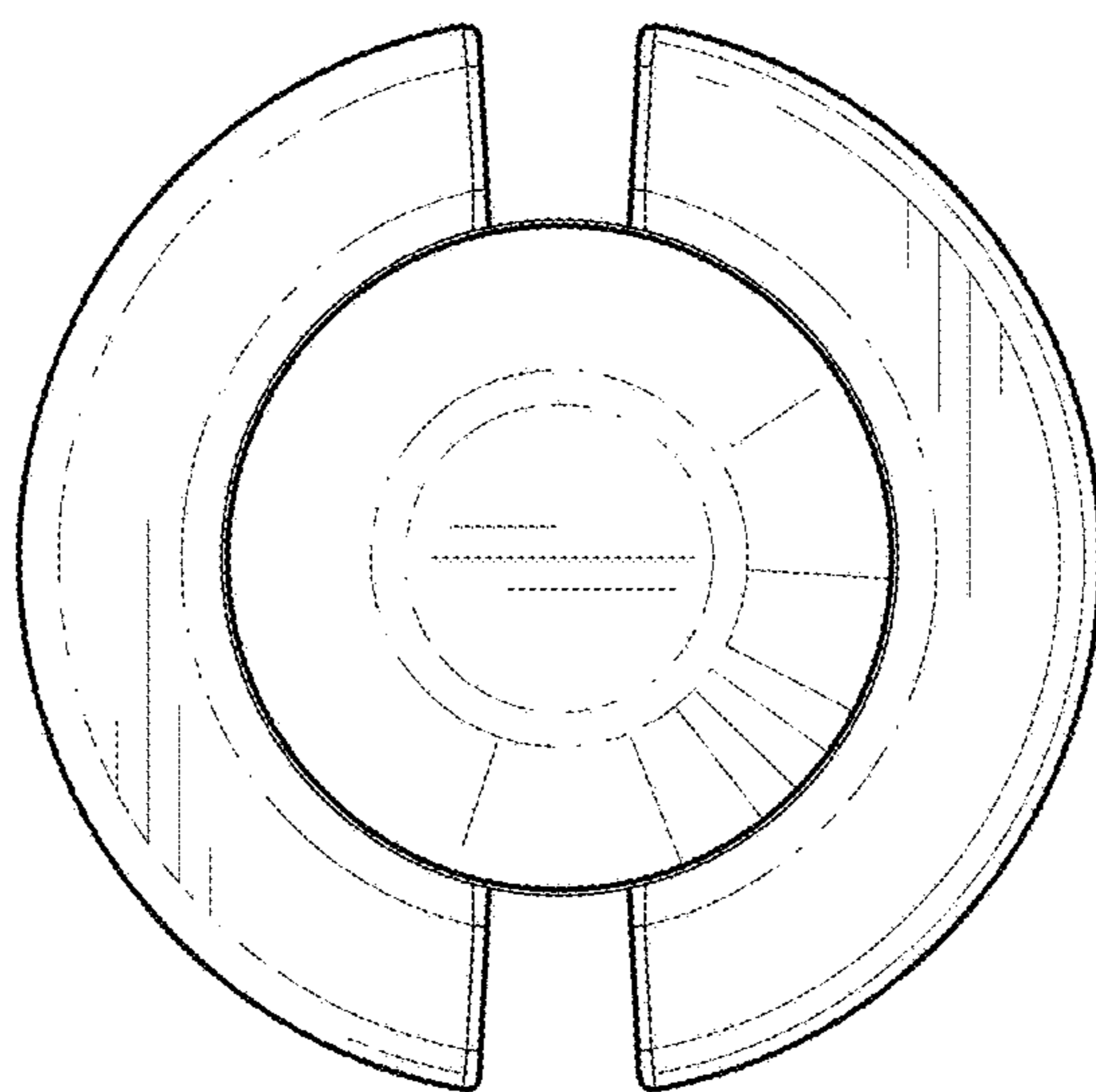
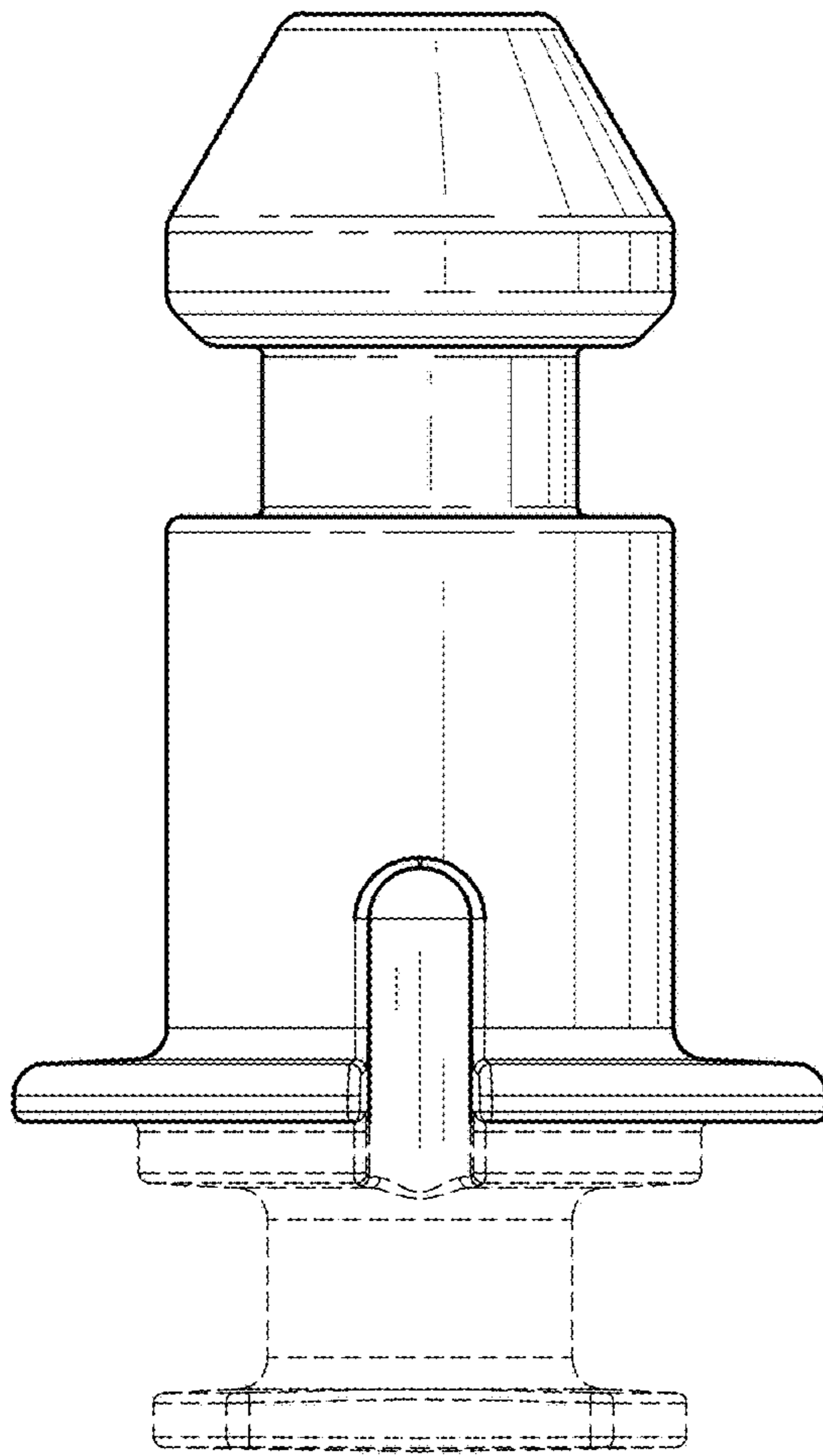


FIG. 9

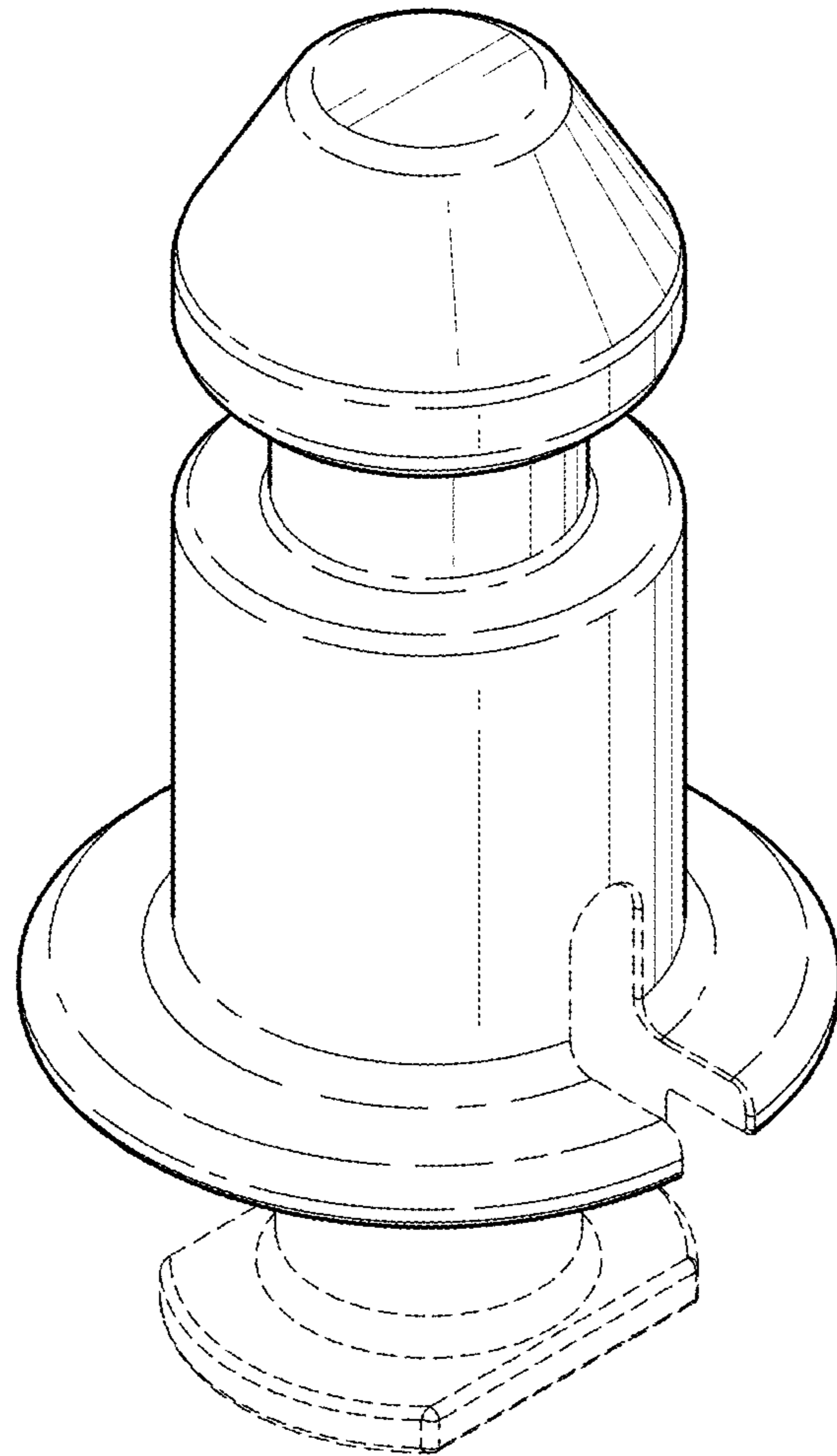


FIG. 10

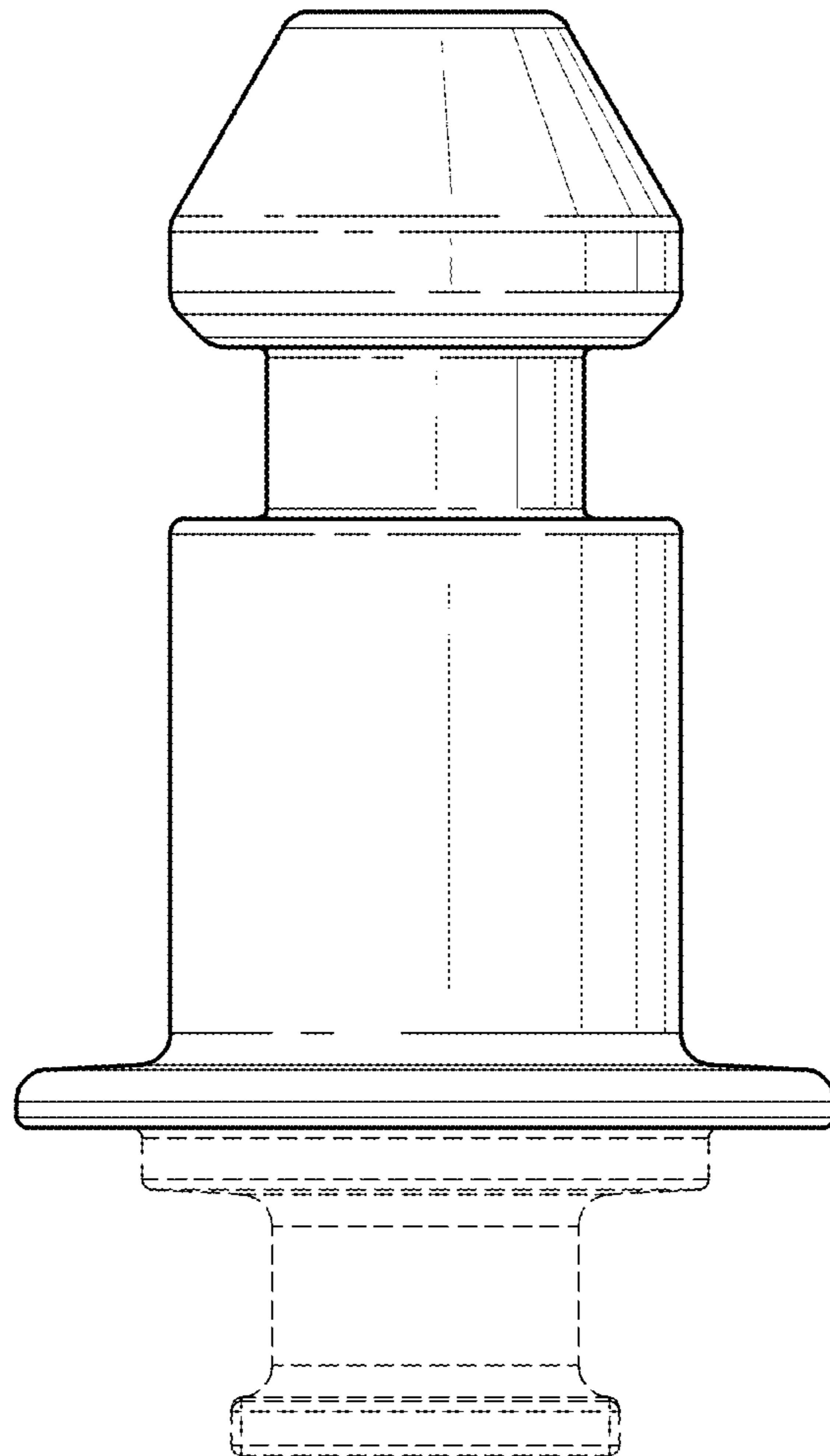


FIG. 11

FIG. 12

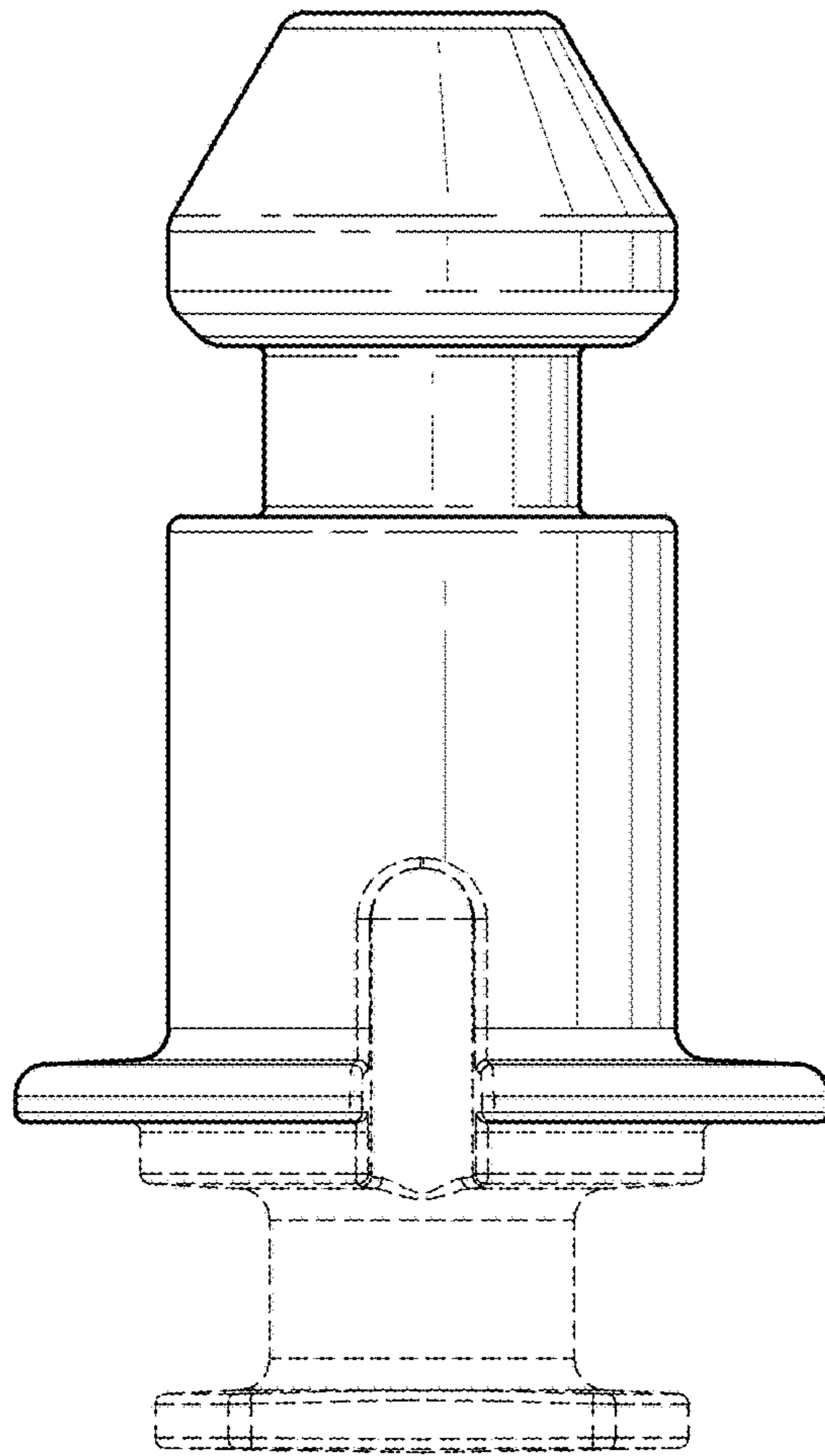
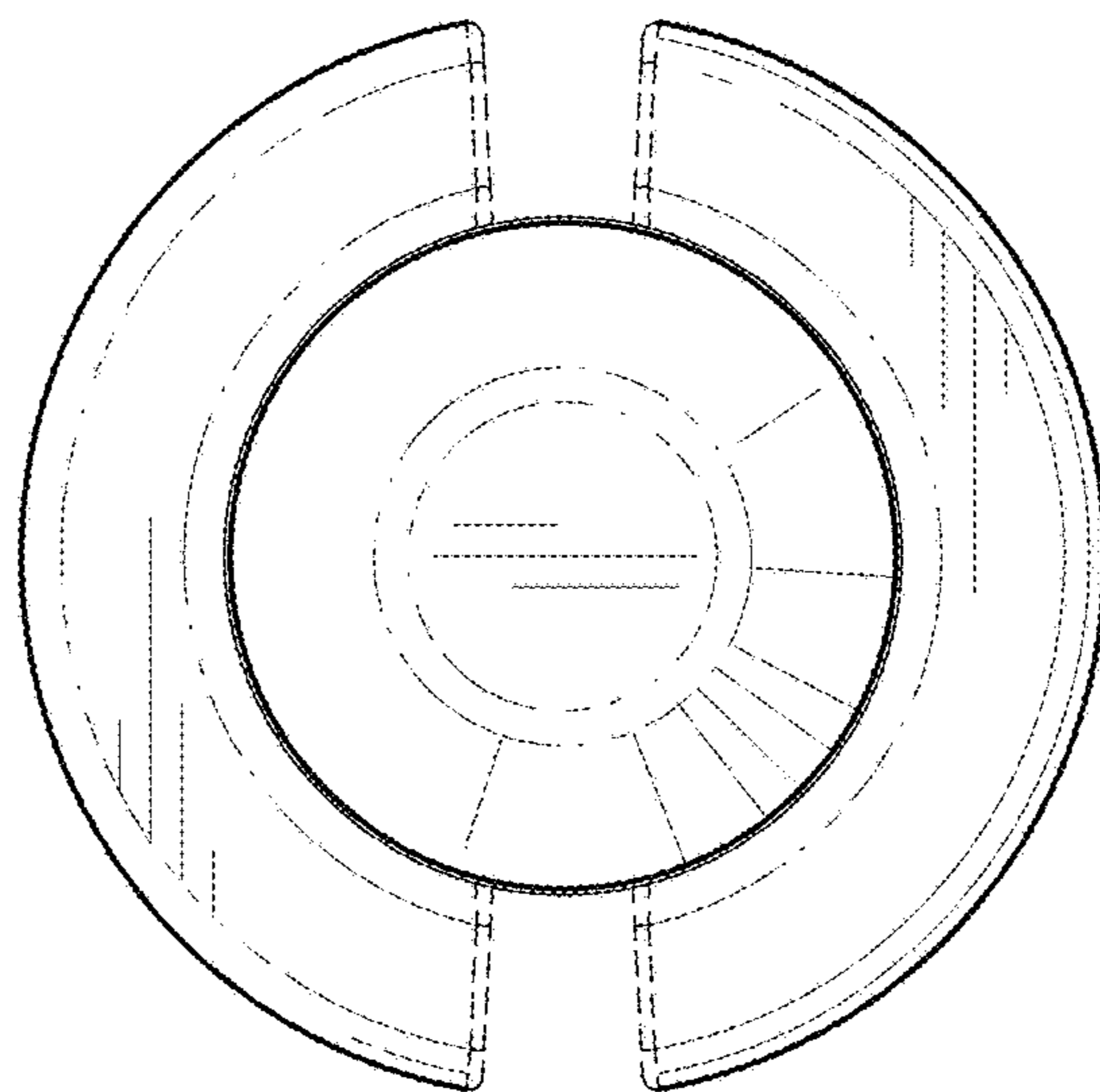


FIG. 13



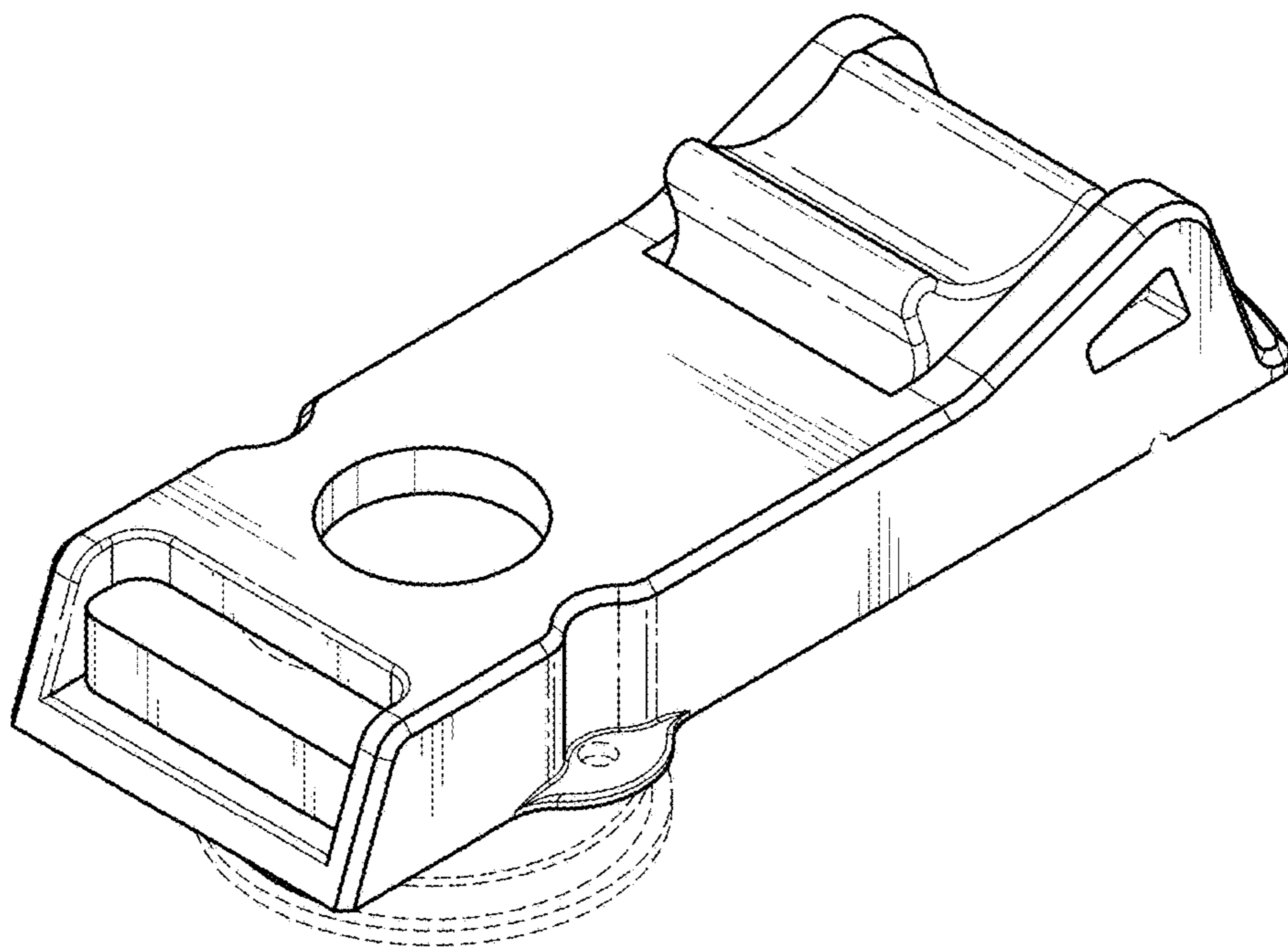


FIG. 14

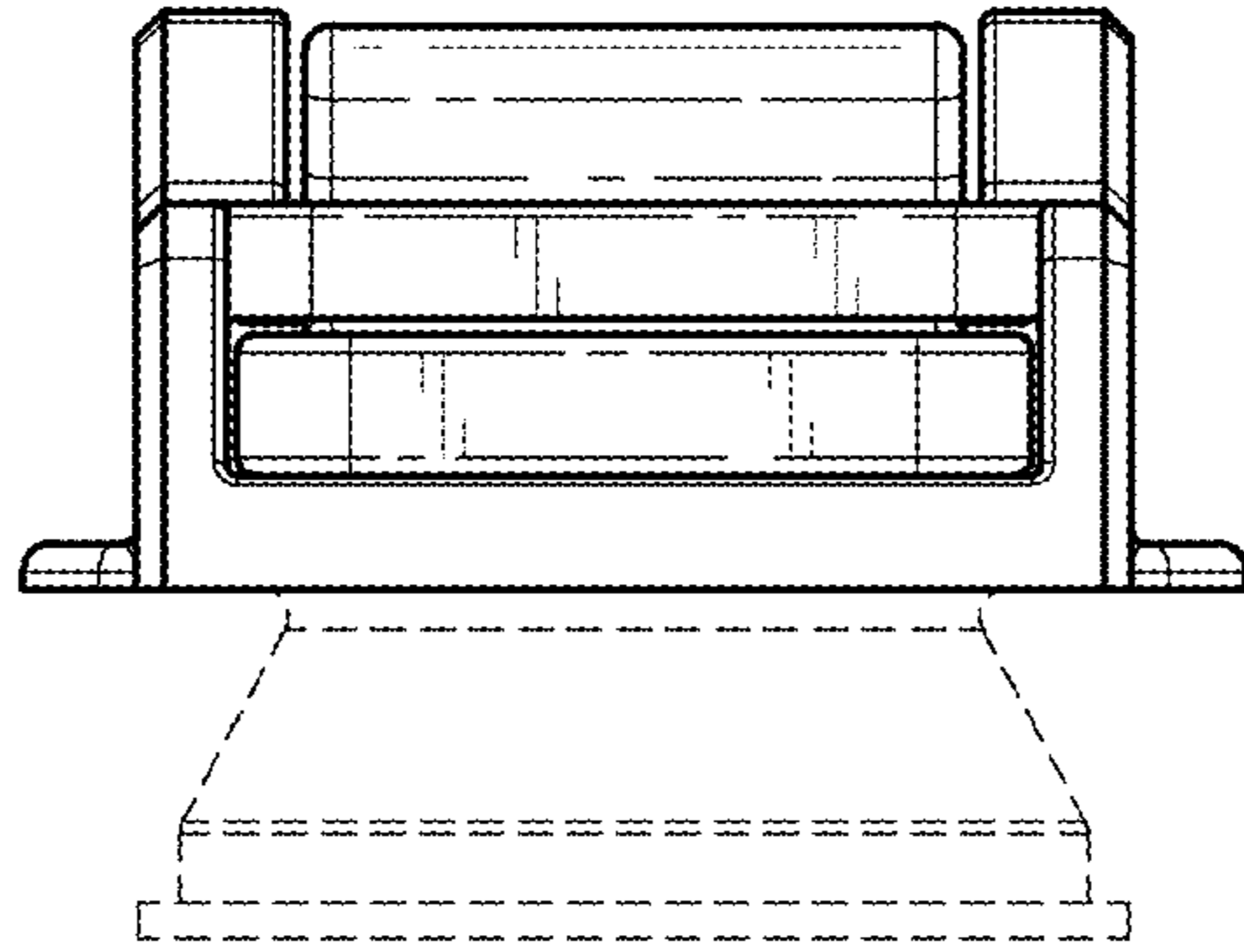


FIG. 15

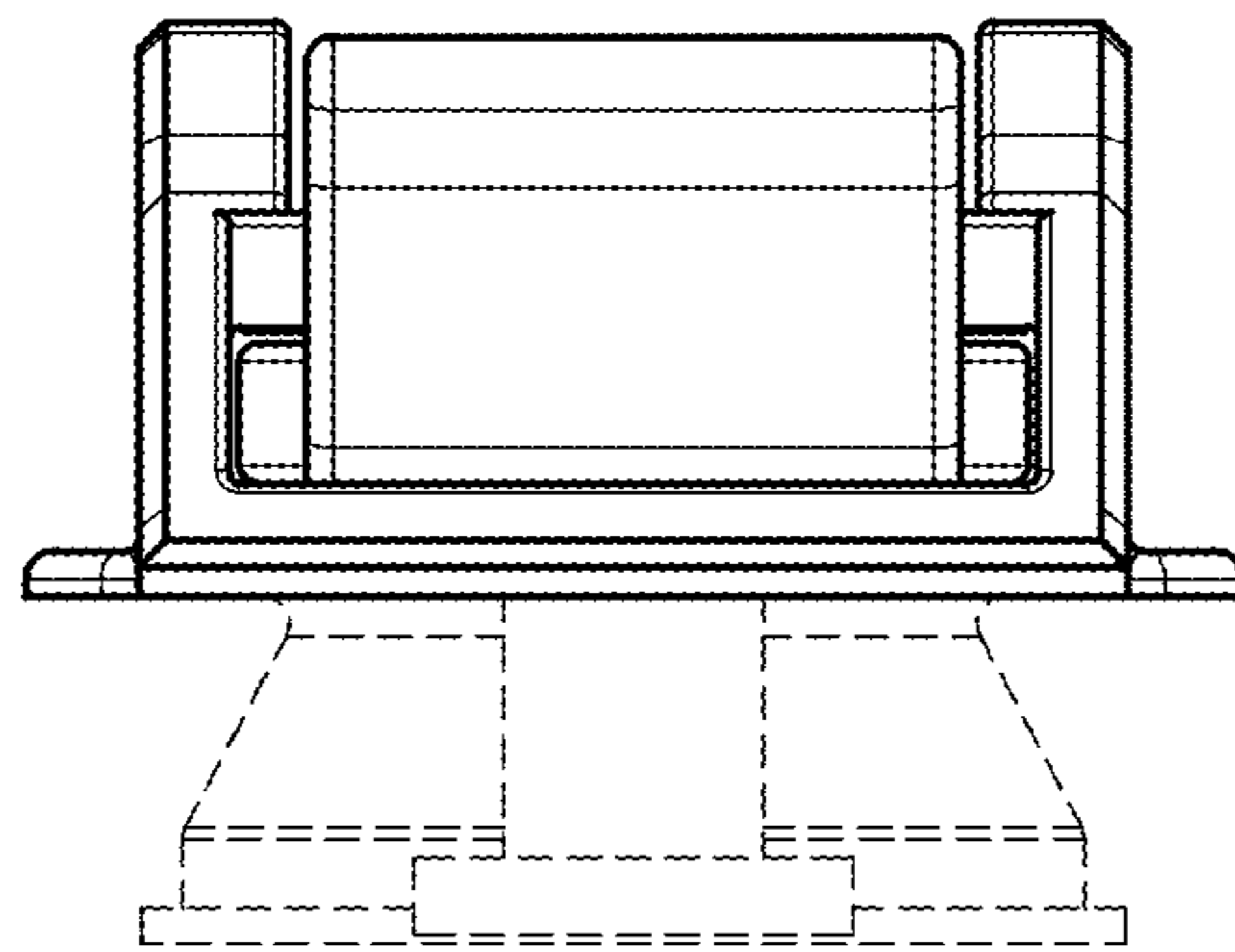


FIG. 16

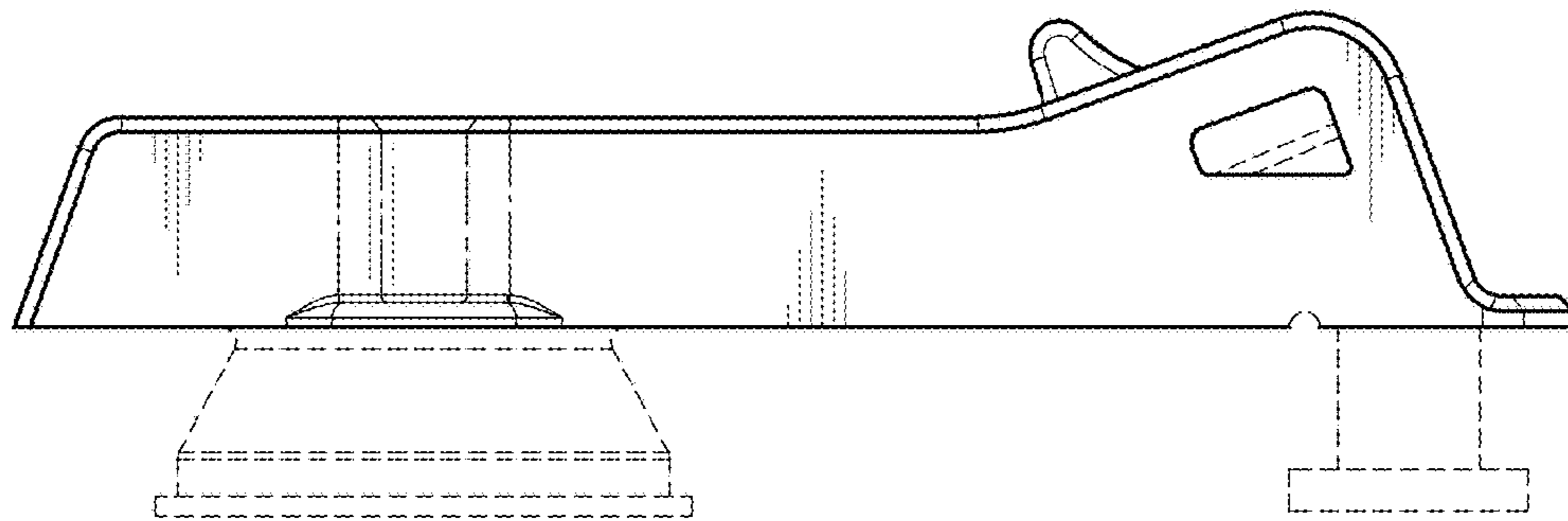


FIG. 17

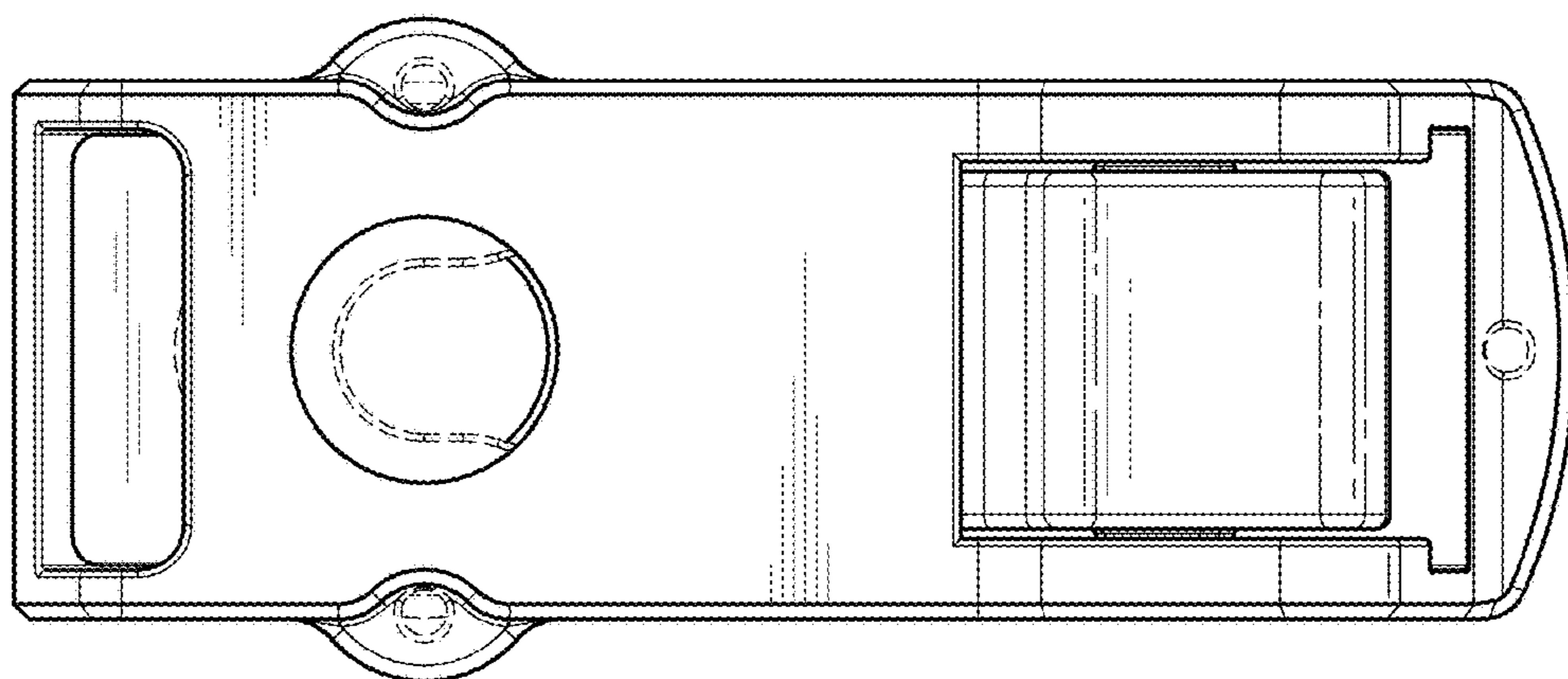


FIG. 18

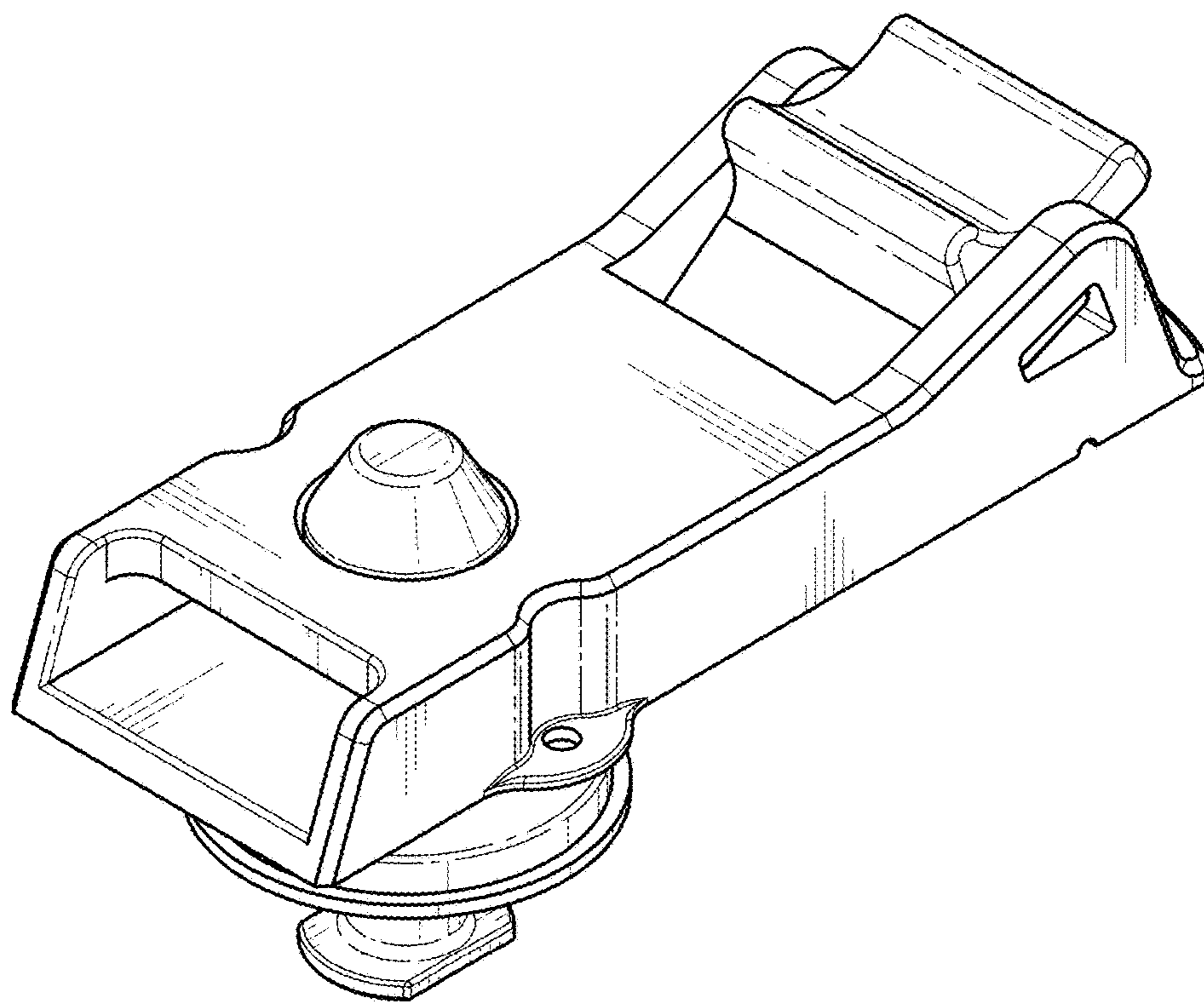


FIG. 19

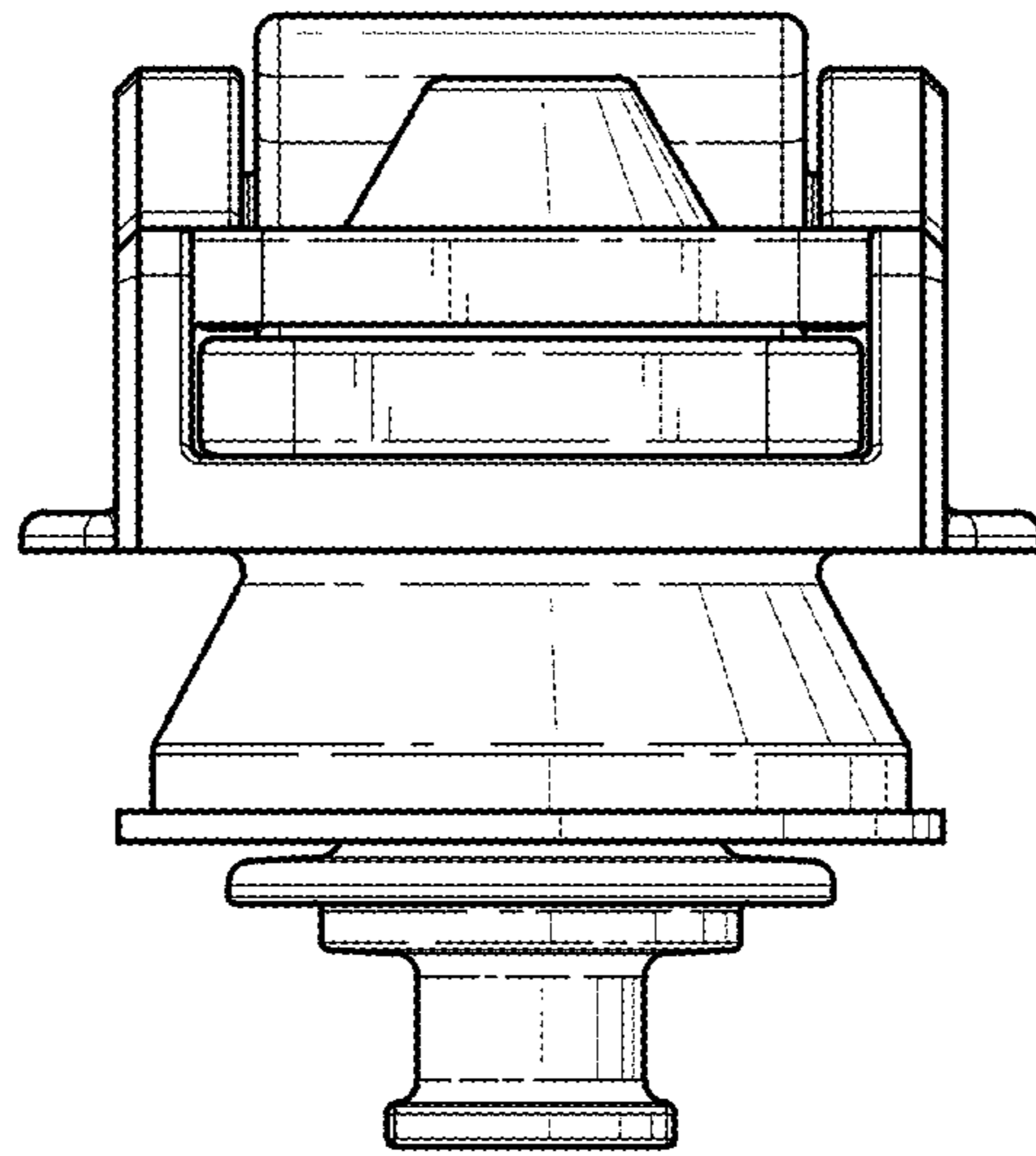


FIG. 20

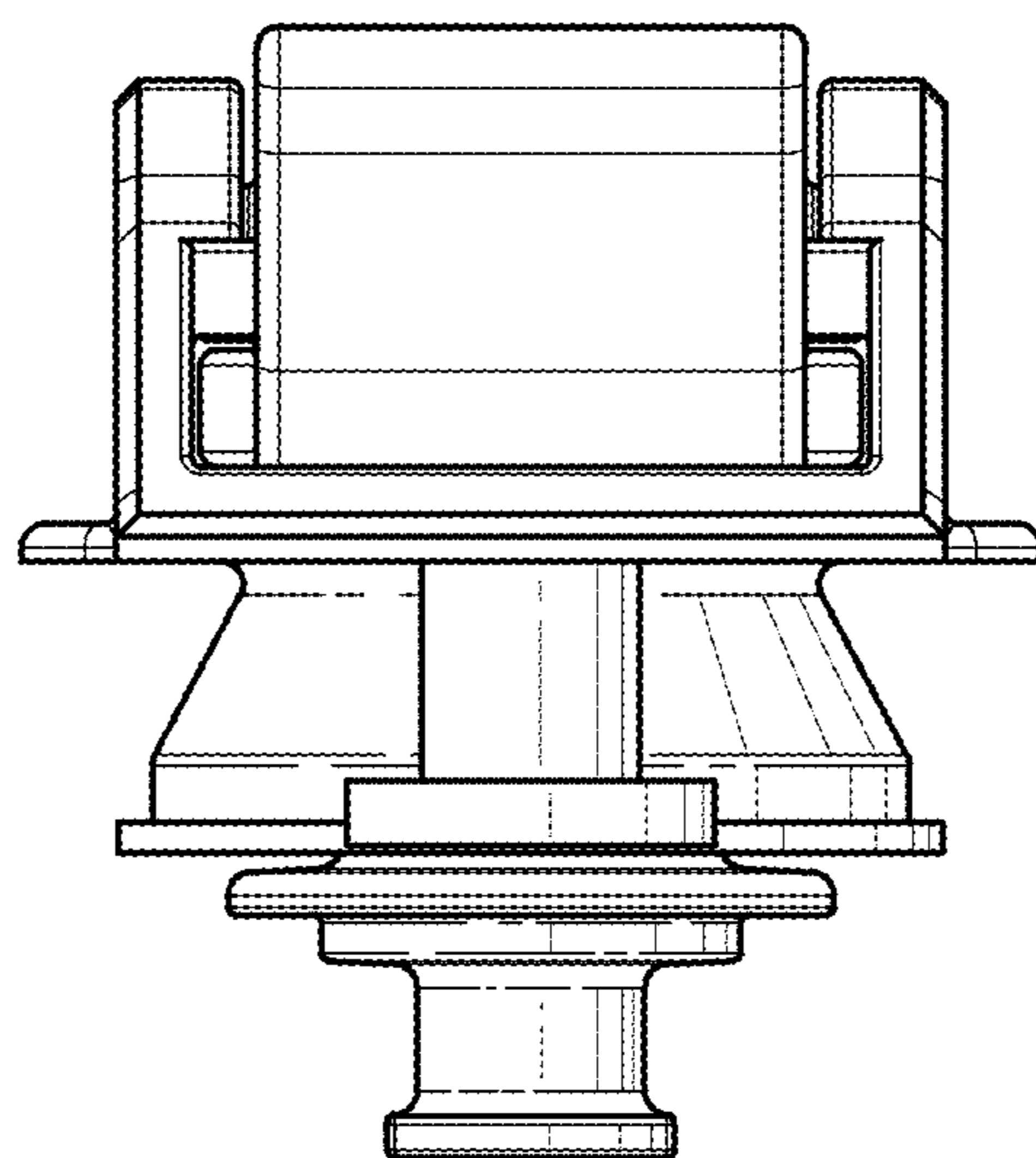


FIG. 21

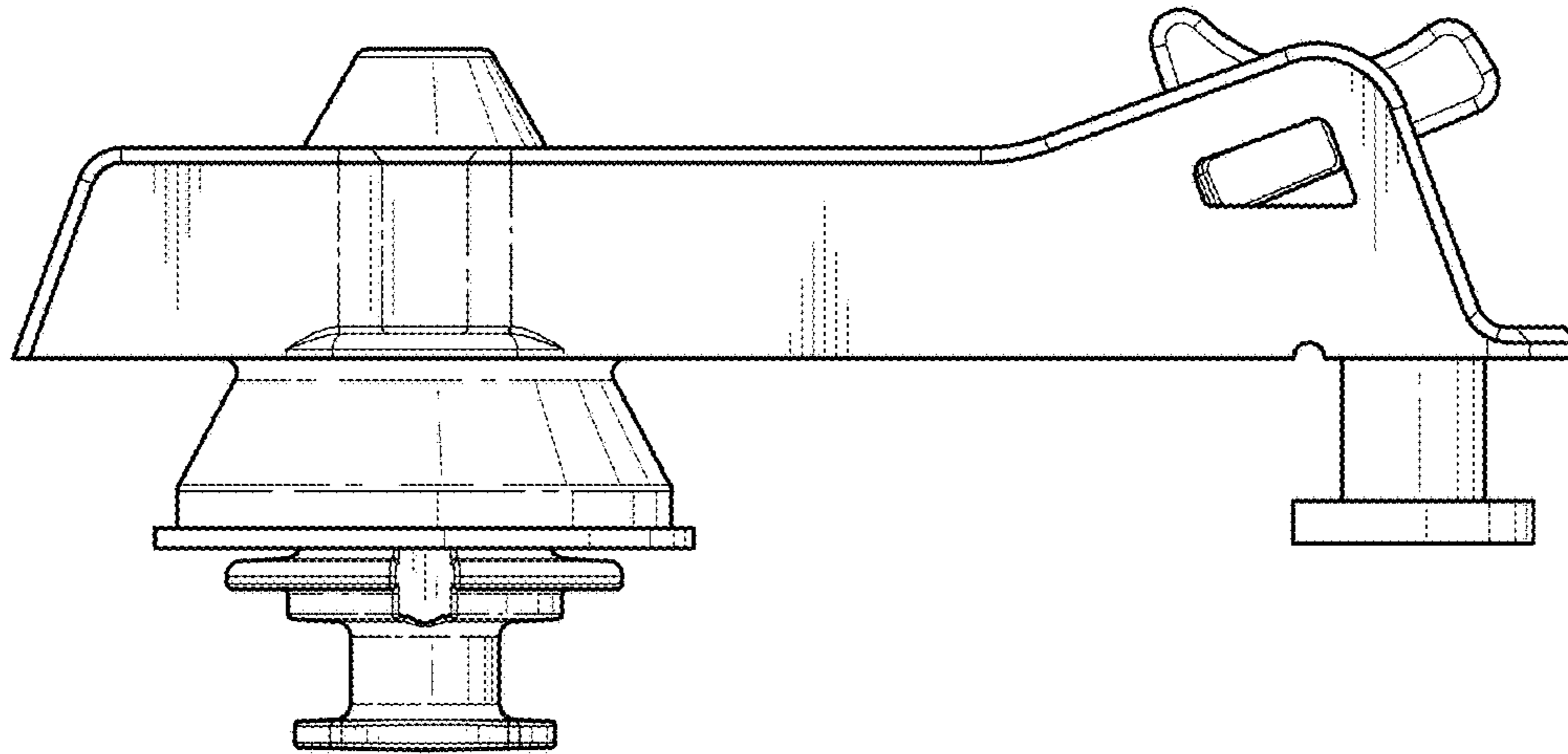


FIG. 22

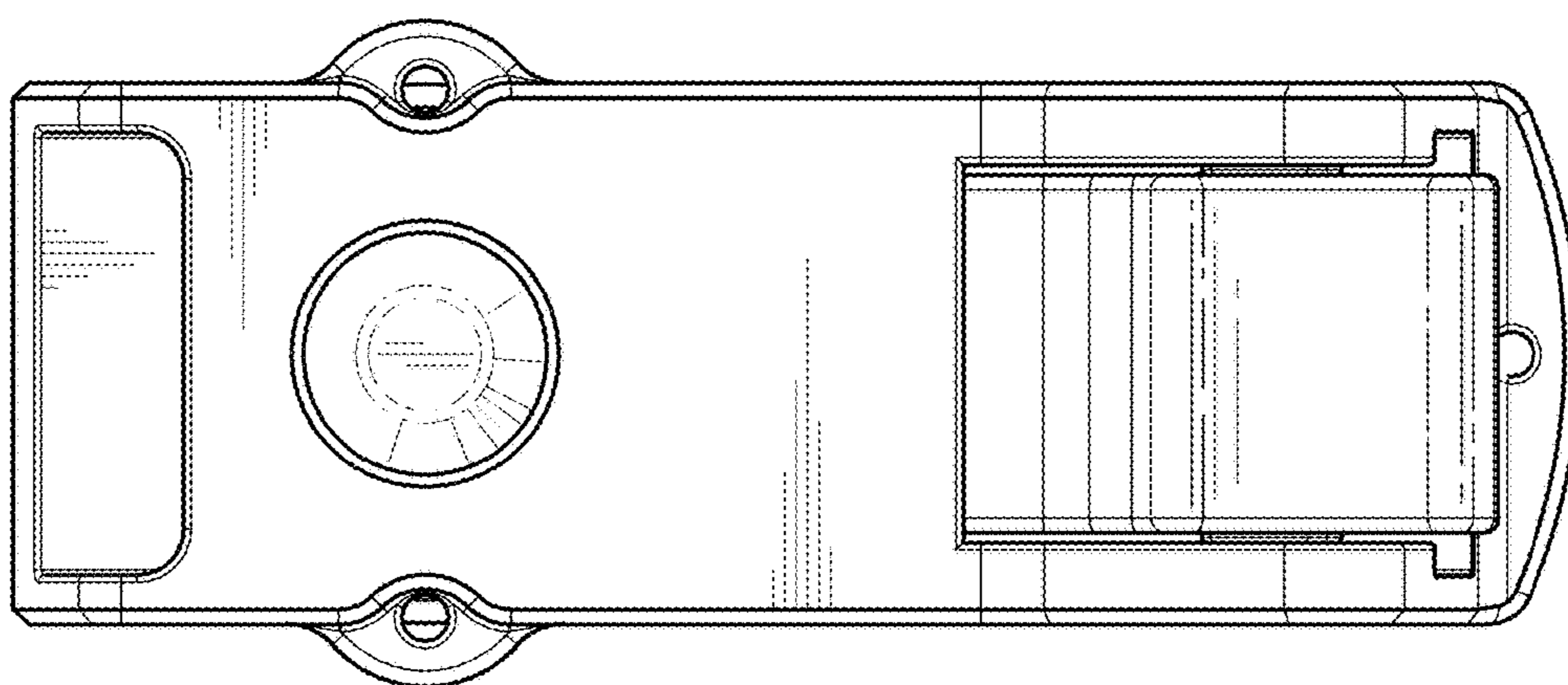


FIG. 23