



US00D773336S

(12) **United States Design Patent** (10) **Patent No.:** **US D773,336 S**
Lee et al. (45) **Date of Patent:** **** Dec. 6, 2016**

(54) **COVER ATTACHMENT FOR A WEARABLE COMPUTING DEVICE**

(71) Applicant: **WISECRACK LLC**, Manhattan Beach, CA (US)

(72) Inventors: **Jessica Lee**, Palo Alto, CA (US); **Jonas Lee**, Manhattan Beach, CA (US); **Joshua Mendelsohn**, Brooklyn, NY (US); **David Mozersky**, Palo Alto, CA (US); **Sabrina Orrison**, Huntington Beach, CA (US); **Manning Yuan**, Los Altos, CA (US); **Leah Pierce**, Brooklyn, NY (US)

(**) Term: **15 Years**

(21) Appl. No.: **29/528,741**

(22) Filed: **Jun. 1, 2015**

Related U.S. Application Data

(63) Continuation of application No. 14/710,748, filed on May 13, 2015.

(51) **LOC (10) Cl.** **11-01**

(52) **U.S. Cl.**
USPC **D11/87**

(58) **Field of Classification Search**
USPC D11/1-2, 7, 40-44, 46-49, 53, 56, 57, D11/59-61, 63, 65, 79-83, 86-87, 89-90, D11/91-92, 99, 101, 106, 114-116, D11/200-201; 63/18-20
CPC A44C 5/18-5/2061
See application file for complete search history.

(56) **References Cited**

U.S. PATENT DOCUMENTS

D360,140 S *	7/1995	Grant	D10/18
D455,355 S *	4/2002	Chan	D10/31
D495,675 S *	9/2004	Nuovo	D10/31
D562,705 S *	2/2008	Laucella	D10/37
D685,656 S *	7/2013	Chastaingt	D10/34
D687,722 S *	8/2013	Chastaingt	D10/34
D706,270 S *	6/2014	Akana	D14/440
D752,863 S *	4/2016	Torggler	D3/273
D755,765 S *	5/2016	Kim	D14/250
D766,838 S *	9/2016	Leal	D13/156

* cited by examiner

Primary Examiner — Zenia Bennett

(74) *Attorney, Agent, or Firm* — Chan Hubbard PLLC

(57) **CLAIM**

The ornamental design for a cover attachment for a wearable computing device, as shown and described.

DESCRIPTION

FIG. 1 is a top left perspective view of my new design in its environment of use;

FIG. 2 is a left side view thereof;

FIG. 3 is a right side view thereof;

FIG. 4 is a top view thereof;

FIG. 5 is a bottom view thereof;

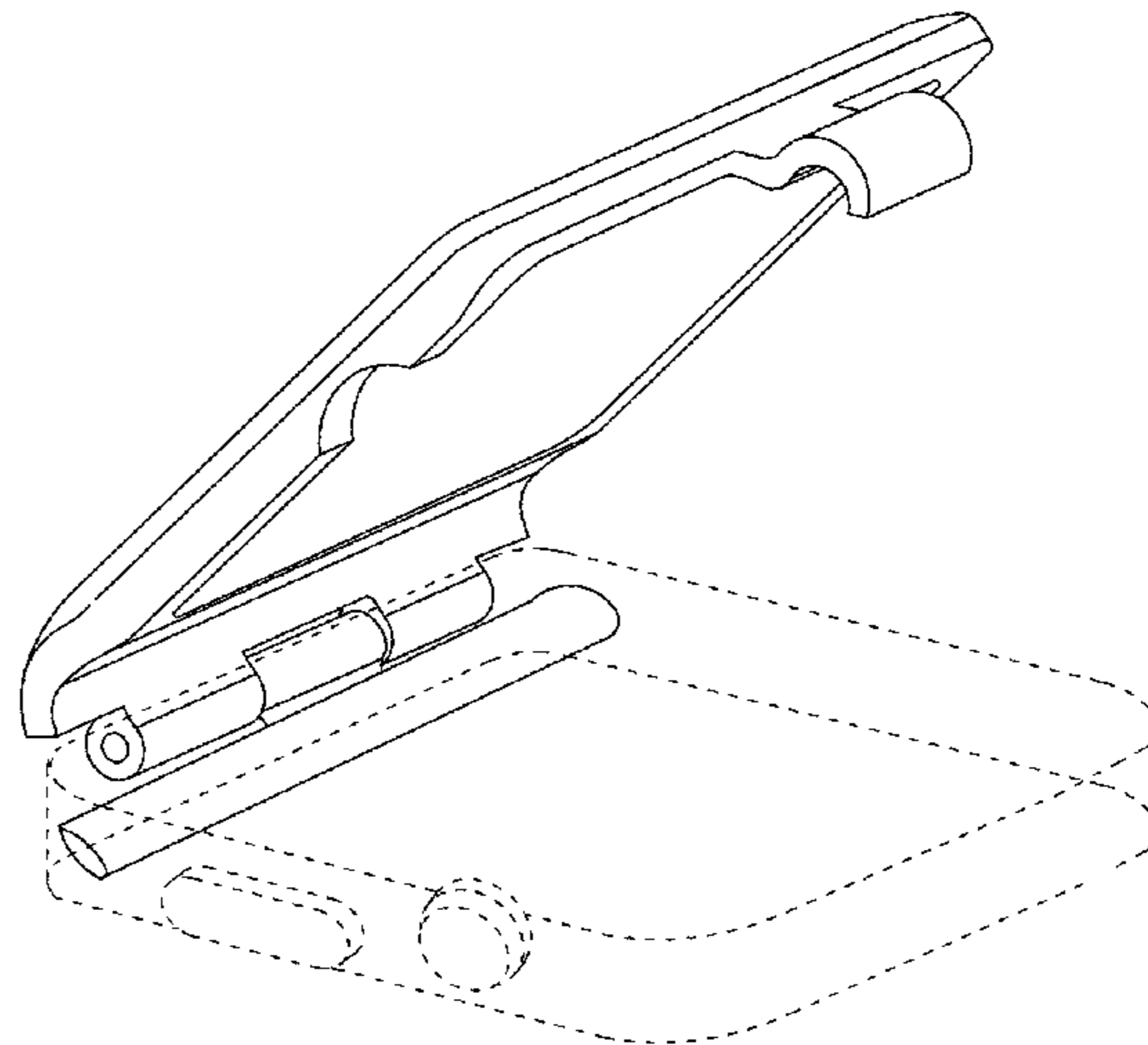
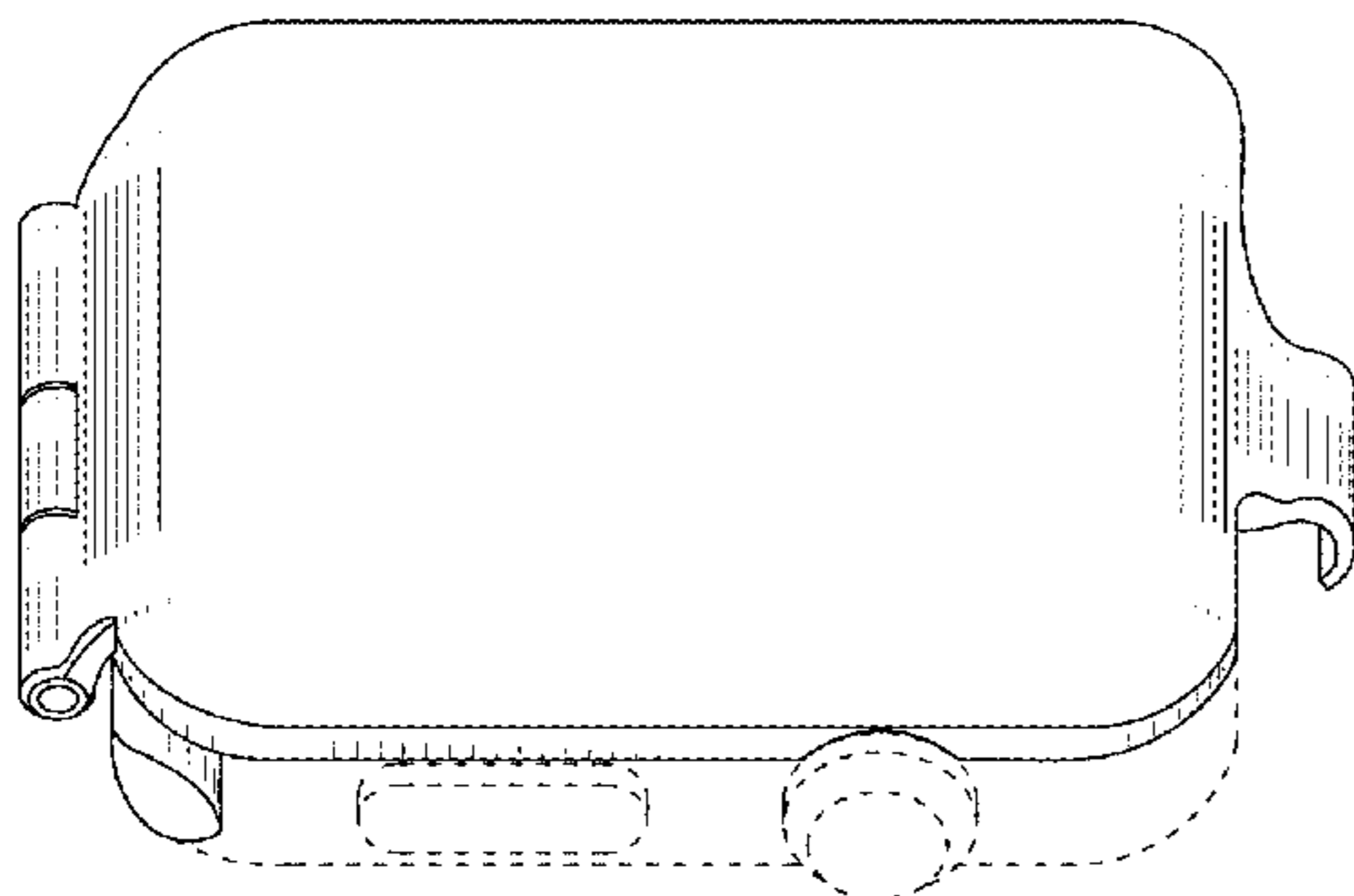
FIG. 6 is a front view thereof;

FIG. 7 is a rear view thereof; and,

FIG. 8 is an alternate perspective view of my new design in its environment of use.

The wearable computing device in the Figures is shown with dashed broken lines for illustrative purposes only and forms no part of the claimed design. The dashed broken lines that show portions of the cover attachment form no part of the claimed design.

1 Claim, 5 Drawing Sheets



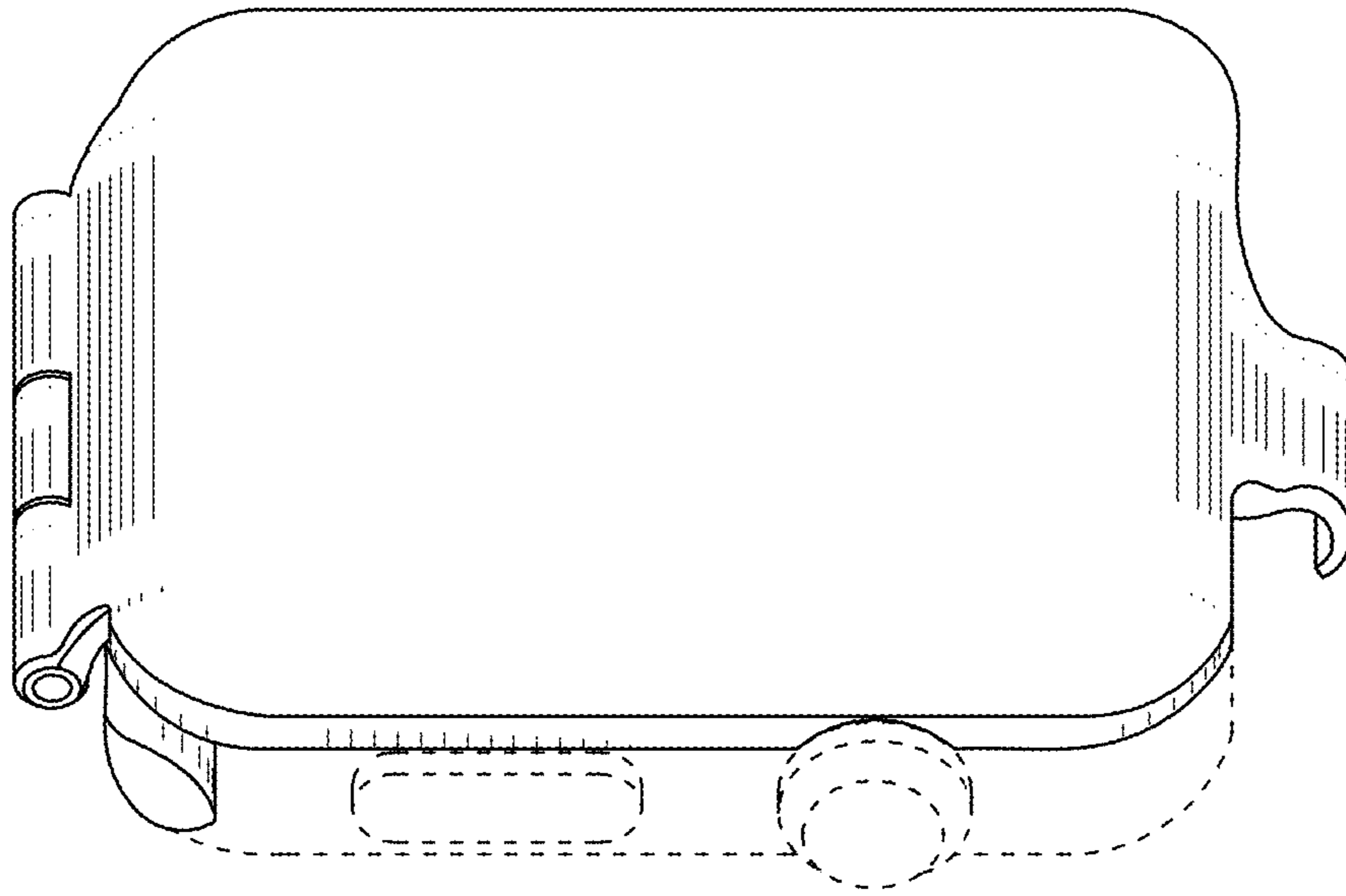


FIG. 1

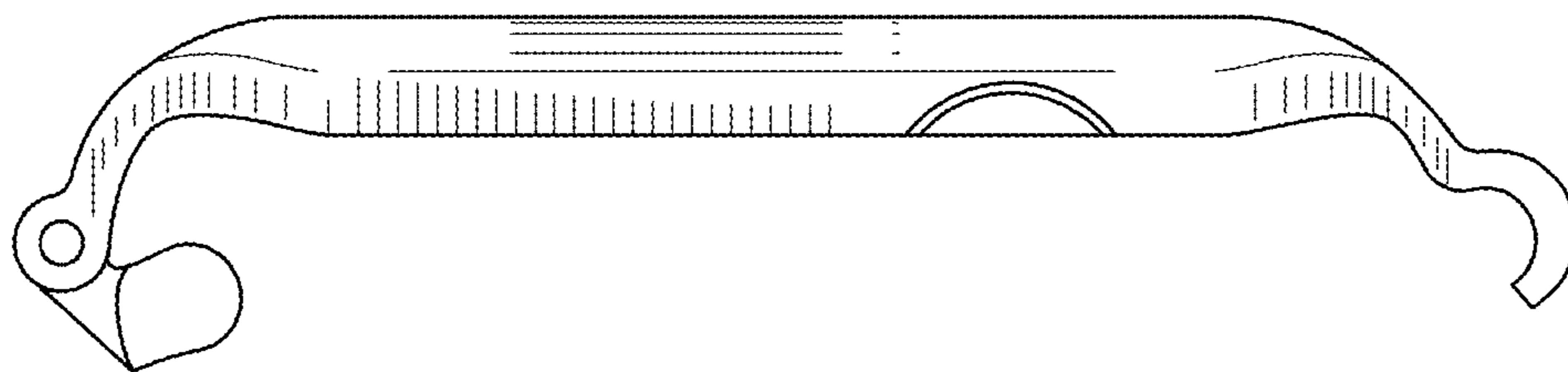


FIG. 2

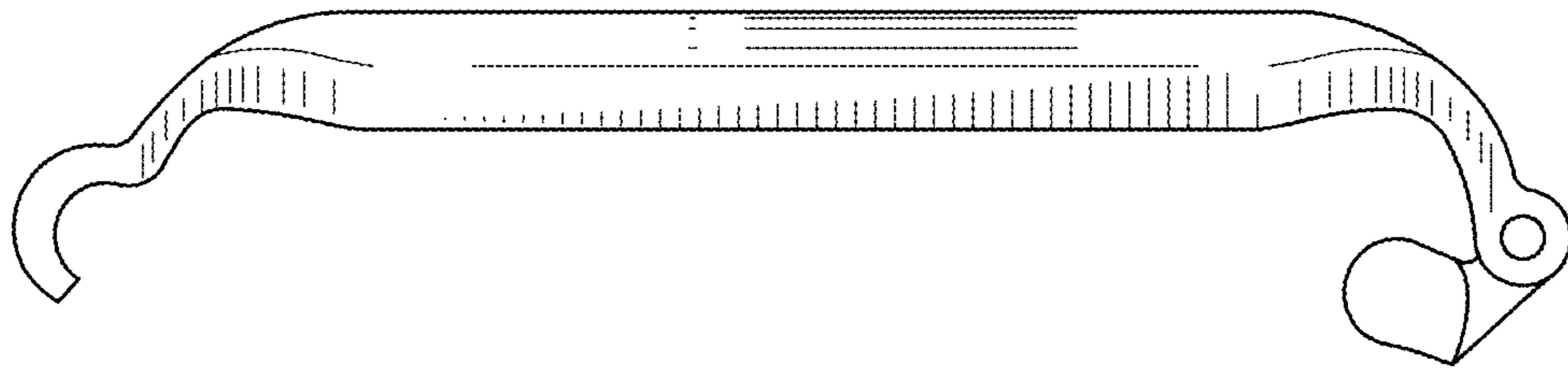


FIG. 3

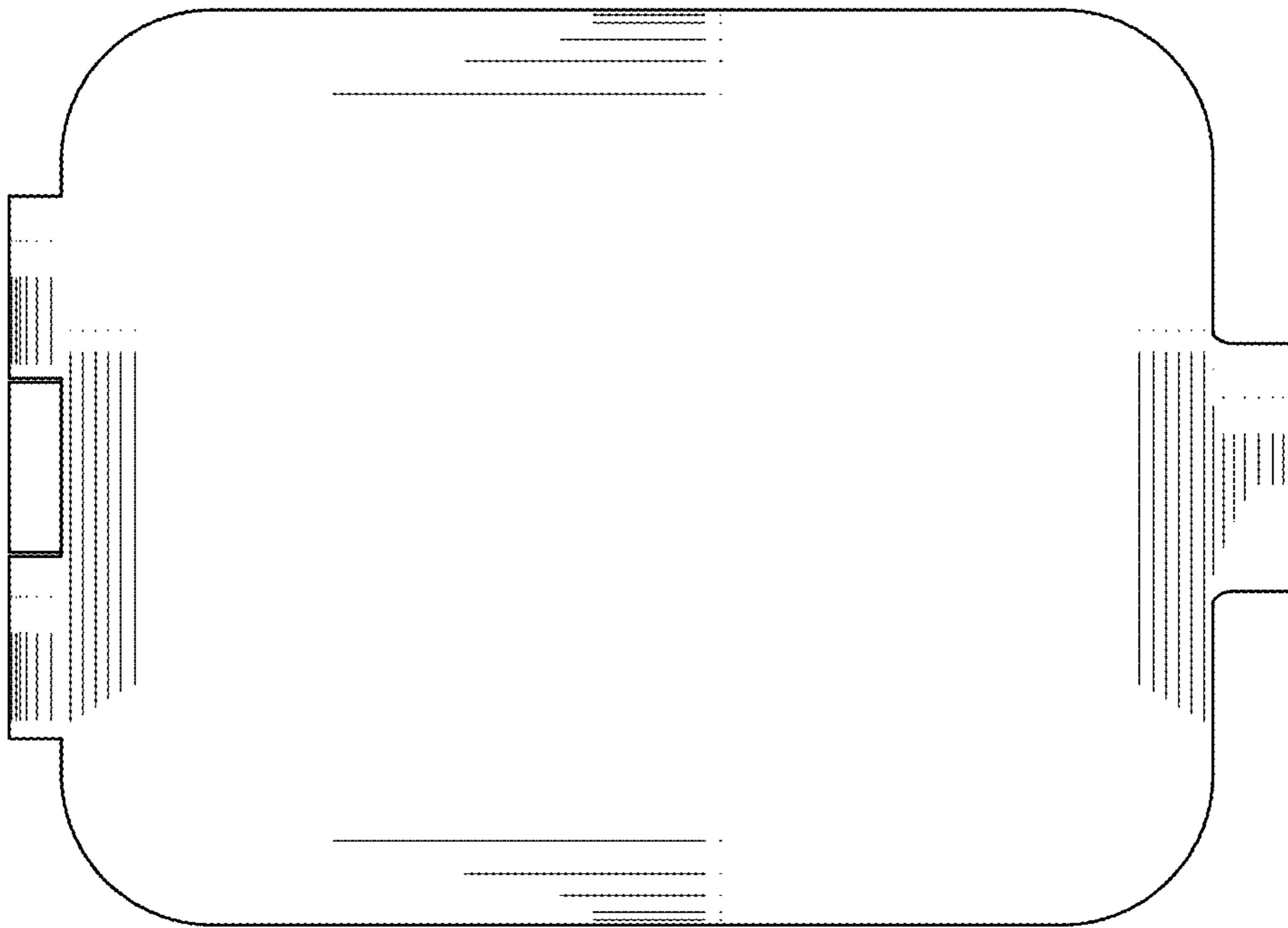


FIG. 4

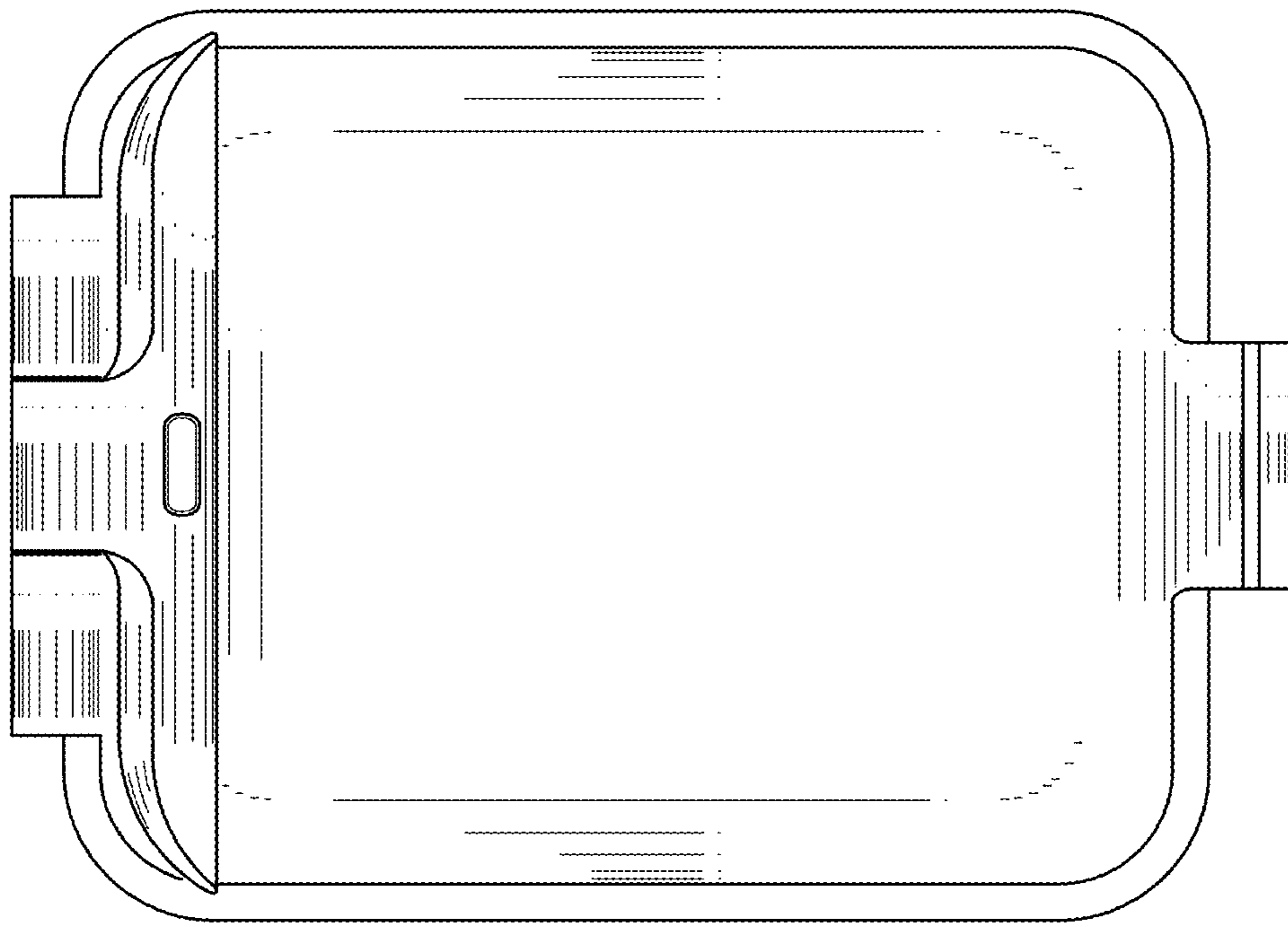


FIG. 5

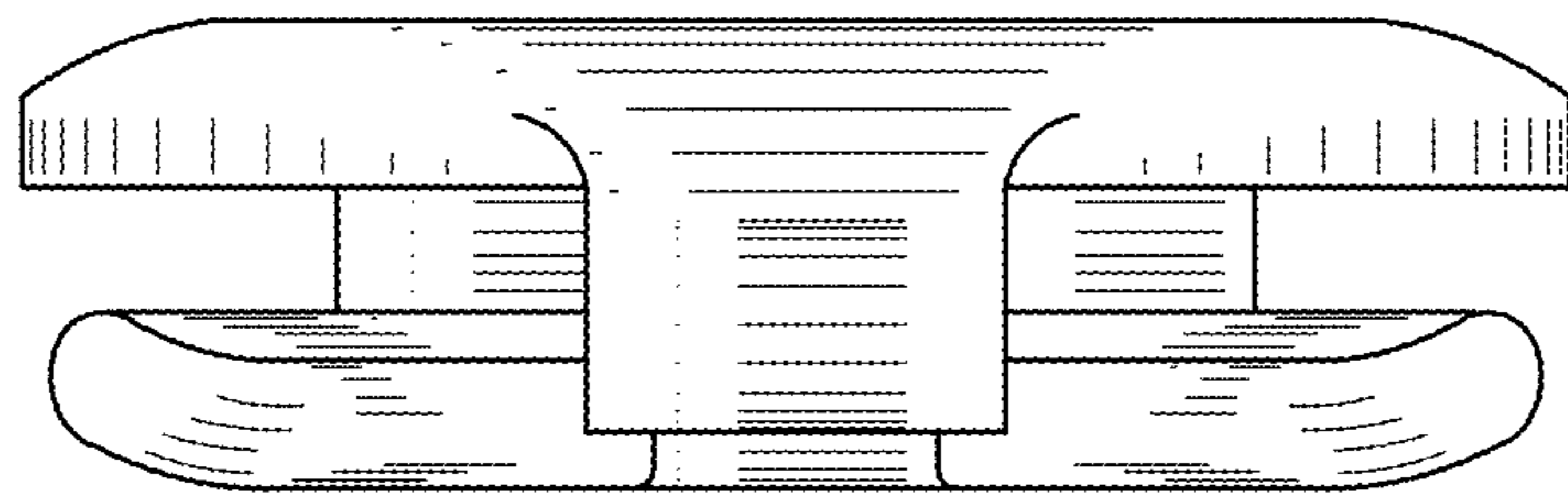


FIG. 6

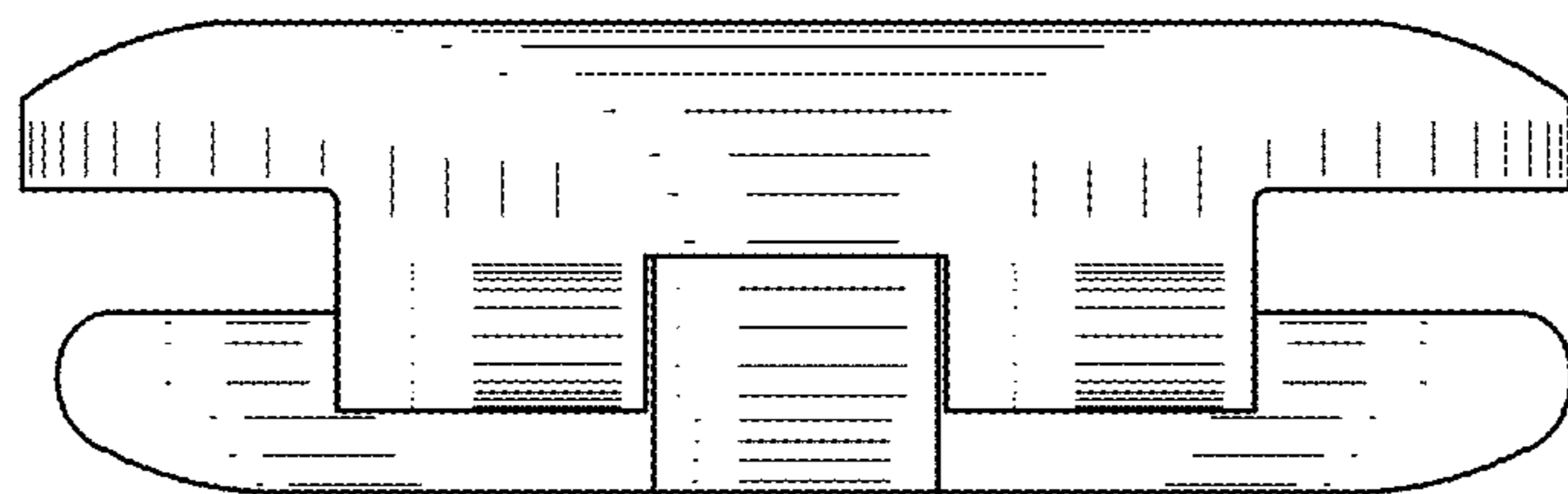


FIG. 7

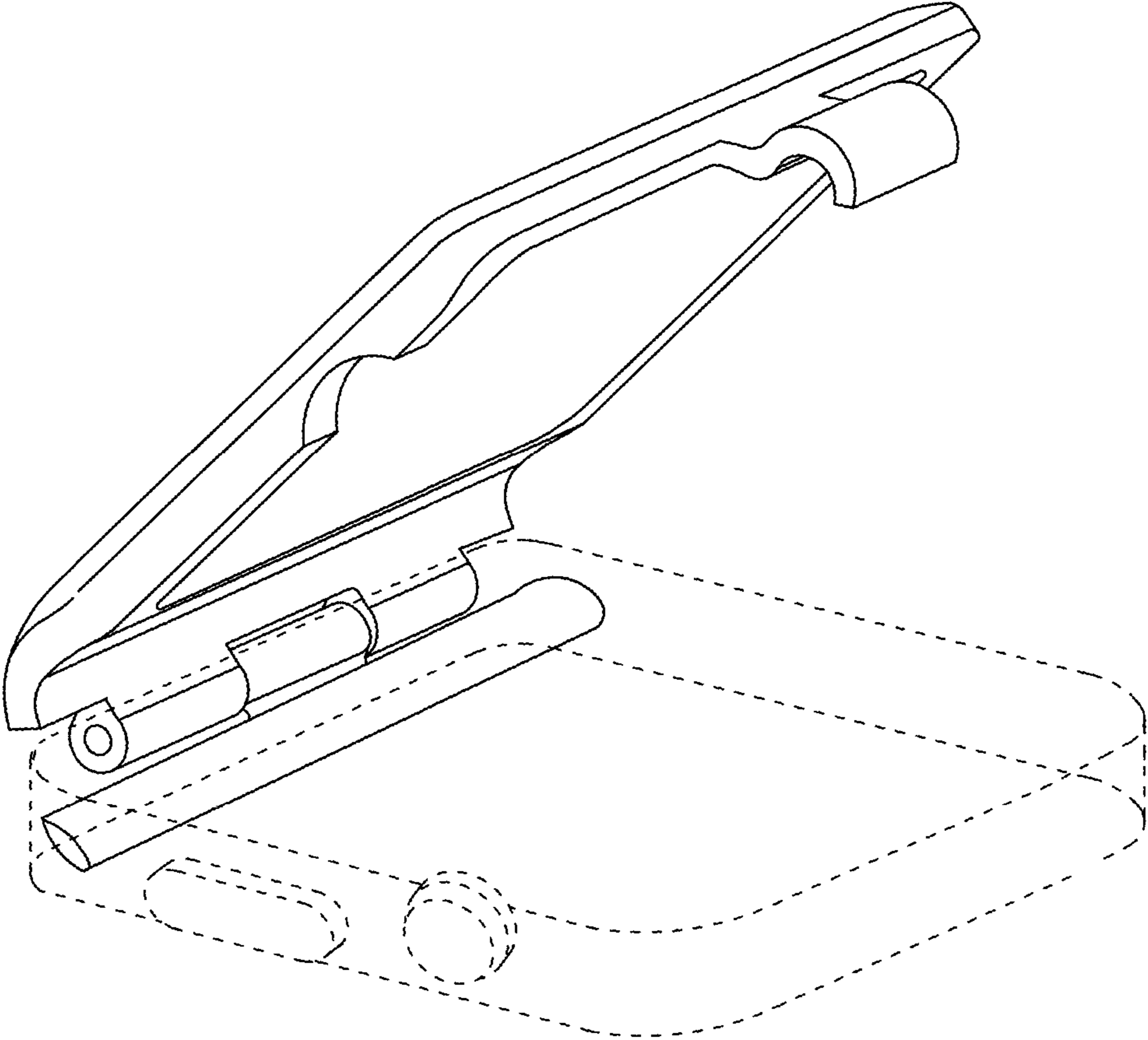


FIG. 8