



US00D773332S

(12) **United States Design Patent** (10) **Patent No.:** **US D773,332 S**  
**Kalyan et al.** (45) **Date of Patent:** **\*\* Dec. 6, 2016**

- (54) **SMOKE AND HEAT DETECTOR**
- (71) Applicant: **Honeywell International Inc.**,  
Morristown, NJ (US)
- (72) Inventors: **Vivek Kalyan**, Bangalore (IN);  
**Aanandh Suttamalli**  
**Balasubramanian**, Bangalore (IN);  
**Antony Baskar Arul**, Chennai (IN);  
**Saikrishna Reddy**, Hyderabad (IN);  
**Arjun Viswanathan**, Tiruchirappalli (IN)
- (73) Assignee: **HONEYWELL INTERNATIONAL INC.**, Morristown, NJ (US)
- (\*\*) Term: **15 Years**
- (21) Appl. No.: **29/543,114**
- (22) Filed: **Oct. 21, 2015**
- (51) **LOC (10) Cl.** ..... **10-05**
- (52) **U.S. Cl.**  
USPC ..... **D10/106.5**
- (58) **Field of Classification Search**  
USPC ..... D10/104.1, 106.1-106.7; D16/203;  
340/571, 588, 628-630  
CPC ..... G08B 5/36; G08B 17/06; G08B 17/10;  
G08B 5/38  
See application file for complete search history.

- D364,108 S \* 11/1995 DeWitt ..... D10/106.5
- D368,043 S \* 3/1996 Pun ..... D10/106.6
- D412,676 S \* 8/1999 Layes ..... D10/106.6
- D419,476 S \* 1/2000 Baker ..... D10/106.5
- D424,465 S \* 5/2000 Davidson ..... D10/106.1
- 8,130,113 B1 \* 3/2012 Orłowski ..... B65G 39/09  
340/679
- D715,670 S \* 10/2014 Stagg ..... D10/106.5
- 2015/0339896 A1 \* 11/2015 Stagg ..... G08B 5/36  
340/521

\* cited by examiner

*Primary Examiner* — Sandra Morris  
(74) *Attorney, Agent, or Firm* — Husch Blackwell LLP

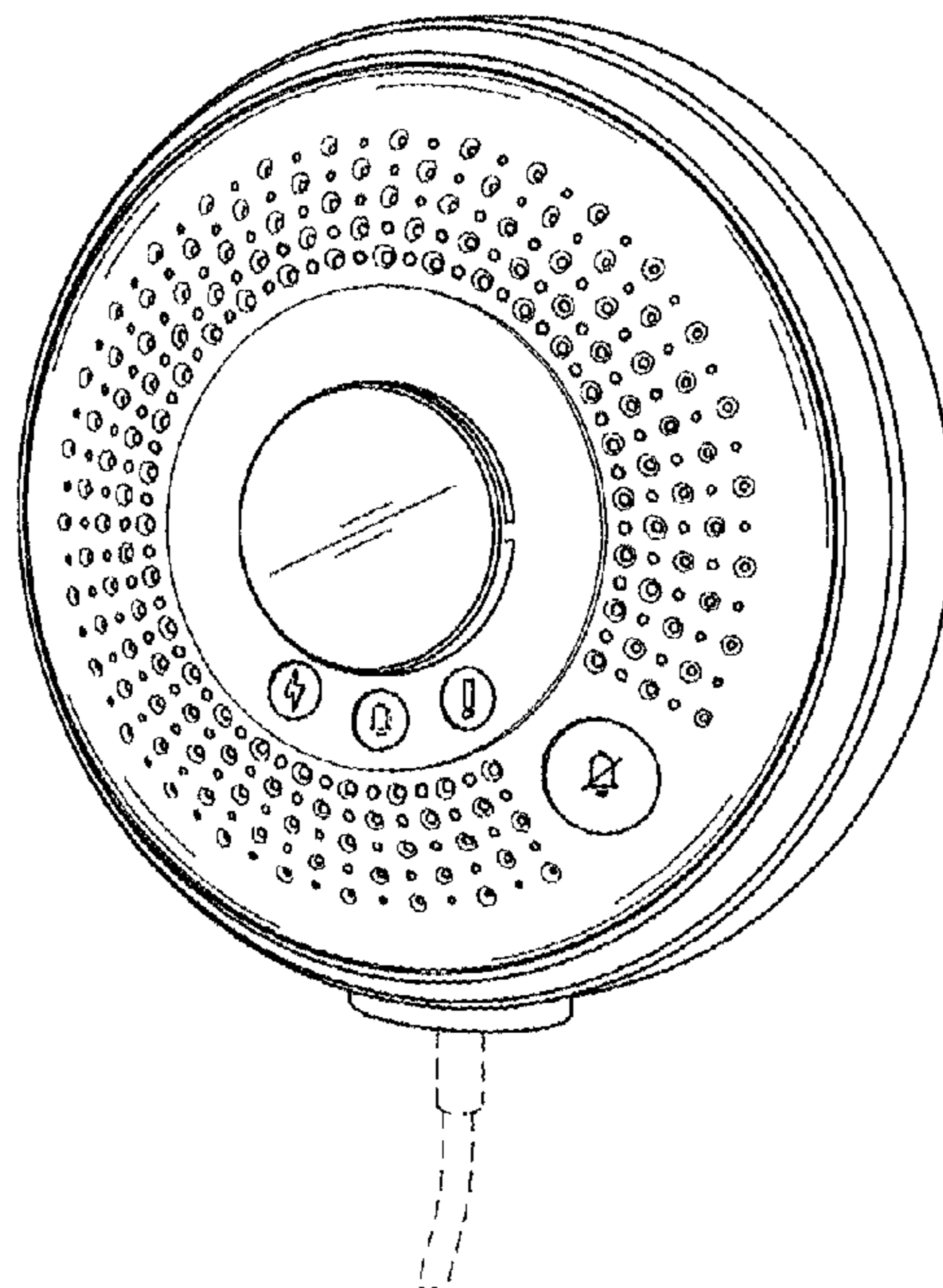
(57) **CLAIM**  
The ornamental design for a smoke and heat detector, as shown and described.

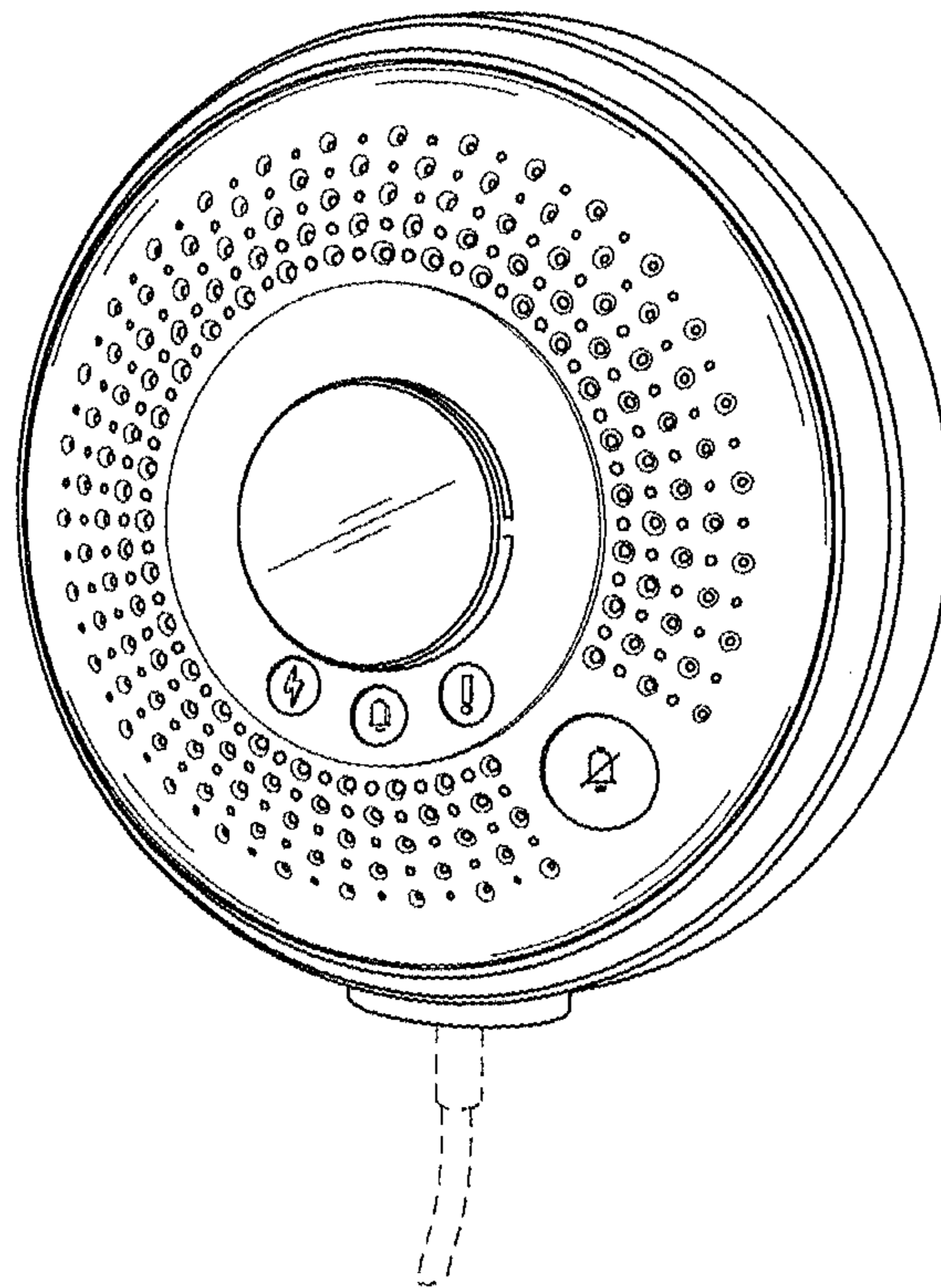
**DESCRIPTION**

FIG. 1 is a perspective view of the smoke and heat detector. FIG. 2 is a front elevation view thereof. FIG. 3 is a first side elevation view thereof, the opposing side view being a mirror image thereof. FIG. 4 is a top plan view thereof; and, FIG. 5 is a bottom plan view thereof. The broken lines in the drawings depict subject matter that is hereby disclaimed and forms no part of the claimed design. In addition, the rear view of the smoke and heat detector illustrated in FIGS. 1-5 is hereby disclaimed and forms no part of the claimed design.

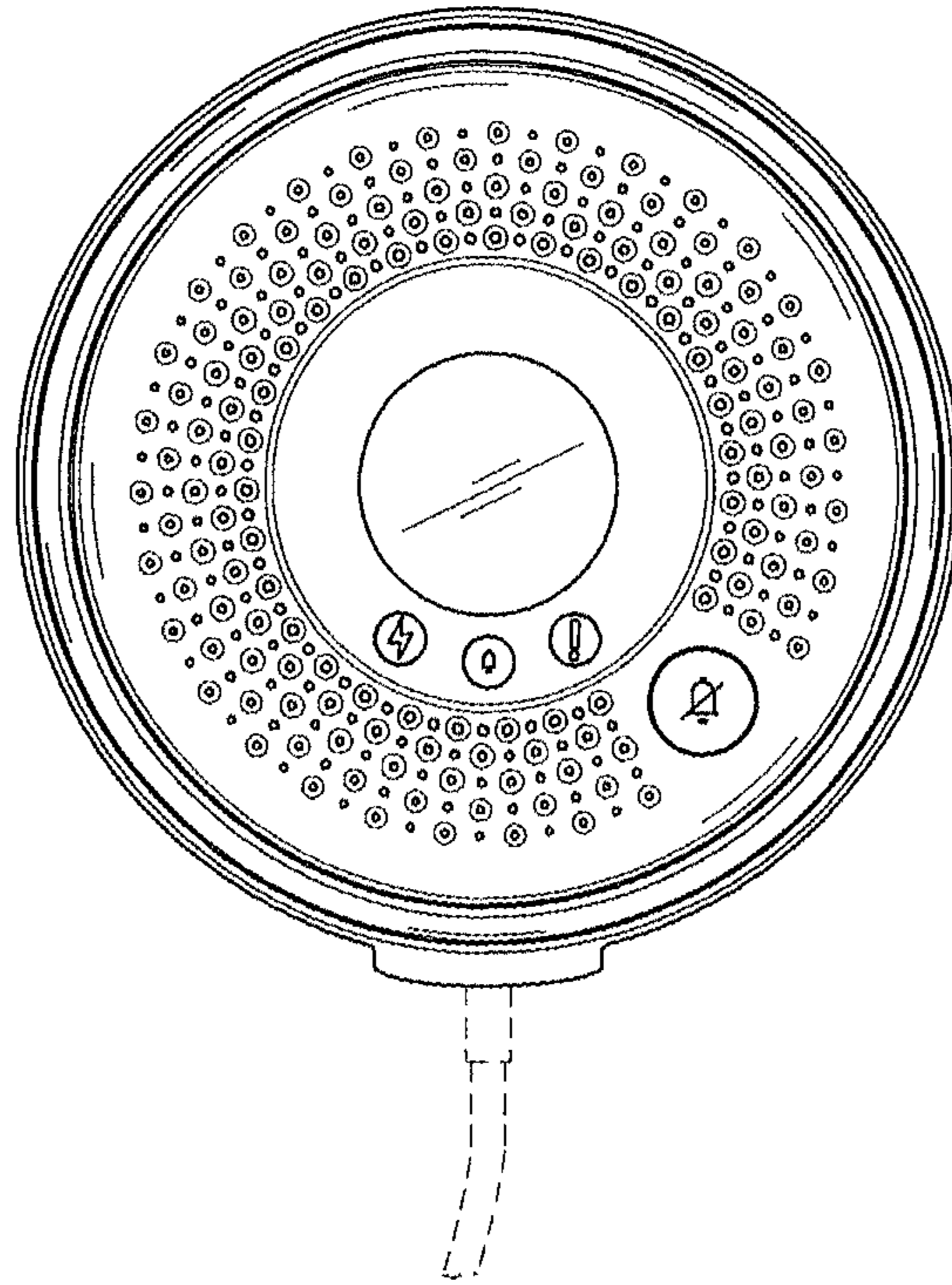
- (56) **References Cited**  
U.S. PATENT DOCUMENTS  
D240,120 S \* 6/1976 Pasquarette ..... D10/106.5  
D346,981 S \* 5/1994 Ratzlaff ..... D10/106.5

**1 Claim, 3 Drawing Sheets**

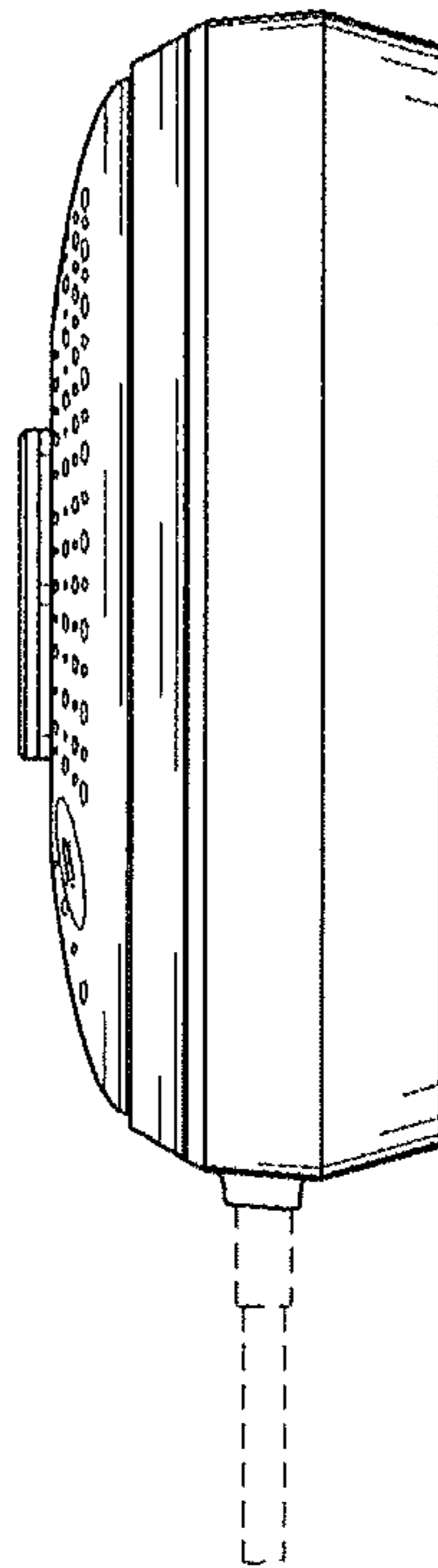




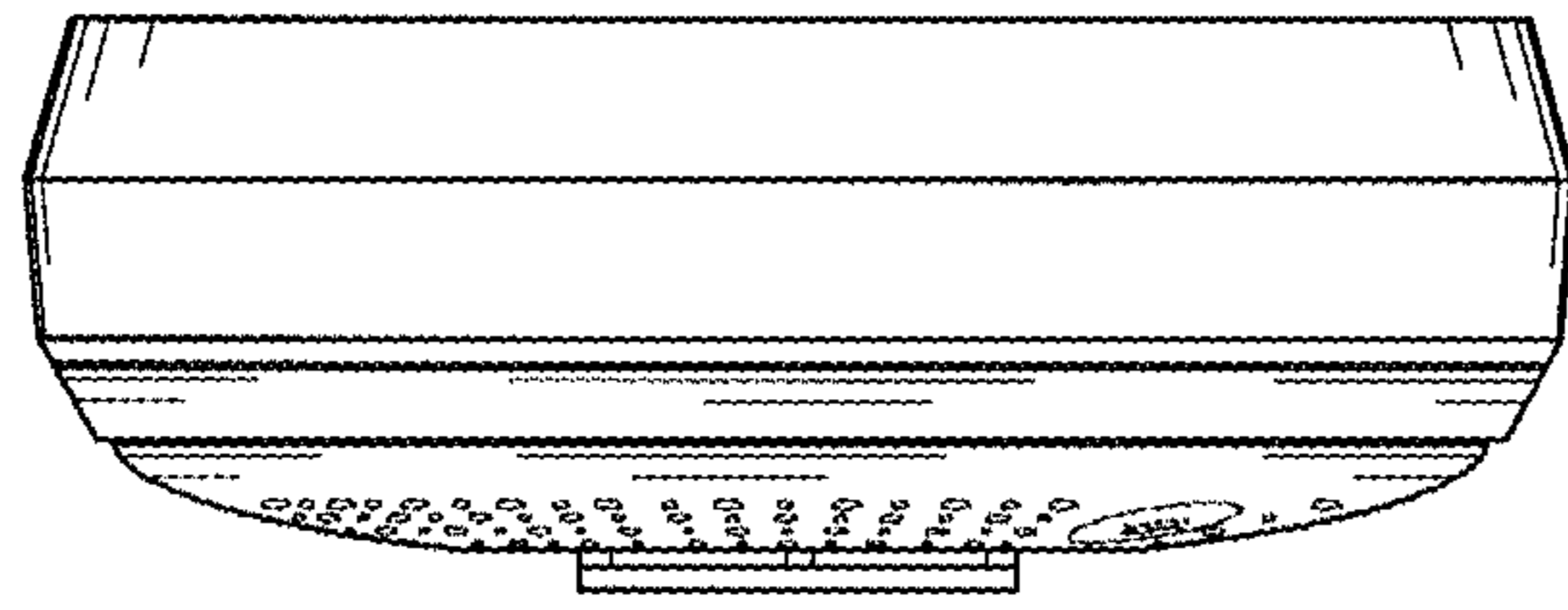
*FIG. 1*



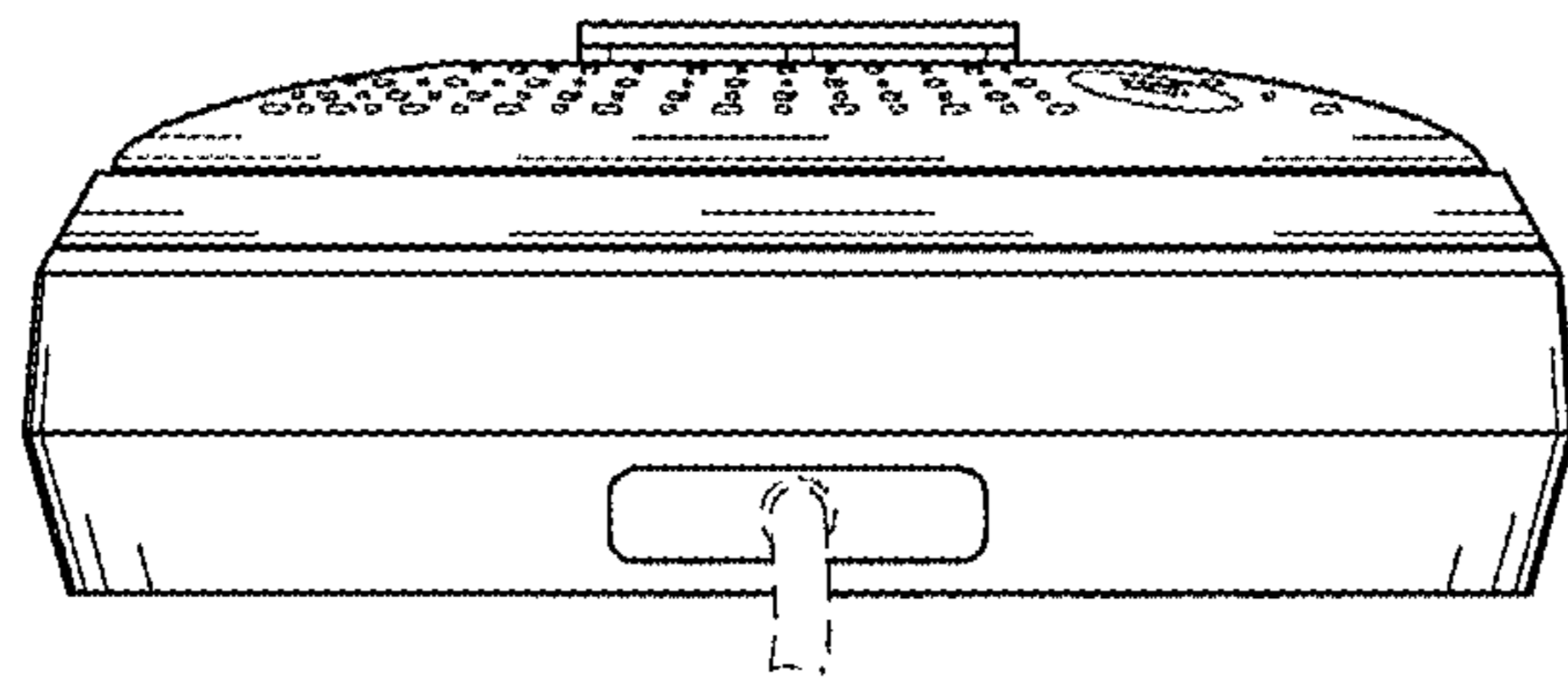
*FIG. 2*



*FIG. 3*



*FIG. 4*



*FIG. 5*