



US00D773331S

(12) **United States Design Patent** (10) **Patent No.:** **US D773,331 S**  
**Wang** (45) **Date of Patent:** **\*\* Dec. 6, 2016**

(54) **MECHANICAL HEAT DETECTOR**

(71) Applicant: **Honeywell International Inc.,**  
Morristown, NJ (US)

(72) Inventor: **Liyi Wang, Xi'an (CN)**

(73) Assignee: **HONEYWELL INTERNATIONAL**  
**INC.,** Morristown, NJ (US)

(\*\*) Term: **15 Years**

(21) Appl. No.: **29/540,546**

(22) Filed: **Sep. 25, 2015**

(51) **LOC (10) Cl.** ..... **10-05**

(52) **U.S. Cl.**  
USPC ..... **D10/106.5**

(58) **Field of Classification Search**  
USPC ..... D10/104.1, 106.1-106.8; D16/203;  
340/571, 588, 628-630  
CPC ..... G08B 5/36; G08B 17/06; G08B 17/10;  
G08B 5/38  
See application file for complete search history.

(56) **References Cited**

**U.S. PATENT DOCUMENTS**

D339,756 S \* 9/1993 Igarashi ..... D10/106.5  
D356,050 S \* 3/1995 Tice ..... D10/106.5  
D382,825 S \* 8/1997 Amleshi ..... D10/106.5  
D388,351 S \* 12/1997 Repp ..... D10/106.5  
D391,185 S \* 2/1998 Tomizawa ..... D10/106.5  
D425,535 S \* 5/2000 Mutoh ..... D10/106.1  
D426,250 S \* 6/2000 Lefkowitz ..... D10/106.1  
D505,632 S \* 5/2005 Johnson ..... D10/106.5  
6,967,582 B2 \* 11/2005 Tice ..... G08B 17/10  
340/628  
D577,301 S \* 9/2008 Johnson ..... D10/106.1

D591,629 S \* 5/2009 Tsurumi ..... D10/106.5  
D651,926 S \* 1/2012 Akiyama ..... D10/106.5  
8,106,784 B2 \* 1/2012 Katou ..... G08B 17/06  
340/628  
D675,948 S \* 2/2013 Kawaguchi ..... D10/106.5  
D700,095 S \* 2/2014 Dohi ..... D10/106.5  
8,816,867 B2 \* 8/2014 Mammoto ..... G08B 17/10  
204/407  
D715,170 S \* 10/2014 Brigham ..... D10/106.5  
D715,171 S \* 10/2014 Brigham ..... D10/106.5  
2013/0008787 A1 \* 1/2013 Mammoto ..... G08B 17/10  
204/407

**OTHER PUBLICATIONS**

System Sensor's 5600 Series Mechanical Heat Detectors (Jul. 2013).

\* cited by examiner

*Primary Examiner* — Sandra Morris

(74) *Attorney, Agent, or Firm* — Husch Blackwell LLP

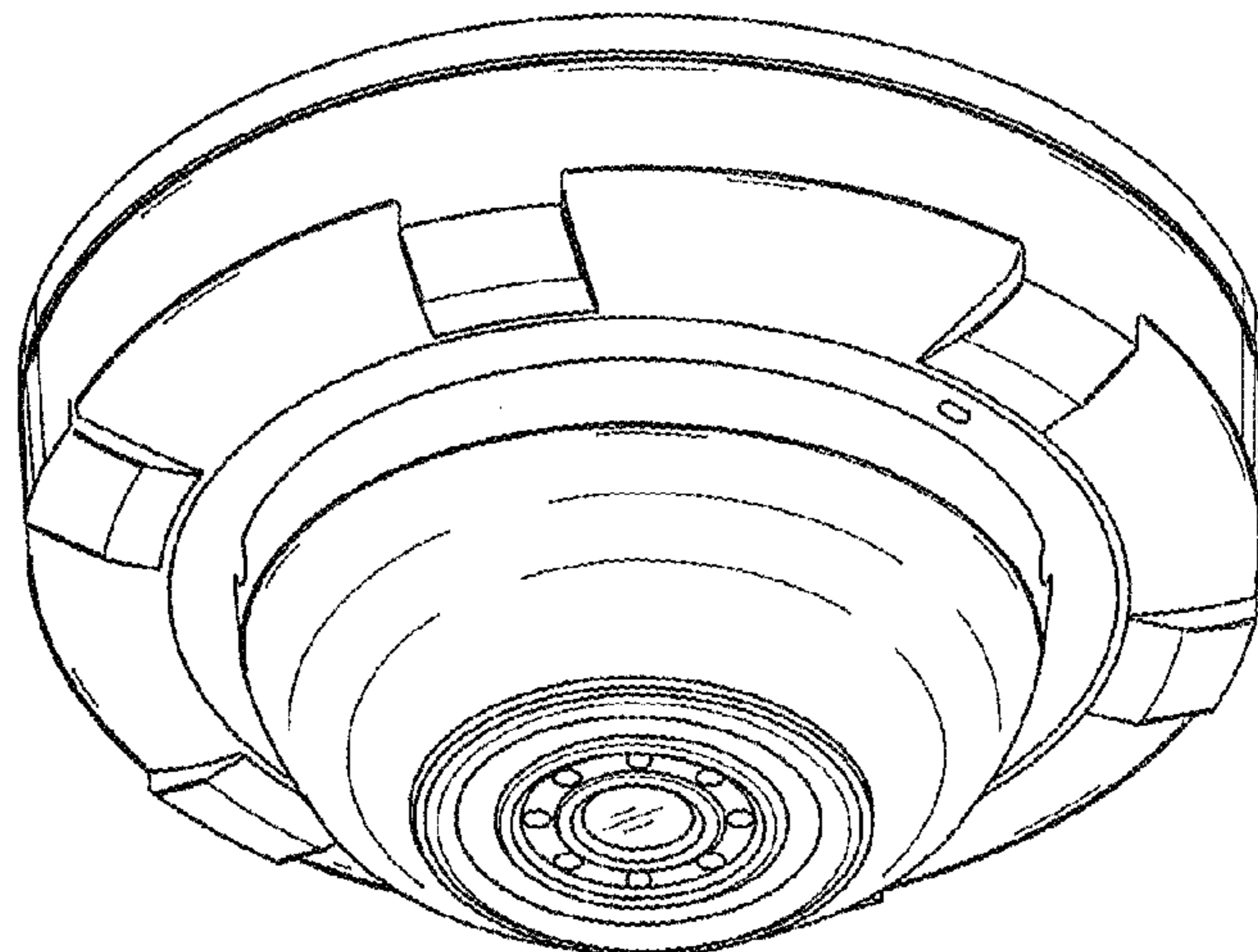
(57) **CLAIM**

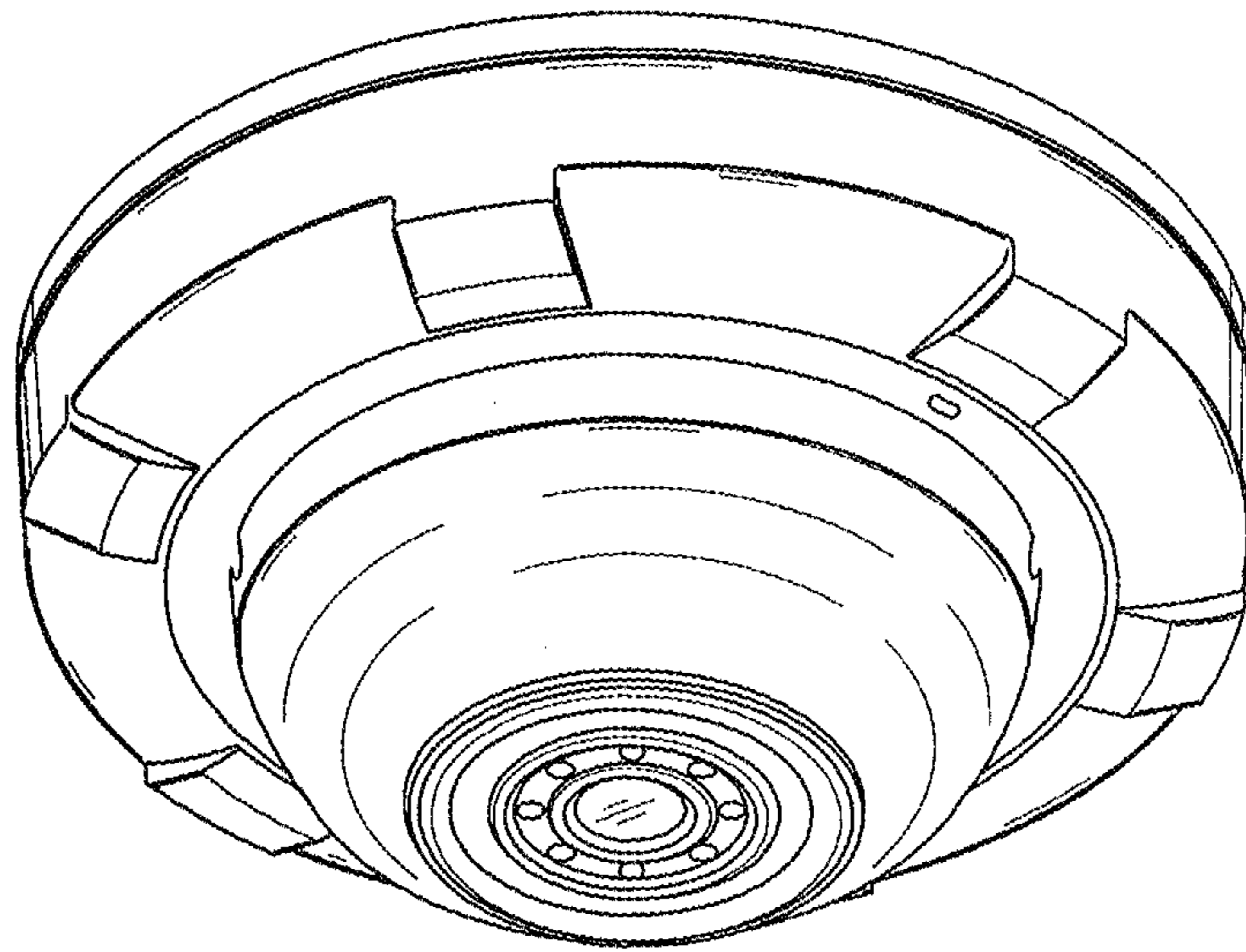
The ornamental design for a mechanical heat detector, as shown and described.

**DESCRIPTION**

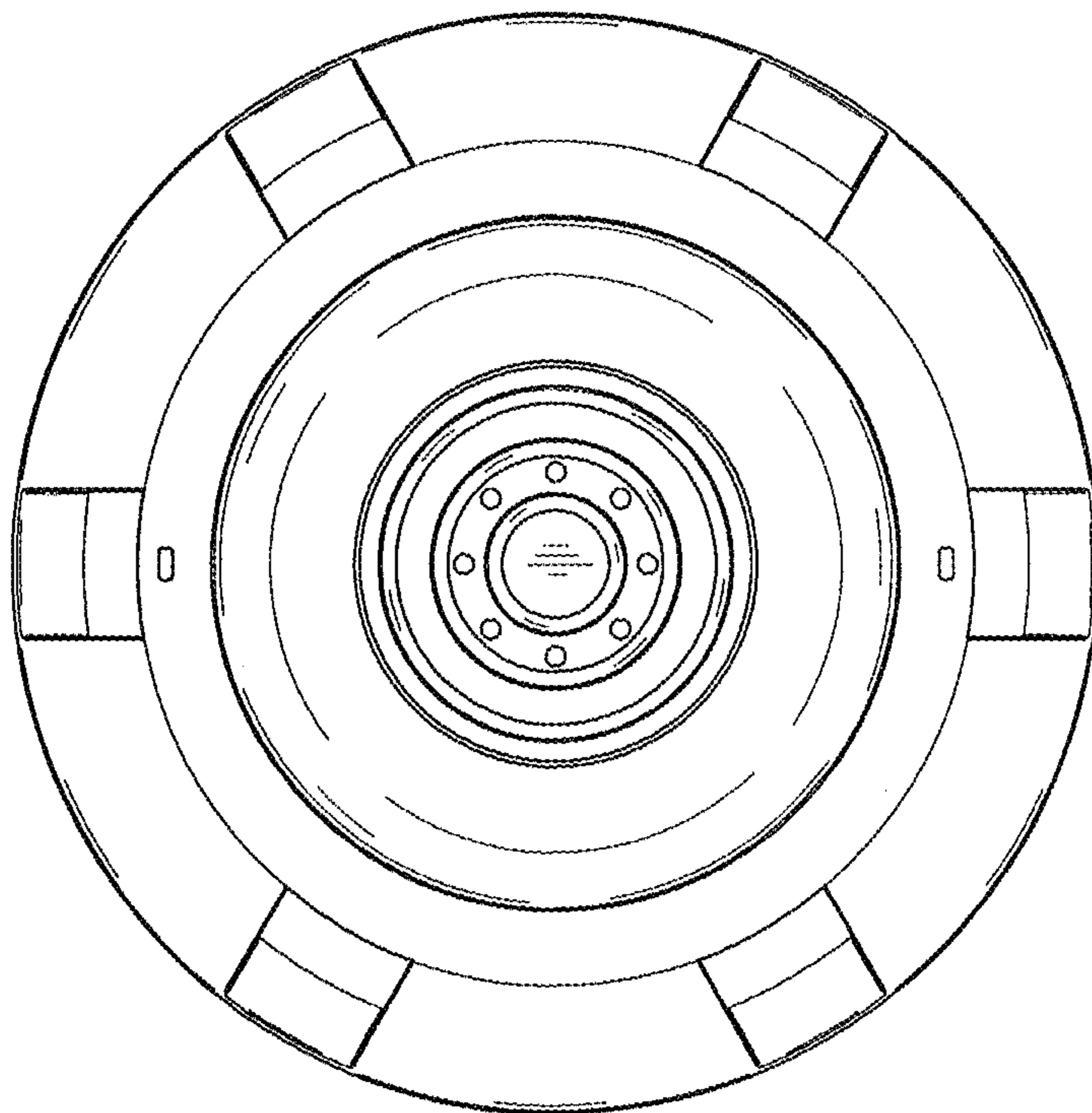
FIG. 1 is a perspective view of the mechanical heat detector. FIG. 2 is a front elevation view thereof. FIG. 3 is a first side elevation view thereof. FIG. 4 is a second side elevation view thereof. FIG. 5 is a top plan view thereof; and, FIG. 6 is a bottom plan view thereof. The rear view of the mechanical heat detector illustrated in FIGS. 1-6 is hereby disclaimed and forms no part of the claimed design.

**1 Claim, 4 Drawing Sheets**

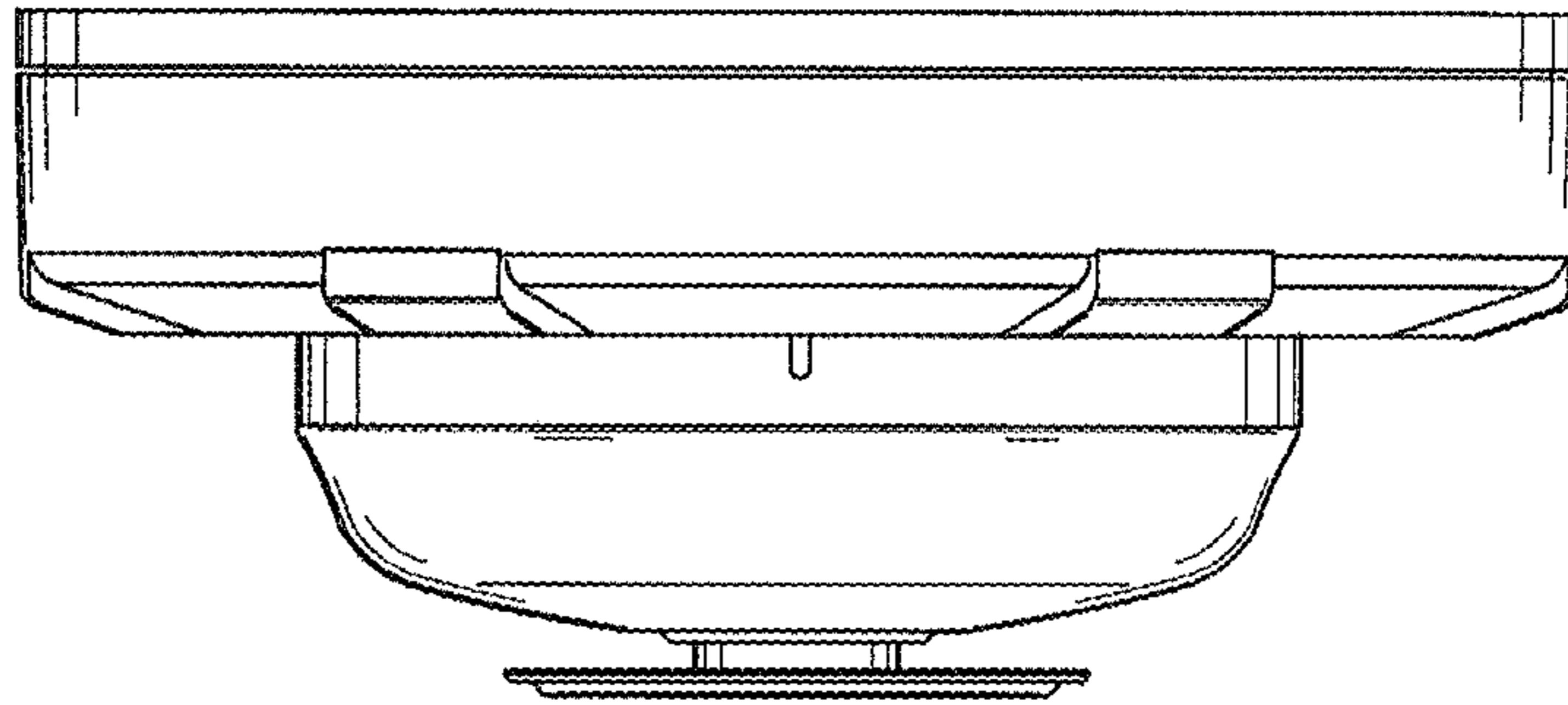




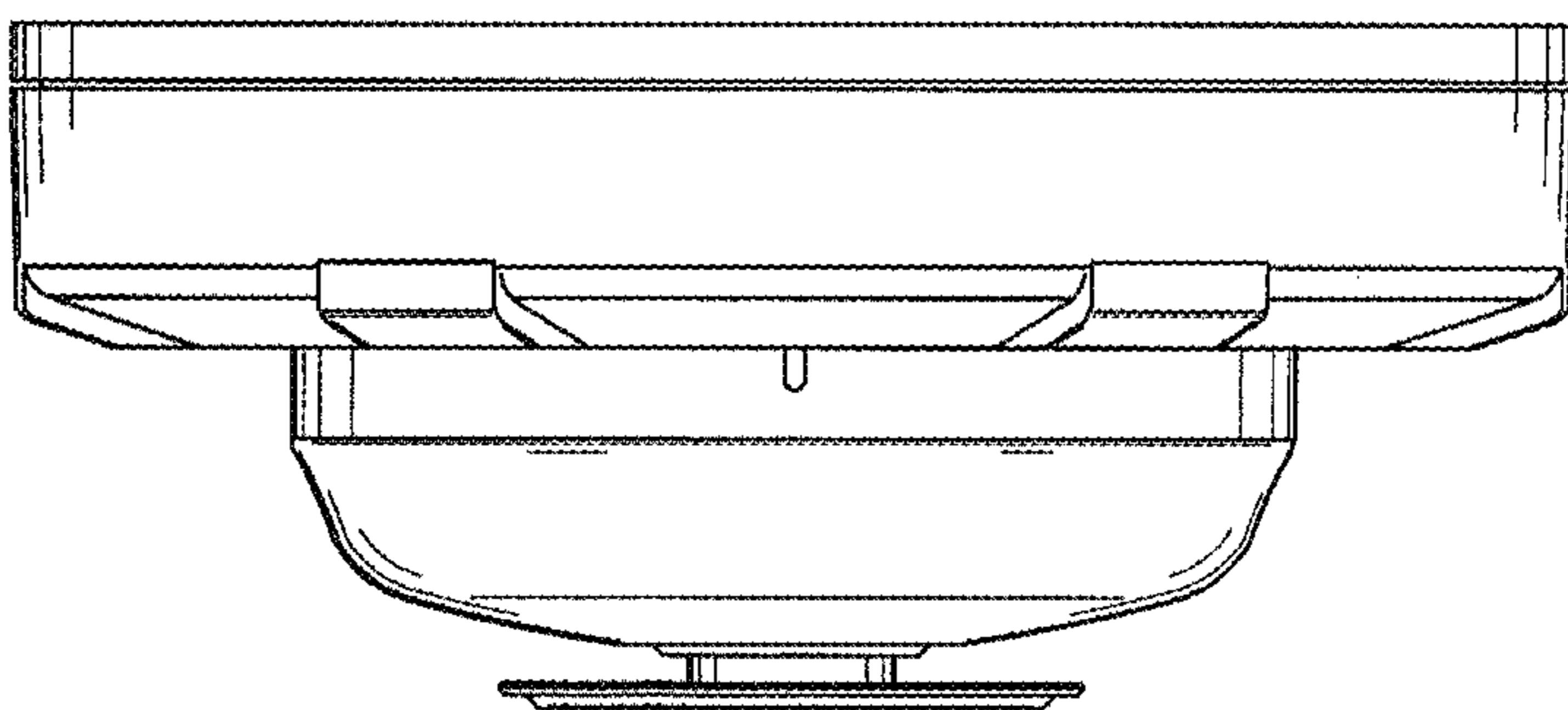
*FIG. 1*



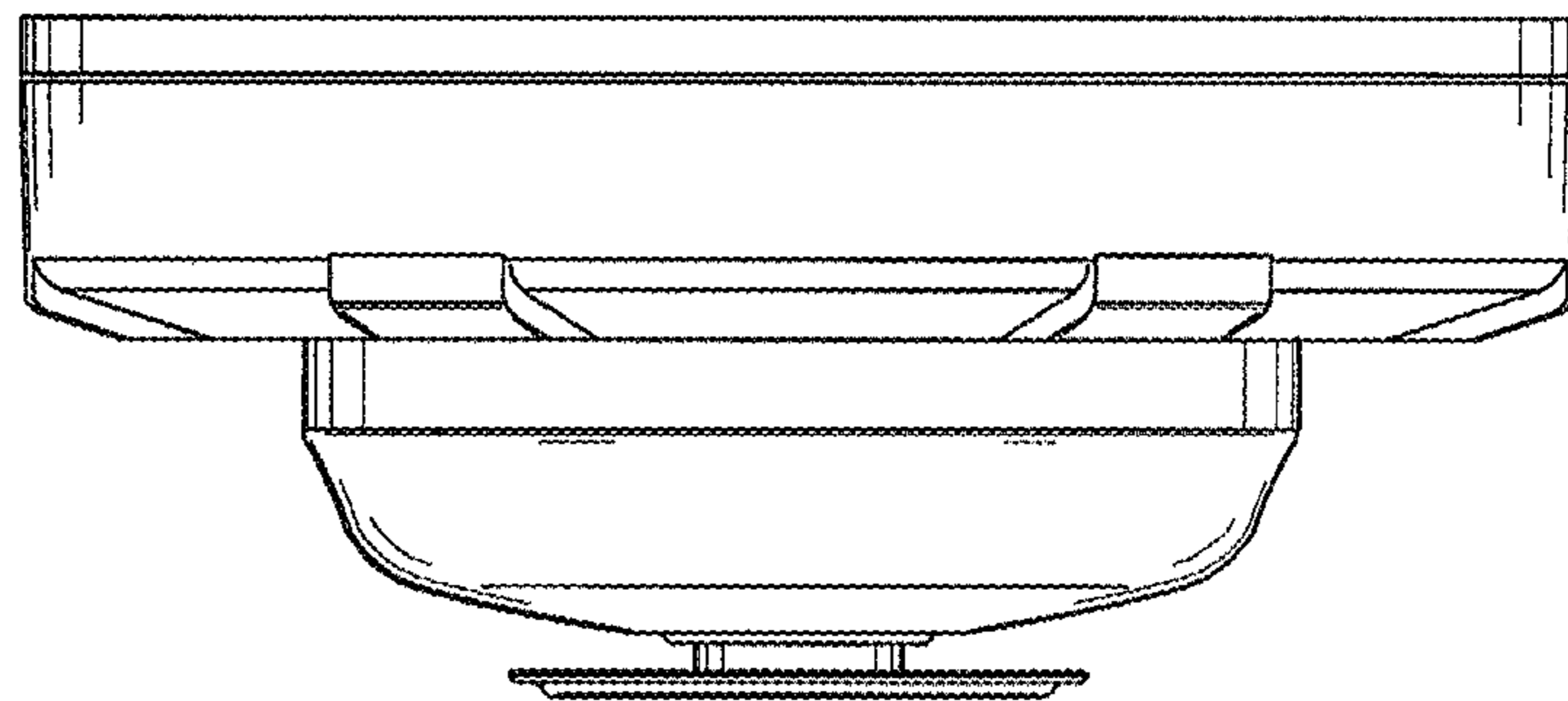
*FIG. 2*



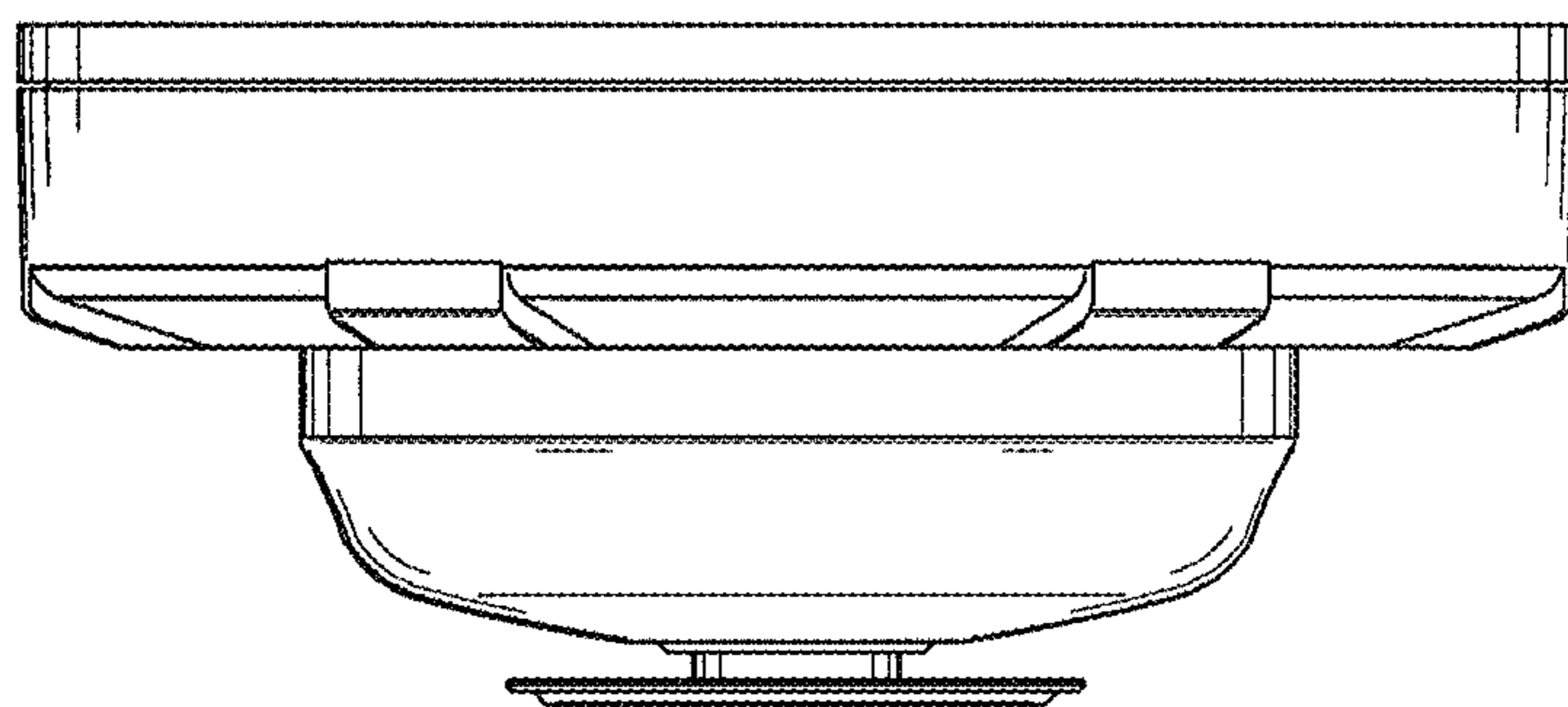
*FIG. 3*



*FIG. 4*



*FIG. 5*



*FIG. 6*