



US00D773330S

(12) **United States Design Patent**
Dietz et al.

(10) **Patent No.:** **US D773,330 S**
(45) **Date of Patent:** **** Dec. 6, 2016**

(54) **SENSOR HOUSING**

(71) Applicant: **Novi Security, Inc.**, Orem, UT (US)

(72) Inventors: **Phil Dietz**, South Jordan, UT (US);
Matthew Henningson, South Jordan,
UT (US); **Ethan Grabau**, South Jordan,
UT (US); **Martin Johnson**, South
Jordan, UT (US)

(73) Assignee: **Novi Security, Inc.**, Orem

(**) Term: **15 Years**

(21) Appl. No.: **29/529,686**

(22) Filed: **Jun. 9, 2015**

(51) **LOC (10) Cl.** **10-05**

(52) **U.S. Cl.**
USPC **D10/106.5; D10/70; D10/106.6**

(58) **Field of Classification Search**
USPC D10/65, 70, 104.1, 106.1, 106.5, 106.6
CPC ... G01P 13/00; G01P 13/0006; G01P 13/0013;
G01P 13/002; G01P 13/0026; G01P
13/0033; G01P 13/004; G01P
13/0046; G01P 13/0053; G01P
13/006; G01P 13/0066; G01P
13/0073; G01P 13/008; G01P
13/0086; G01P 13/0093; G08B 21/00
See application file for complete search history.

(56) **References Cited**

U.S. PATENT DOCUMENTS

D317,132 S *	5/1991	Knipfer	D10/65
D340,416 S *	10/1993	Fenne	D10/106.5
D360,373 S *	7/1995	Tice	D10/106.5
D426,482 S *	6/2000	Sakurai	D10/106.5
D675,948 S *	2/2013	Kawaguchi	D10/106.5
D700,095 S *	2/2014	Dohi	D10/106.5
9,009,805 B1	4/2015	Kirkby et al.		
9,064,394 B1	6/2015	Trundle		

9,082,018 B1 7/2015 Laska et al.
9,158,974 B1 10/2015 Laska et al.
9,170,707 B1 10/2015 Laska et al.

(Continued)

OTHER PUBLICATIONS

Genetec, "Unified Alarm Management: Centralize alarm management across all of your sites and security applications," 2014 (2 pages).

(Continued)

Primary Examiner — Antoine D Davis

(74) *Attorney, Agent, or Firm* — Patent Law Works LLP

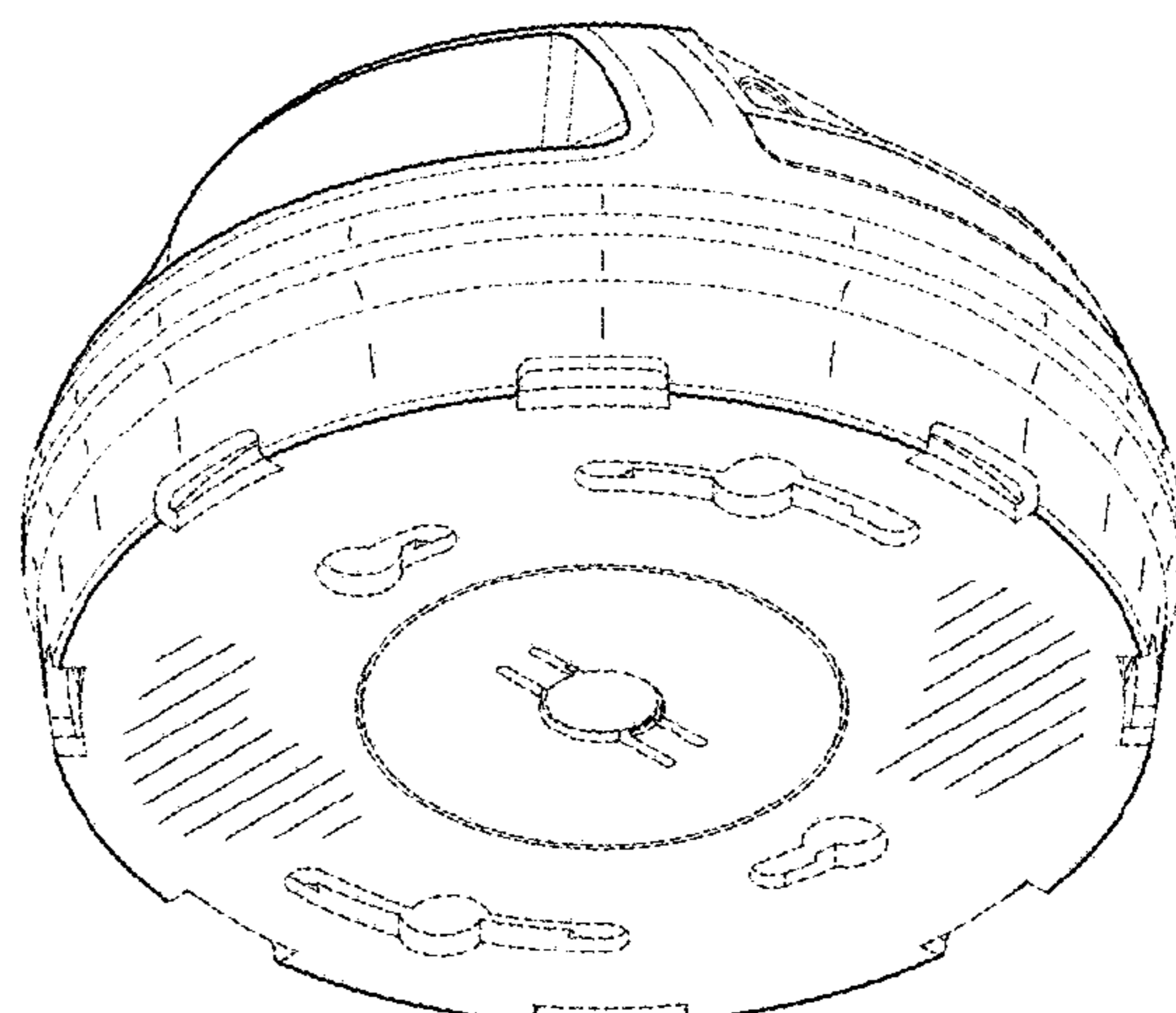
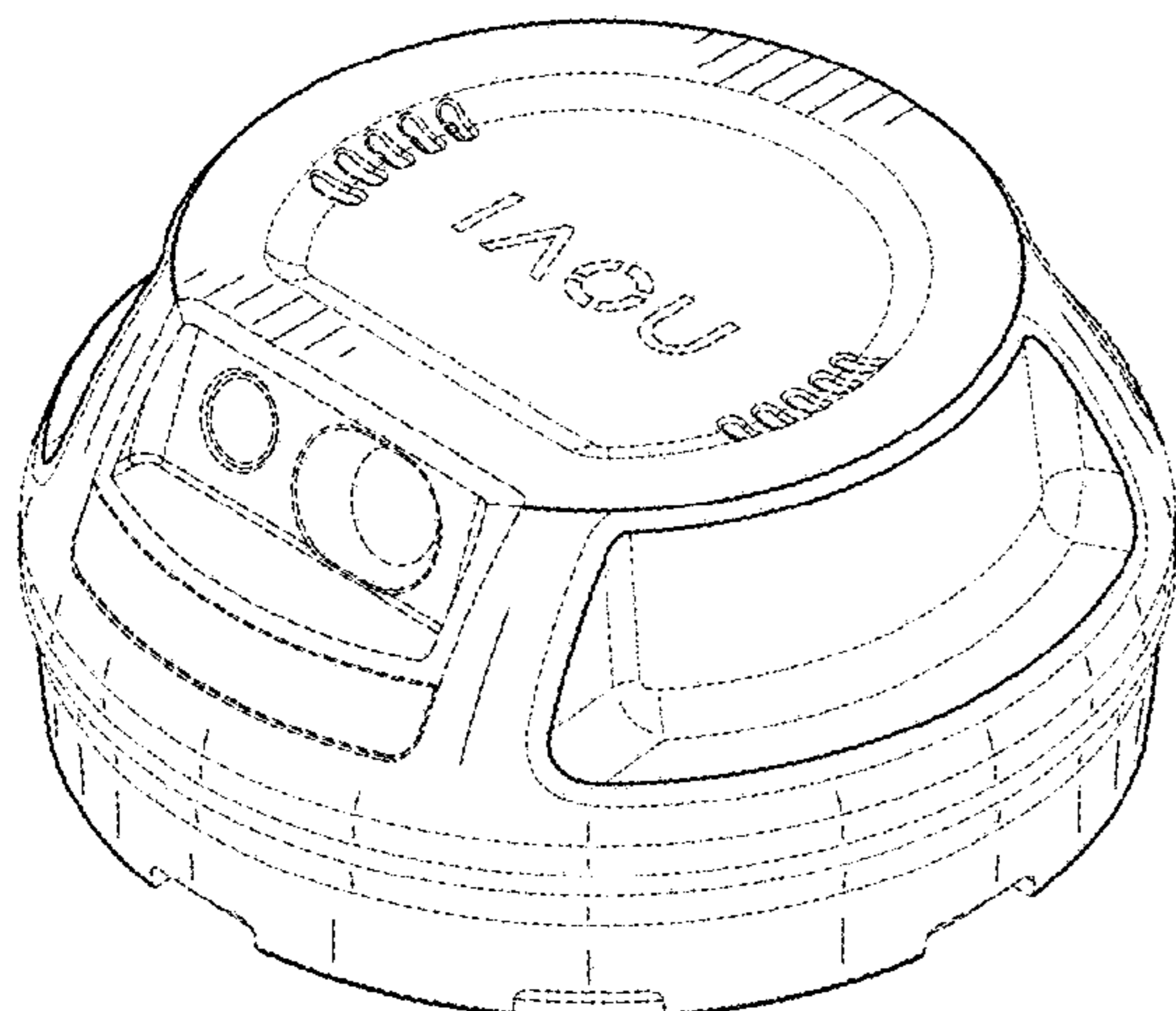
(57) **CLAIM**

The ornamental design for a sensor housing, as shown and described.

DESCRIPTION

FIG. 1 is a top perspective view of a sensor housing showing the new design.
FIG. 2 is a bottom perspective view of the sensor housing showing the new design.
FIG. 3 is a top down view of the sensor housing showing the new design.
FIG. 4 is a bottom up view of the sensor housing showing the new design.
FIG. 5 is a right side view of the sensor housing showing the new design.
FIG. 6 is a left side view of the sensor housing showing the new design.
FIG. 7 is a front view of the sensor housing showing the new design; and,
FIG. 8 is a back view of the sensor housing showing the new design.
Within the drawings, the dashed lines and the areas within the dashed lines show unclaimed portions of the sensor housing, and form no part of the claimed design.

1 Claim, 4 Drawing Sheets



(56)

References Cited

U.S. PATENT DOCUMENTS

9,213,903 B1 12/2015 Laska et al.
9,224,044 B1 12/2015 Laska et al.
2016/0004390 A1 1/2016 Laska et al.
2016/0005280 A1 1/2016 Laska et al.
2016/0005281 A1 1/2016 Laska et al.

OTHER PUBLICATIONS

Sandboxhome, "Redefining Home Security for families worldwide!: Extensive features. Stylish. Affordable." Jan. 3, 2016 downloaded from www.mysandboxhome.com/index.html (9 pages).

Indiegogo, "SandboxHome: Redefining Home Security for families worldwide!: The Most Advanced and Complete Security Product—Designed Specifically for Families!" Jan. 9, 2016 (25 pages).

* cited by examiner

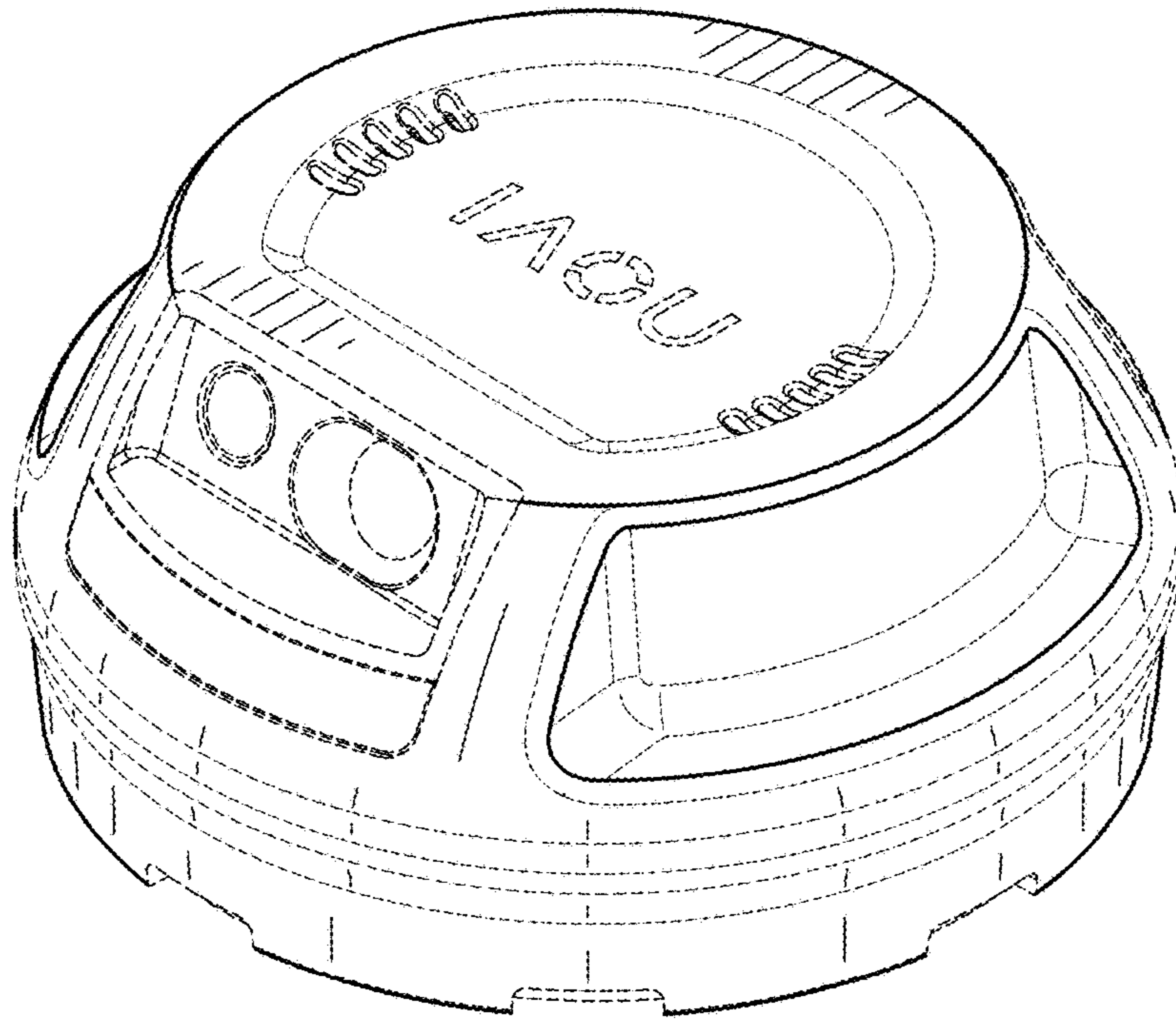


FIG. 1

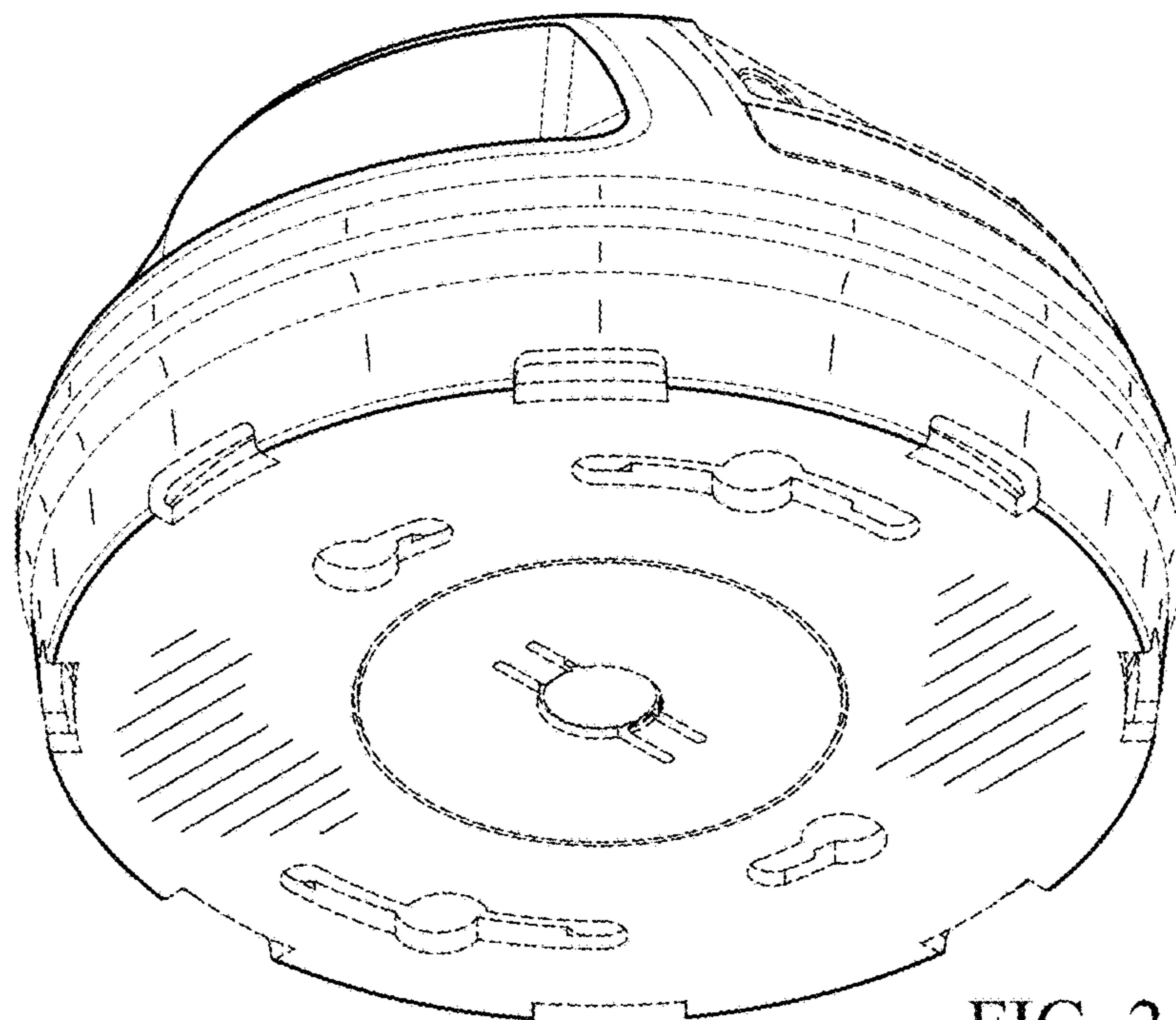


FIG. 2

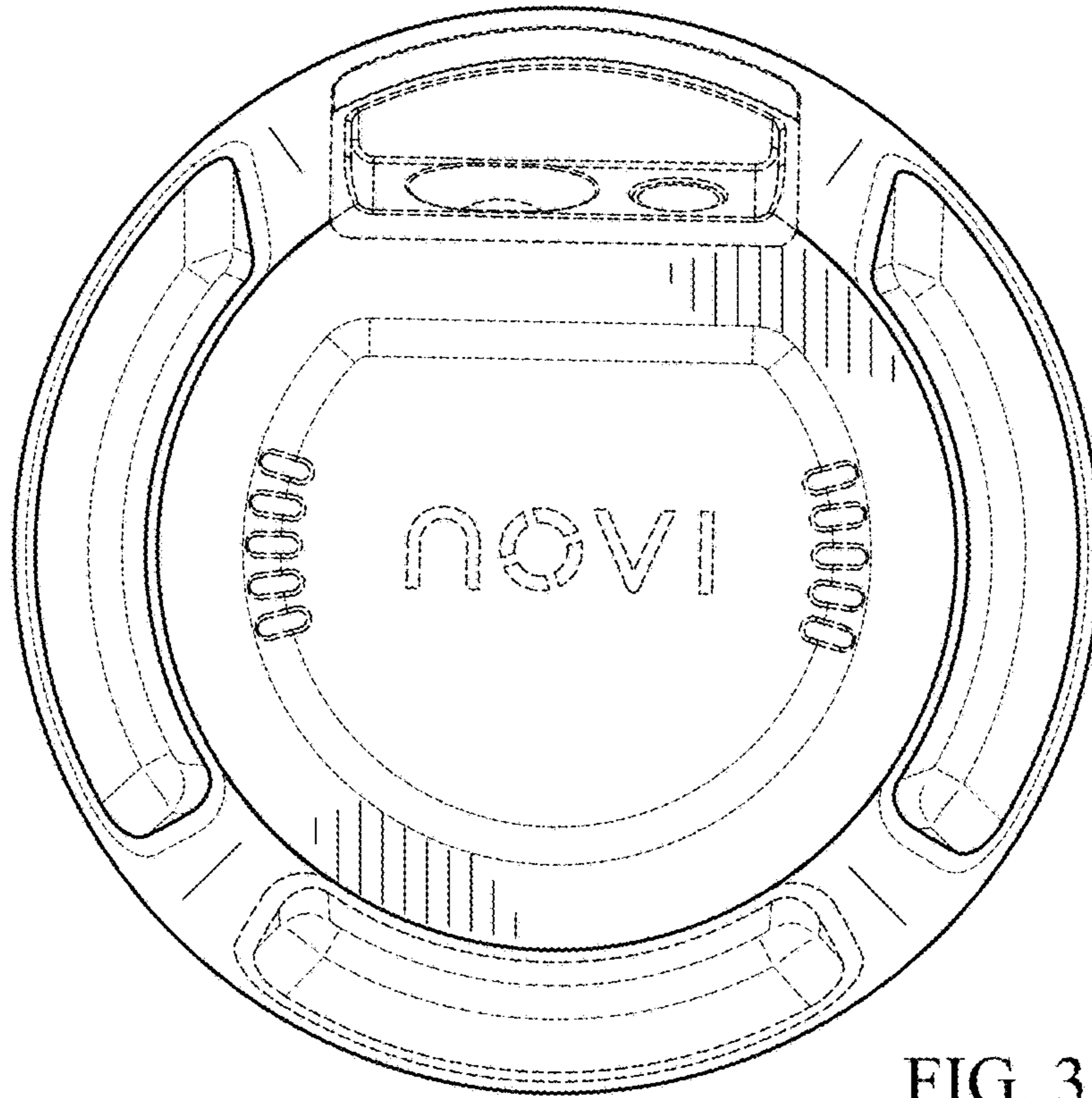


FIG. 3

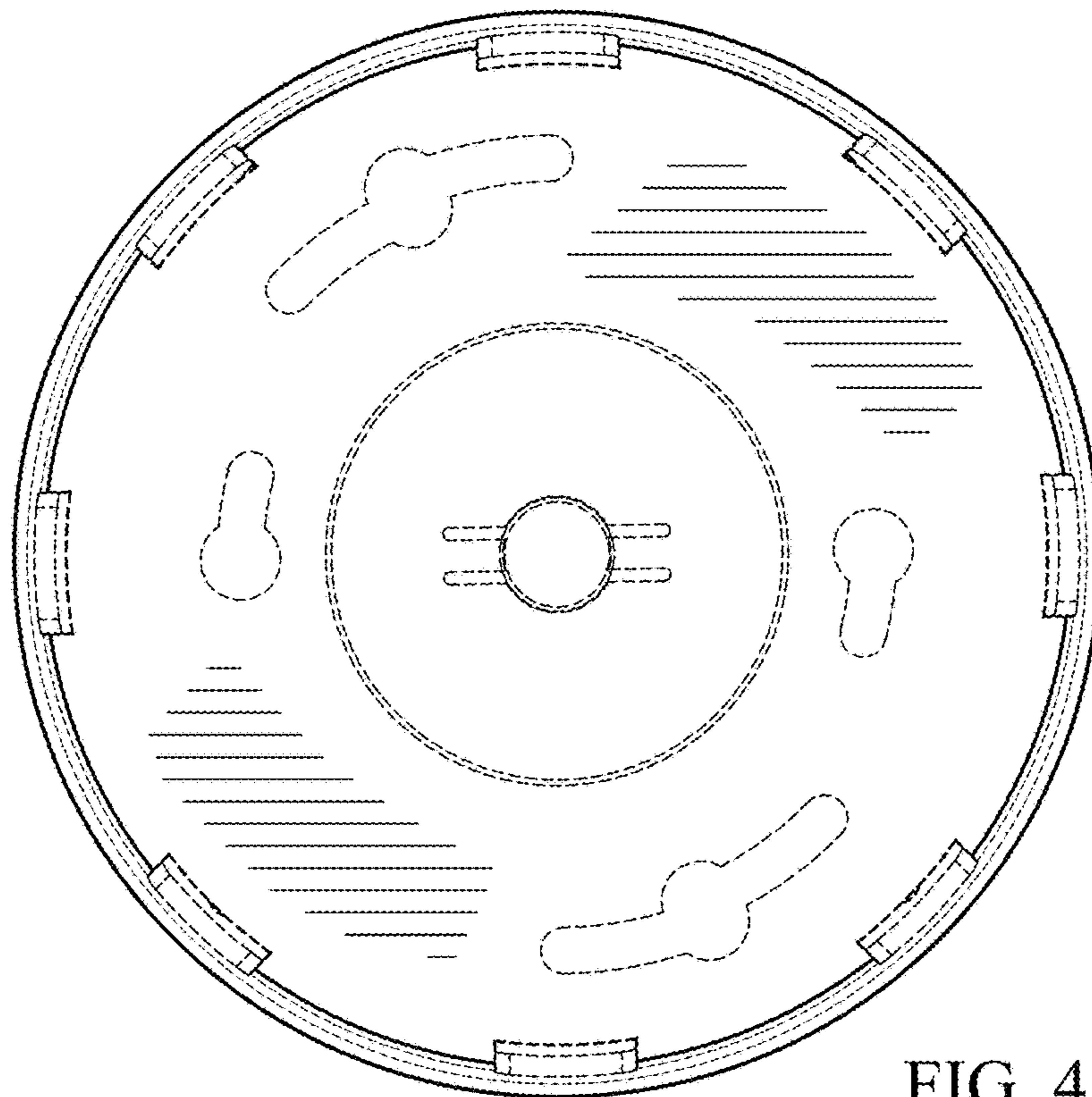


FIG. 4

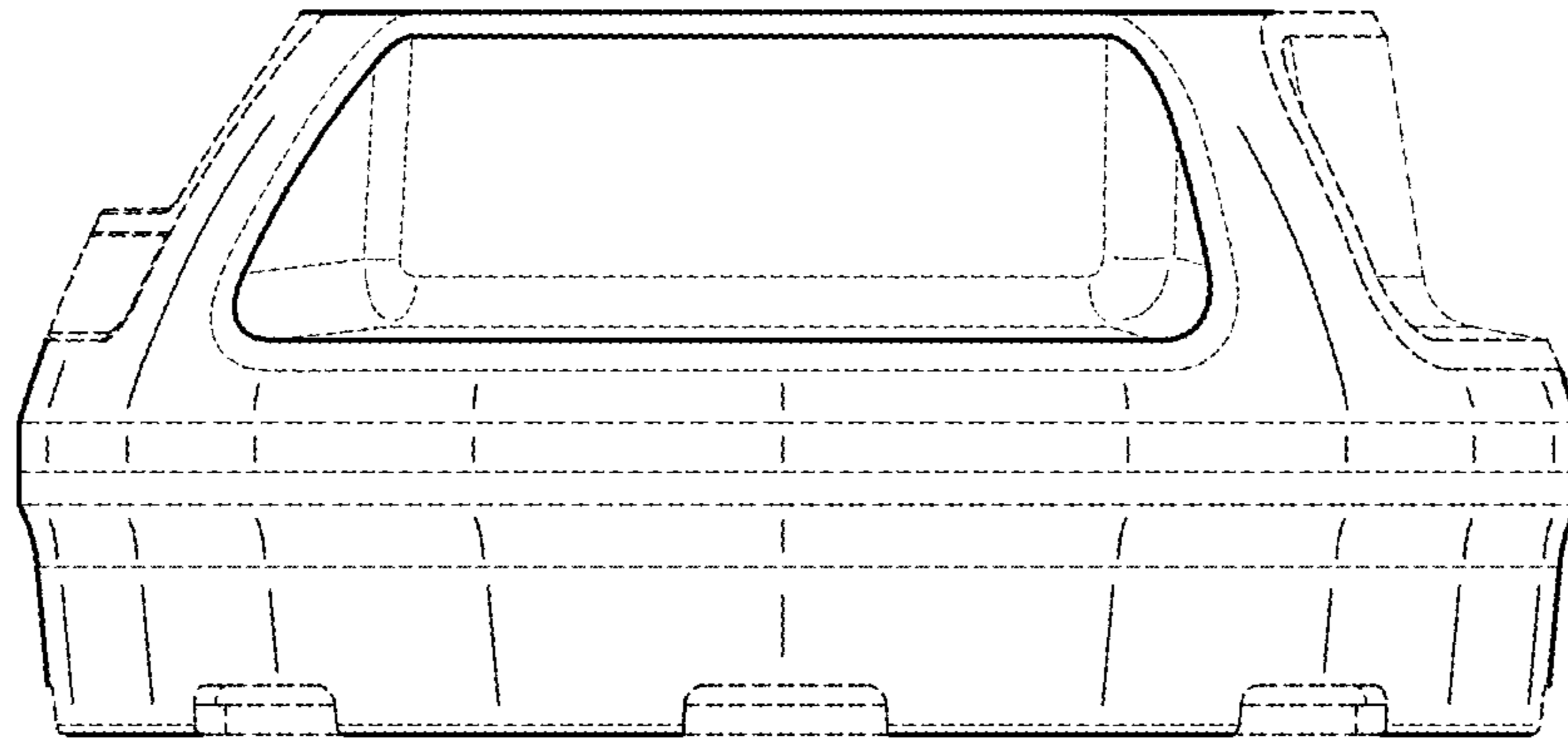


FIG. 5

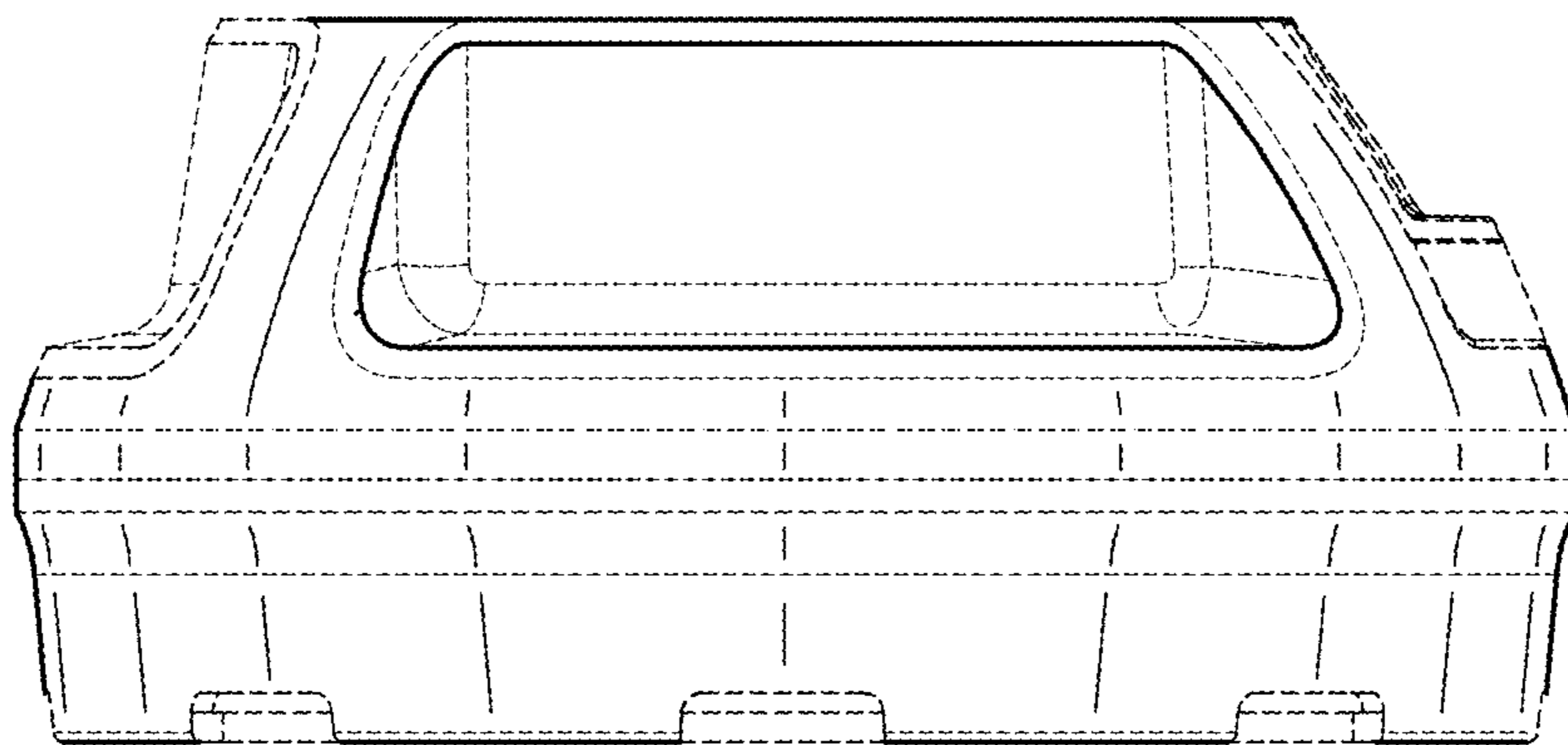


FIG. 6

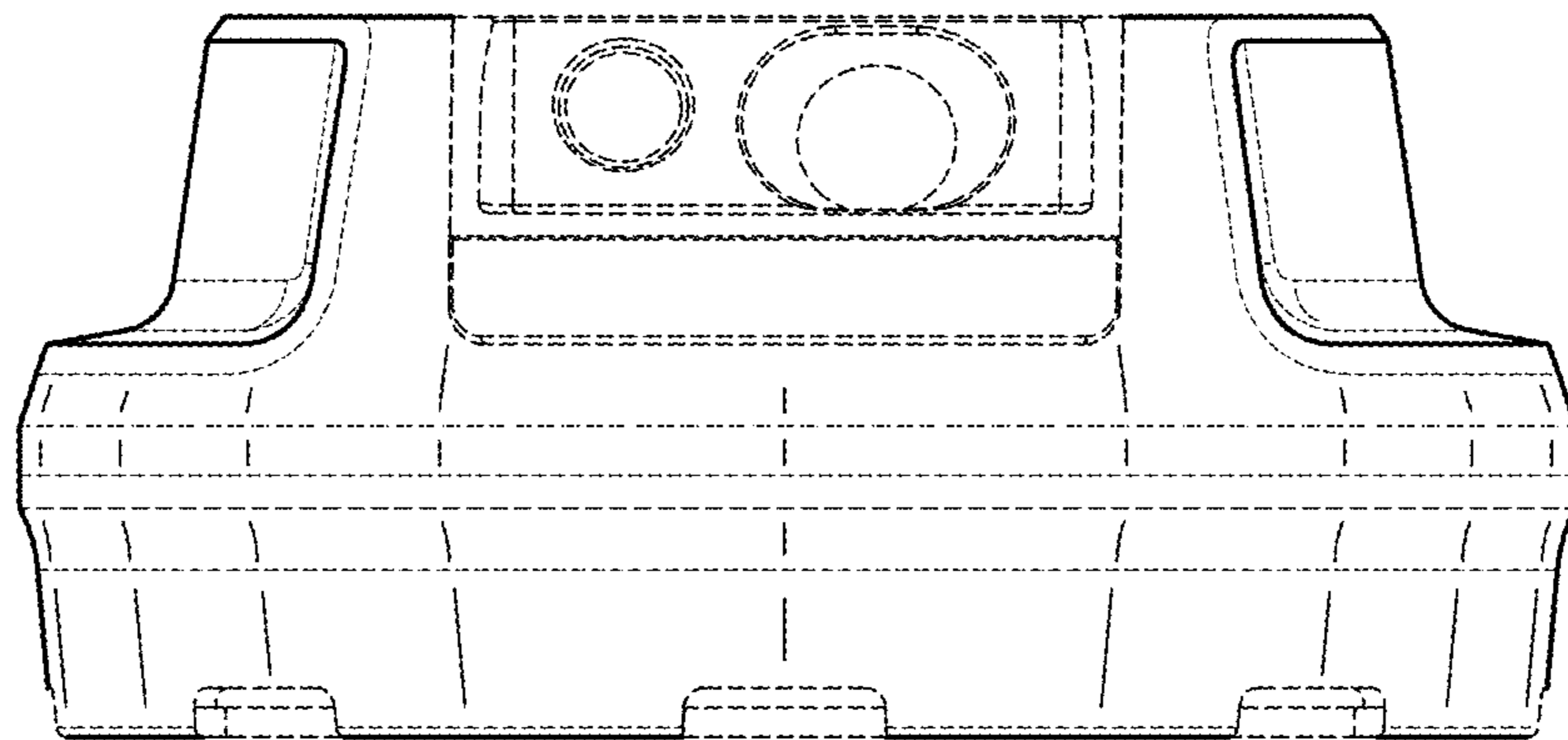


FIG. 7

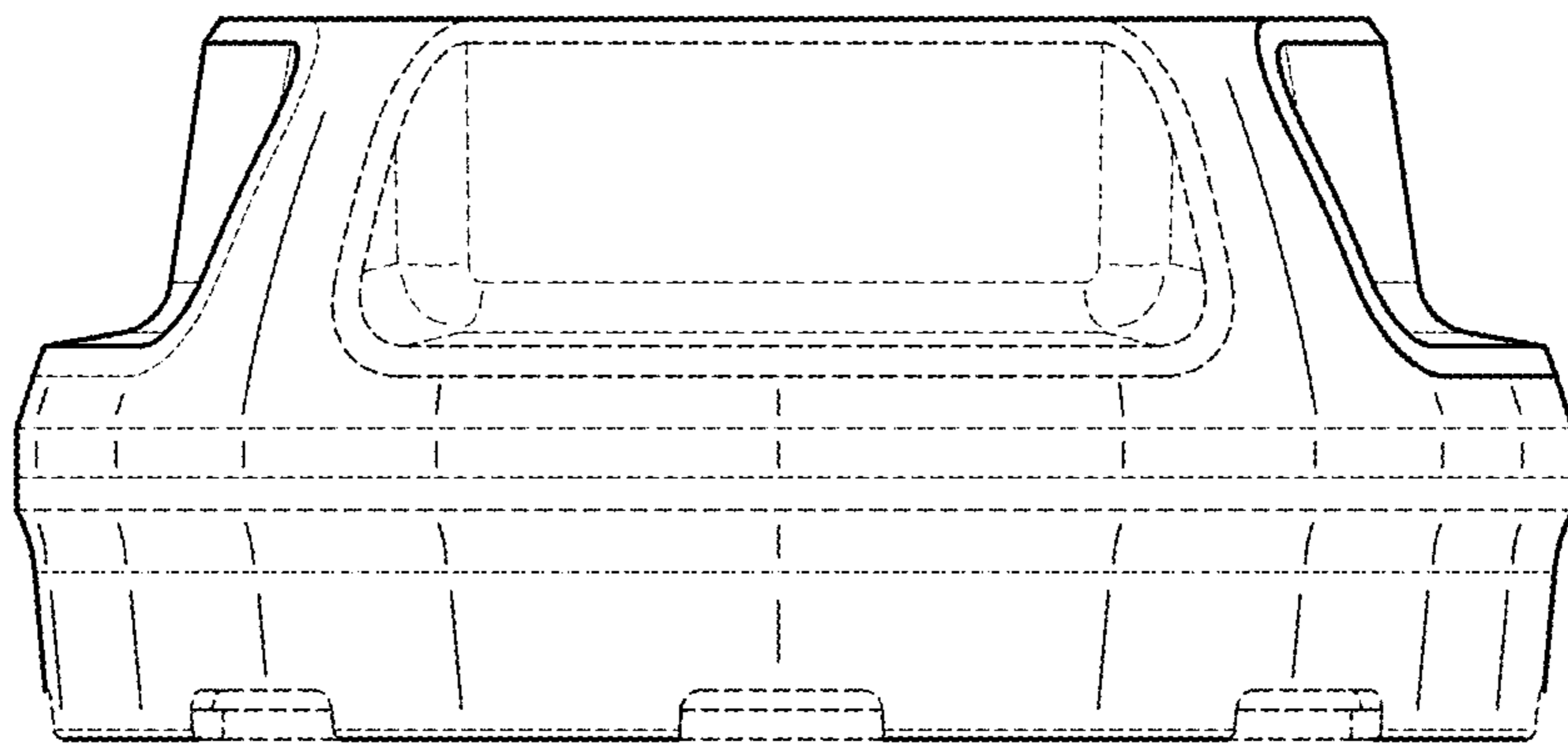


FIG. 8