



US00D773329S

(12) **United States Design Patent** (10) **Patent No.:** **US D773,329 S**  
**Olodort et al.** (45) **Date of Patent:** **\*\* Dec. 6, 2016**

(54) **VIBRATORY ALERT DEVICE**  
(71) Applicant: **Simple Matters LLC**, Santa Monica, CA (US)  
(72) Inventors: **Robert Olodort**, Santa Monica, CA (US); **Fred Bould**, Menlo Park, CA (US); **Winslow Harte**, San Carlos, CA (US); **Arturo Meuniot**, San Francisco, CA (US)  
(73) Assignee: **Simple Matters LLC**, Santa Monica, CA (US)  
(\*\*) Term: **14 Years**  
(21) Appl. No.: **29/507,397**  
(22) Filed: **Oct. 27, 2014**  
(51) **LOC (10) Cl.** ..... **10-05**  
(52) **U.S. Cl.**  
USPC ..... **D10/104.1**  
(58) **Field of Classification Search**  
USPC ..... D10/104.1, 104.2  
CPC ..... H04B 1/0343; G08B 25/016; G08B 21/02; G08B 21/0216; G08B 7/06; A61H 31/005  
See application file for complete search history.

D519,869 S \* 5/2006 Sasaki ..... D10/106.1  
D688,965 S \* 9/2013 Hutchins ..... D10/104.1  
D711,758 S \* 8/2014 Heath ..... D10/104.1

\* cited by examiner

*Primary Examiner* — George D Kirschbaum  
(74) *Attorney, Agent, or Firm* — Blakely, Sokoloff, Taylor & Zafman LLP

(57) **CLAIM**

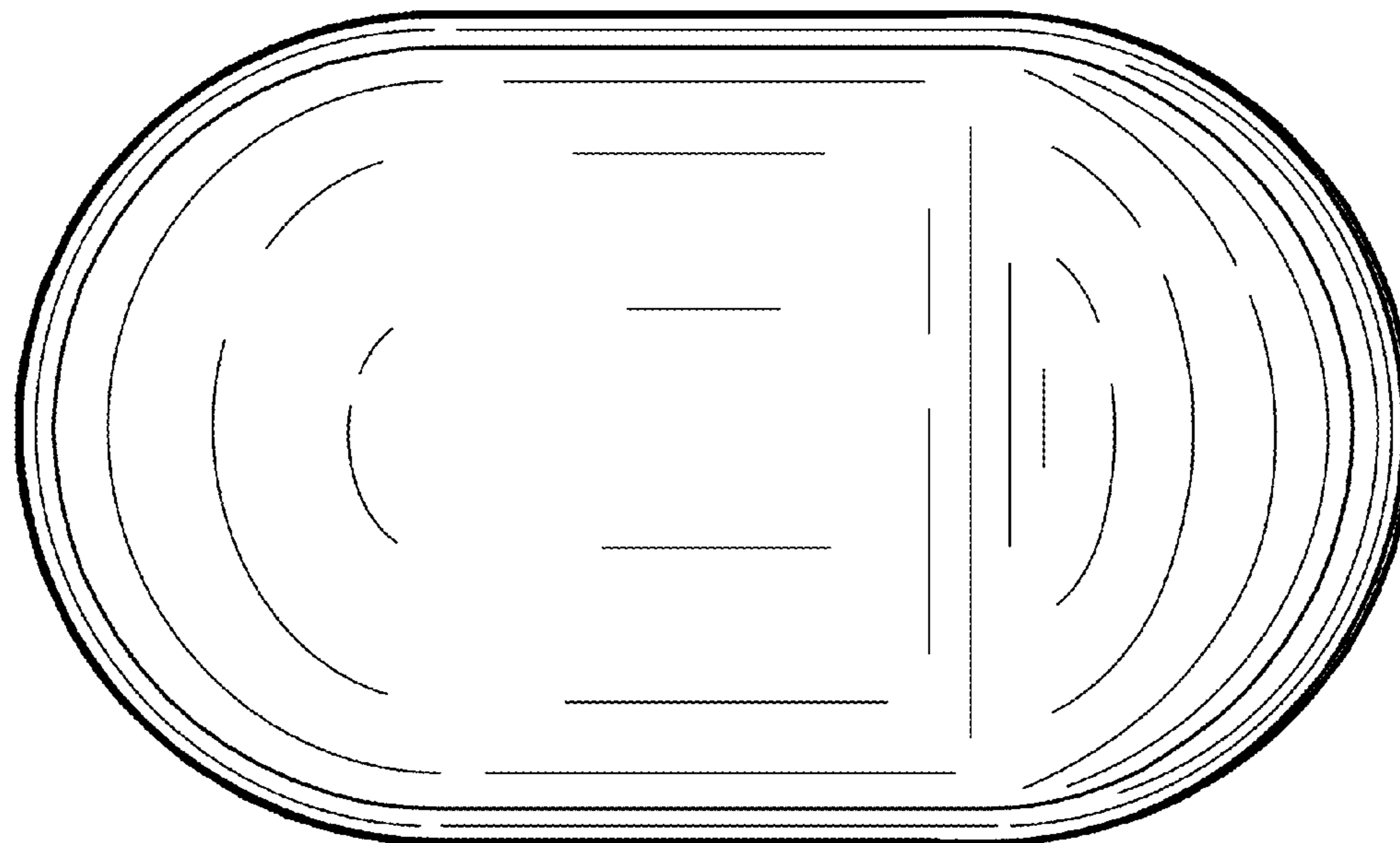
The ornamental design for a vibratory alert device, as shown and described.

**DESCRIPTION**

FIG. 1 is a top view of a first embodiment of a vibratory alert device, which includes a vibrator and a wireless transceiver. FIG. 2 is a bottom view of the first embodiment of the device of FIG. 1. FIG. 3 is a right side view of the first embodiment of the device of FIG. 1. FIG. 4 is a left side view of the first embodiment of the device. FIG. 5 is a front view of the first embodiment of the device. FIG. 6 is a back view of the first embodiment of the device of FIG. 1. FIG. 7 is a front perspective view of the first embodiment of the device. FIG. 8 is a back perspective view of the first embodiment of the device; and, FIG. 9 is a top view of the first embodiment of the device attached to a strap which can be worn around a wrist; and, FIG. 10 is a perspective view of the first embodiment and strap of FIG. 9.

**1 Claim, 10 Drawing Sheets**

(56) **References Cited**  
U.S. PATENT DOCUMENTS  
4,491,970 A \* 1/1985 LaWhite ..... H04B 1/0343  
455/100  
D409,510 S \* 5/1999 McDonald ..... D10/104.1  
5,923,255 A \* 7/1999 Vahdatshoar ..... G08B 21/0216  
340/573.1



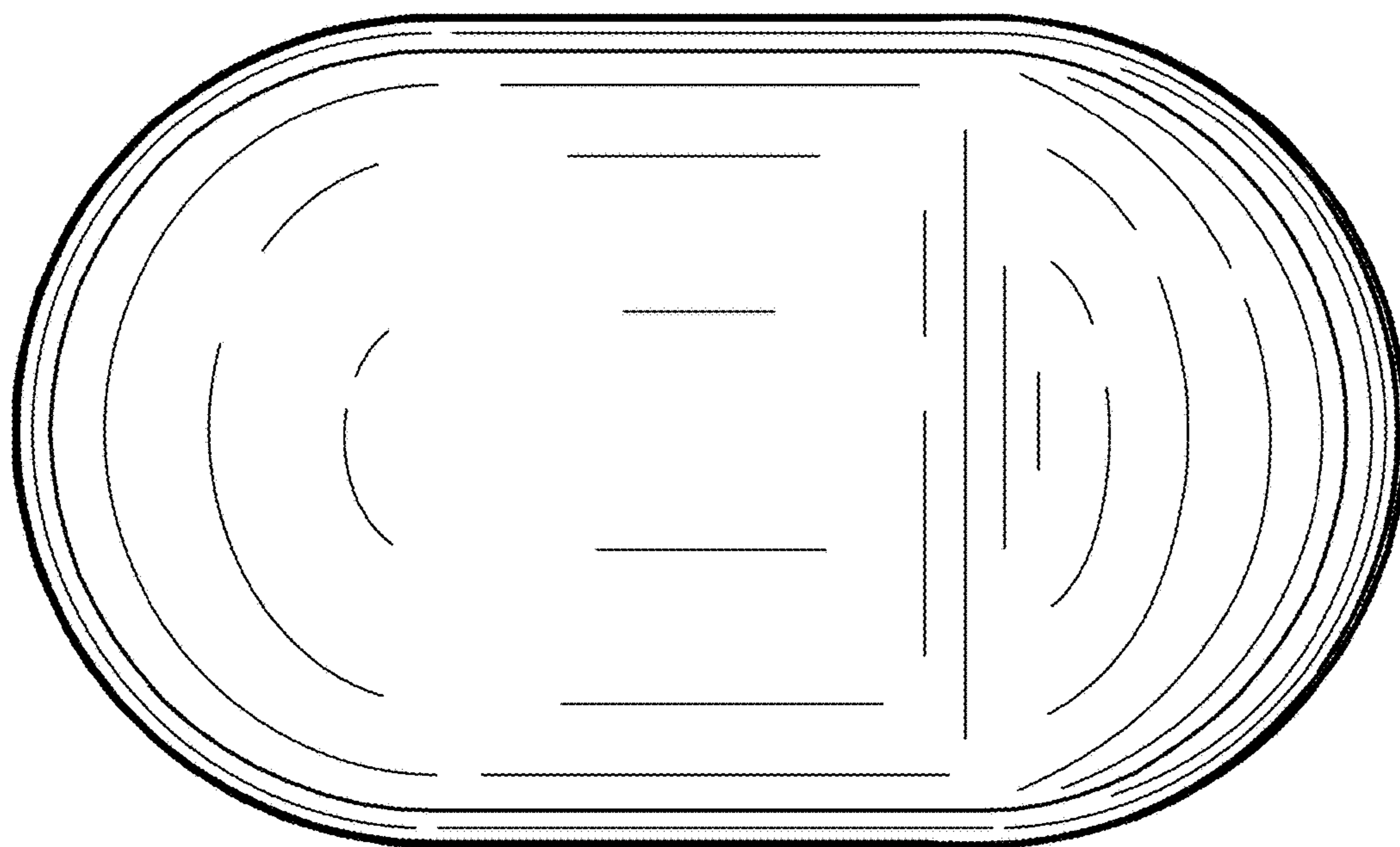


FIG. 1

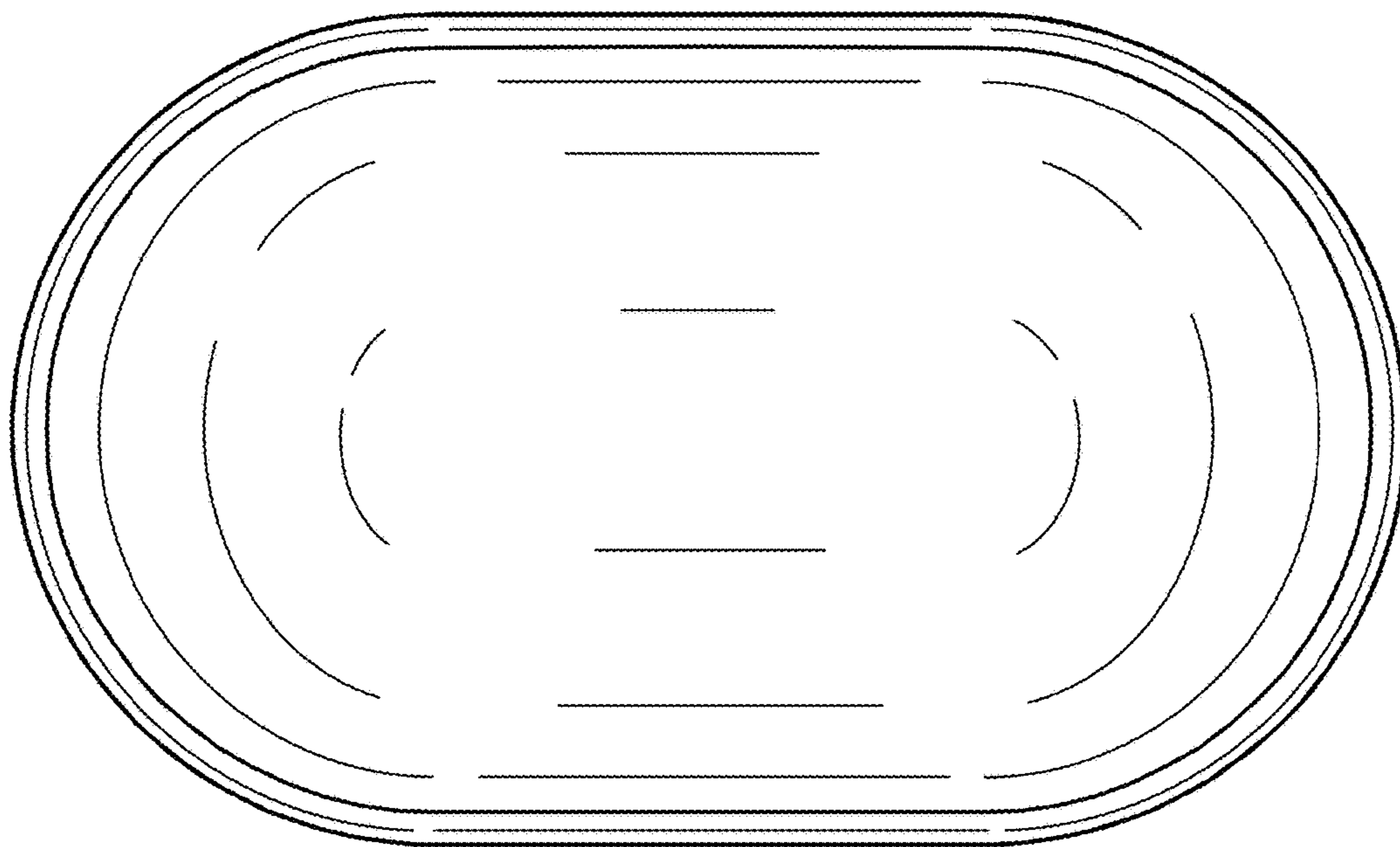


FIG. 2

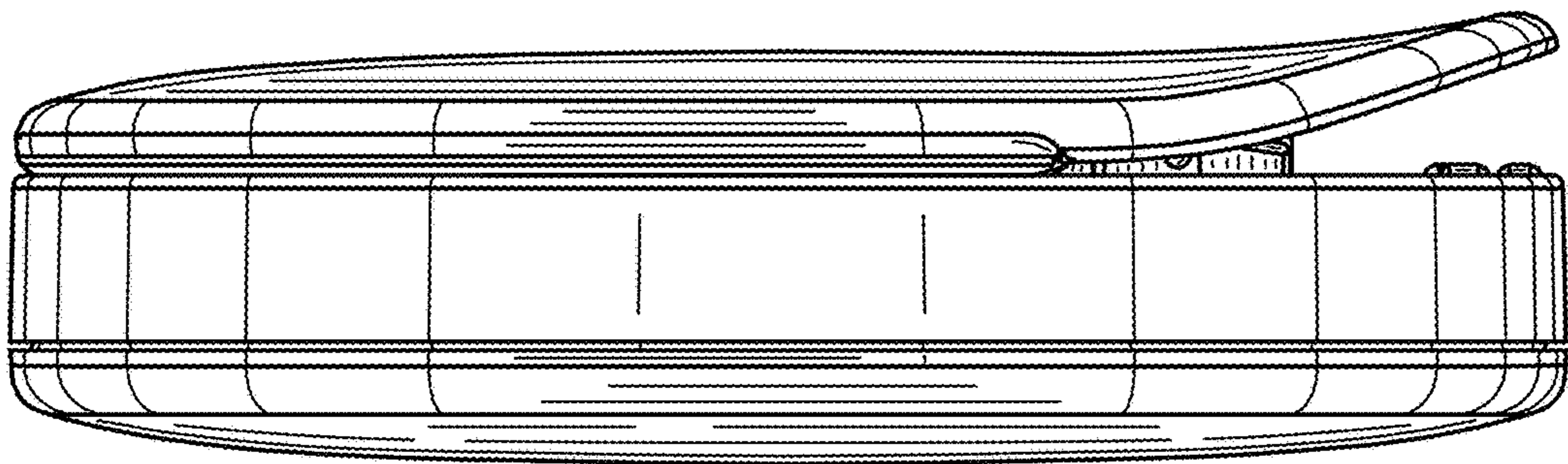


FIG. 3

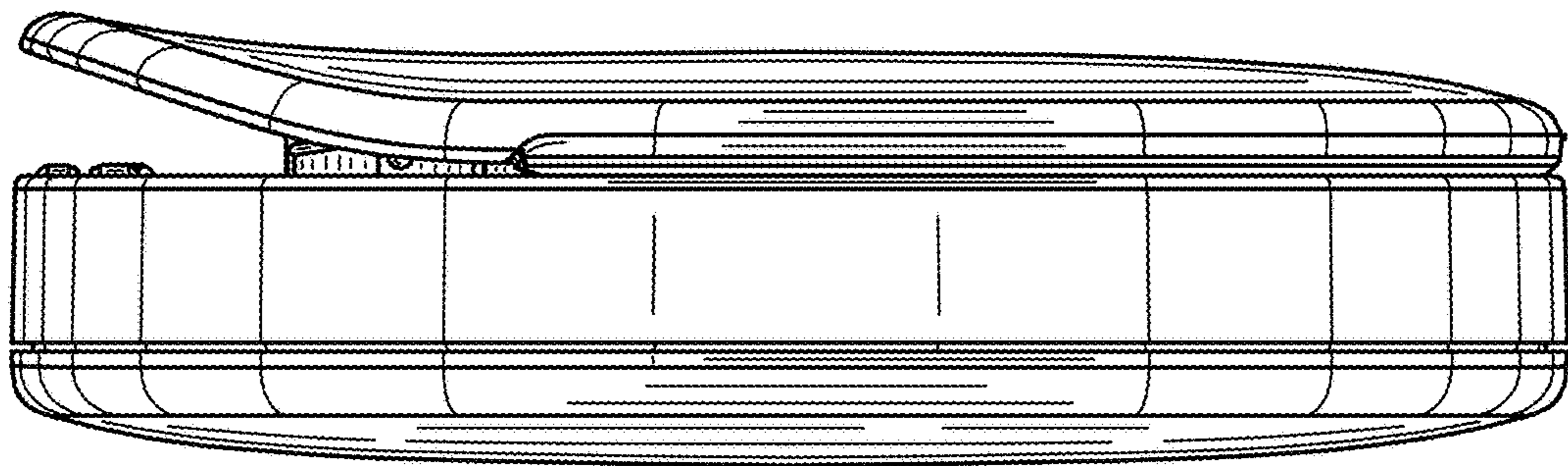


FIG. 4

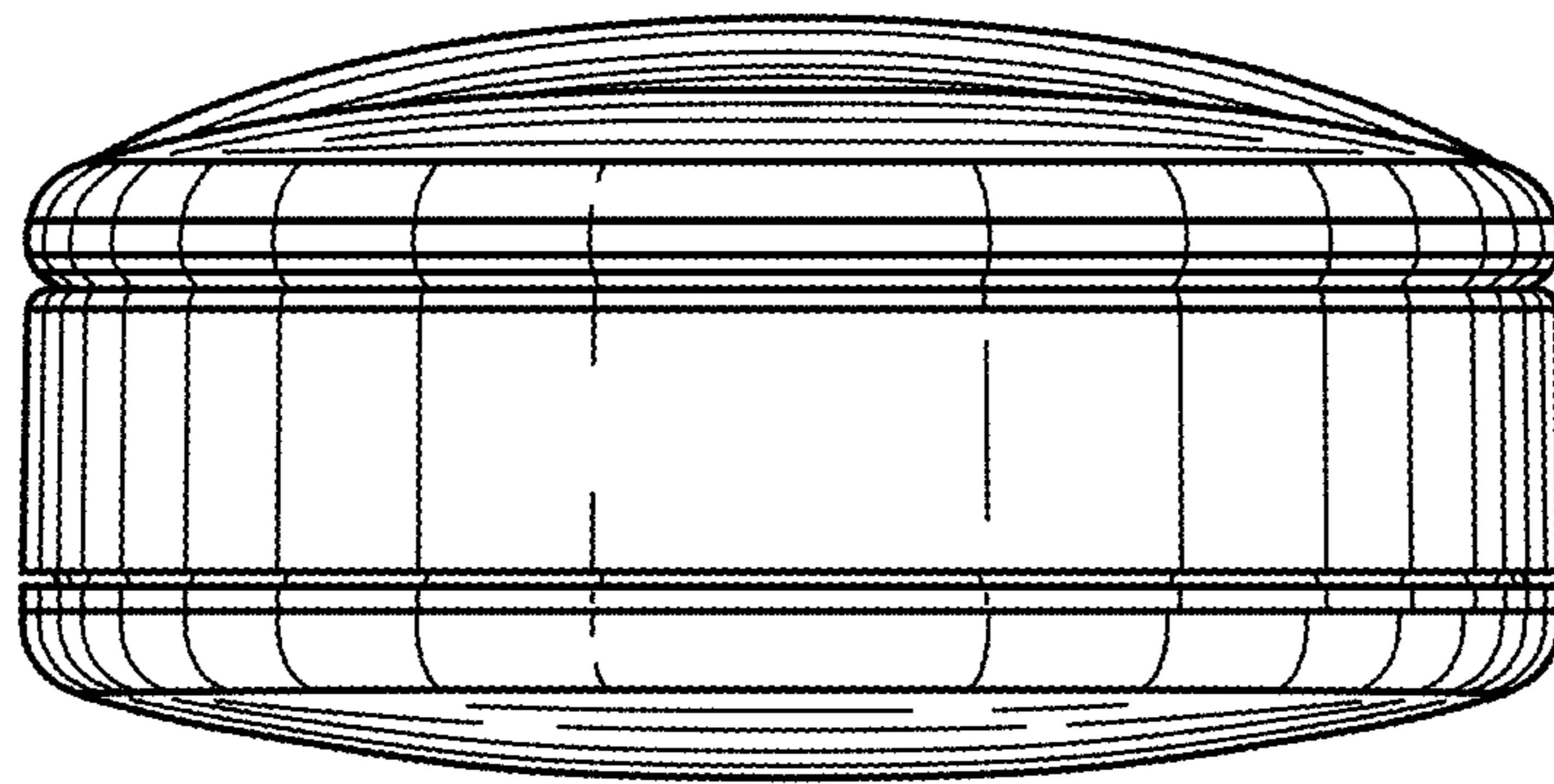


FIG. 5

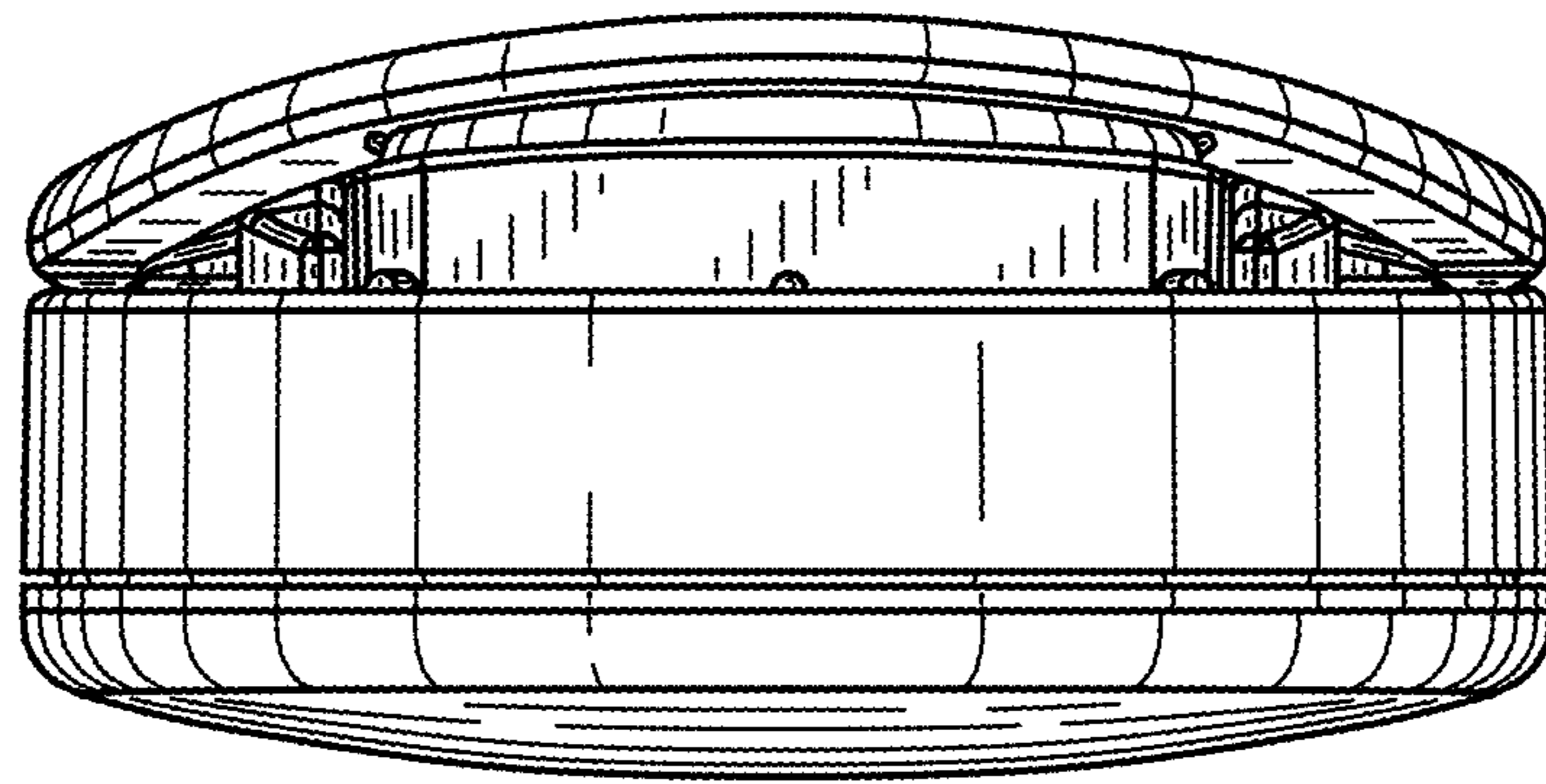


FIG. 6

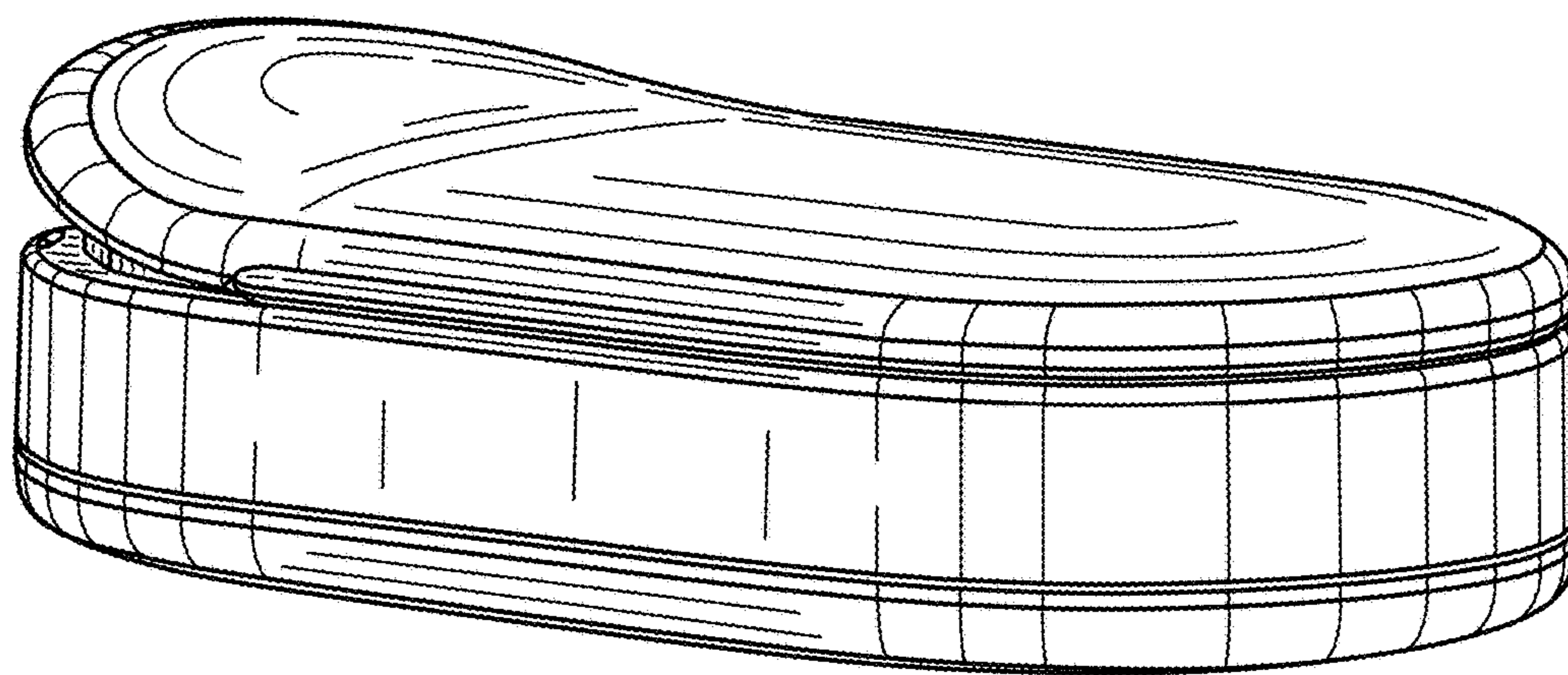


FIG. 7



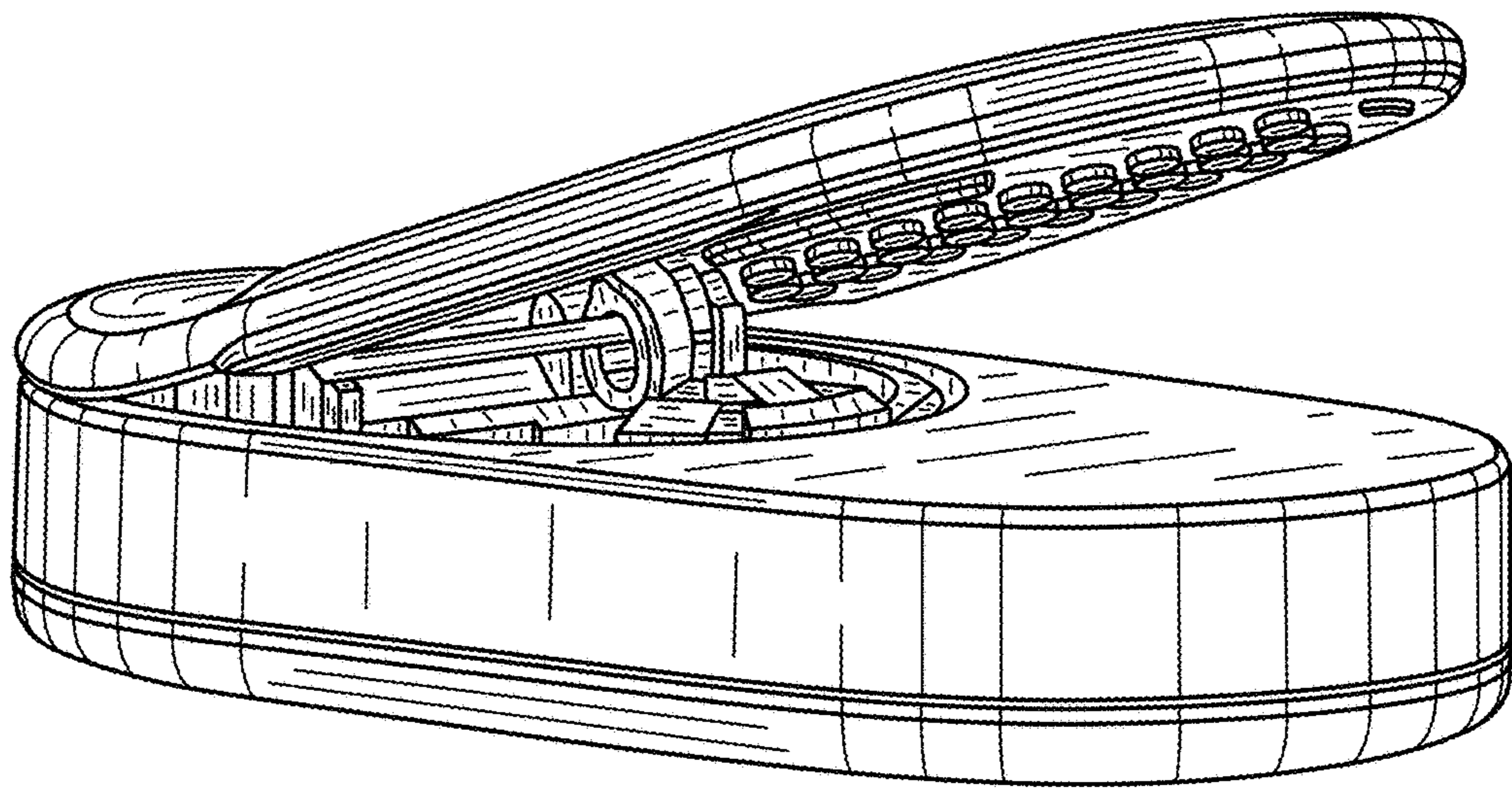


FIG. 8

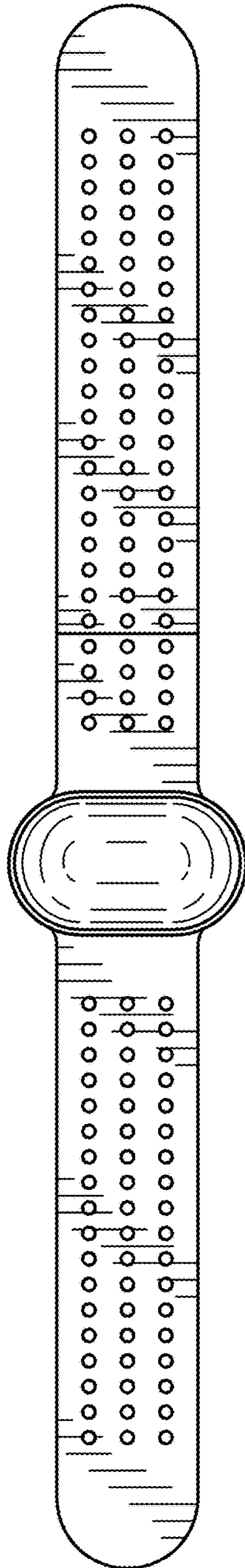


FIG. 9

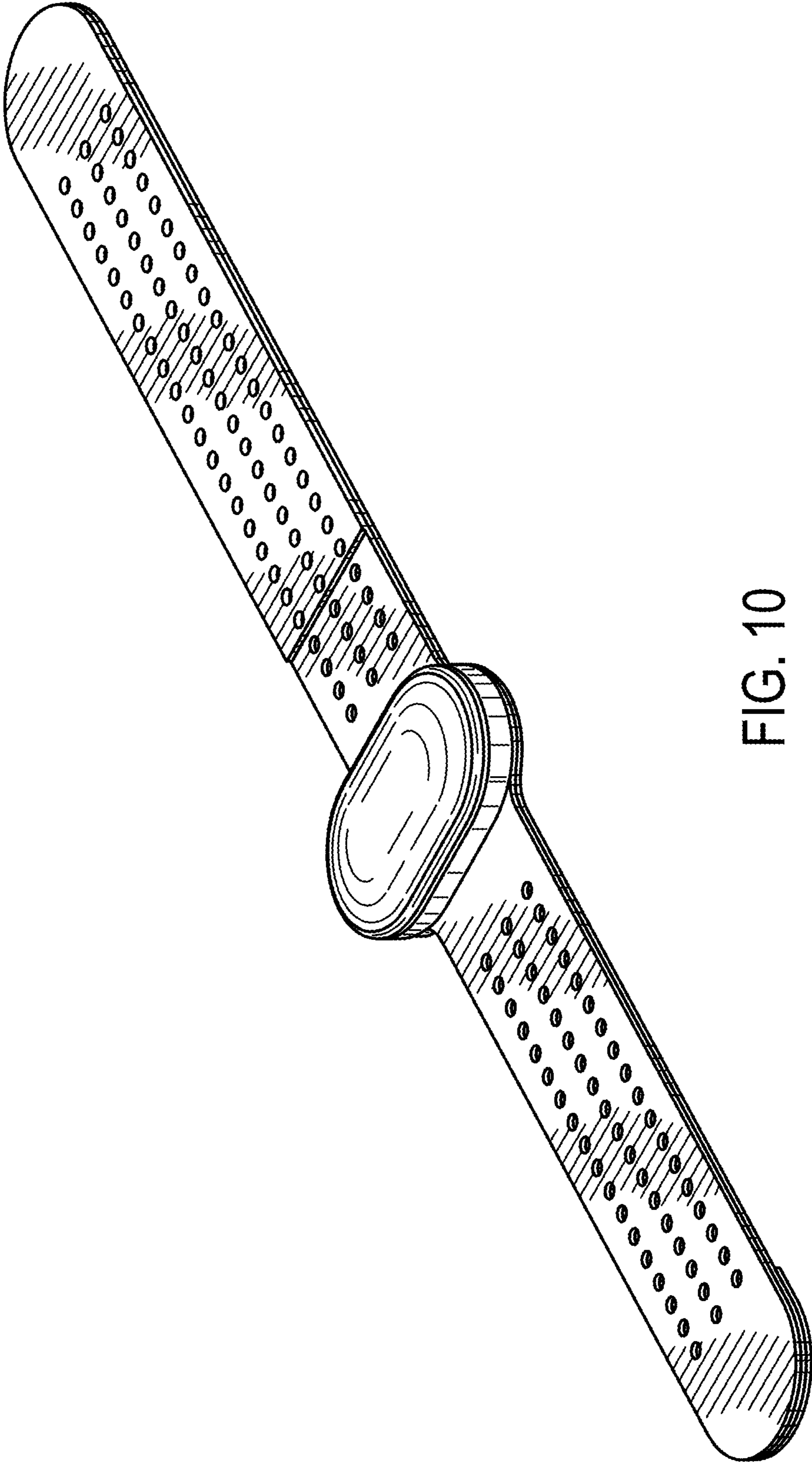


FIG. 10