



US00D773327S

(12) **United States Design Patent** (10) **Patent No.:** **US D773,327 S**
Furuya et al. (45) **Date of Patent:** **** Dec. 6, 2016**

(54) **FLOW CELL FOR A PARTICLE-DETECTING OPTICAL MONITOR**

(71) Applicant: **Azbil Corporation**, Tokyo (JP)

(72) Inventors: **Masashi Furuya**, Tokyo (JP); **Daisuke Obara**, Tokyo (JP); **Shingo Masumoto**, Tokyo (JP)

(73) Assignee: **Azbil Corporation**, Tokyo (JP)

(**) Term: **15 Years**

(21) Appl. No.: **29/538,755**

(22) Filed: **Sep. 8, 2015**

(51) **LOC (10) Cl.** **10-04**

(52) **U.S. Cl.**

USPC **D10/81**; D10/96

(58) **Field of Classification Search**

USPC D10/81, 96

CPC G01N 15/14; G01N 33/48; G01N 21/47;
G01N 21/532; G01N 21/05; G01N 21/64;
G01N 21/35; G01N 21/3504; G01N
21/3518; G01N 21/359; G01N 21/3581;
G01N 21/39; G01N 21/6402; G01N
21/6404; G01N 2021/0378; G01N
2021/0382

See application file for complete search history.

(56) **References Cited**

U.S. PATENT DOCUMENTS

D431,481 S * 10/2000 Bruhn D10/81
9,146,192 B2 * 9/2015 Some G01N 21/47

FOREIGN PATENT DOCUMENTS

JP 4540509 B2 7/2010

* cited by examiner

Primary Examiner — Antoine D Davis

(74) *Attorney, Agent, or Firm* — Amster, Rothstein & Ebenstein, LLP

(57) **CLAIM**

The ornamental design for a flow cell for a particle-detecting optical monitor, as shown and described.

DESCRIPTION

FIG. 1 is a perspective view of a flow cell for a particle-detecting optical monitor showing our new design;

FIG. 2 is a front view of the flow cell for a particle-detecting optical monitor of FIG. 1;

FIG. 3 is a rear view of the flow cell for a particle-detecting optical monitor of FIG. 1;

FIG. 4 is a left side view of the flow cell for a particle-detecting optical monitor of FIG. 1;

FIG. 5 is a right side view of the flow cell for a particle-detecting optical monitor of FIG. 1;

FIG. 6 is a top plan view of the flow cell for a particle-detecting optical monitor of FIG. 1;

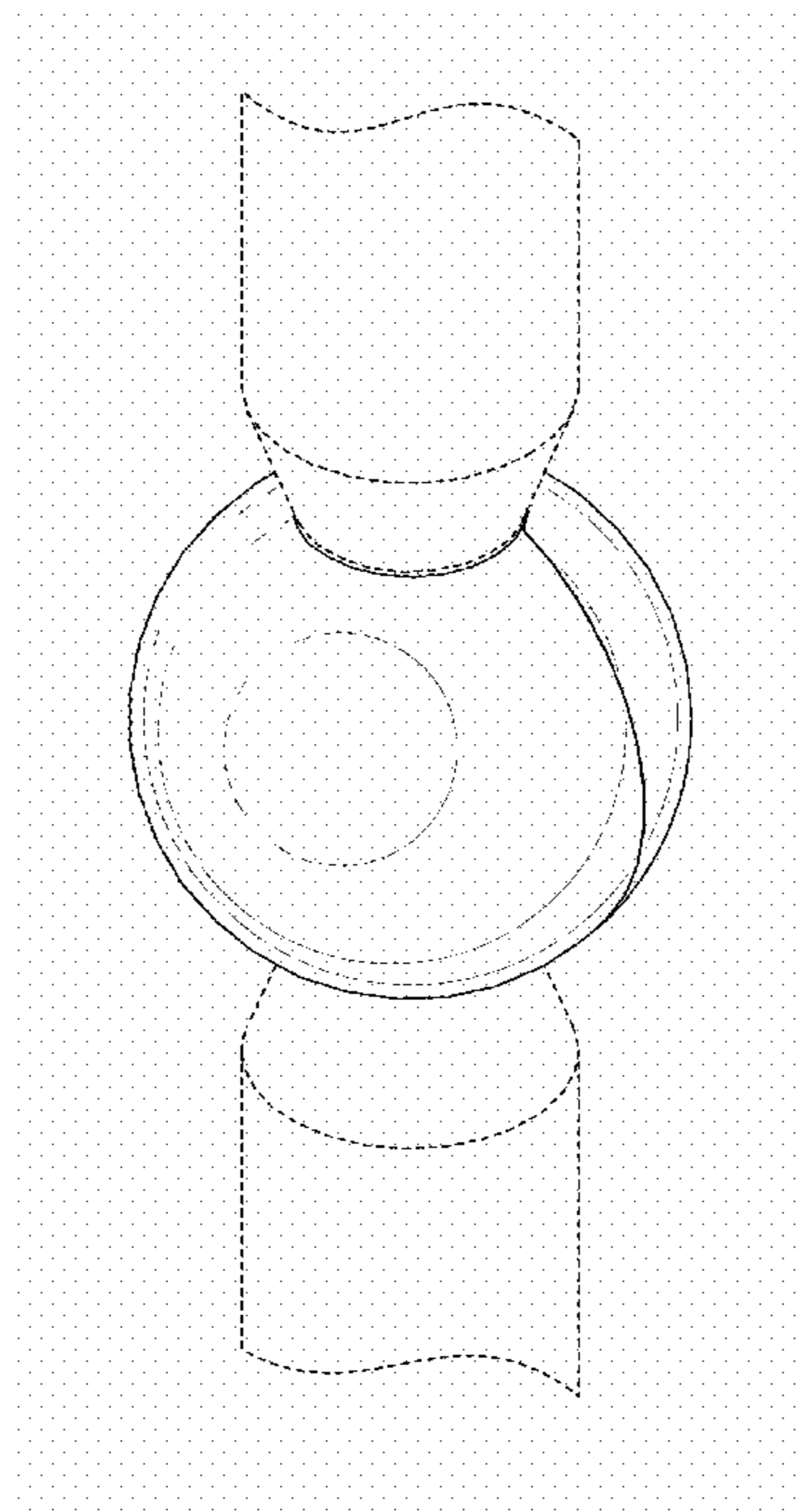
FIG. 7 is a bottom plan view of the flow cell for a particle-detecting optical monitor of FIG. 1;

FIG. 8 is a cross-sectional view taken along line 8-8 of FIG. 6; and,

FIG. 9 is a perspective view of the flow cell for a particle-detecting optical monitor of FIG. 1 shown disposed between a pair of supply elements.

The portion(s) of the supply elements and the cross-sectioned material shown in broken lines are for environmental purposes only and do not form part of the claimed design.

1 Claim, 6 Drawing Sheets



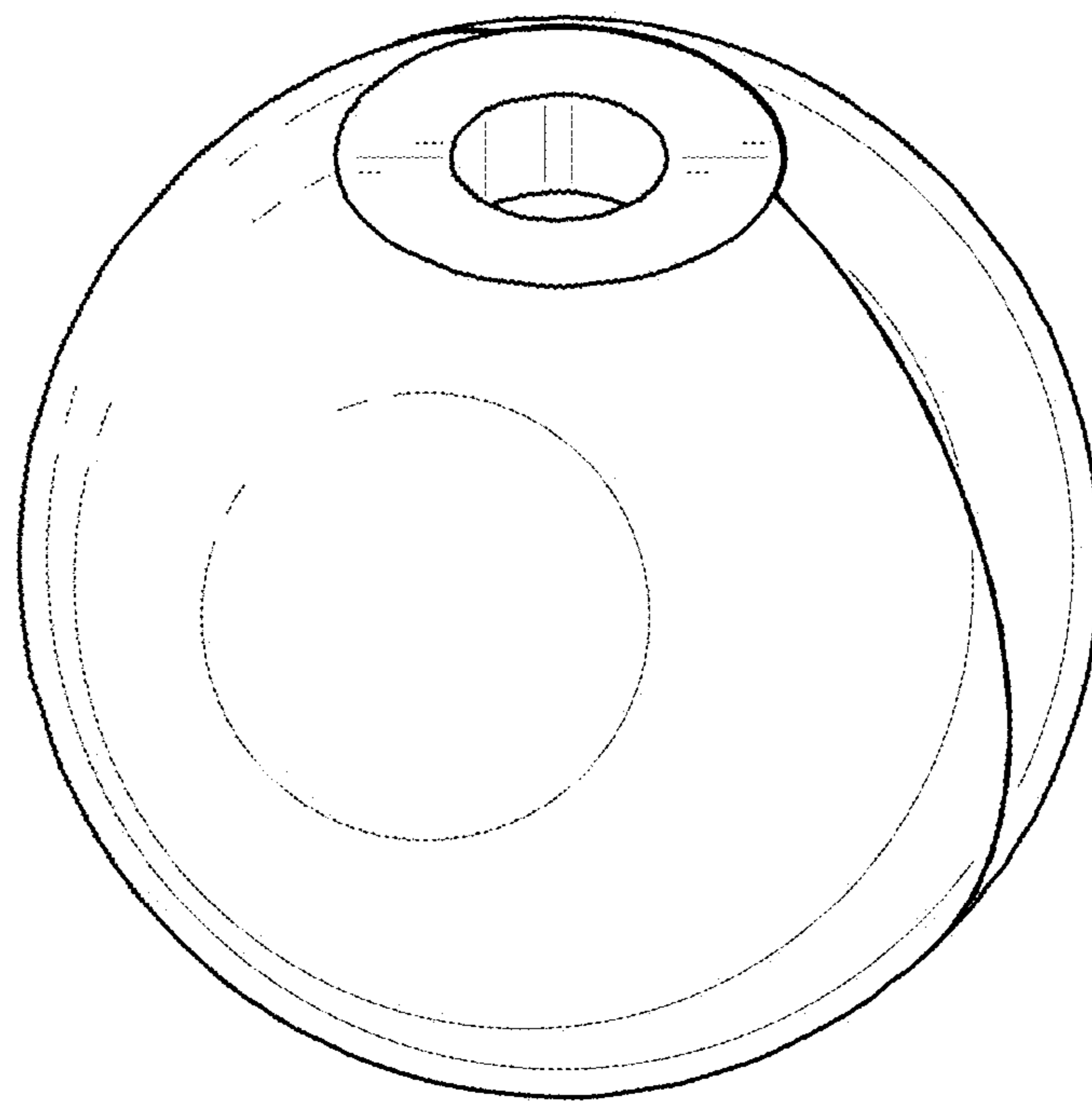


FIG. 1

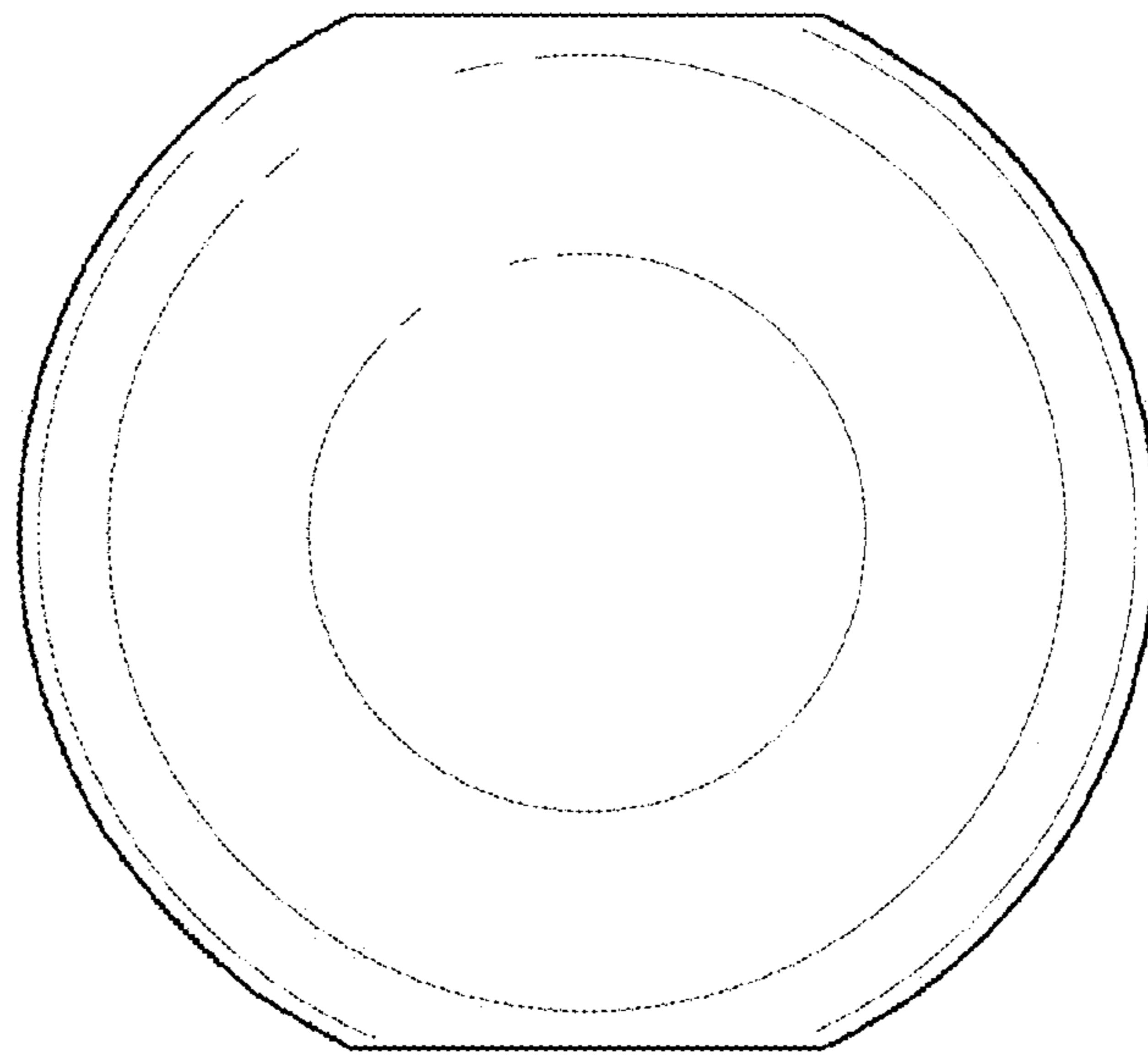


FIG. 2

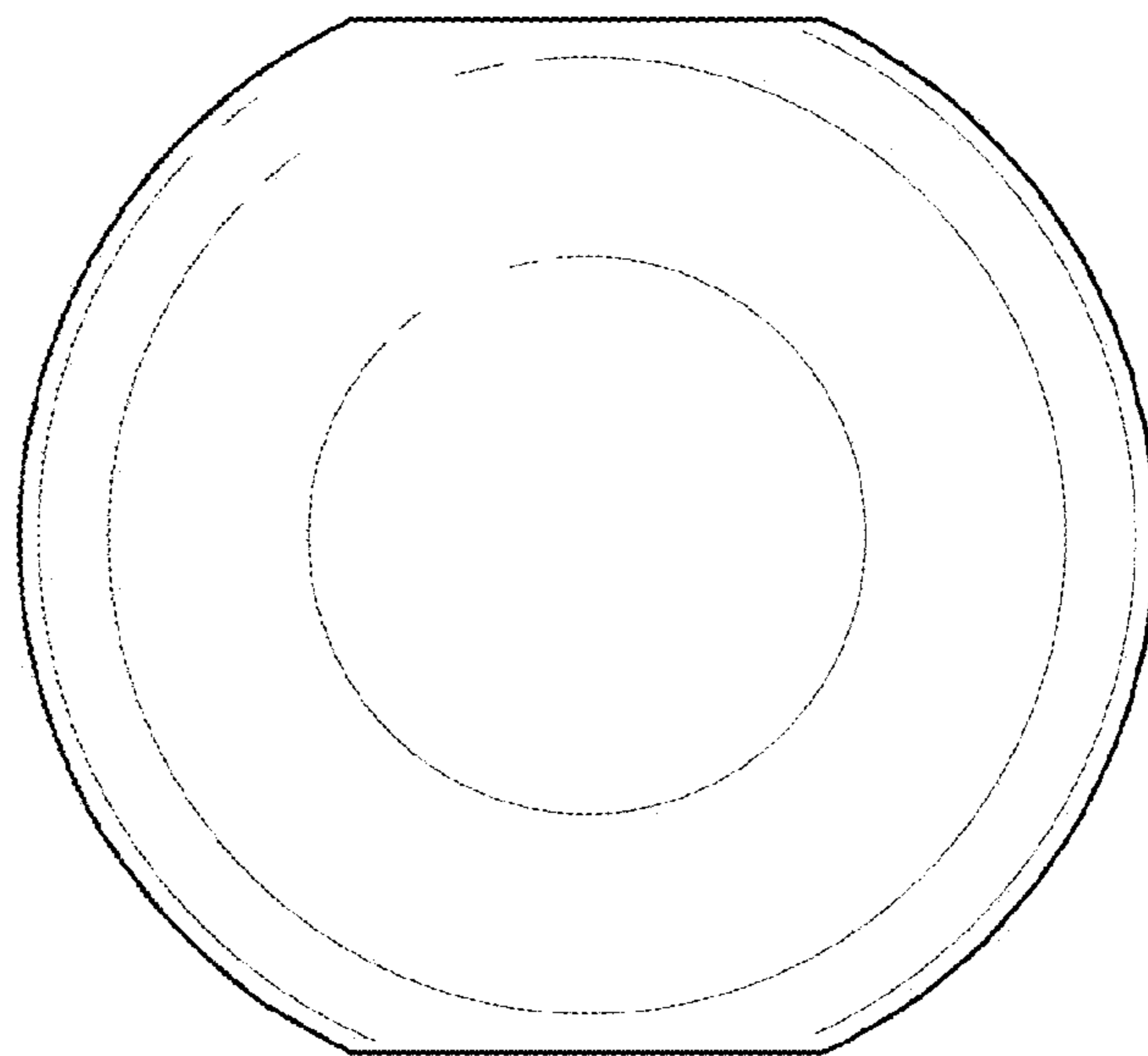


FIG. 3

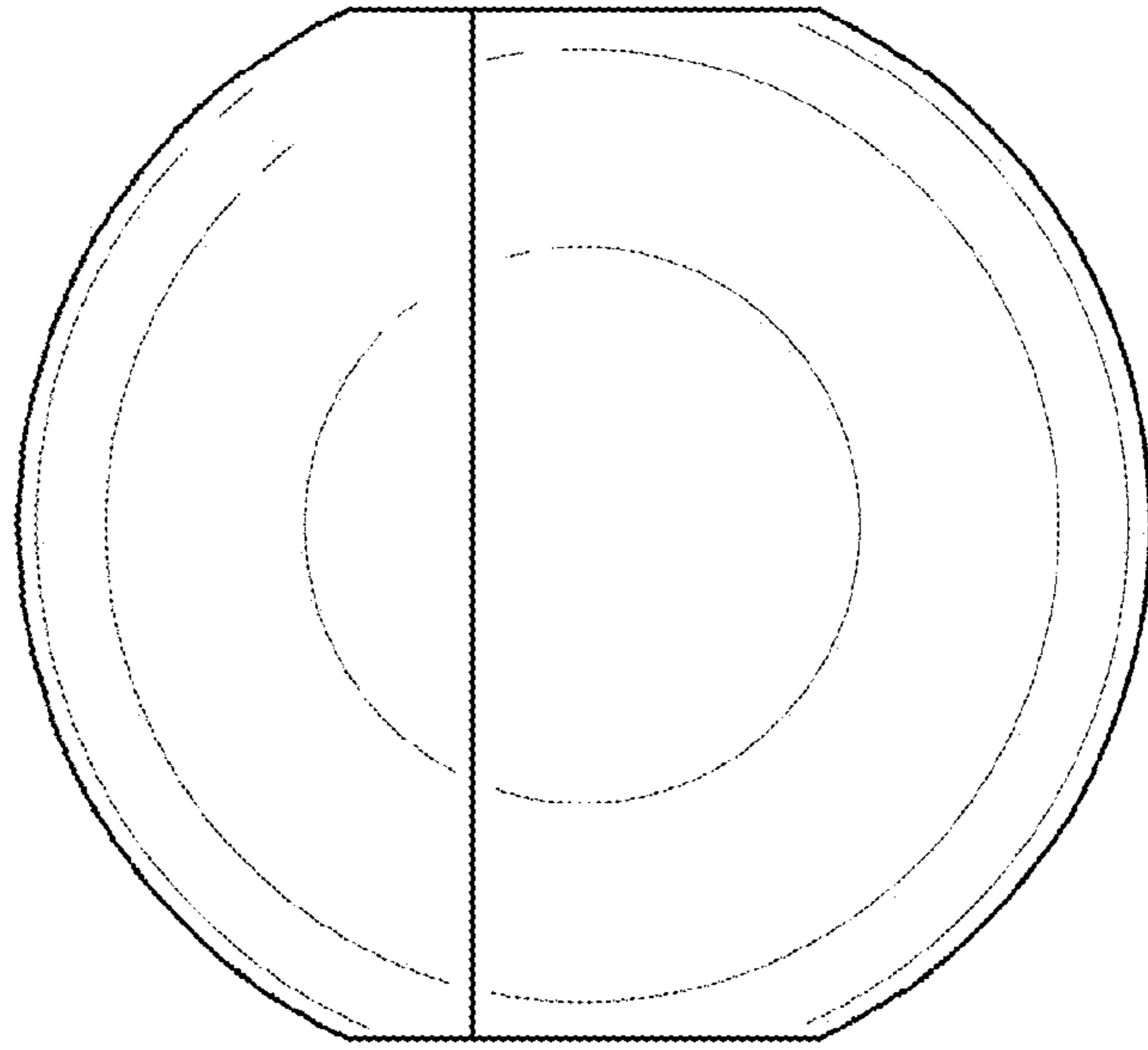


FIG. 4

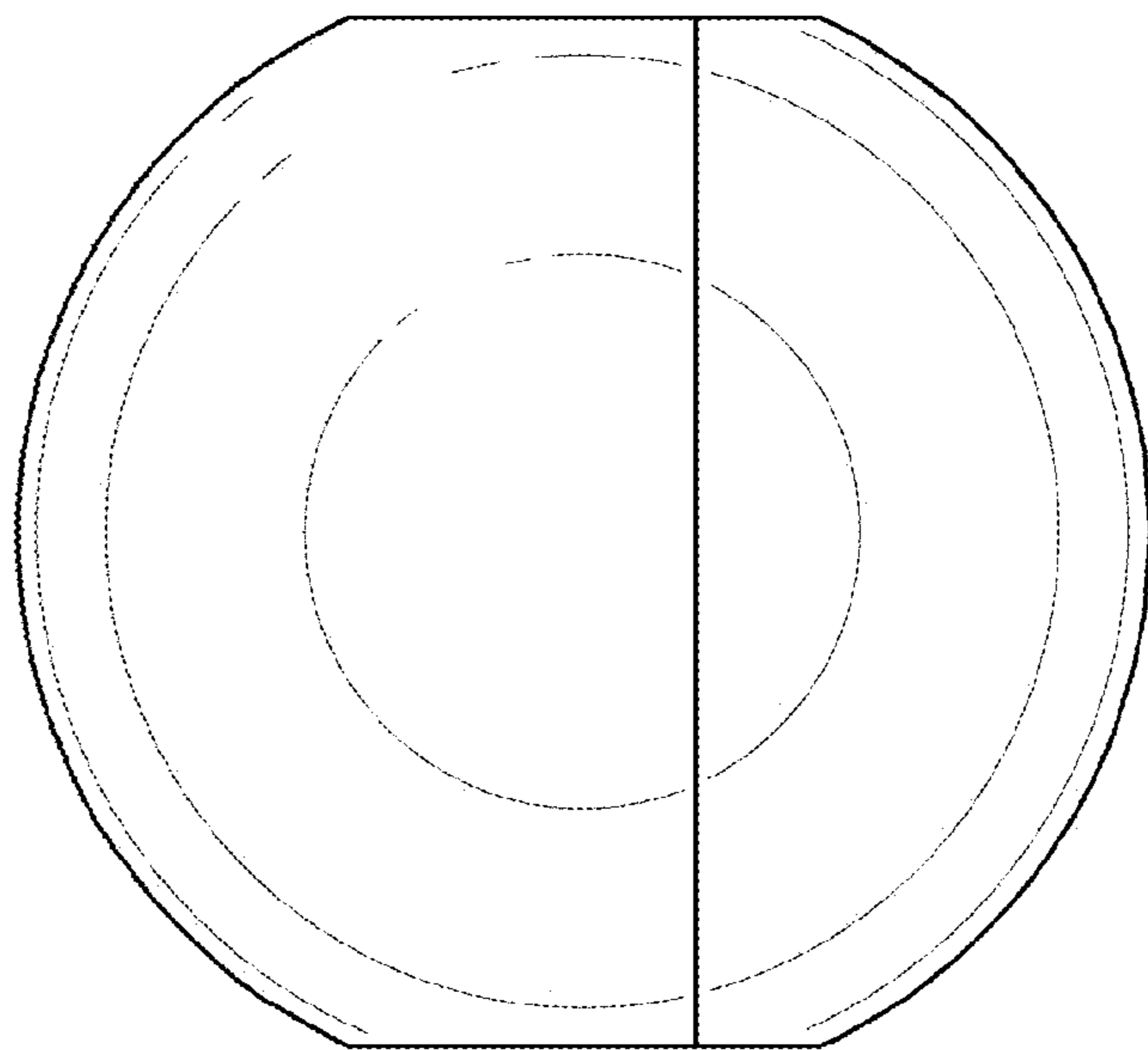


FIG. 5

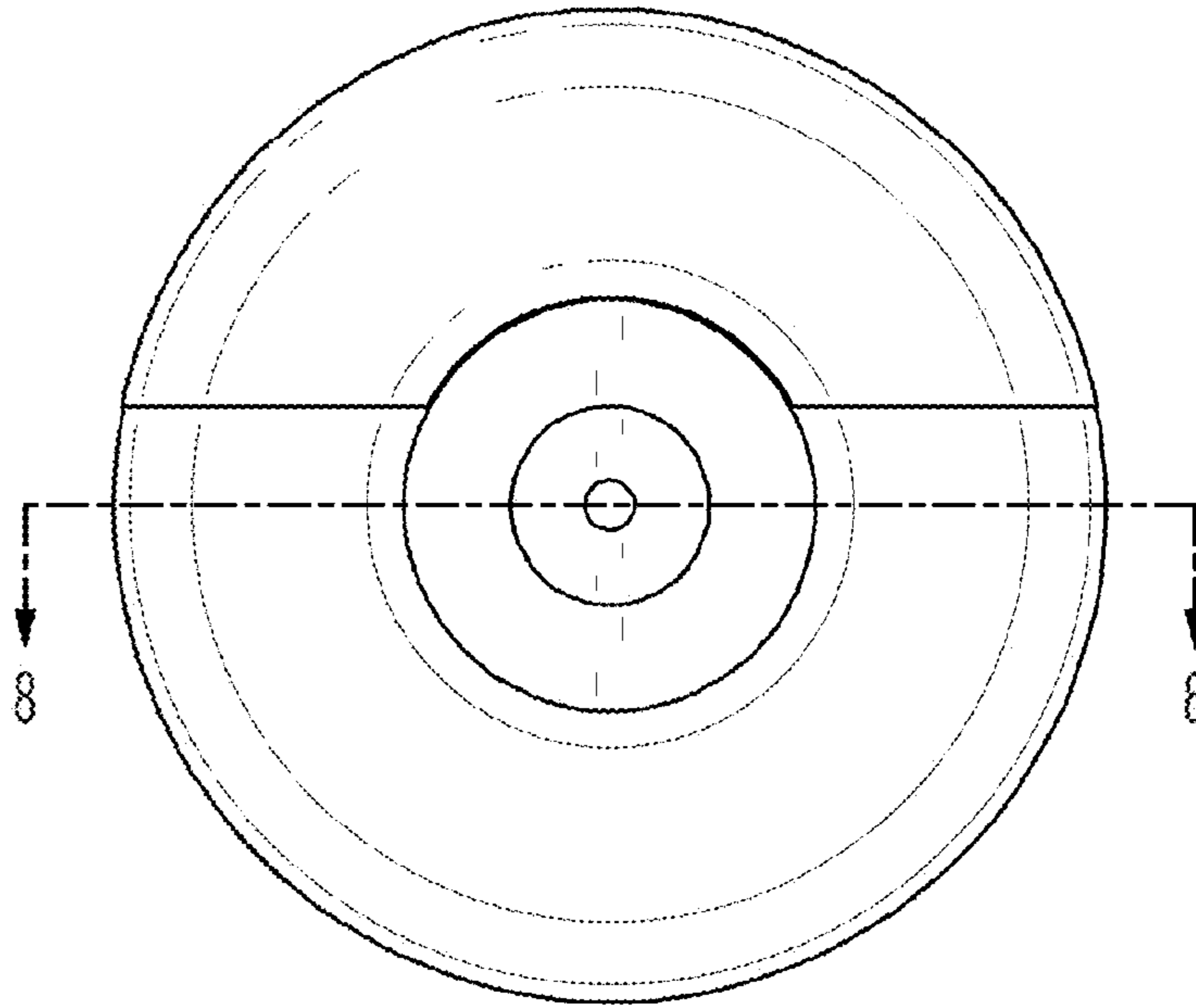


FIG. 6

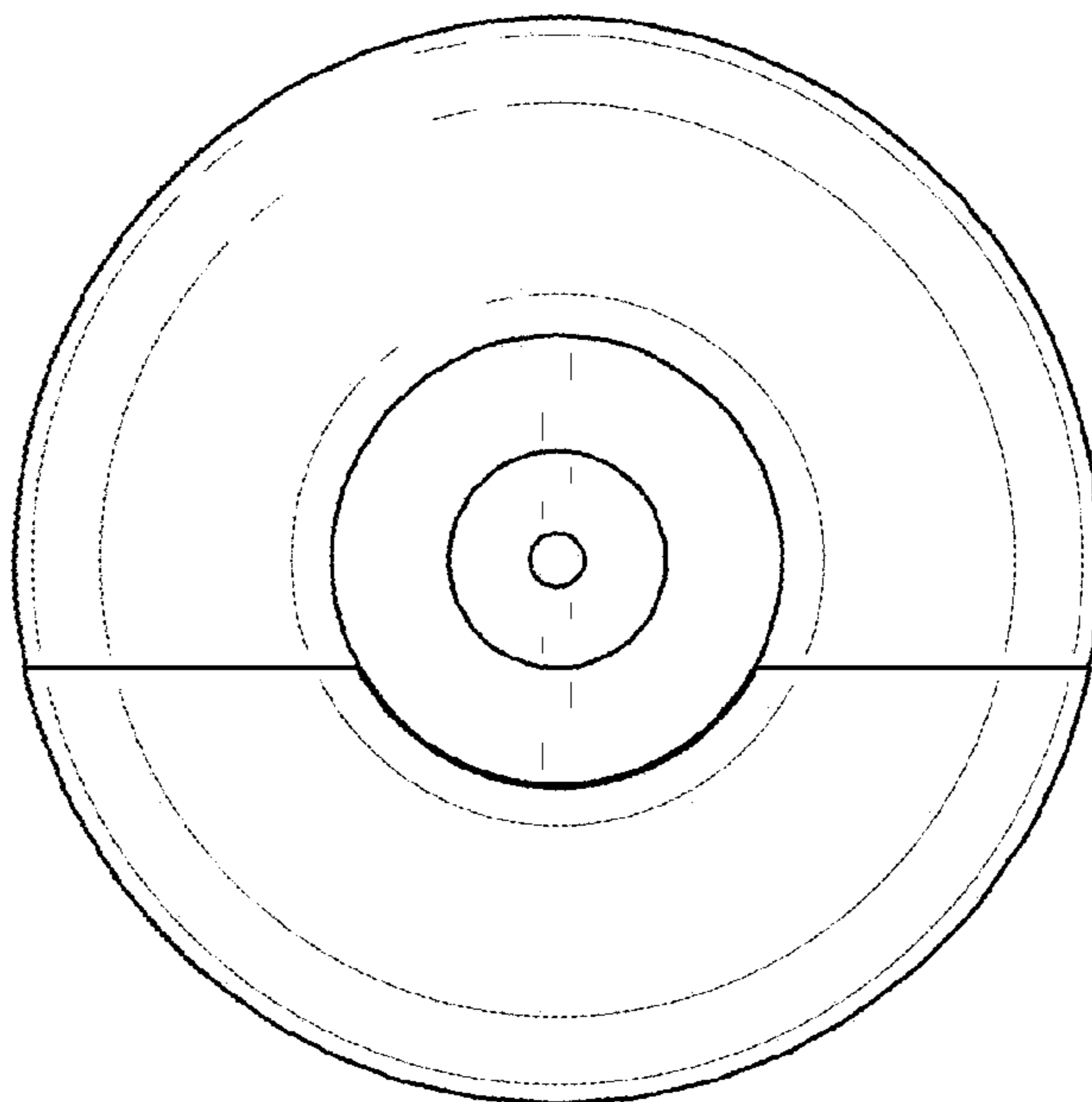


FIG. 7

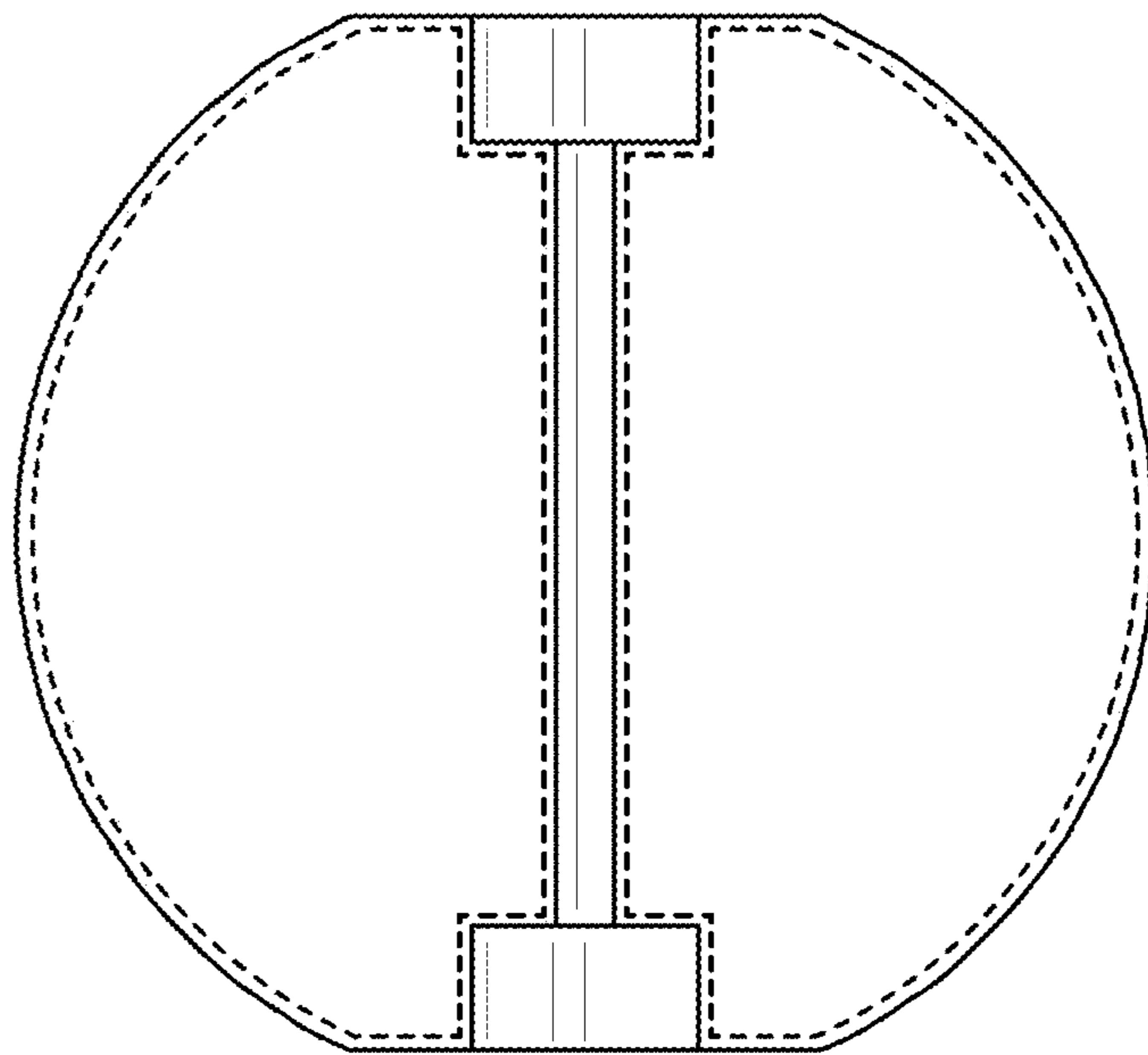


FIG. 8

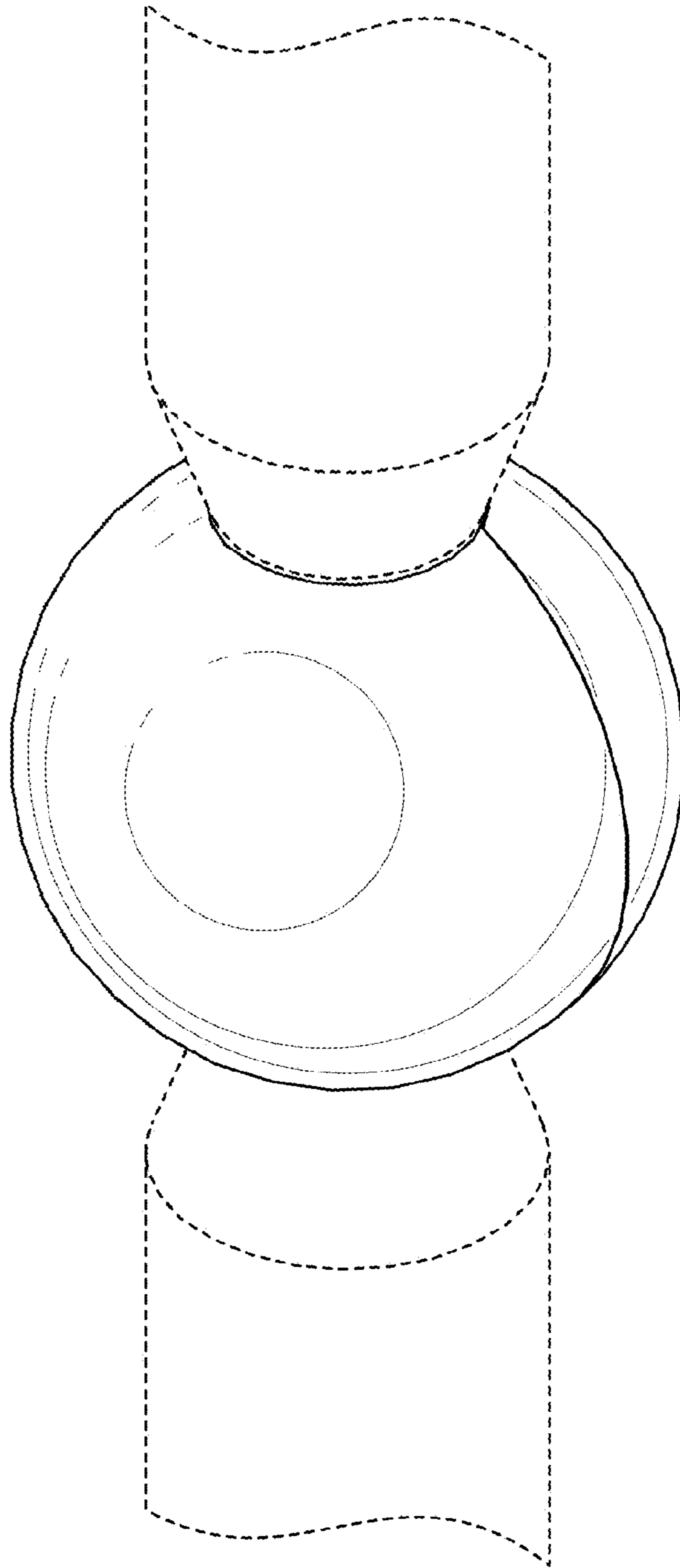


FIG. 9