



US00D773325S

(12) **United States Design Patent**
Browning et al.

(10) **Patent No.:** **US D773,325 S**

(45) **Date of Patent:** **** Dec. 6, 2016**

(54) **MOUNT FOR PORTABLE ELECTRONIC DEVICES**

(71) Applicant: **TomTom International B.V.**,
Amsterdam (NL)

(72) Inventors: **Daniel Browning**, Amsterdam (NL);
Mark Lee Dempsey, Beckenham (GB);
Nicholas Alexander Evans, Amsterdam
(NL); **Isaac Teece**, London (GB); **Kyle
Loughlin**, London (GB); **Marcus
Hoggarth**, London (GB); **Reinier
Tijssen**, Eindhoven (NL)

(73) Assignee: **TomTom International B.V.**,
Amsterdam (NL)

(**) Term: **15 Years**

(21) Appl. No.: **29/532,784**

(22) Filed: **Jul. 10, 2015**

(30) **Foreign Application Priority Data**

Jan. 12, 2015 (EM) 002611822

(51) **LOC (10) Cl.** **10-04**

(52) **U.S. Cl.**
USPC **D10/74; D14/447**

(58) **Field of Classification Search**
USPC D10/74; D14/447
CPC A47B 2097/005; A47B 2097/006;
B60R 11/00; B60R 11/0211; B60R
11/0229; B60R 11/0235; B60R 11/0252;
B60R 11/0258; B60R 2011/0003; B60R
2011/0005; B60R 2011/0007; B60R
2011/0056; B60R 2011/0057; B60R
2011/0063

See application file for complete search history.

(56) **References Cited**

U.S. PATENT DOCUMENTS

D619,586 S *	7/2010	Richter	D14/253
D619,587 S *	7/2010	Richter	D14/253
D686,927 S *	7/2013	Matuschek	D10/74
D708,187 S *	7/2014	Xiang	D14/447
D709,066 S *	7/2014	Byun	D14/253
D733,156 S *	6/2015	Choi	D14/447
D750,515 S *	3/2016	Ditges	D10/74

* cited by examiner

Primary Examiner — Antoine D Davis

(57) **CLAIM**

The ornamental design for a mount for portable electronic devices, as shown and described.

DESCRIPTION

FIG. 1 is a perspective view showing the front and upper surfaces of the mount.

FIG. 2 is a front view of the mount.

FIG. 3 is a perspective view showing the rear and lower surfaces of the mount.

FIG. 4 is a rear view of the mount.

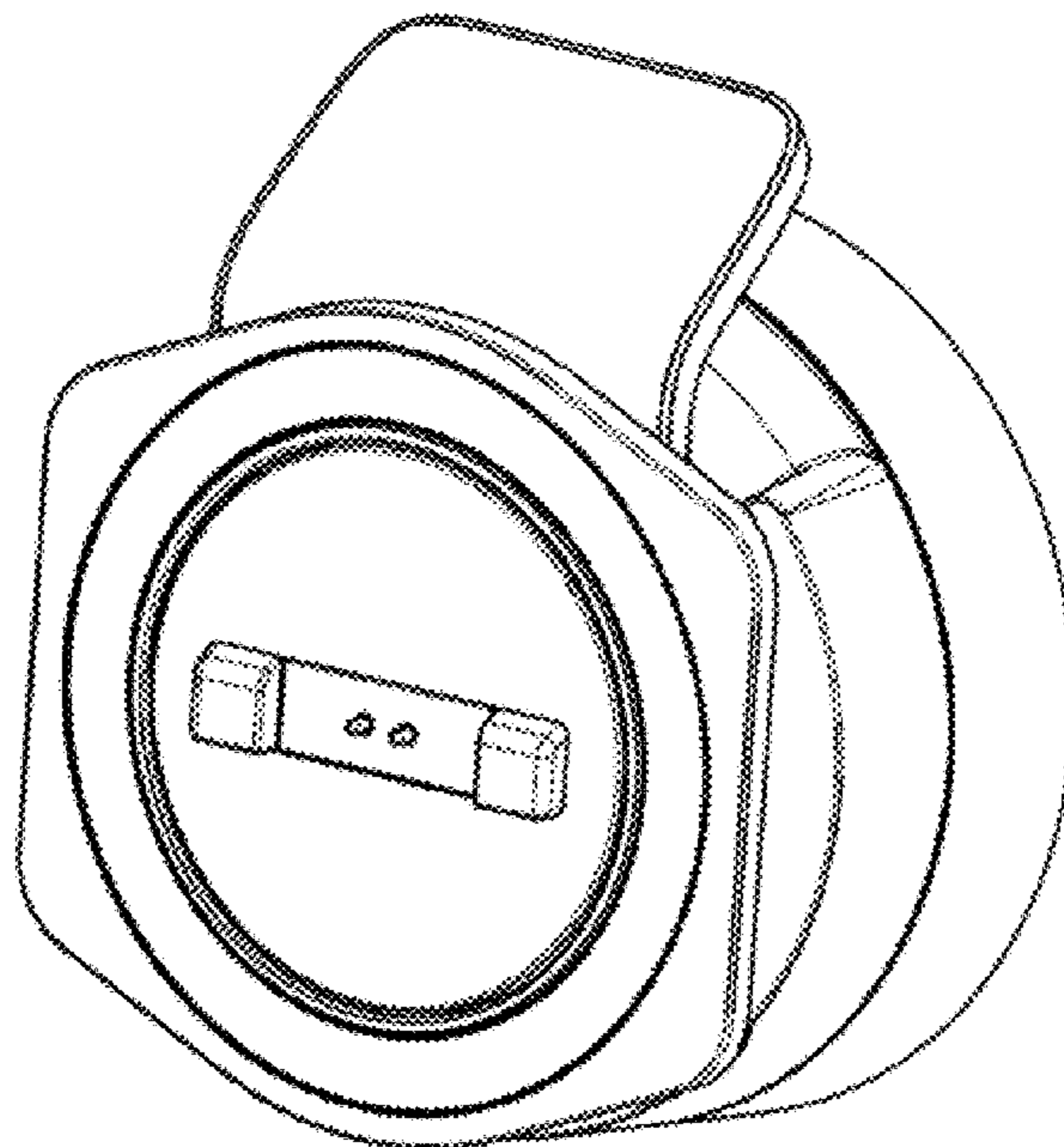
FIG. 5 is a bottom view of the mount.

FIG. 6 is a top view of the mount; and,

FIG. 7 is a side view of the mount.

The features shown in broken lines in FIGS. 3, 4 and 5 are for illustrating environmental structure and do not form part of the claimed design.

1 Claim, 6 Drawing Sheets



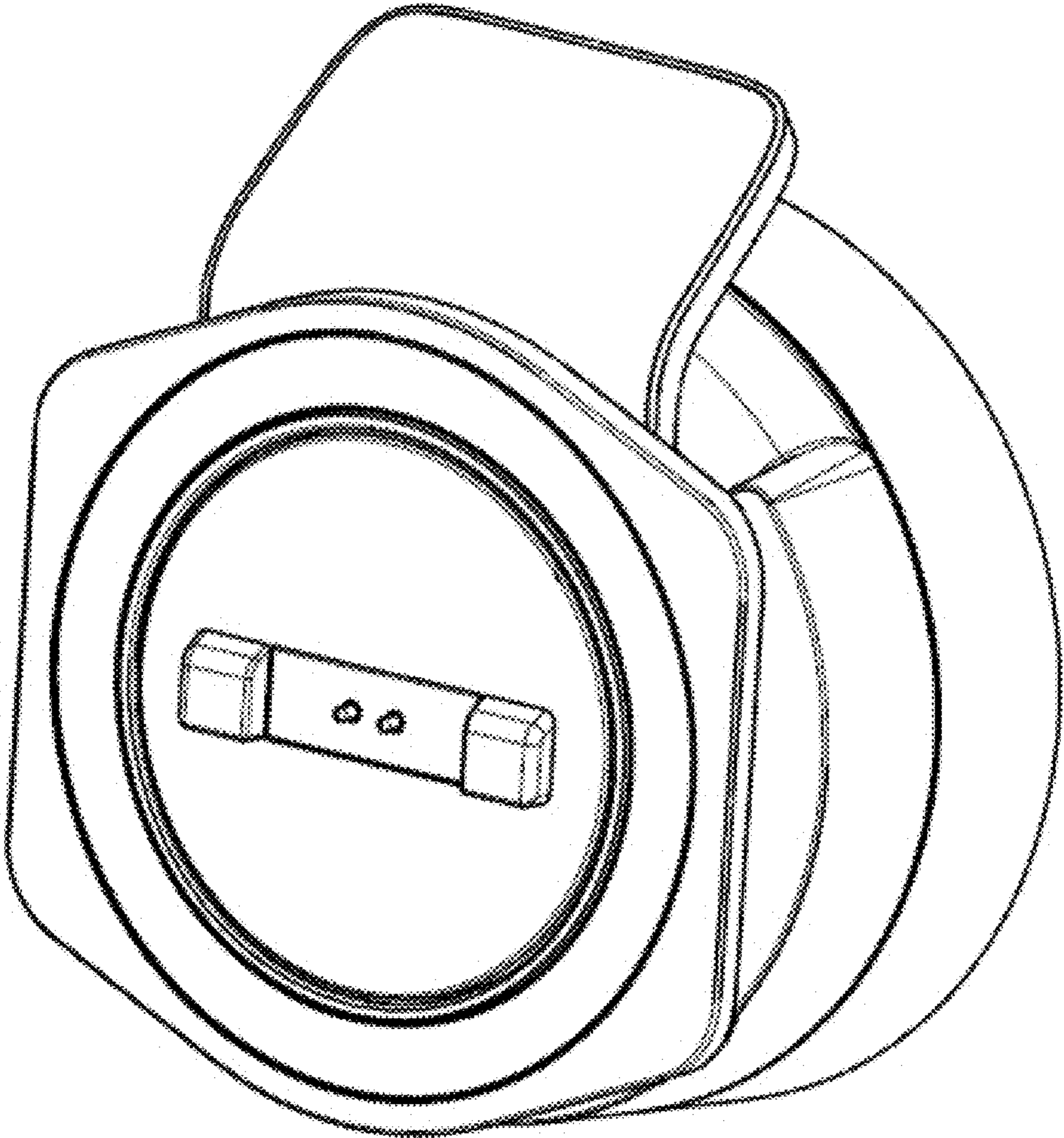


Figure 1

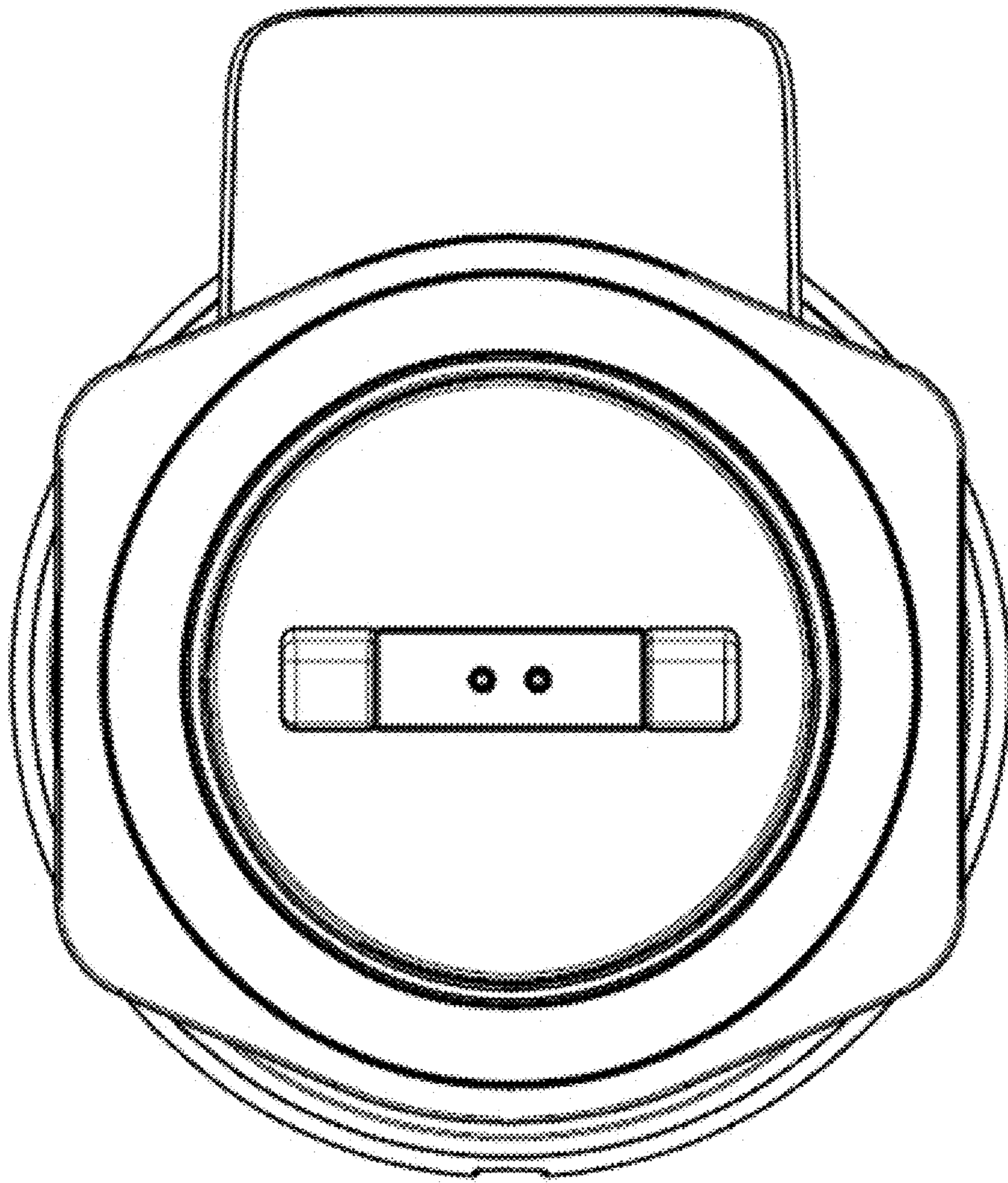


Figure 2

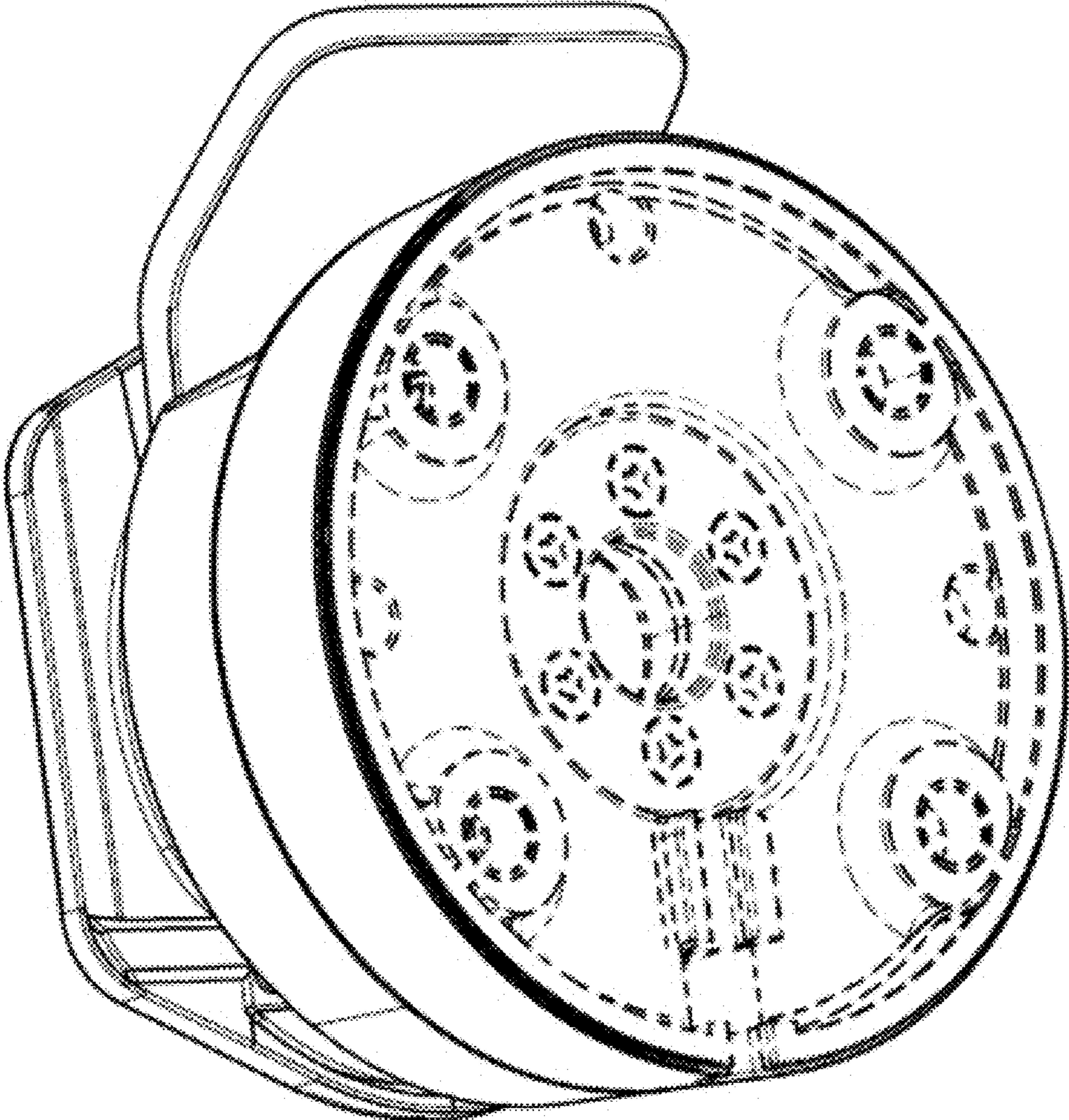


Figure 3

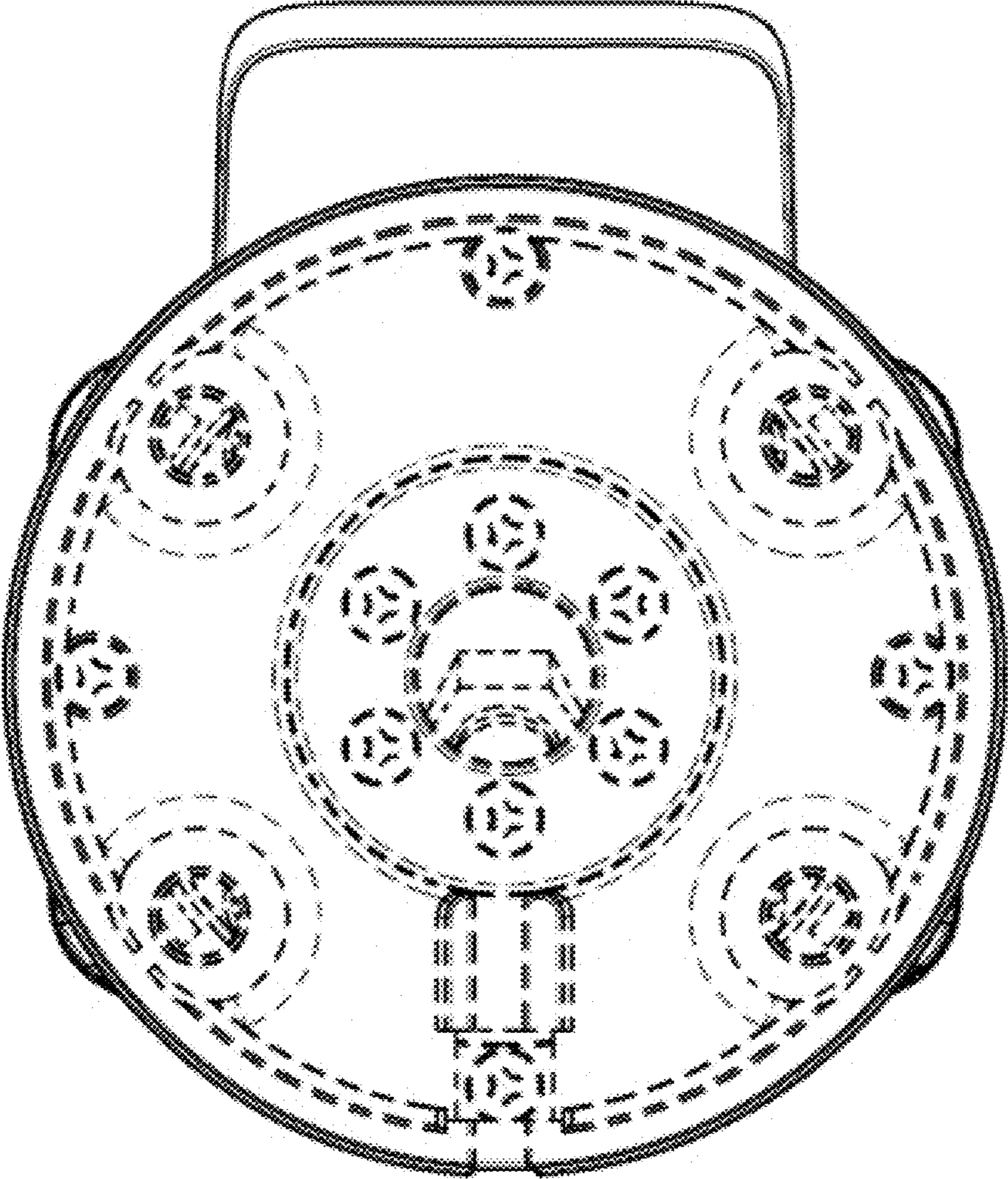


Figure 4

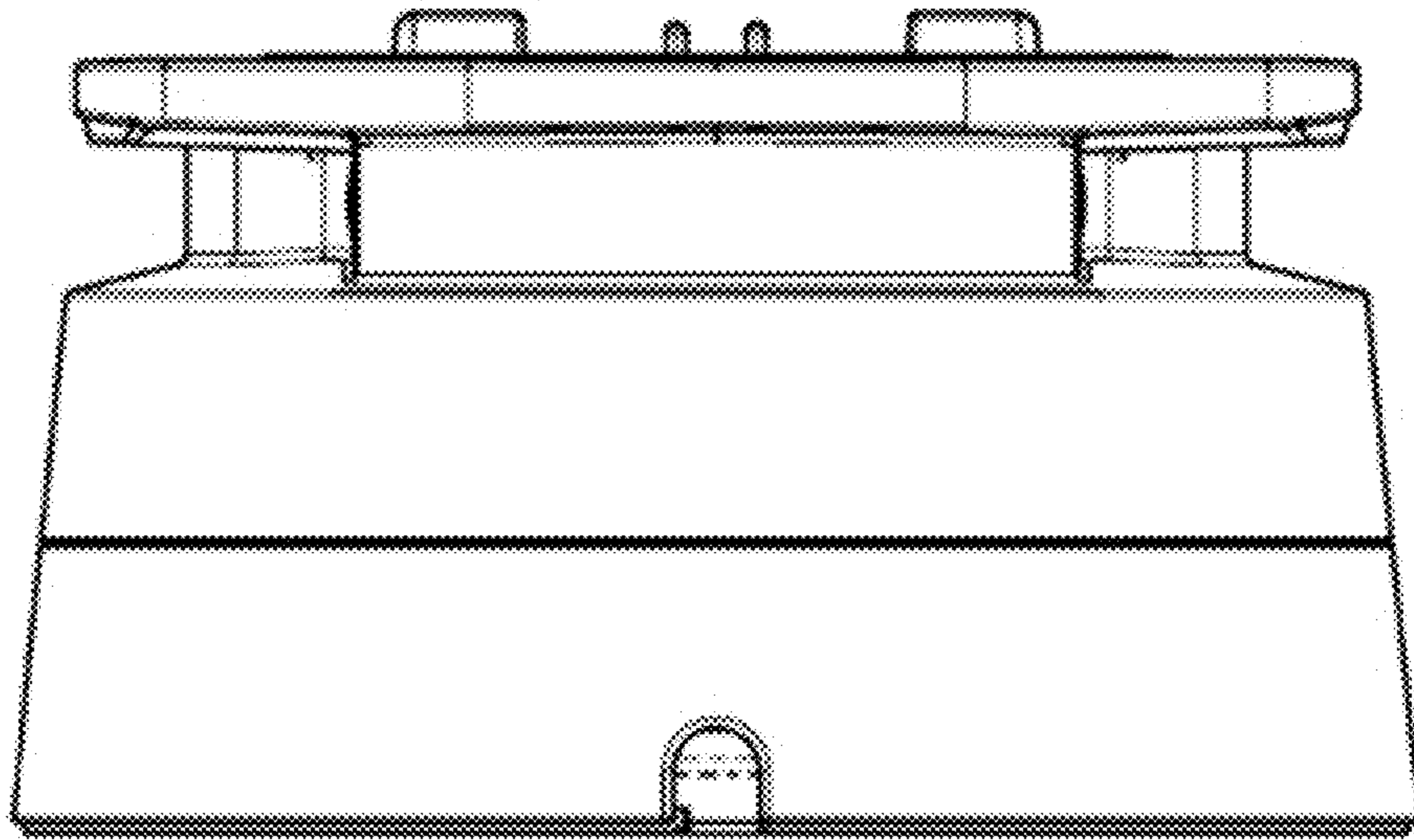


Figure 5

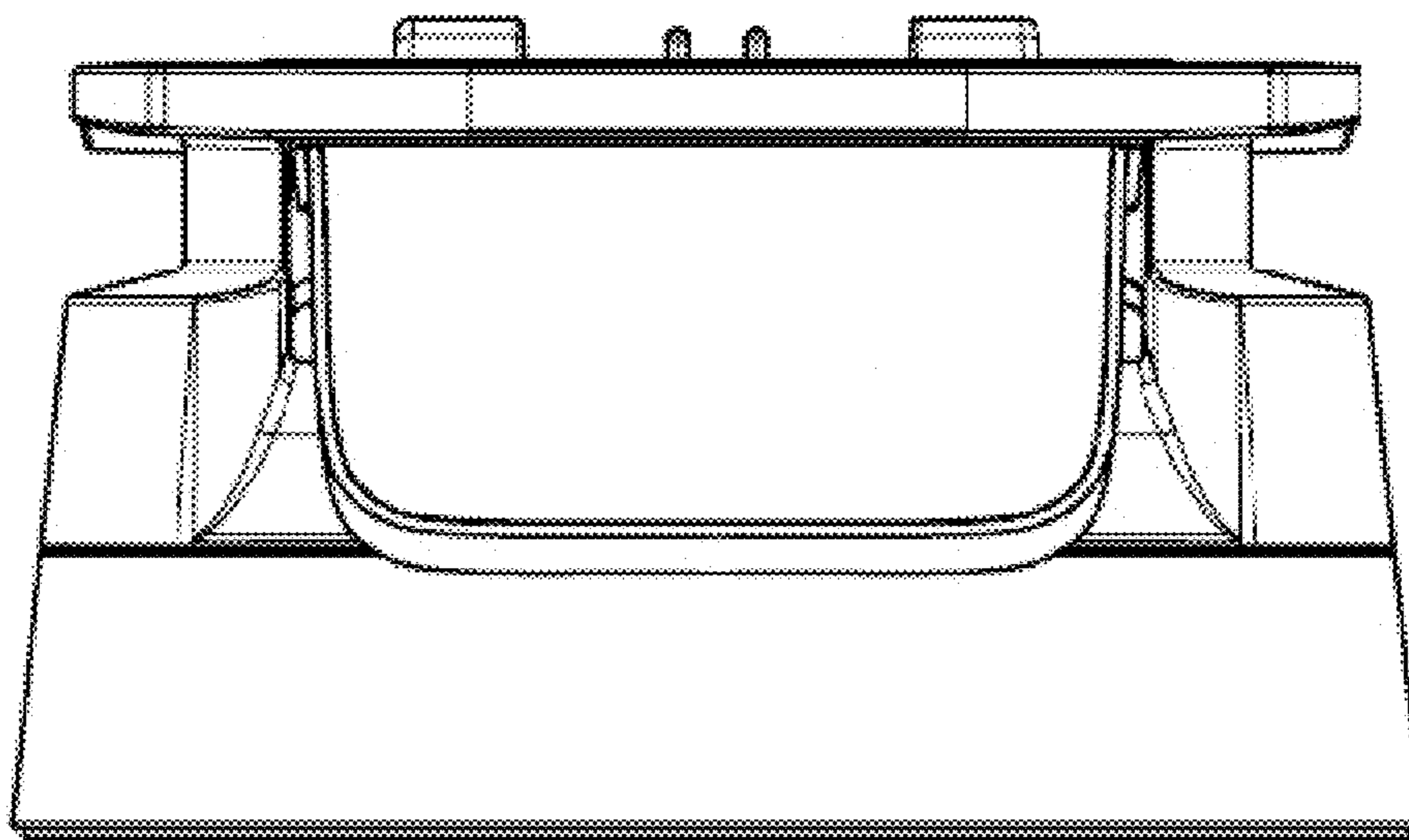


Figure 6

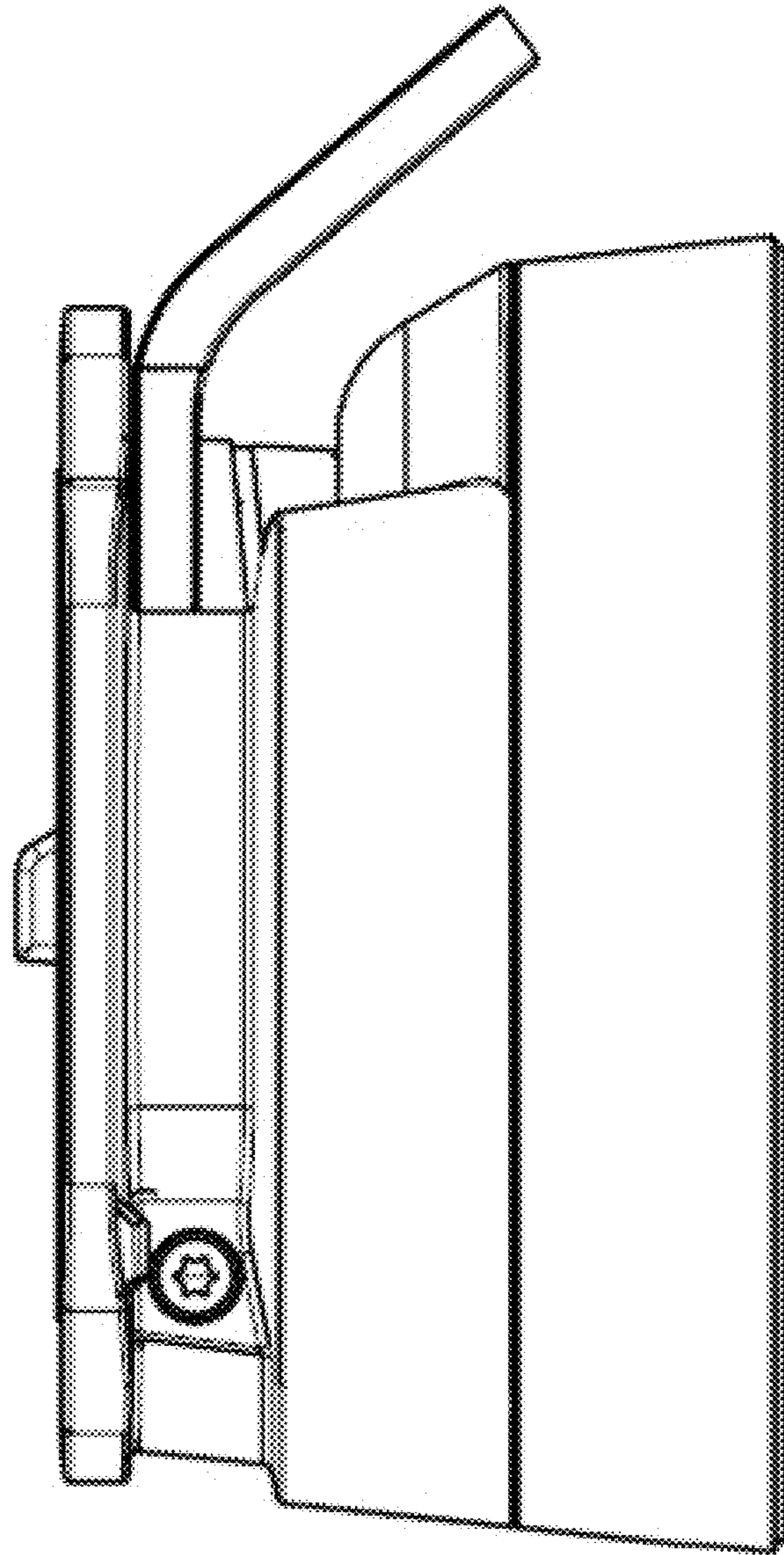


Figure 7