



US00D773324S

(12) **United States Design Patent**
Klein et al.

(10) **Patent No.:** **US D773,324 S**

(45) **Date of Patent:** **** Dec. 6, 2016**

(54) **TRACKING BEACON COVER**

(71) Applicant: **W. W. Grainger, Inc.**, Lake Forest, IL (US)

(72) Inventors: **Brice Klein**, Chicago, IL (US); **Alessia Serafino**, Palatine, IL (US); **Reena Patel**, Lake Forest, IL (US)

(73) Assignee: **W.W. Grainger, Inc.**, Lake Forest, IL (US)

(**) Term: **15 Years**

(21) Appl. No.: **29/545,815**

(22) Filed: **Nov. 16, 2015**

(51) **LOC (10) Cl.** **10-04**

(52) **U.S. Cl.**

USPC **D10/70**

(58) **Field of Classification Search**

USPC D10/65, 70

CPC A41D 1/02; A44C 5/0015; A44C 5/02;

A44C 5/14; A61B 19/44; A61B 2019/446;

A63B 71/06; A63B 26/00; A63B 24/0075;

A63B 2071/0663; G09F 3/005; G06F 1/163;

G06F 3/038; G06F 3/03547; G06F 17/00;

G06F 17/08; G04F 17/00; G04F 17/08

See application file for complete search history.

(56) **References Cited**

U.S. PATENT DOCUMENTS

D693,248 S * 11/2013 Anderssen D10/70

D693,249 S * 11/2013 Anderssen D10/65

D715,667 S * 10/2014 Shigeno D10/70

D717,680 S * 11/2014 Park D10/70

D733,596 S * 7/2015 Goodner D10/70

D736,107 S * 8/2015 Lee D10/70

D748,507 S * 2/2016 Evans D10/70

D758,905 S * 6/2016 Evans D10/70

* cited by examiner

Primary Examiner — Antoine D Davis

(74) *Attorney, Agent, or Firm* — Greenberg Traurig, LLP

(57) **CLAIM**

What is claimed is the ornamental design for a cover for a tracking beacon, as shown and described.

DESCRIPTION

FIG. 1 is an isometric view of the tracking beacon cover;

FIG. 2 is an isometric view of the tracking beacon cover;

FIG. 3 is a top view of the tracking beacon cover;

FIG. 4 is a bottom view of the tracking beacon cover;

FIG. 5 is a front view of the tracking beacon cover;

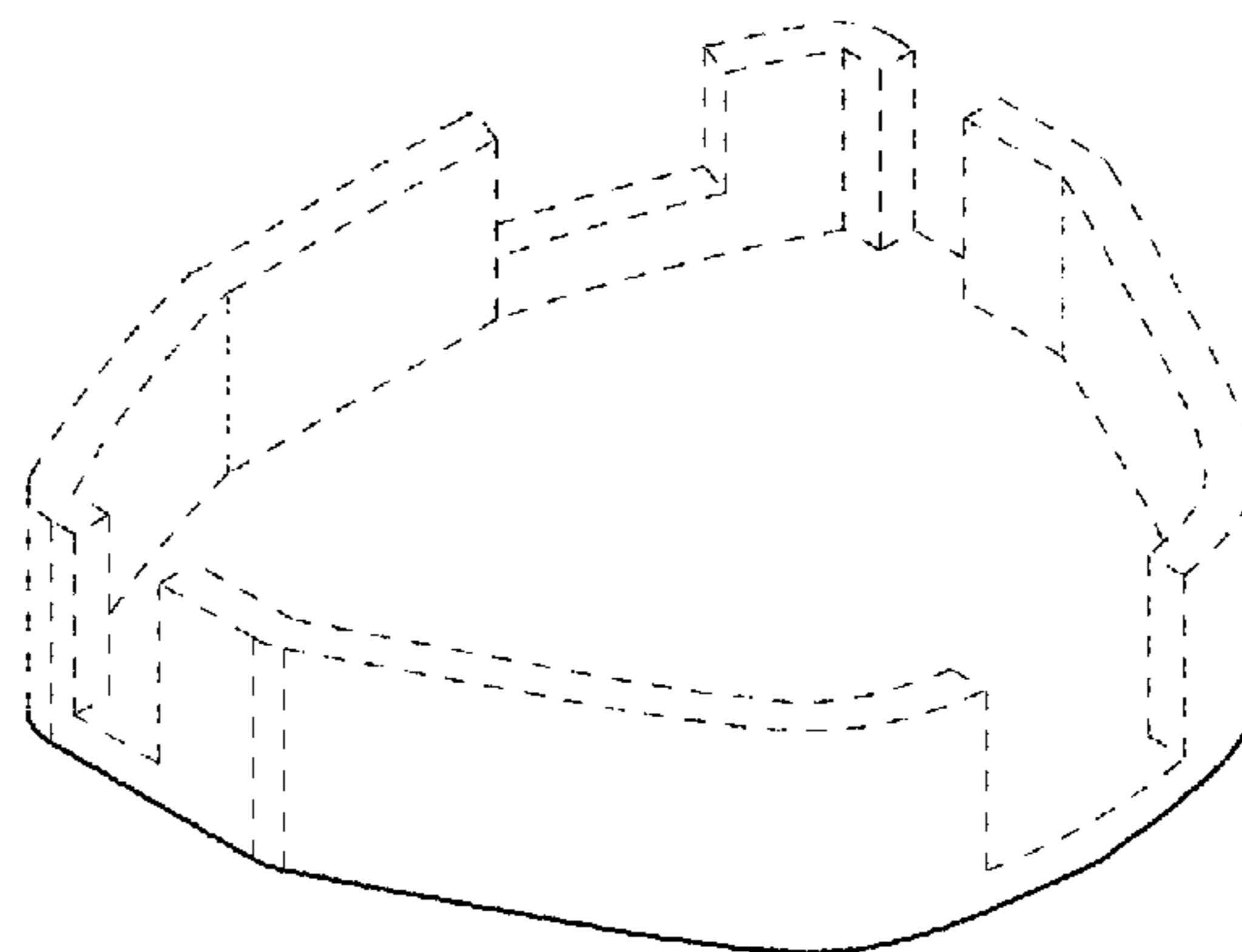
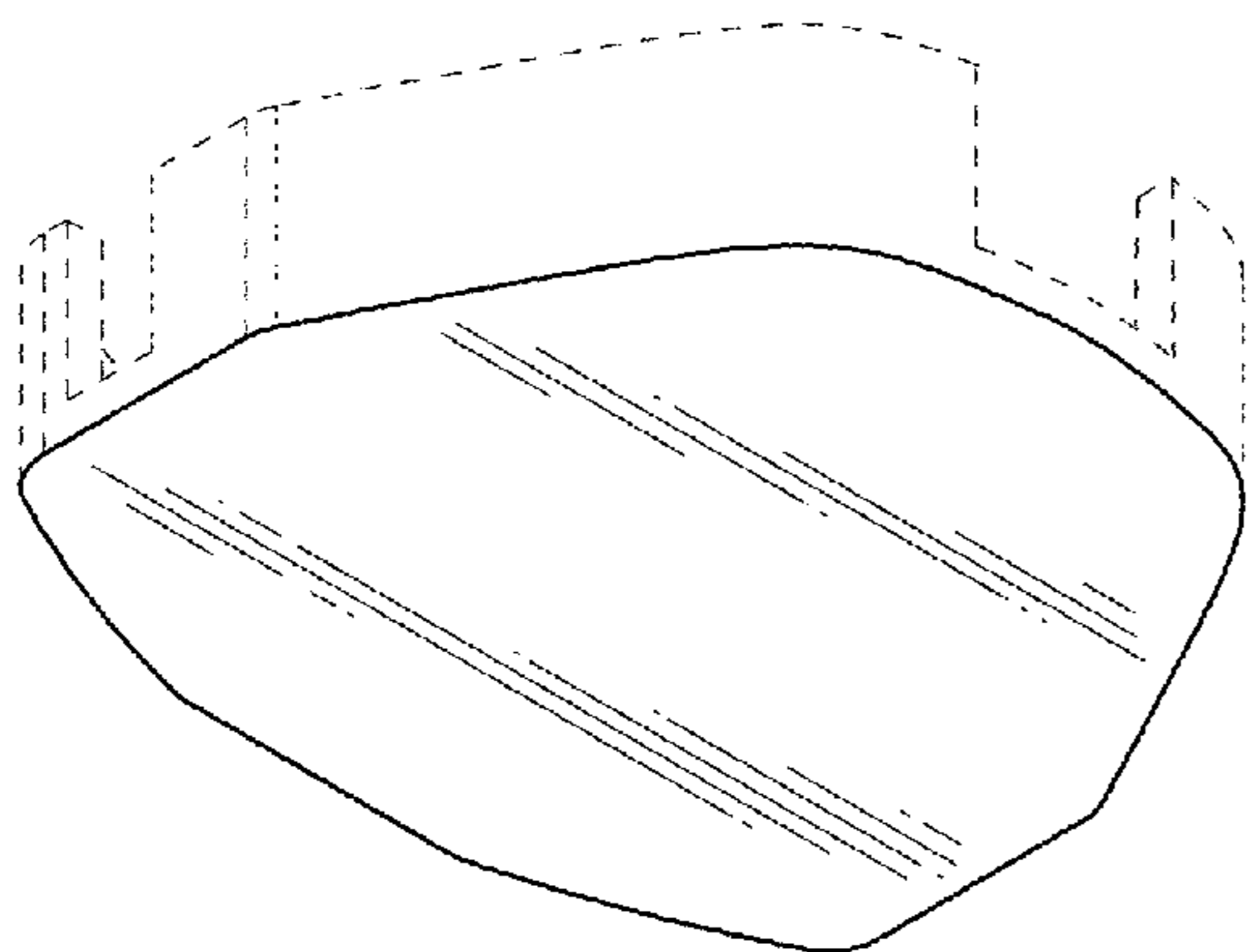
FIG. 6 is a back view of the tracking beacon cover;

FIG. 7 is a left view of the tracking beacon cover; and,

FIG. 8 is a right view of the tracking beacon cover.

The broken-lines are for illustration only and form no part of the design claimed.

1 Claim, 3 Drawing Sheets



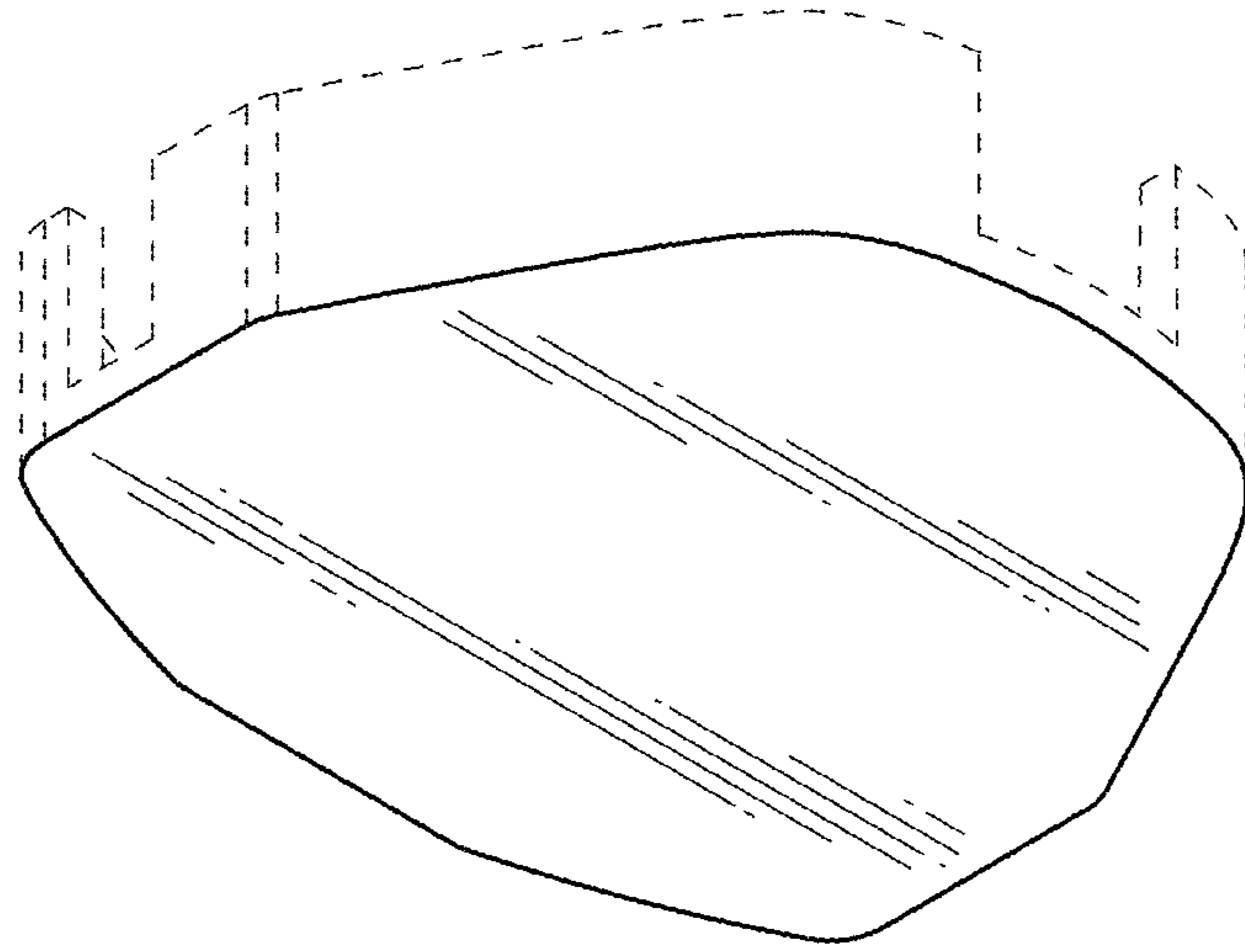


FIG. 1

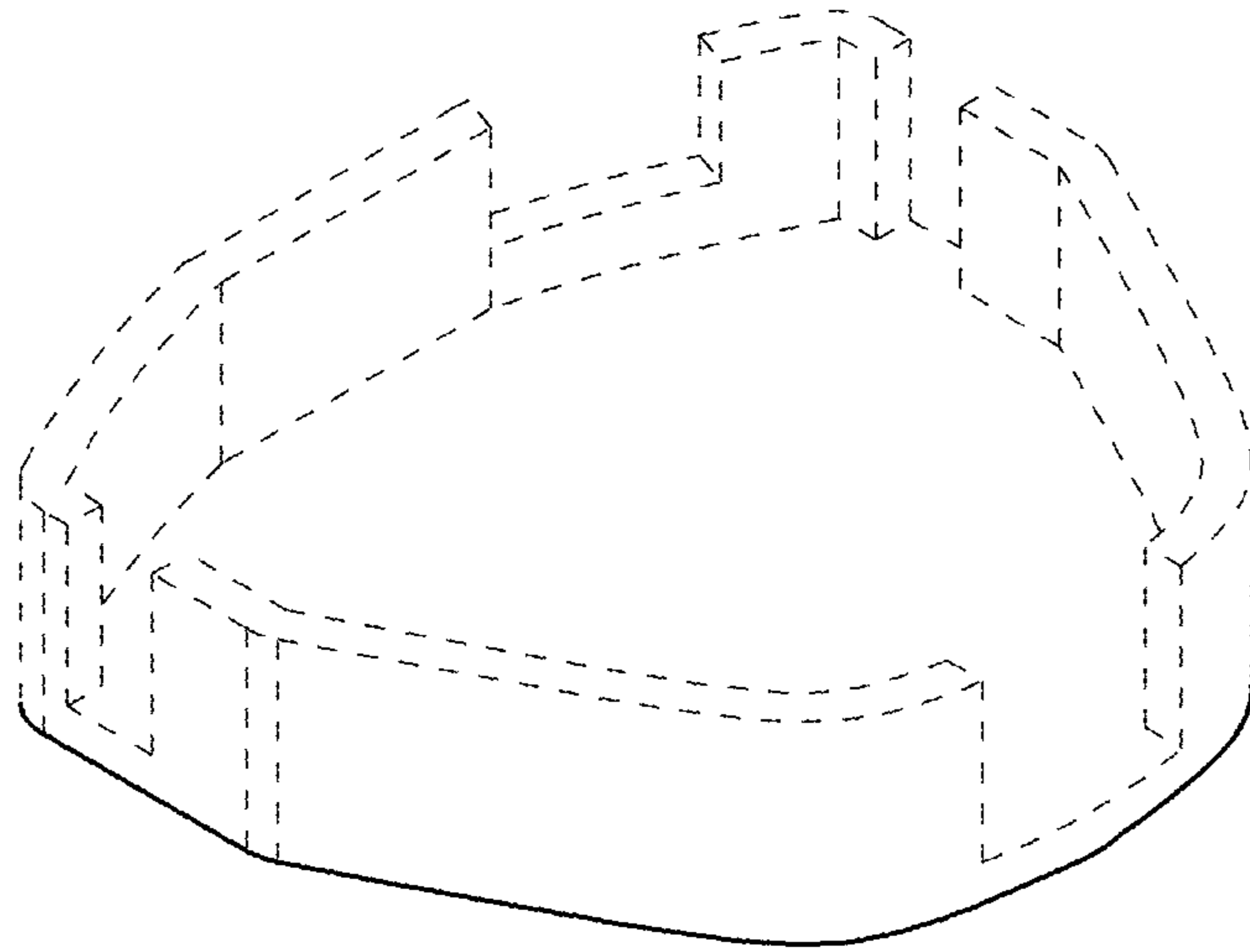


FIG. 2

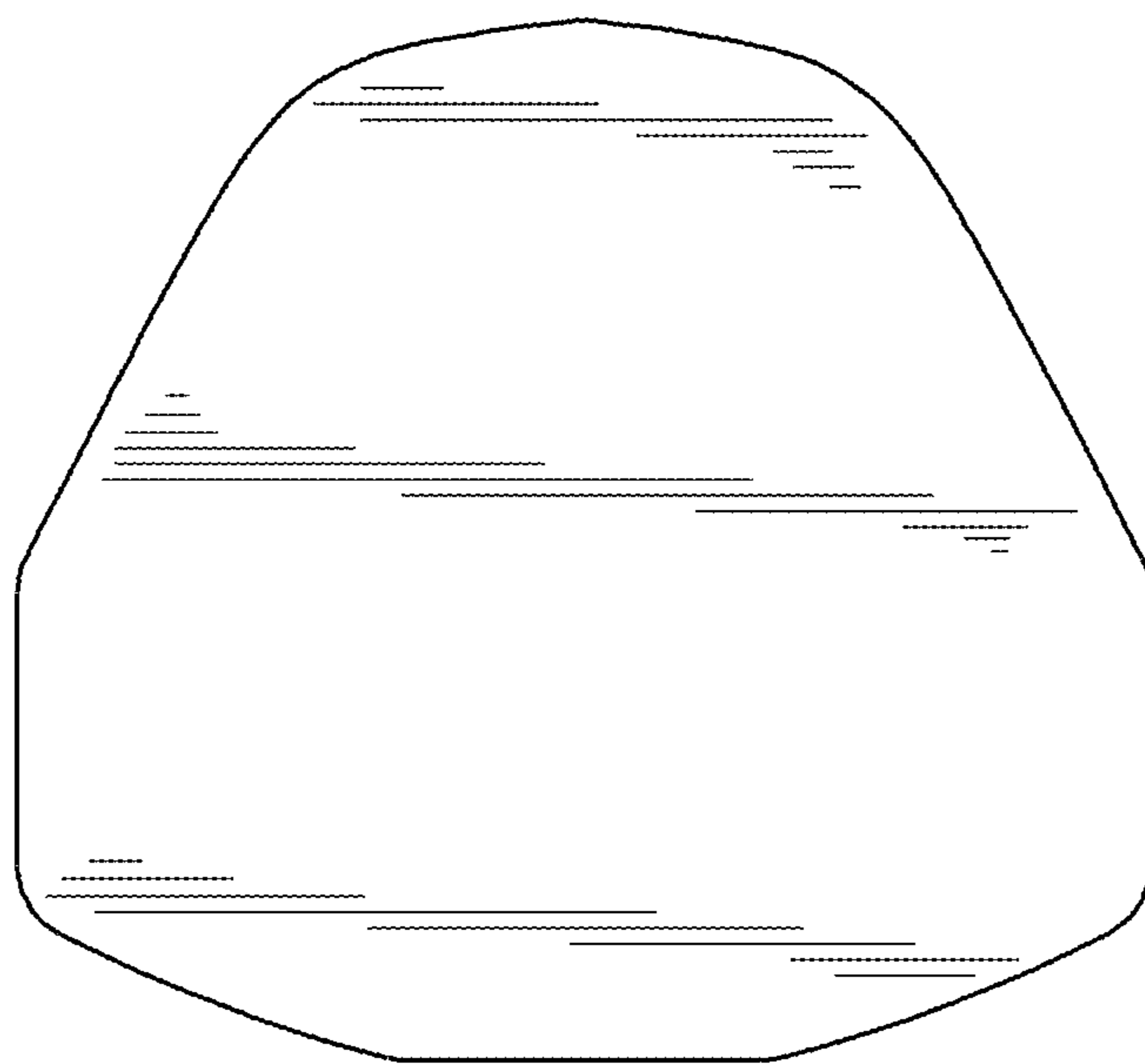


FIG. 3

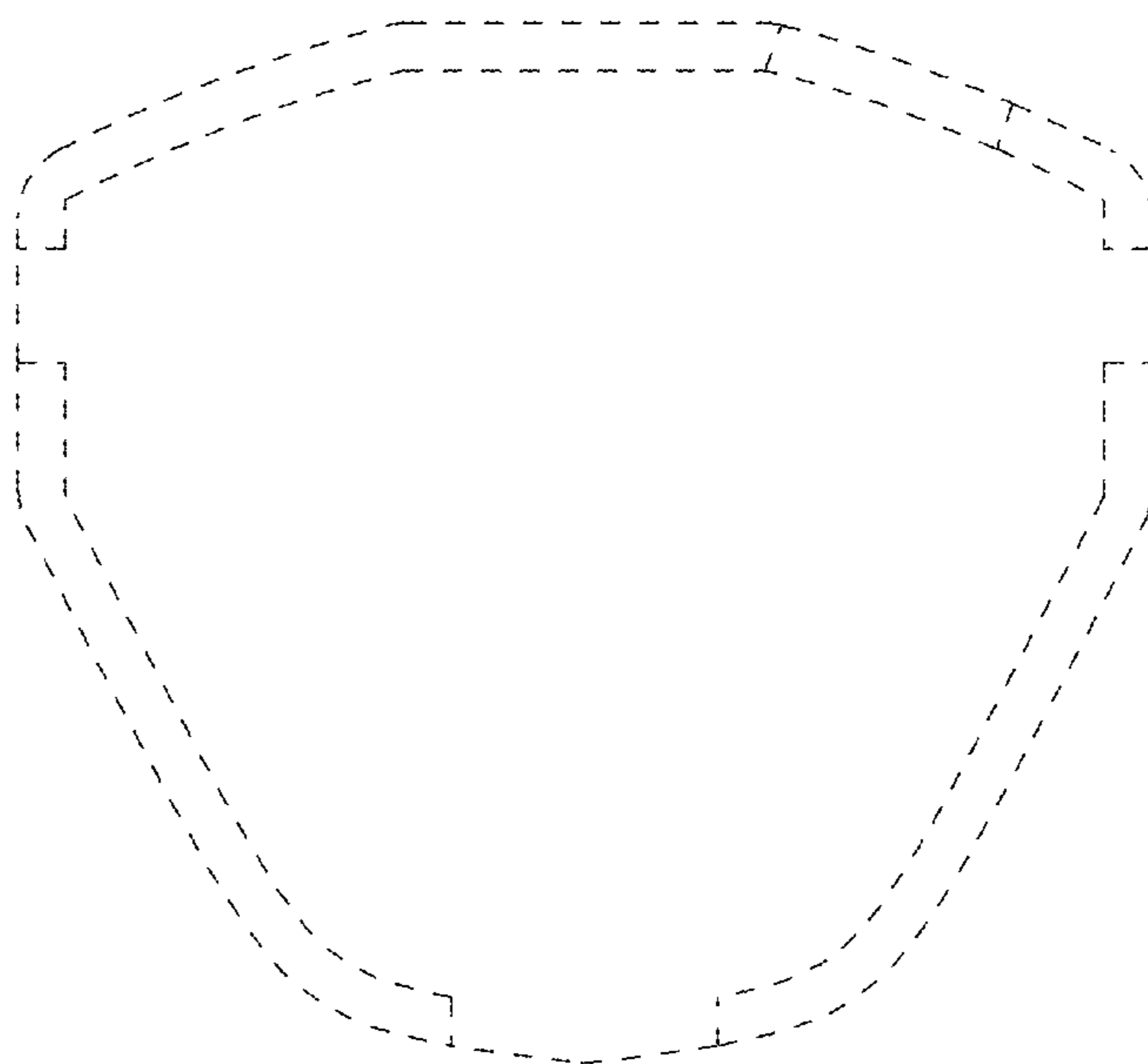


FIG. 4

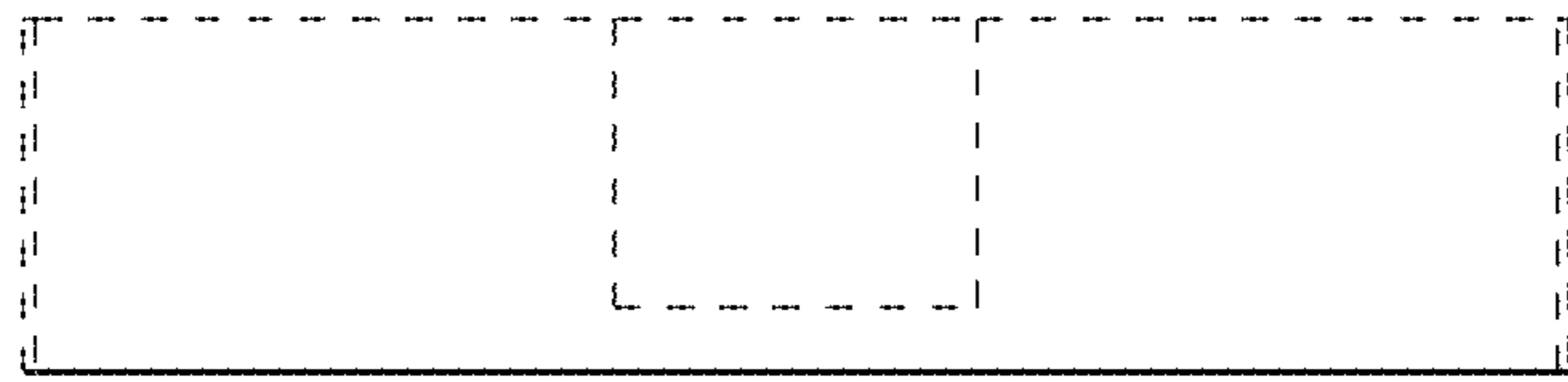


FIG. 5

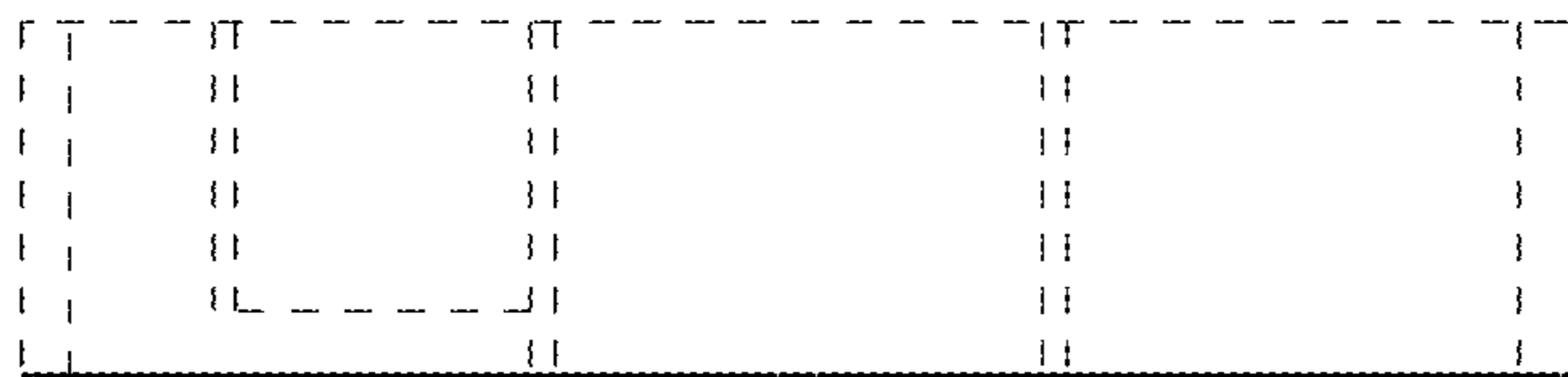


FIG. 6

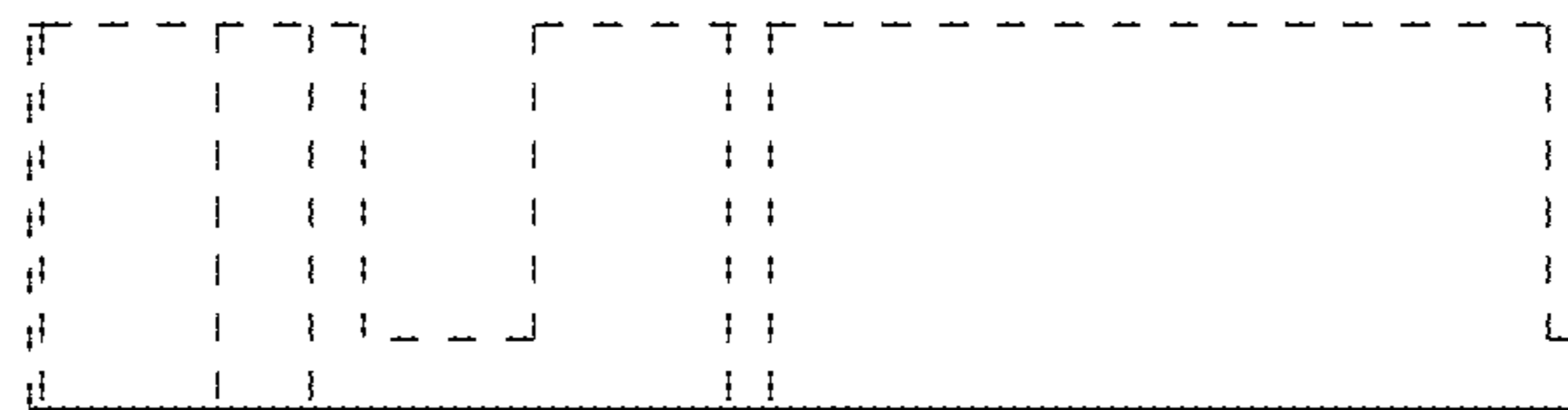


FIG. 7

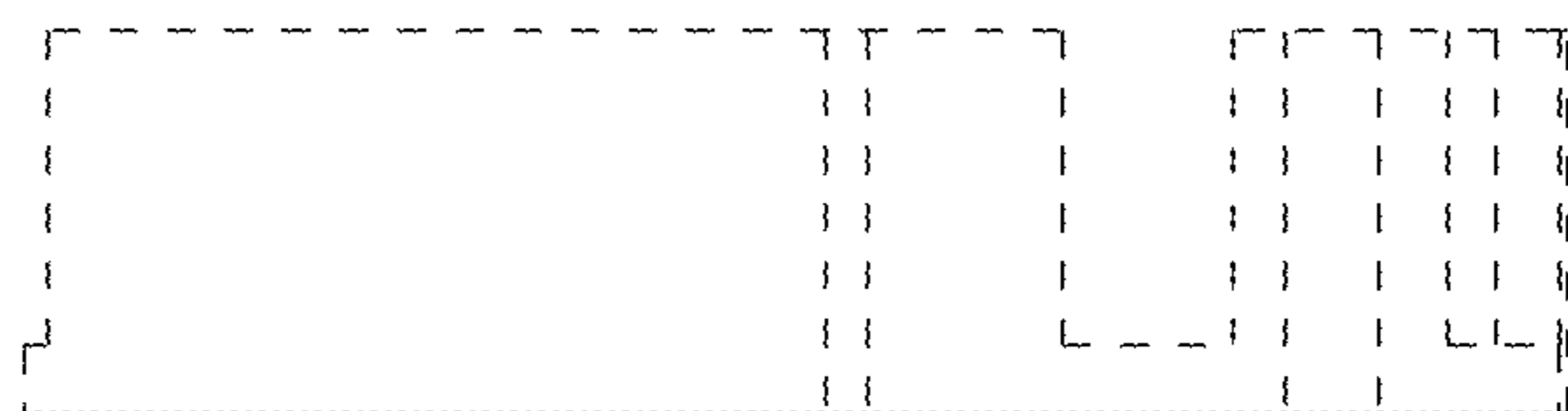


FIG. 8