



US00D773320S

(12) **United States Design Patent** (10) **Patent No.:** **US D773,320 S**
Belamich (45) **Date of Patent:** **** Dec. 6, 2016**

(54) **WATCH**

(71) Applicant: **Bell & Ross B.V.**, Zoertermeer (NL)

(72) Inventor: **Bruno Belamich**, Paris (FR)

(73) Assignee: **BELL & ROSS B.V.**, Zoertermeer (NL)

(**) Term: **15 Years**

(21) Appl. No.: **29/546,650**

(22) Filed: **Nov. 24, 2015**

Related U.S. Application Data

(62) Division of application No. 29/458,924, filed on Jun. 24, 2013, now Pat. No. Des. 748,999.

(30) **Foreign Application Priority Data**

- Apr. 17, 2013 (EM) 001367965-001
- Apr. 17, 2013 (EM) 001367965-002
- Apr. 17, 2013 (EM) 001367965-003
- Apr. 17, 2013 (EM) 001367965-004
- Apr. 17, 2013 (EM) 001367965-005
- Apr. 17, 2013 (EM) 001367965-006
- Apr. 17, 2013 (EM) 001367965-007
- Apr. 17, 2013 (EM) 001367965-008

(51) **LOC (10) Cl.** **10-02**

(52) **U.S. Cl.**
USPC **D10/38**

(58) **Field of Classification Search**
USPC D10/30-39, 1-29, 122-132
CPC G04B 10/00; G04B 19/18; G04B 19/24;
G04B 19/28; G04B 19/283; G04B 3/00;
G04B 3/045; G04B 37/00; G04B 37/0008;
G04B 37/0058; G04B 37/1486; G04B
45/00

See application file for complete search history.

(56) **References Cited**

U.S. PATENT DOCUMENTS

- 2,385,234 A * 9/1945 Schmitz G04B 3/045
368/288
- 2,852,908 A 9/1958 Stern et al.
- 3,512,353 A * 5/1970 Blum G04B 19/28
368/295
- 3,901,023 A * 8/1975 Uebelhardt G04B 37/1486
368/281
- D301,983 S 7/1989 Benoit-Pequignet et al.
- D397,042 S 8/1998 Riley
- D465,739 S 11/2002 Arabov
- D517,432 S 3/2006 Laucella
- D536,628 S 2/2007 Roth
- D537,371 S 2/2007 Belamich
- D566,585 S * 4/2008 Belamich D10/39
- D578,412 S 10/2008 Belamich

(Continued)

Primary Examiner — Sandra Snapp

(74) *Attorney, Agent, or Firm* — Volpe and Koenig, P.C.

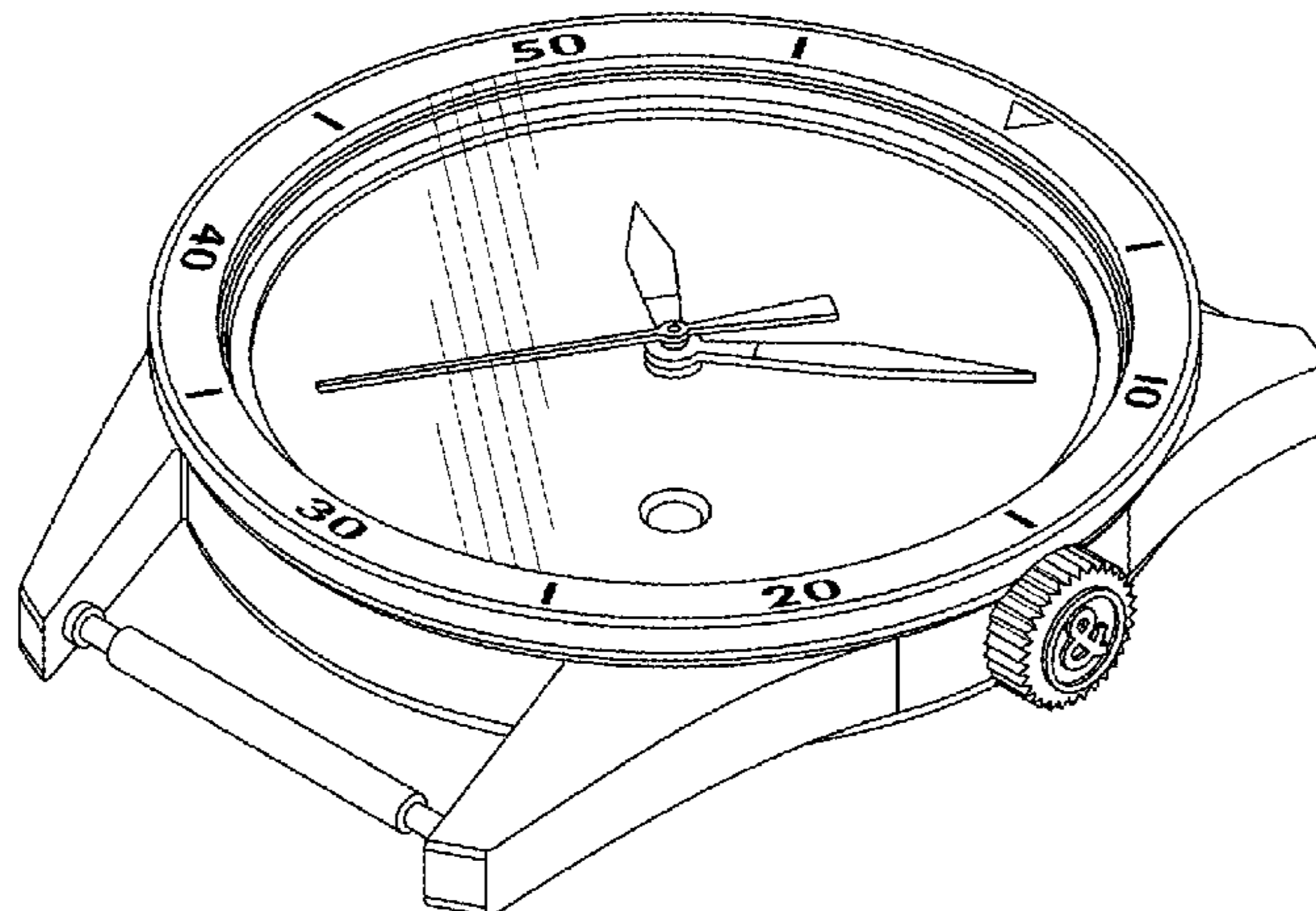
(57) **CLAIM**

The ornamental design for a watch, as shown and described.

DESCRIPTION

FIG. 1 is a right side view of the watch of my design;
FIG. 2 is a front view thereof;
FIG. 3 is a rear view thereof;
FIG. 4 is a top plan view thereof;
FIG. 5 is a left side view thereof;
FIG. 6 is a bottom view thereof; and,
FIG. 7 is a top perspective view thereof.
The structural features depicted by broken lines in FIG. 6 are shown for the purpose of illustrating portions of the watch that form no part of the claimed design.

1 Claim, 3 Drawing Sheets



(56)

References Cited

U.S. PATENT DOCUMENTS

D581,814 S *	12/2008	Baer	D10/38
D588,025 S	3/2009	Belamich	
D594,352 S	6/2009	Belamich	
D601,043 S *	9/2009	Belamich	D10/39
D692,778 S *	11/2013	Duport	D10/39
D748,999 S *	2/2016	Belamich	D10/126
2013/0201804 A1 *	8/2013	Bertrand	G04B 19/283 368/281
2014/0139486 A1 *	5/2014	Mistry	G06F 3/0304 345/175

* cited by examiner

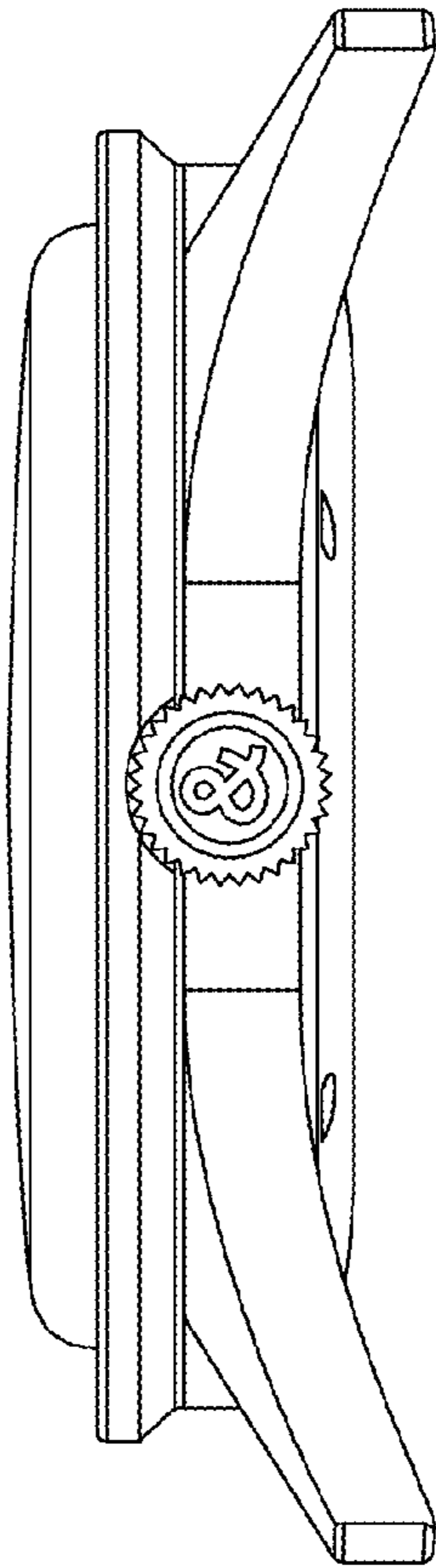


FIG. 1

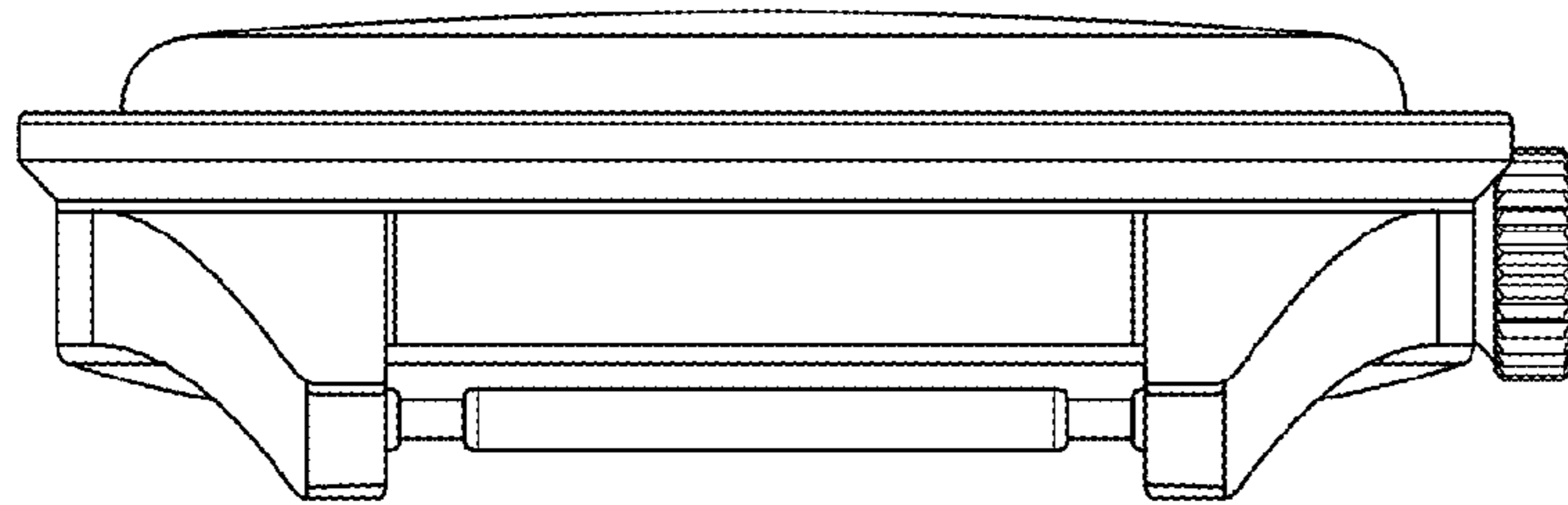


FIG. 2

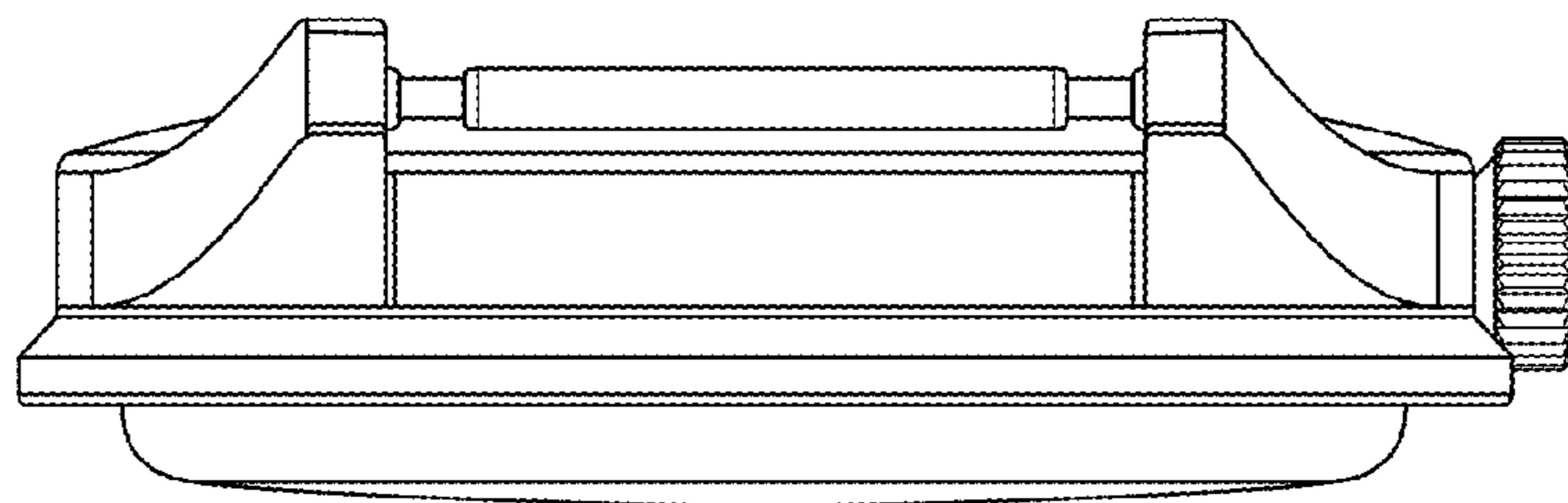


FIG. 3

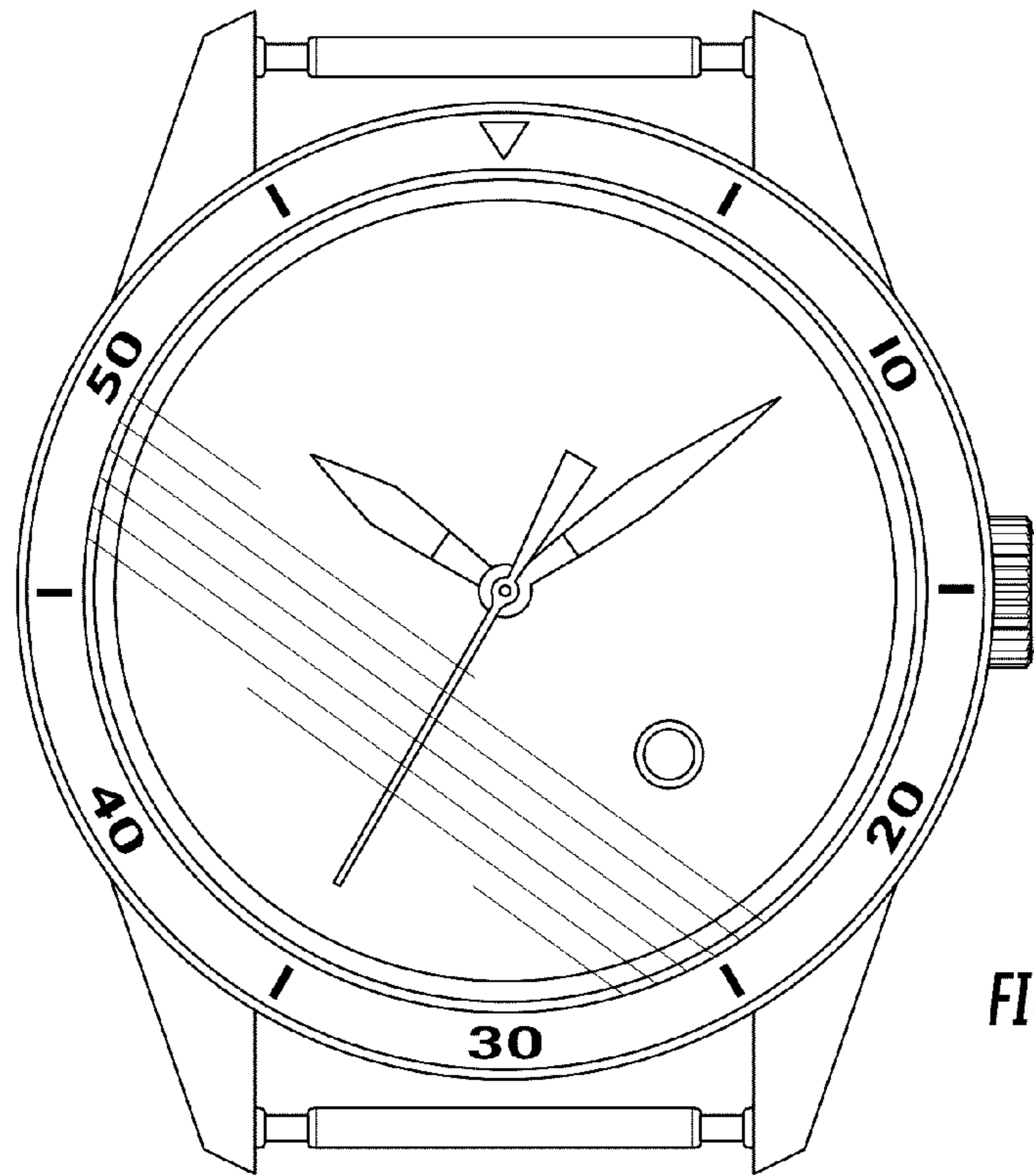


FIG. 4

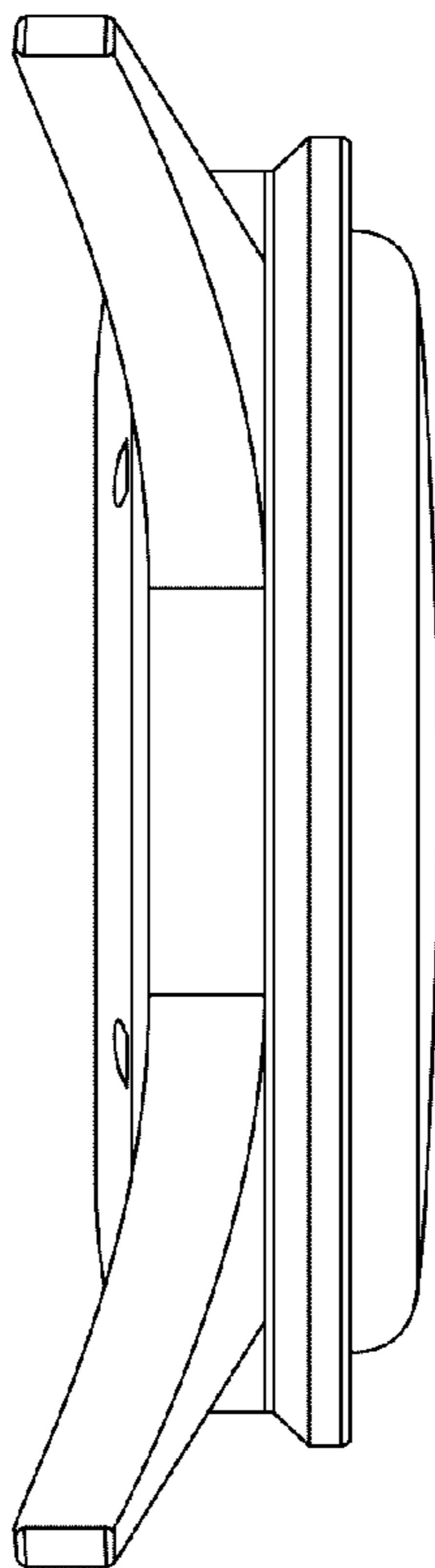


FIG. 5

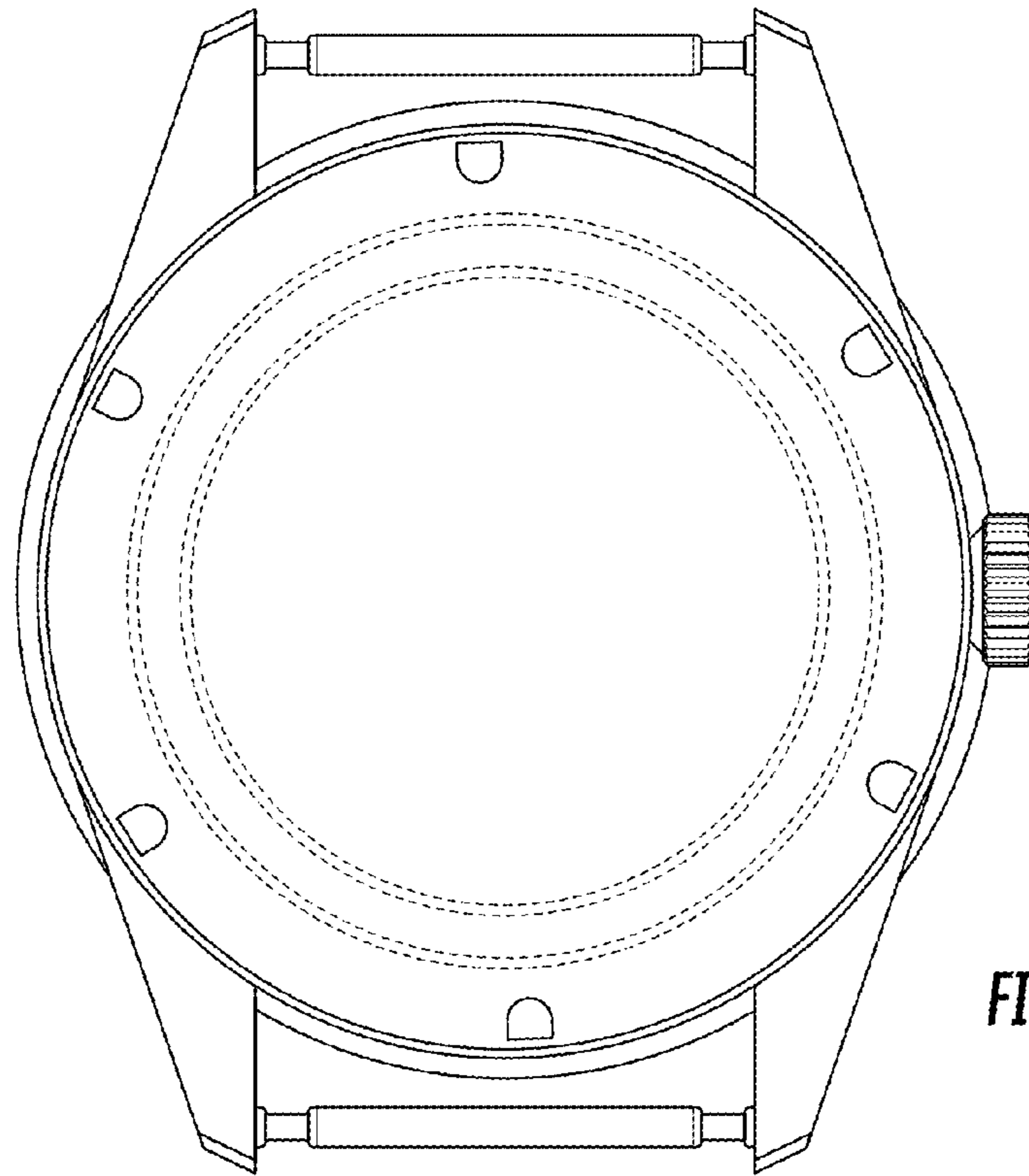


FIG. 6

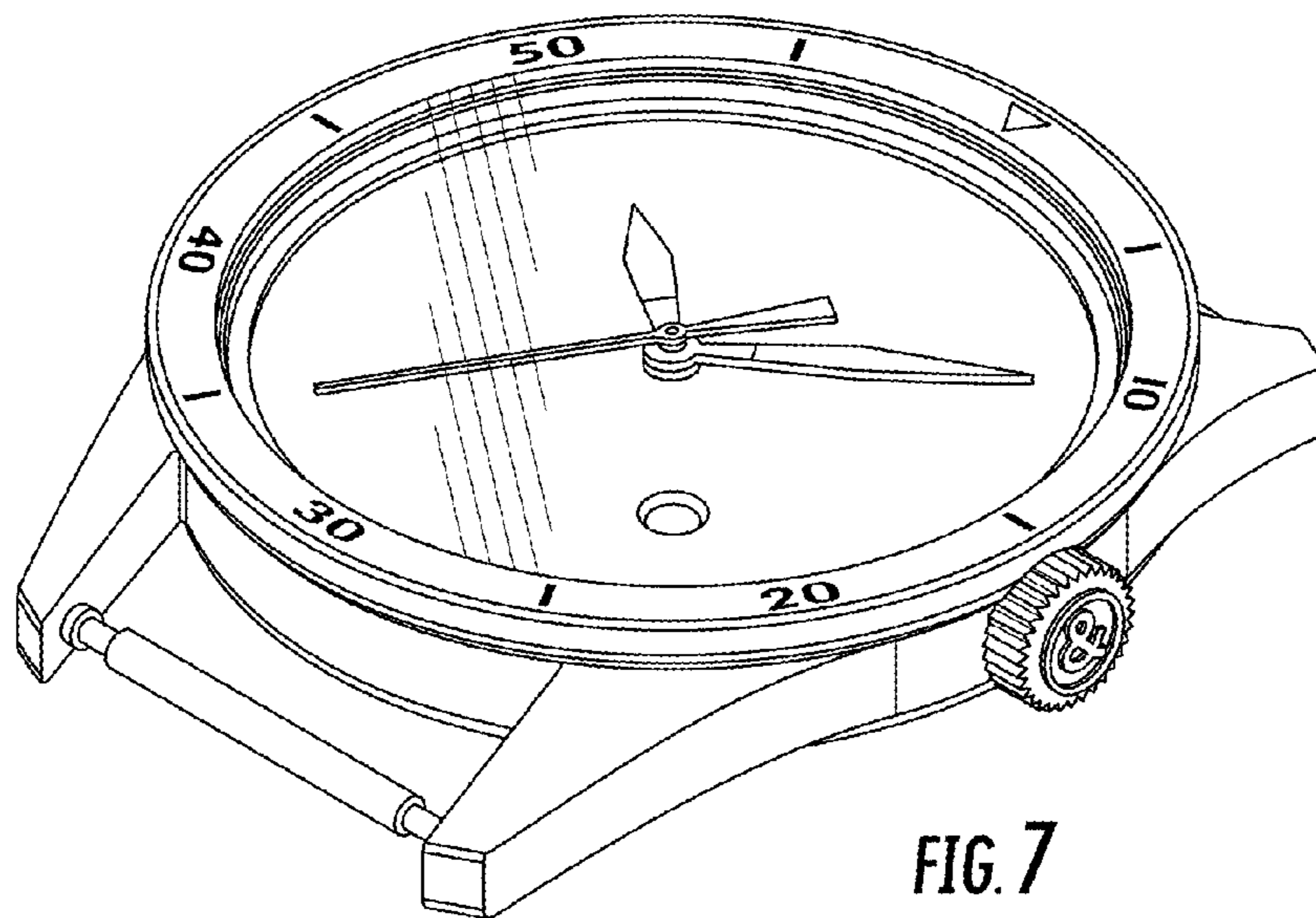


FIG. 7