



US00D773318S

(12) **United States Design Patent** (10) **Patent No.:** **US D773,318 S**  
**Wong** (45) **Date of Patent:** **\*\* Dec. 6, 2016**

(54) **WATCH BRACELET**  
(71) Applicant: **Timexpose International Ltd**, Hong Kong (HK)  
(72) Inventor: **Wai Kuen Wong**, Hong Kong (HK)  
(73) Assignee: **Timexpose International Ltd**, Hong Kong (HK)

D611,843 S \* 3/2010 Jorst ..... D10/39  
D634,651 S \* 3/2011 Jorst ..... D10/39  
D657,697 S \* 4/2012 Lammers-Meis ..... D10/31  
D661,206 S \* 6/2012 Register ..... D10/38  
D749,965 S \* 2/2016 Lutgen ..... D10/126  
D751,926 S \* 3/2016 Lutgen ..... D10/126  
2008/0049562 A1 \* 2/2008 Andren ..... G04B 19/283  
368/295

\* cited by examiner

(\*\*) Term: **14 Years**  
(21) Appl. No.: **29/522,735**  
(22) Filed: **Apr. 2, 2015**

*Primary Examiner* — Susan Bennett Hattan  
*Assistant Examiner* — Jennifer Wright

(30) **Foreign Application Priority Data**

Oct. 8, 2014 (HK) ..... 1401881

(51) **LOC (10) Cl.** ..... **10-02**

(52) **U.S. Cl.**  
USPC ..... **D10/32**

(58) **Field of Classification Search**  
USPC ..... D11/3; D10/30-39, 1-29, 122-132;  
368/21, 28, 80, 223, 228, 232, 276,  
368/277, 281, 282, 285, 294, 295, 308, 316,  
368/317, 319

CPC .. G04B 19/10; G04B 37/00; G04B 37/0008;  
G04B 37/0058; G04B 37/1486; G04B 45/00;  
G04B 45/0069; G04B 45/0076

See application file for complete search history.

(56) **References Cited**

**U.S. PATENT DOCUMENTS**

D426,486 S \* 6/2000 Kubo ..... D11/1  
D540,695 S \* 4/2007 Leung ..... D10/31  
D586,674 S \* 2/2009 Solarewicz ..... D10/32  
D610,922 S \* 3/2010 Lammers-Meis ..... D10/31

(57) **CLAIM**

The ornamental design for a watch bracelet, as shown and described.

**DESCRIPTION**

FIG. 1 is a front elevational view of a watch bracelet showing my new design;

FIG. 2 is a rear elevational view thereof;

FIG. 3 is a top plan view thereof;

FIG. 4 is a bottom plan view thereof;

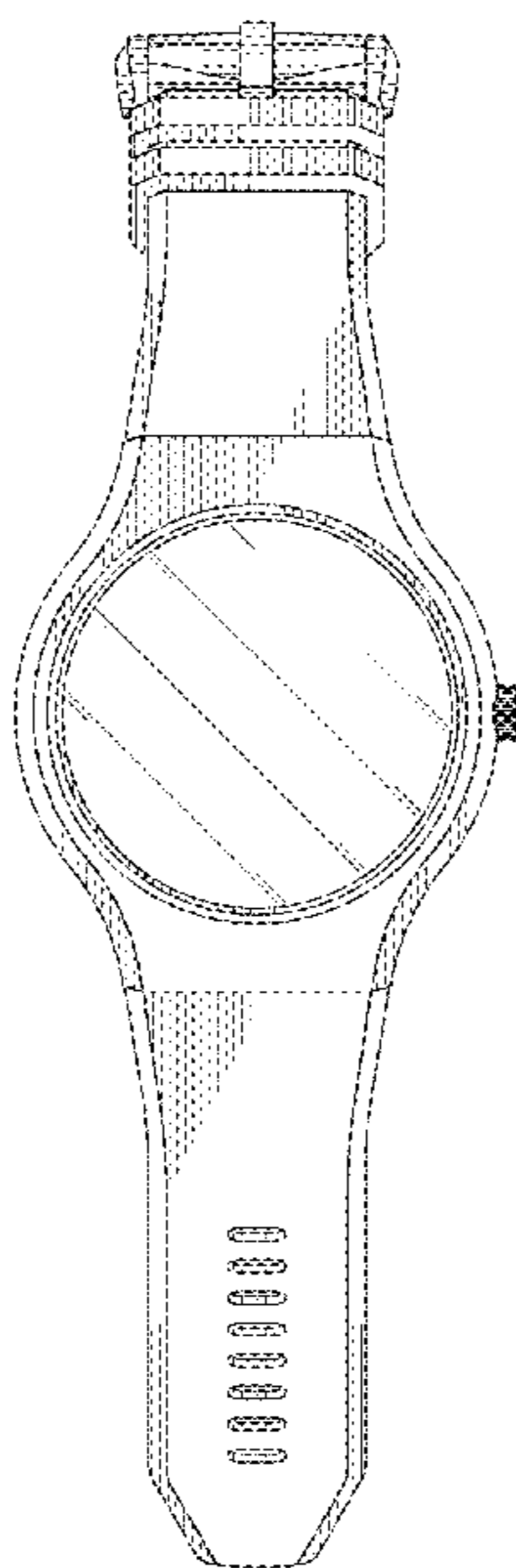
FIG. 5 is a left side view thereof;

FIG. 6 is a right side view thereof;

FIG. 7 is a first perspective view thereof; and,

FIG. 8 is a second perspective view thereof.

**1 Claim, 6 Drawing Sheets**



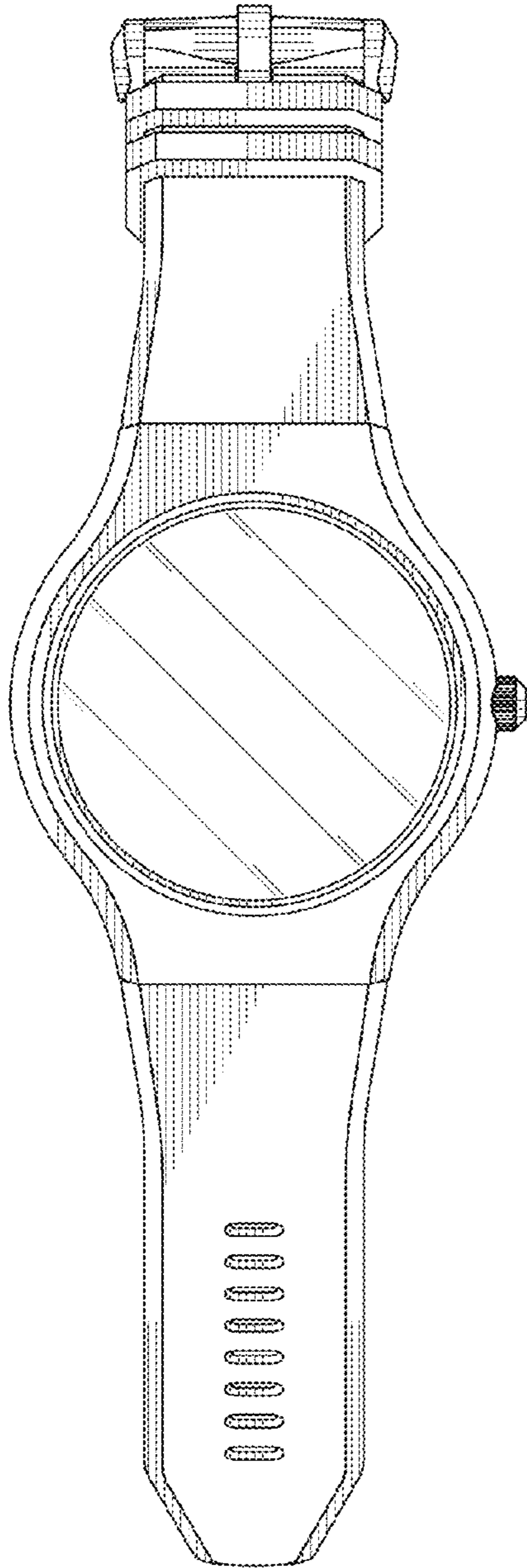


Fig. 1

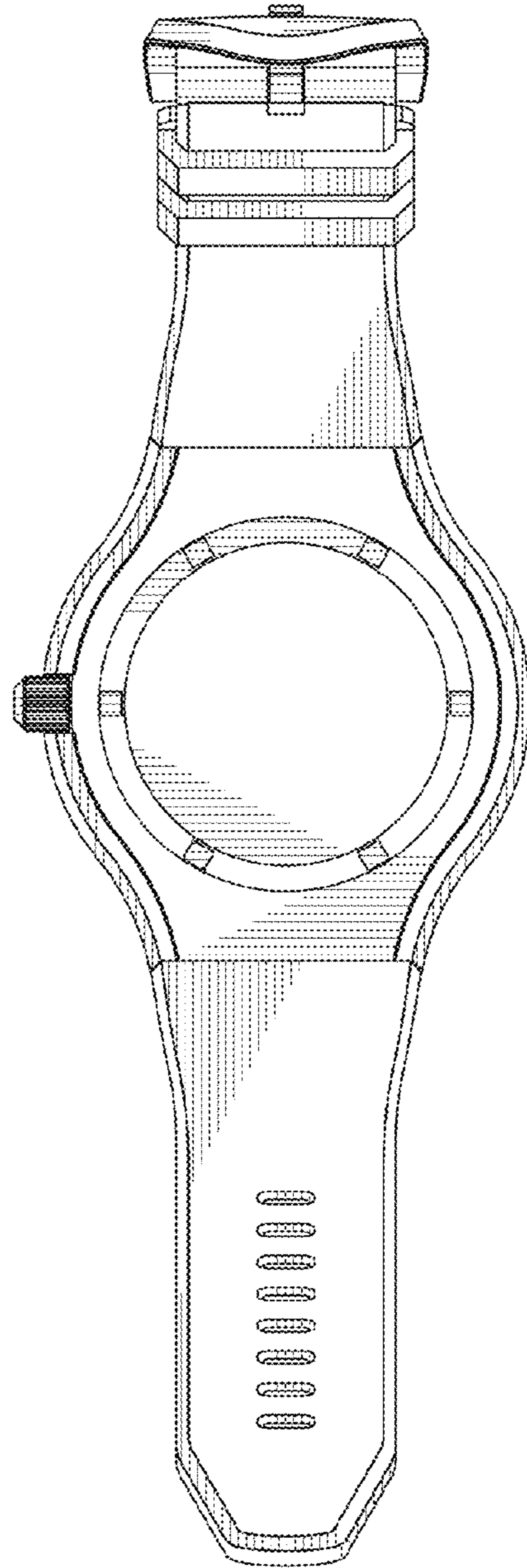


Fig. 2

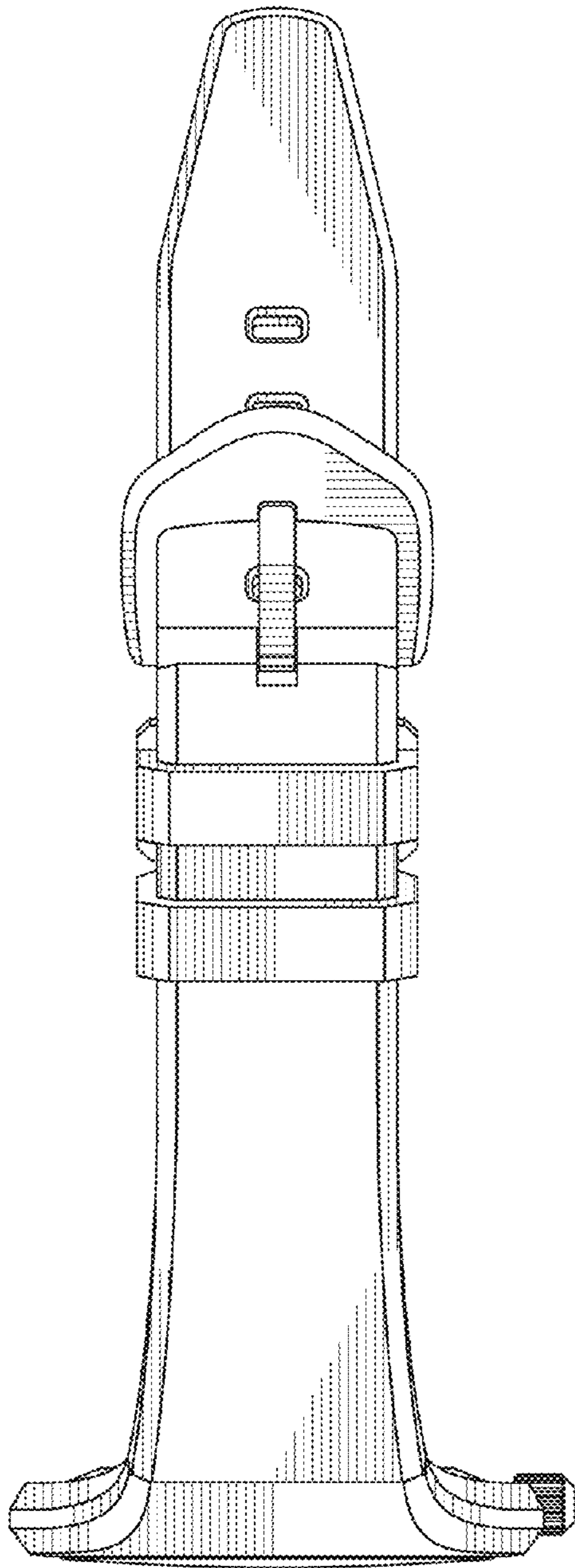


Fig. 3

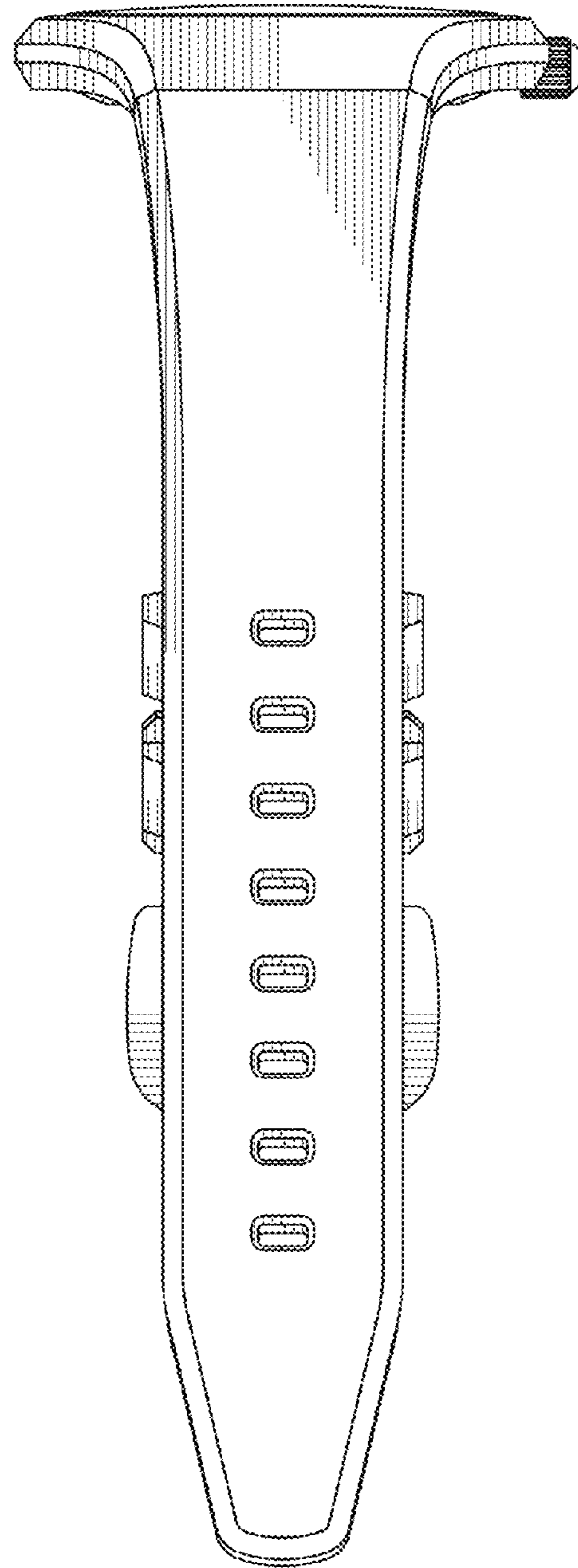


Fig. 4

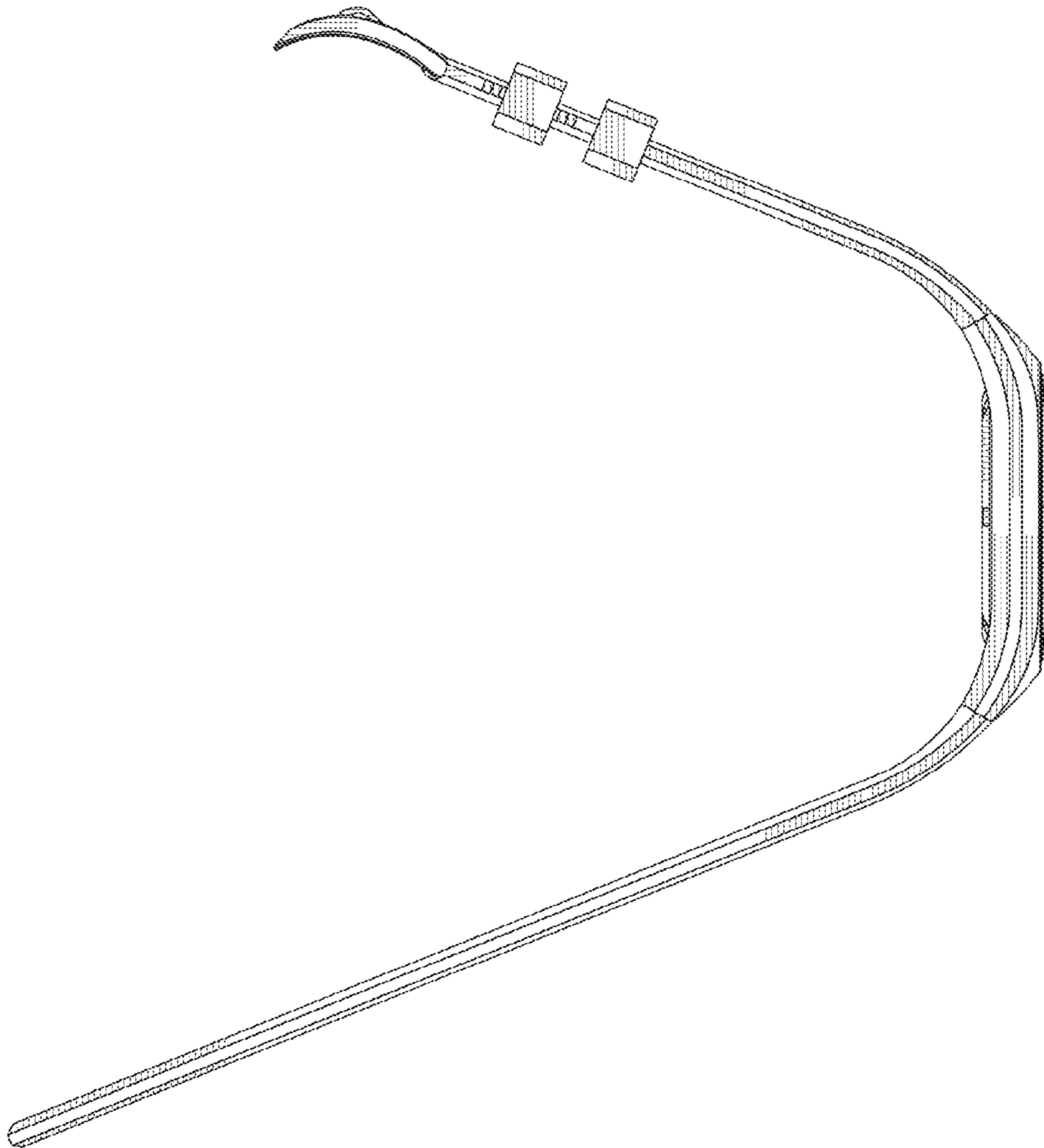


Fig. 5

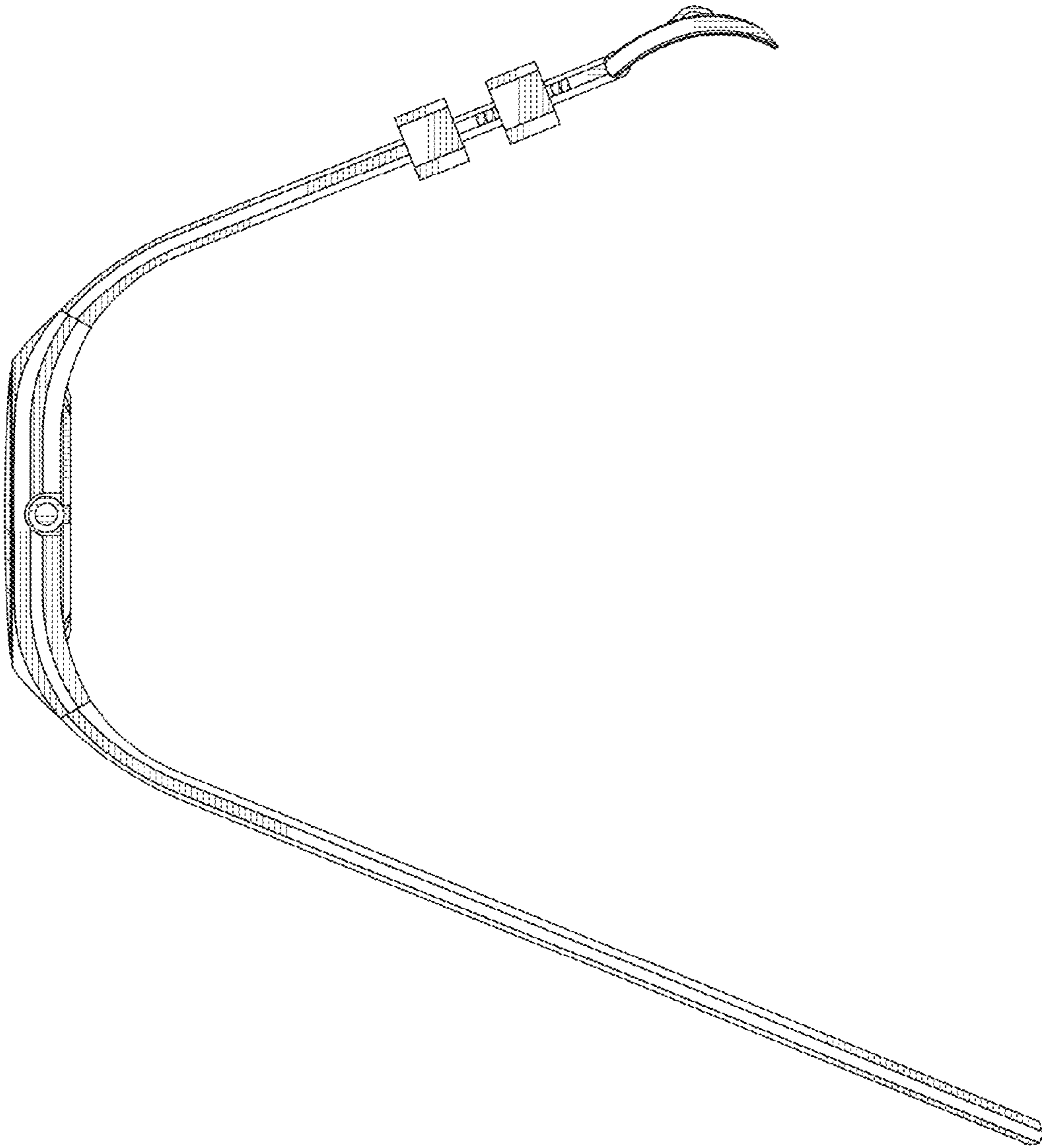


Fig. 6

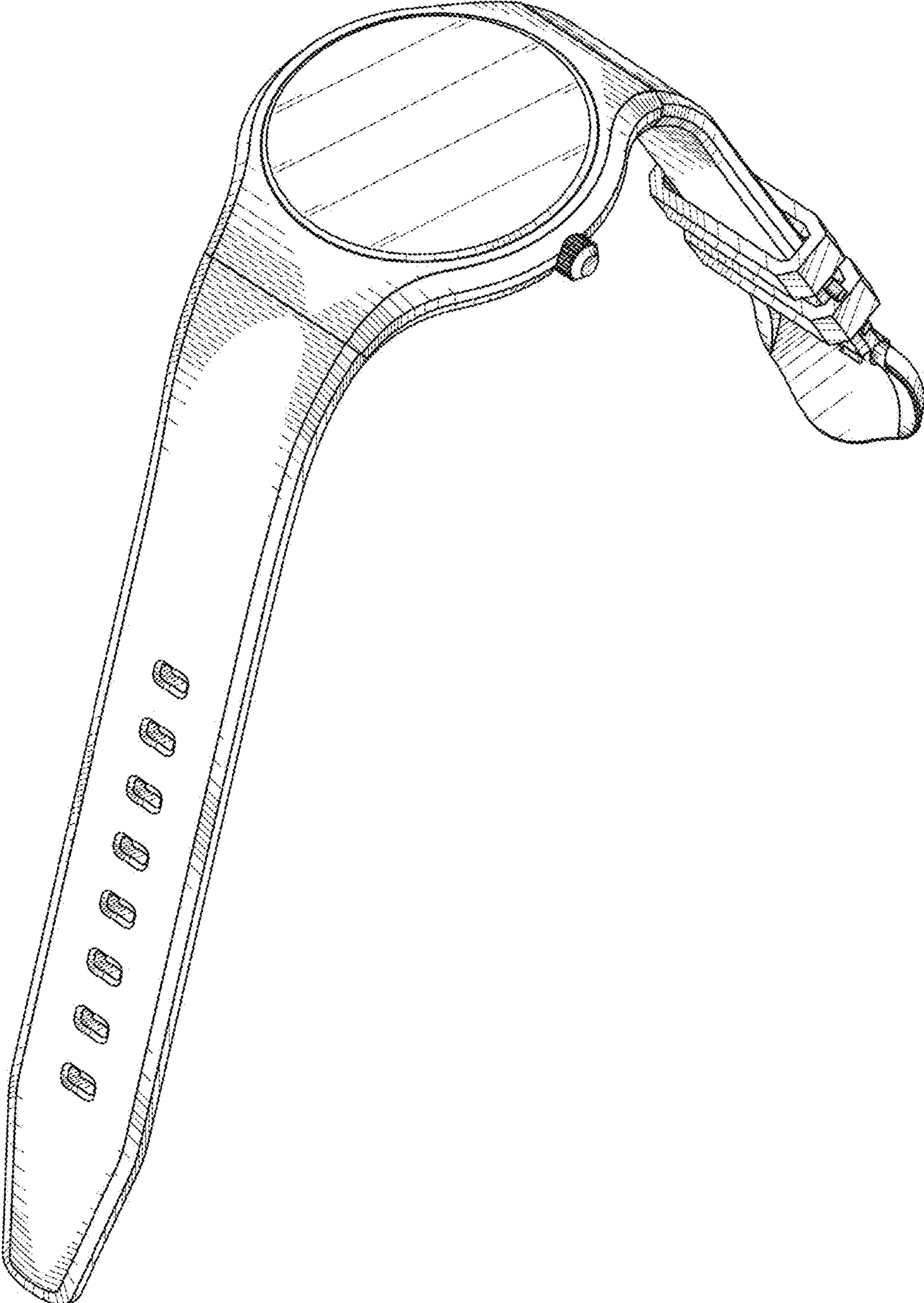


Fig. 7

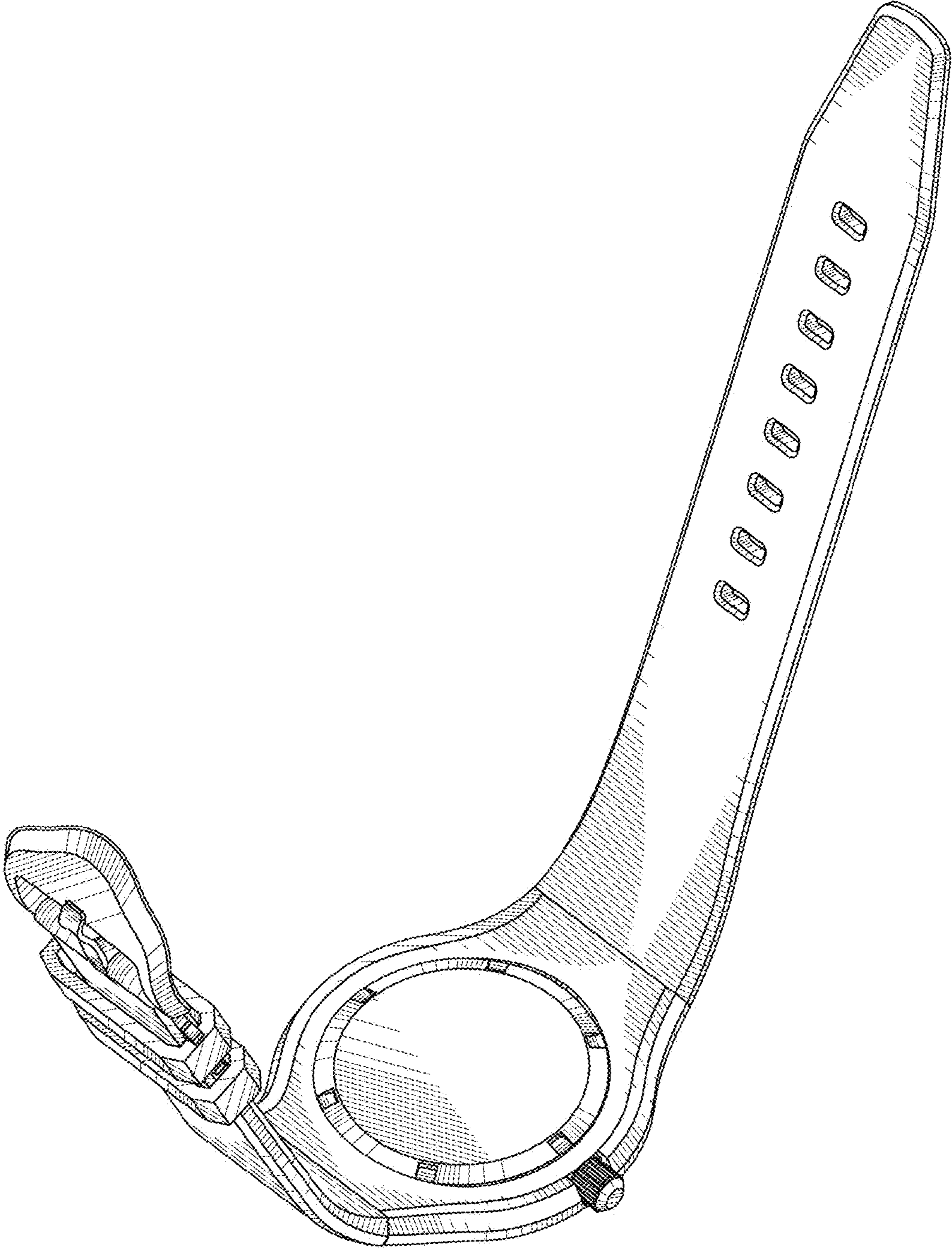


Fig. 8