



US00D773316S

(12) **United States Design Patent** (10) **Patent No.:** **US D773,316 S**  
**Liu** (45) **Date of Patent:** **\*\* Dec. 6, 2016**

(54) **SUPPLYING CONTAINER DEVICE**

(71) Applicant: **CANAMERICA, LLC**, Brookline, MA (US)

(72) Inventor: **Chun Chin Liu**, Brookline, MA (US)

(\*\*) Term: **14 Years**

(21) Appl. No.: **29/495,696**

(22) Filed: **Jul. 3, 2014**

(51) **LOC (10) Cl.** ..... **09-01**

(52) **U.S. Cl.**

USPC ..... **D9/740**; D9/747; D9/741; D9/738

(58) **Field of Classification Search**

USPC ..... D9/749, 741, 743, 746, 747, 738, 516, D9/573-575, 571, 524, 684, 687, 694, 737; 215/381-385, 396, 398; 220/23.4

CPC ..... B65D 1/0223; B65D 1/02; B65D 1/04; B65D 1/0246; B65D 1/40; B65D 2507/0081; B65D 2507/0036; B65D 2507/0027; B65D 21/0201; B65D 21/0205; B65D 25/38; B65D 69/00; B65D 23/00

See application file for complete search history.

(56) **References Cited**

**U.S. PATENT DOCUMENTS**

D292,373 S *	10/1987	Costa	.....	D9/524
D294,122 S *	2/1988	Weber	.....	D9/571
D298,991 S *	12/1988	Stanley	.....	D6/544
D301,546 S *	6/1989	McCallister	.....	D9/747
4,949,861 A *	8/1990	Cochran	.....	B65D 1/0223 215/382
D327,639 S *	7/1992	Burnsed	.....	D9/560
D346,334 S *	4/1994	Ahlsvik	.....	D9/548

D363,028 S *	10/1995	Mansau	.....	D9/570
D394,805 S *	6/1998	Kafzan	.....	D9/524
D407,306 S *	3/1999	Saab	.....	D7/701
D423,370 S *	4/2000	Lewin	.....	D9/516
D505,080 S *	5/2005	Cagle	.....	D9/571
D522,872 S *	6/2006	Lascaux	.....	D9/544
D555,498 S *	11/2007	Bansal	.....	D9/558
D569,737 S *	5/2008	Ogawa	.....	D9/738
D569,738 S *	5/2008	Ogawa	.....	D9/738
D579,348 S *	10/2008	Piccinino, Jr.	.....	D9/741
D579,787 S *	11/2008	Weggelaar	.....	D9/741
D580,787 S *	11/2008	Weggelaar	.....	D9/740
D590,721 S *	4/2009	Martinez De San Vicente	.....	D9/520
D593,875 S *	6/2009	Gaultier	.....	D9/741
D674,704 S *	1/2013	Baussen	.....	D9/566
D678,776 S *	3/2013	Lecetre	.....	D9/544
D680,004 S *	4/2013	Lecetre	.....	D9/544
D701,769 S *	4/2014	Eble	.....	D9/520
D735,047 S *	7/2015	Kim	.....	D9/571
2016/0001924 A1 *	1/2016	Liu	.....	B65D 21/0201 220/23.4

\* cited by examiner

*Primary Examiner* — Mark Goodwin

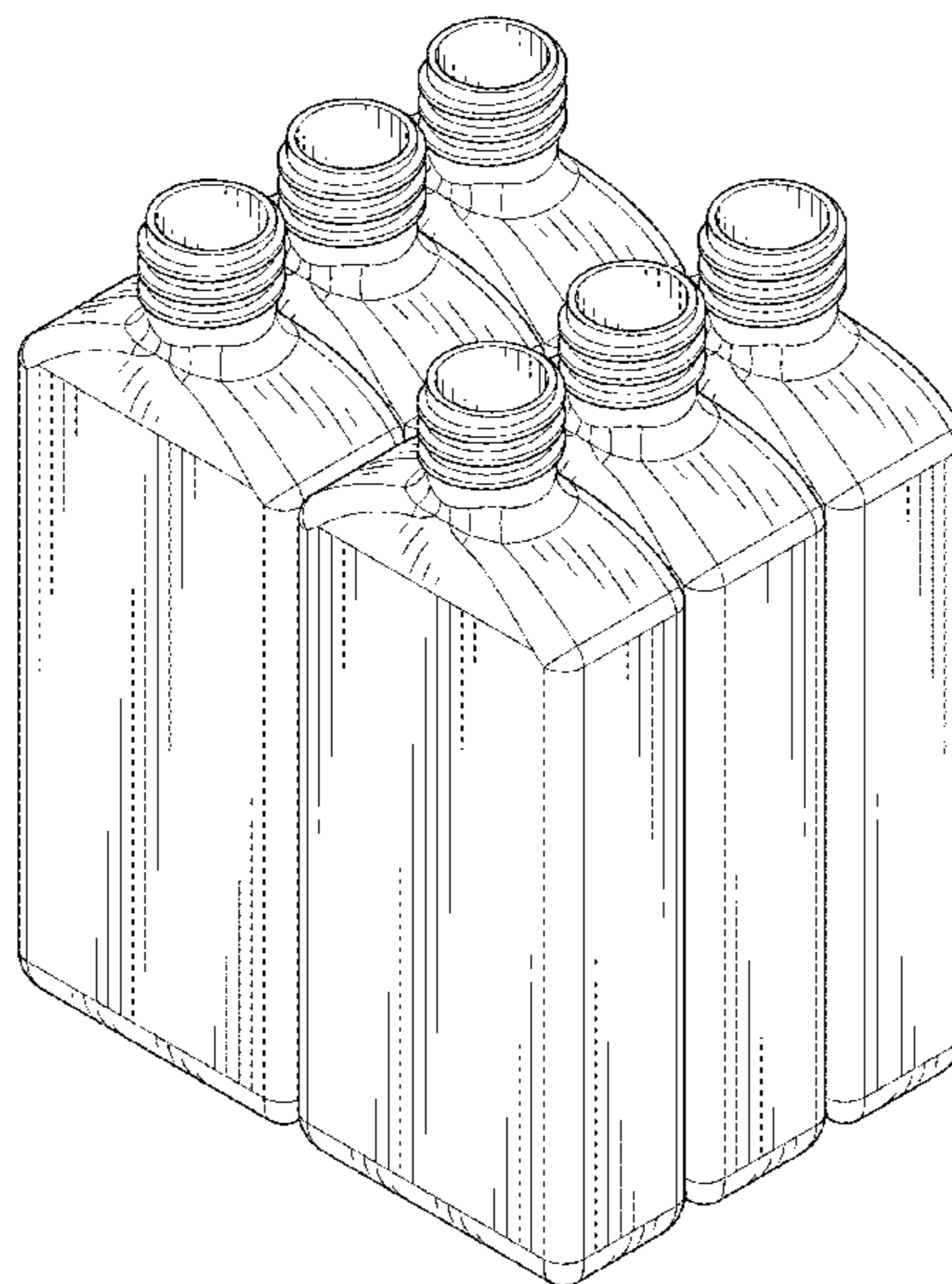
(57) **CLAIM**

The ornamental design for a supplying container device, as shown and described.

**DESCRIPTION**

FIG. 1 is a perspective view of a supplying container device showing our new design;  
FIG. 2 is a front view thereof;  
FIG. 3 is a rear view thereof;  
FIG. 4 is a left side view thereof;  
FIG. 5 is a right side view thereof;  
FIG. 6 is a top view thereof; and,  
FIG. 7 is a bottom view thereof.

**1 Claim, 7 Drawing Sheets**



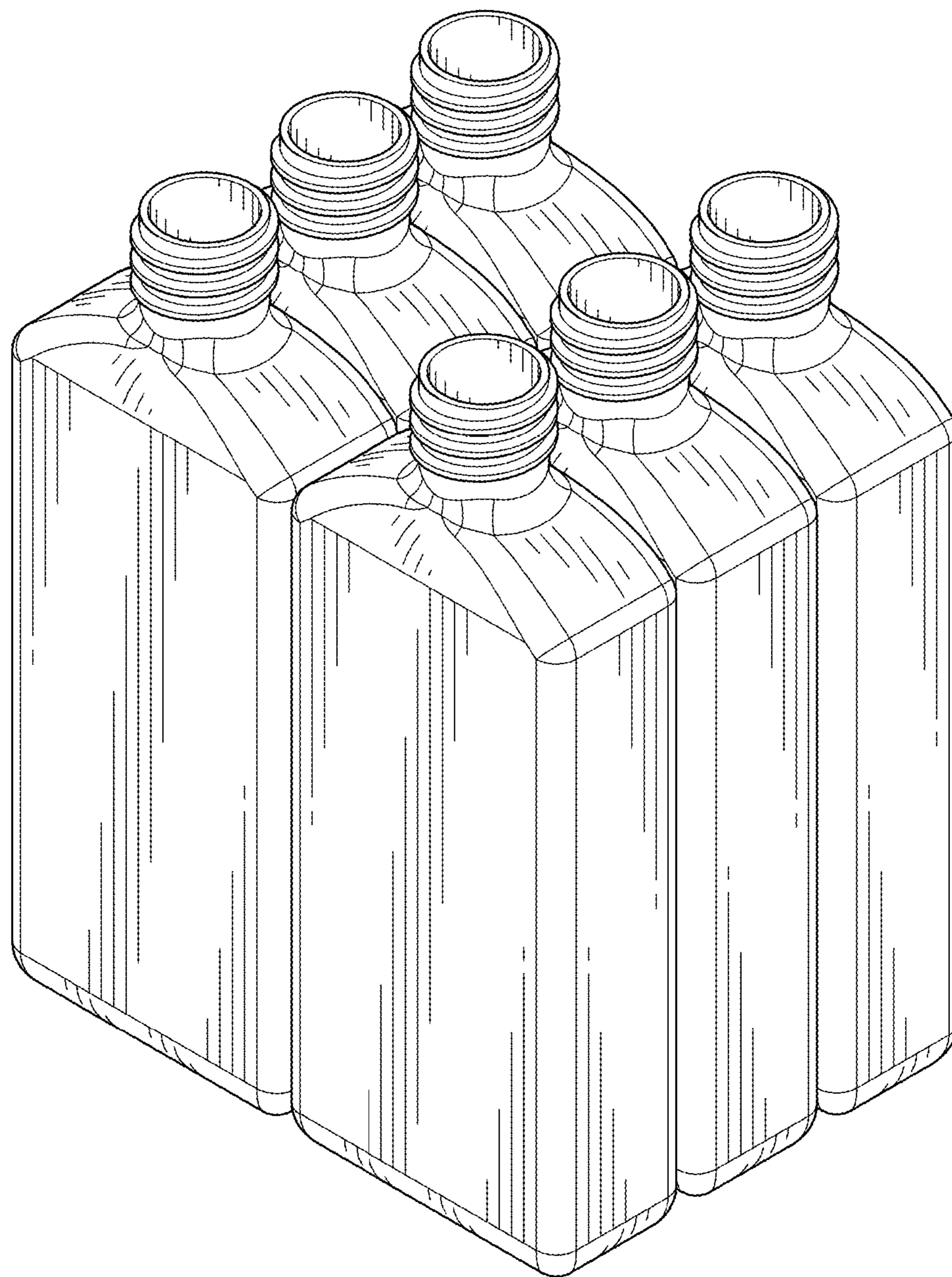


FIG.1

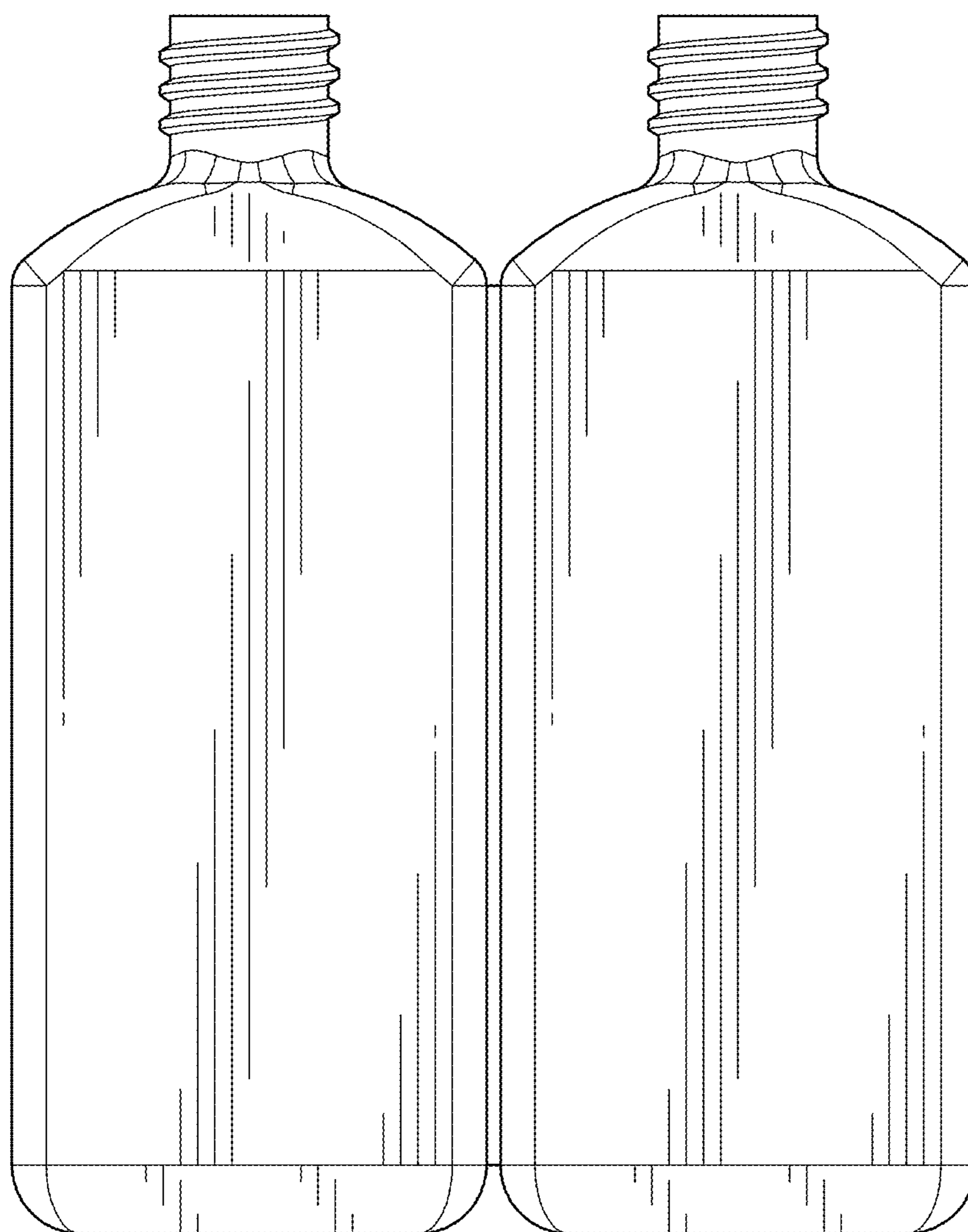


FIG.2

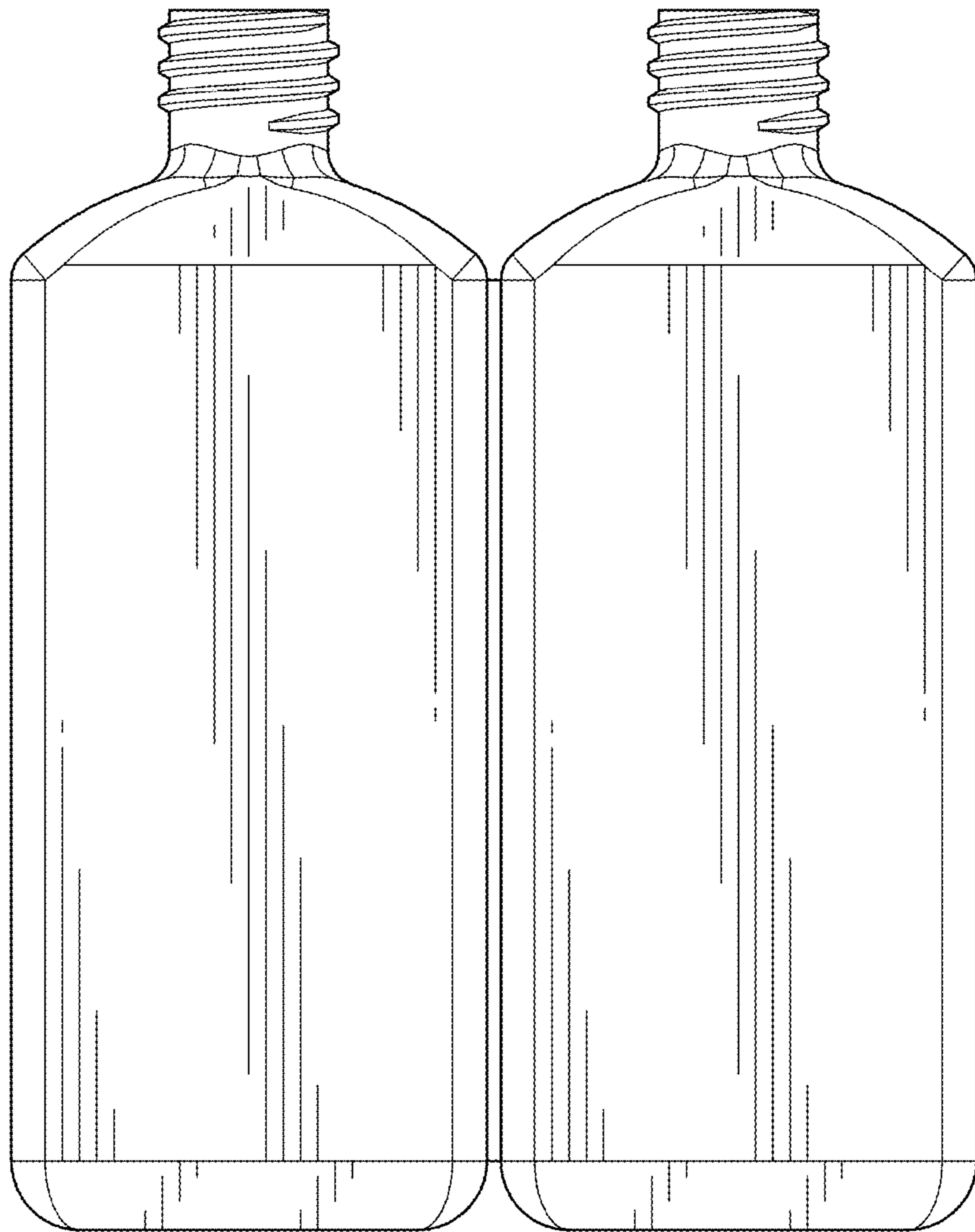


FIG.3

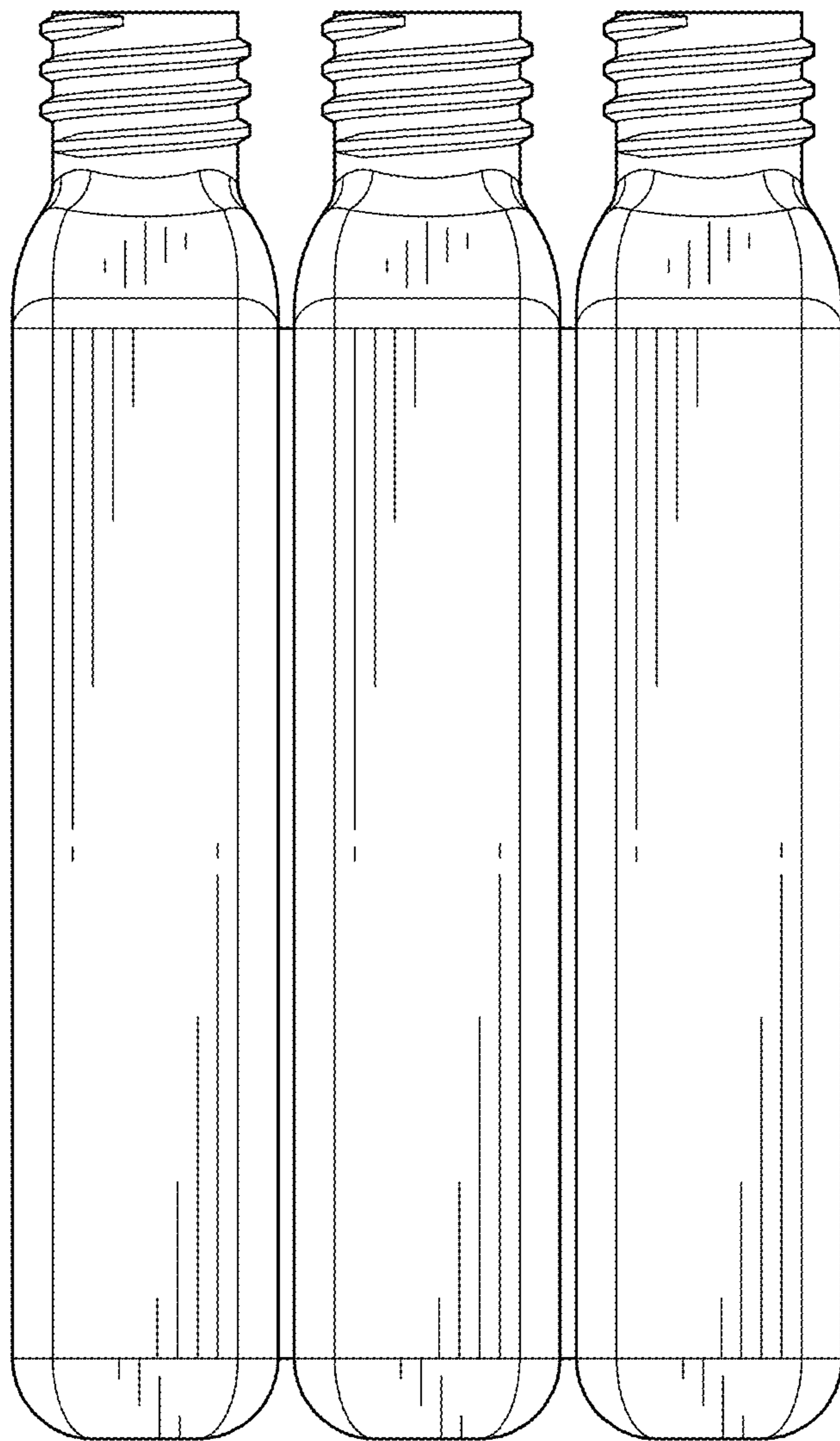


FIG.4

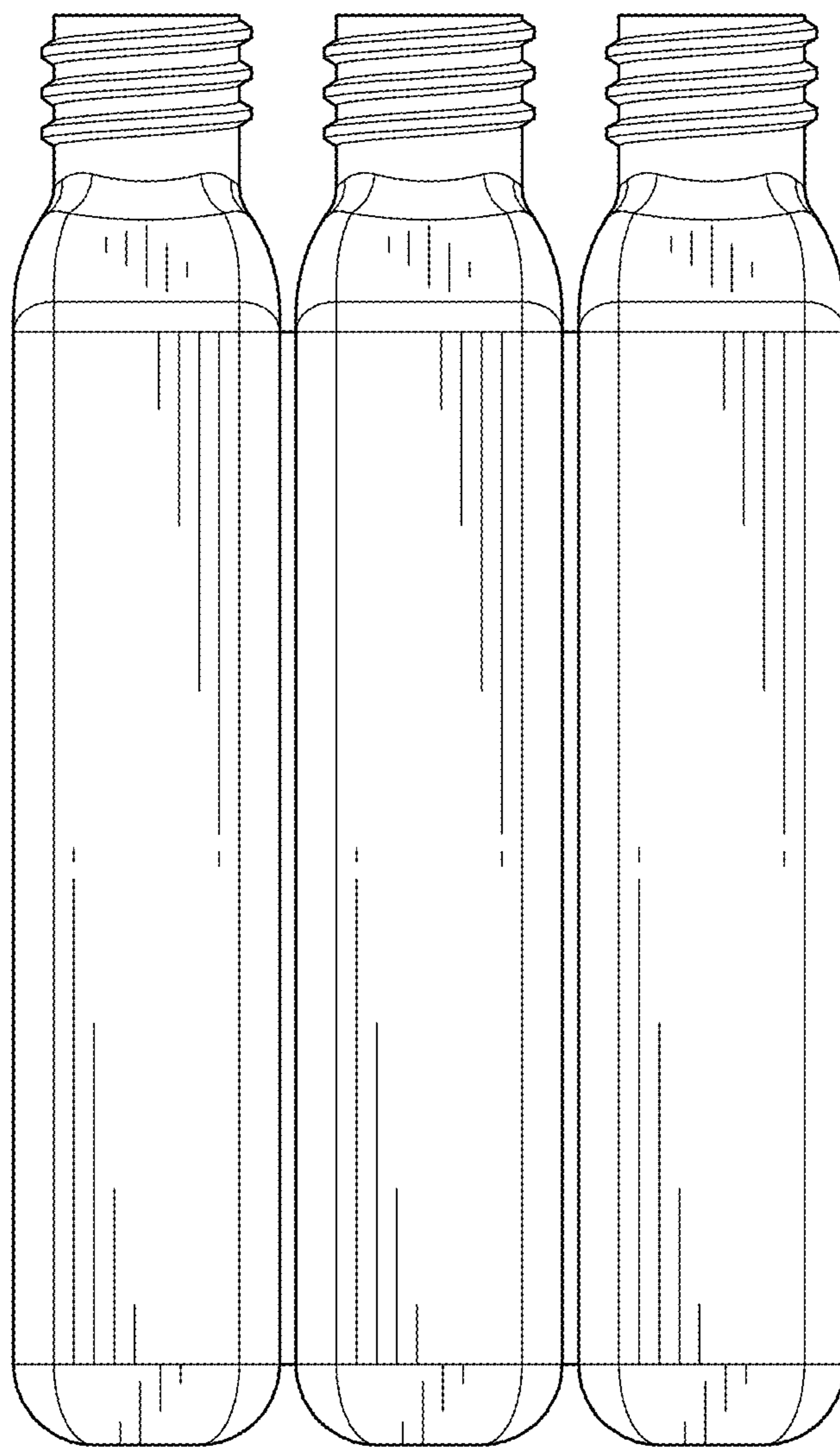


FIG.5

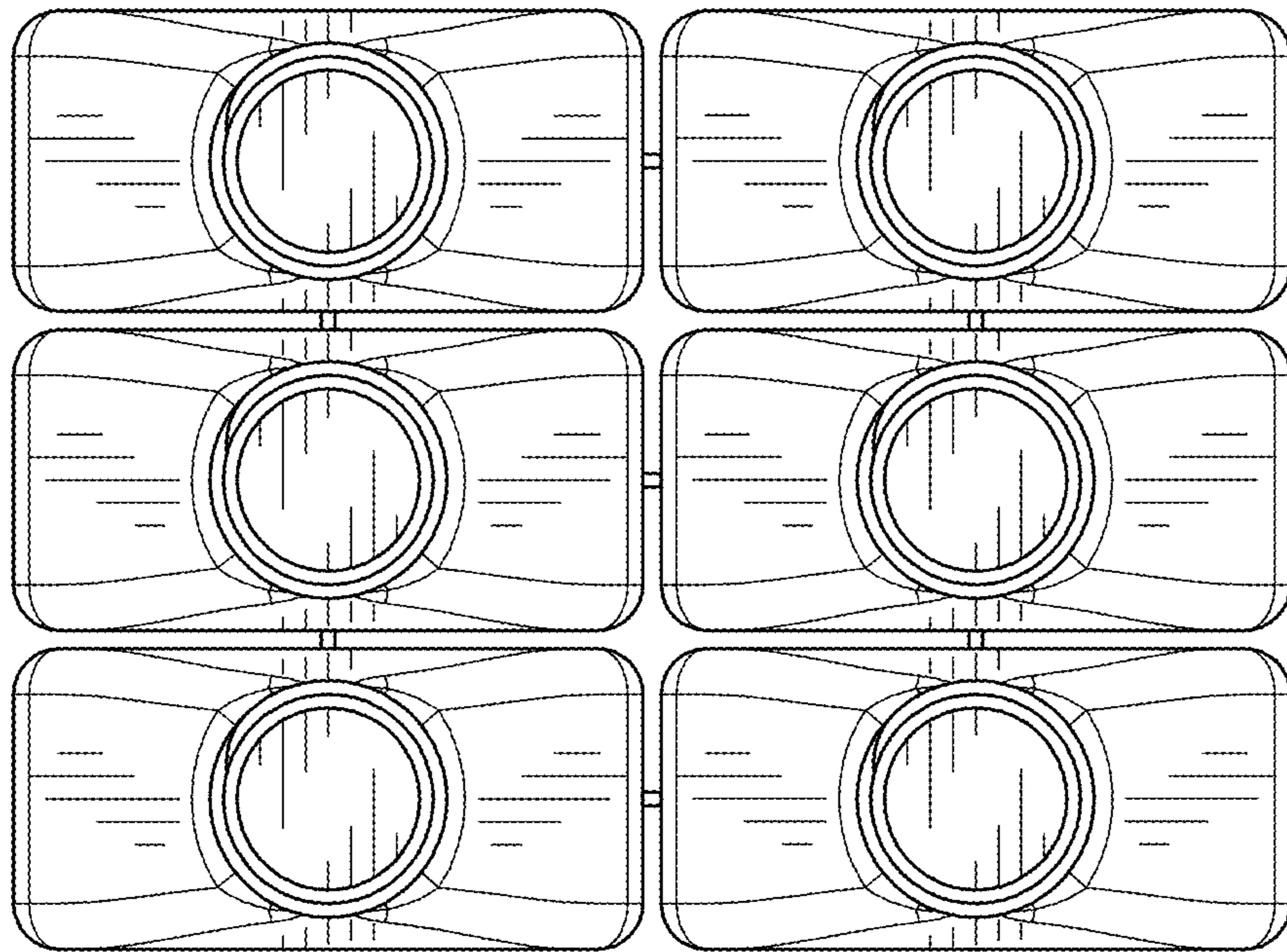


FIG.6

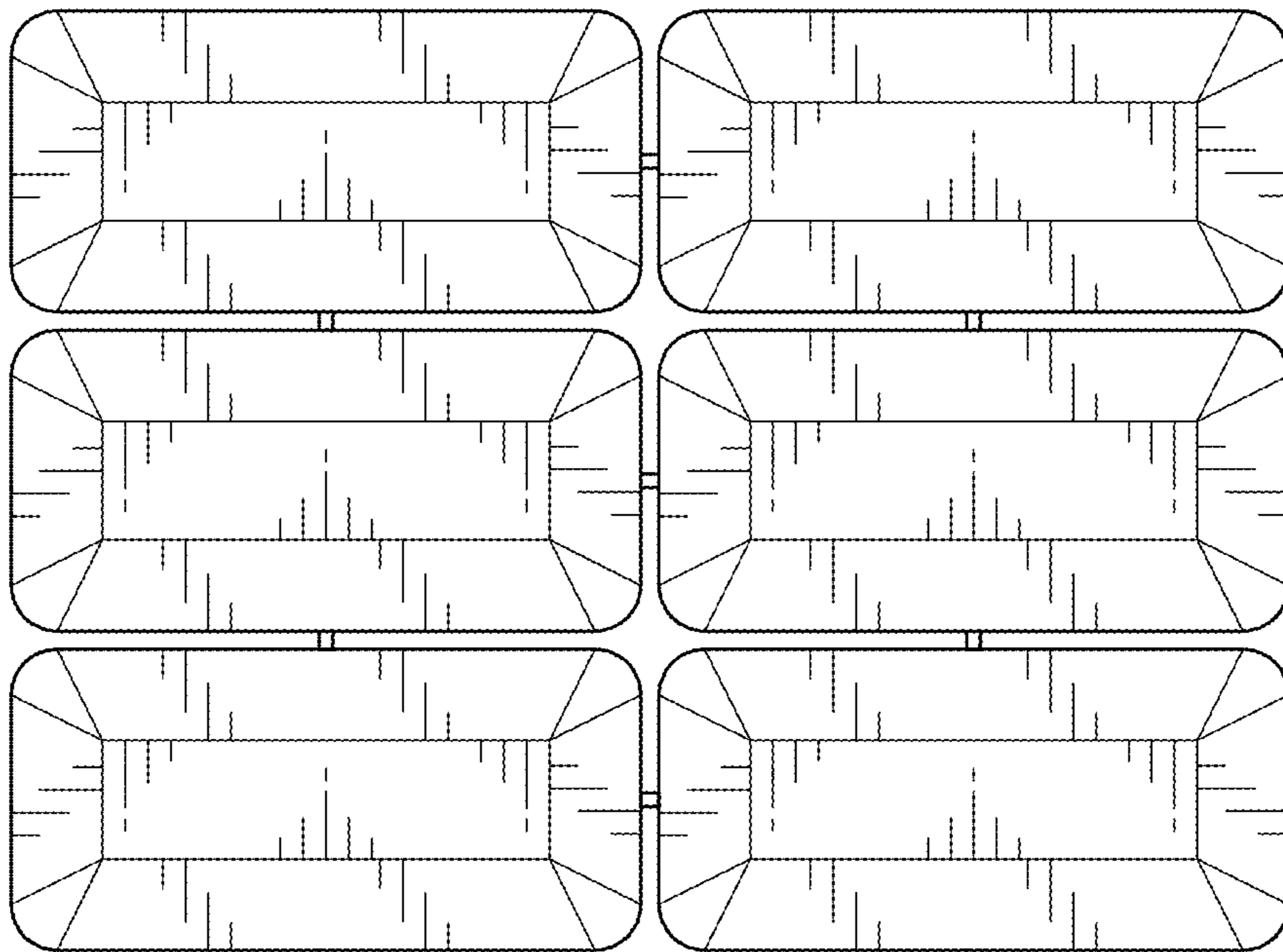


FIG.7