



US00D773315S

(12) **United States Design Patent** (10) **Patent No.:** **US D773,315 S**  
**Wahl et al.** (45) **Date of Patent:** **\*\* Dec. 6, 2016**

- (54) **WIPES DISPENSER CONTAINER**
- (71) Applicant: **THE CLOROX COMPANY**, Oakland, CA (US)
- (72) Inventors: **Stephen Wahl**, San Francisco, CA (US); **Benjamin Ma**, Pleasanton, CA (US); **Scot Herbst**, Santa Cruz, CA (US); **Michael Liebowitz**, Concord, CA (US); **Will Hunter**, Santa Cruz, CA (US)
- (73) Assignee: **The Clorox Company**, Oakland, CA (US)
- (\*\*) Term: **14 Years**
- (21) Appl. No.: **29/519,394**
- (22) Filed: **Mar. 4, 2015**
- (51) **LOC (10) Cl.** ..... **09-01**
- (52) **U.S. Cl.**  
USPC ..... **D9/734**
- (58) **Field of Classification Search**  
USPC ..... D9/414, 424, 430, 431, 499, 730, 734; D3/201, 304, 315; D6/515, 518, 519, 521, D6/522, 523; 206/205, 210, 216, 233, D6/389, 206/395, 494, 581, 812; 221/33, D6/36, 45, 46, 47, 221/48, 52, 199, 255, D6/259, 305, 309; D7/601, D7/602, 631  
CPC ..... B65D 85/00; B65D 81/00; B65D 81/22; B65D 83/0805; A47K 2010/3266; A47K 10/42; A47K 10/426; G07F 11/00  
See application file for complete search history.

- (56) **References Cited**  
U.S. PATENT DOCUMENTS
- 1,104,650 A \* 7/1914 Fries ..... A61L 2/26  
206/210
- 1,226,772 A \* 5/1917 Jahn ..... B65D 5/725  
221/309

- 1,242,298 A \* 10/1917 Wolford ..... A47K 10/44  
221/188
- 1,379,228 A \* 5/1921 Swift ..... A47F 1/08  
109/52
- 2,701,089 A \* 2/1955 Fischer ..... B65D 5/0245  
206/214
- 2,911,094 A \* 11/1959 Nagel ..... B65D 57/00  
206/216
- D288,161 S \* 2/1987 Payne, Jr. .... D6/518
- D333,781 S \* 3/1993 Kobel ..... D30/124
- 6,045,002 A 4/2000 Wierschke
- 6,213,345 B1 4/2001 Plank
- D464,791 S \* 10/2002 Lemoine ..... D3/205
- 6,550,634 B1 4/2003 Alegre De Miquel
- 6,685,050 B2 2/2004 Schmidt
- D561,989 S \* 2/2008 Jones ..... D3/201
- 8,342,360 B2 1/2013 Long
- D759,503 S \* 6/2016 Terpko ..... D6/515
- D761,551 S \* 7/2016 Stueckemann ..... D3/203.1
- 2002/0162765 A1 \* 11/2002 Okin ..... B65D 43/162  
206/494
- 2002/0170841 A1 \* 11/2002 Persson ..... A61B 50/37  
206/440

(Continued)

*Primary Examiner* — Derrick Holland  
*Assistant Examiner* — Lauren Calve  
 (74) *Attorney, Agent, or Firm* — Erin Collins

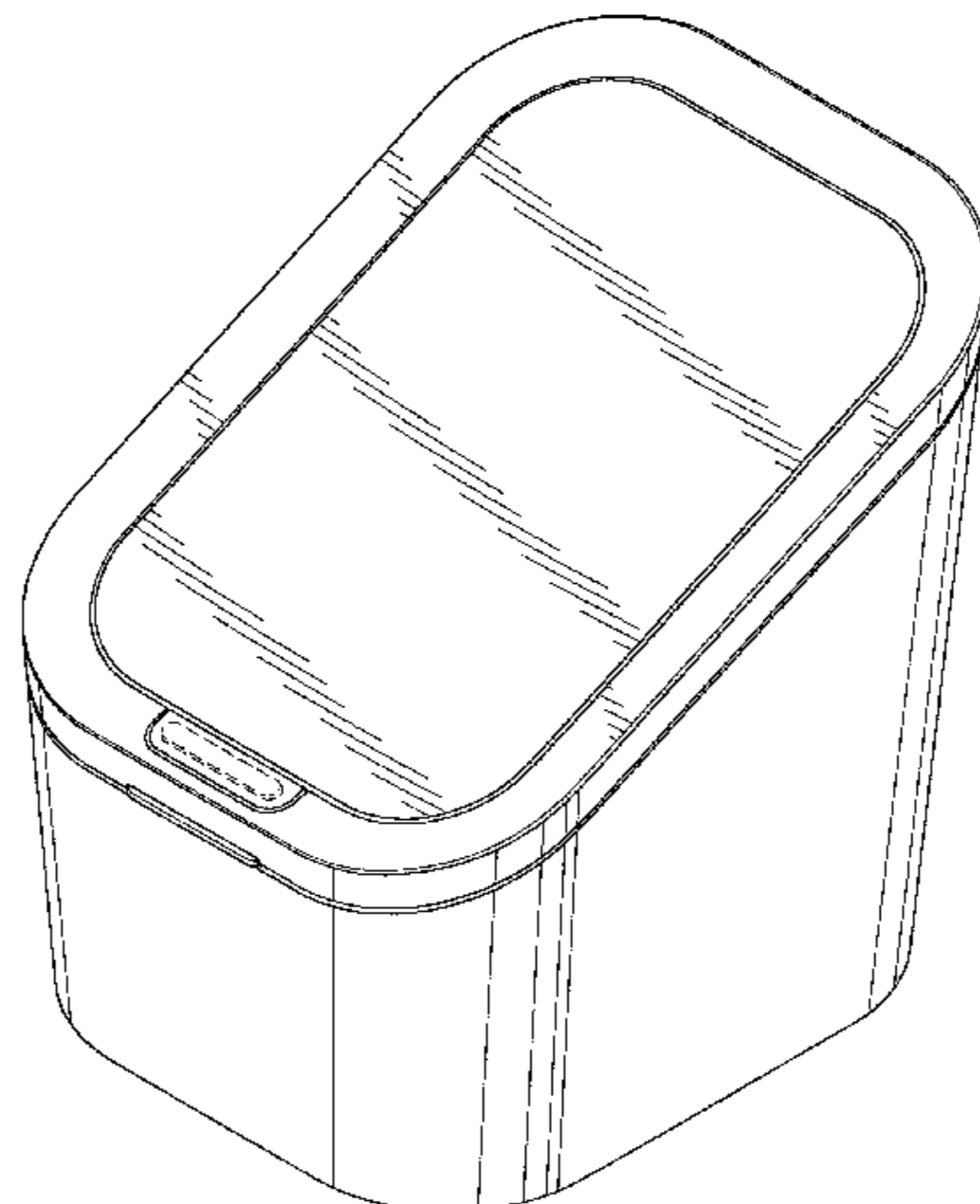
(57) **CLAIM**

The ornamental design for a wipes dispenser container, as shown and described.

**DESCRIPTION**

FIG. 1 is a perspective view of a wipes dispenser container showing our new design;  
 FIG. 2 is a top plan view thereof;  
 FIG. 3 is a bottom plan view thereof;  
 FIG. 4 is a front view thereof;  
 FIG. 5 a back view thereof;  
 FIG. 6 is a left side view thereof; and,  
 FIG. 7 is a right side view thereof.  
 The broken lines shown represent unclaimed subject matter and form no part of the claimed design.

**1 Claim, 4 Drawing Sheets**



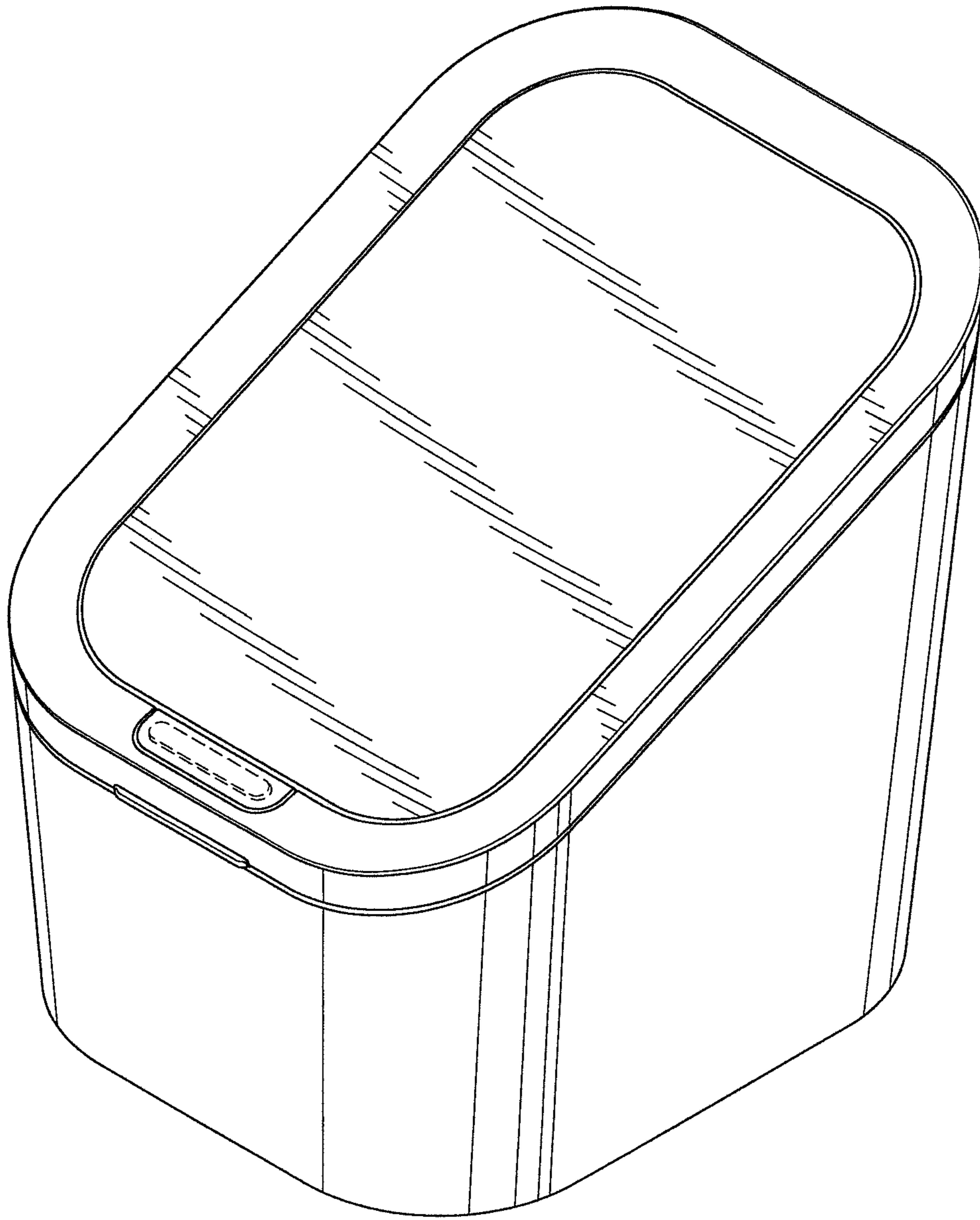
(56)

**References Cited**

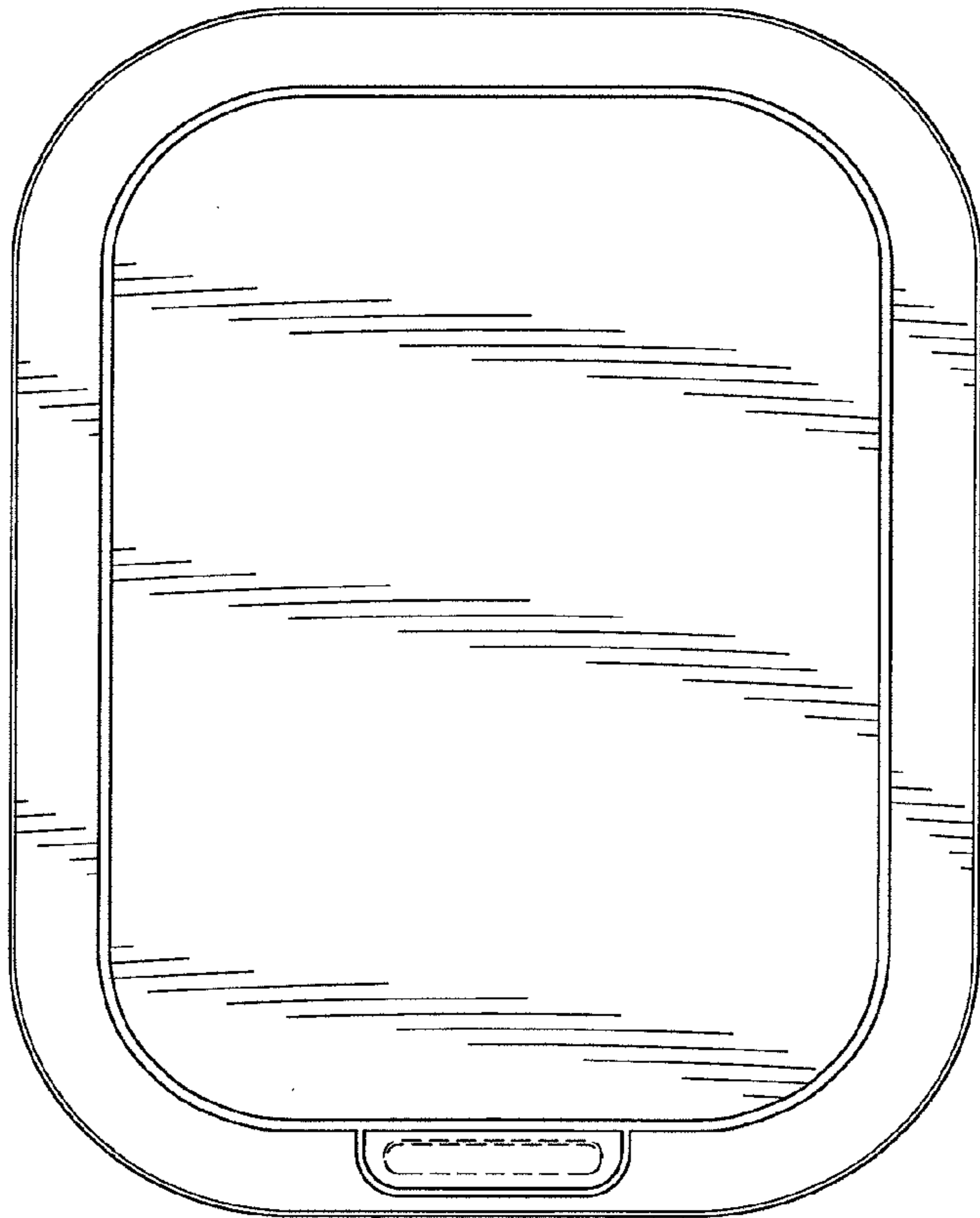
U.S. PATENT DOCUMENTS

2012/0145737 A1\* 6/2012 Ray ..... A47K 10/3818  
221/45  
2013/0153597 A1 6/2013 Hill  
2014/0021219 A1 1/2014 Honan et al.  
2014/0174963 A1 6/2014 Bechyne  
2014/0231445 A1 8/2014 Possell et al.  
2014/0305819 A1 10/2014 Hill et al.  
2014/0305957 A1 10/2014 Fulscher et al.  
2014/0305958 A1 10/2014 Hill et al.  
2015/0173573 A1\* 6/2015 Dunn ..... A47K 10/421  
206/581

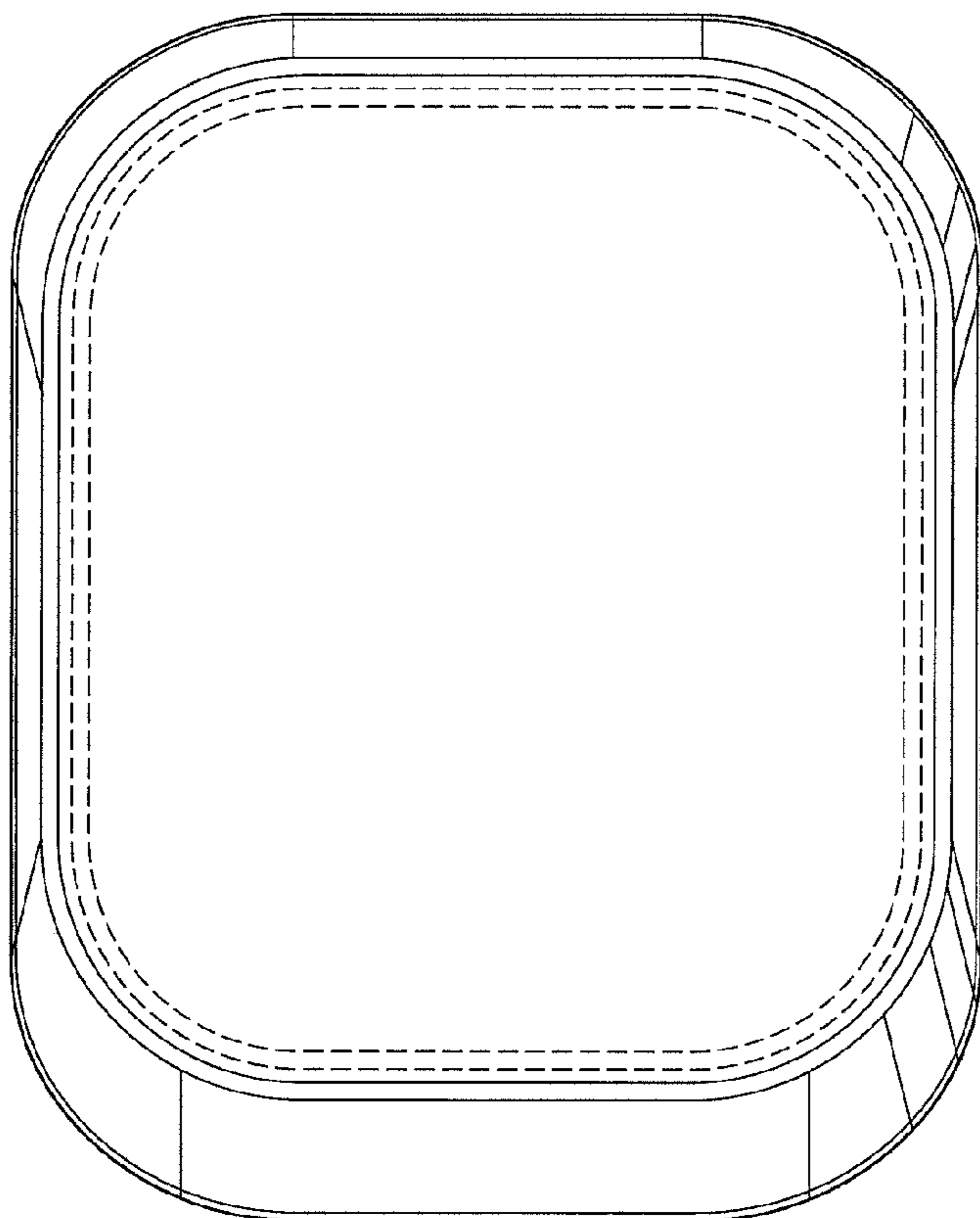
\* cited by examiner



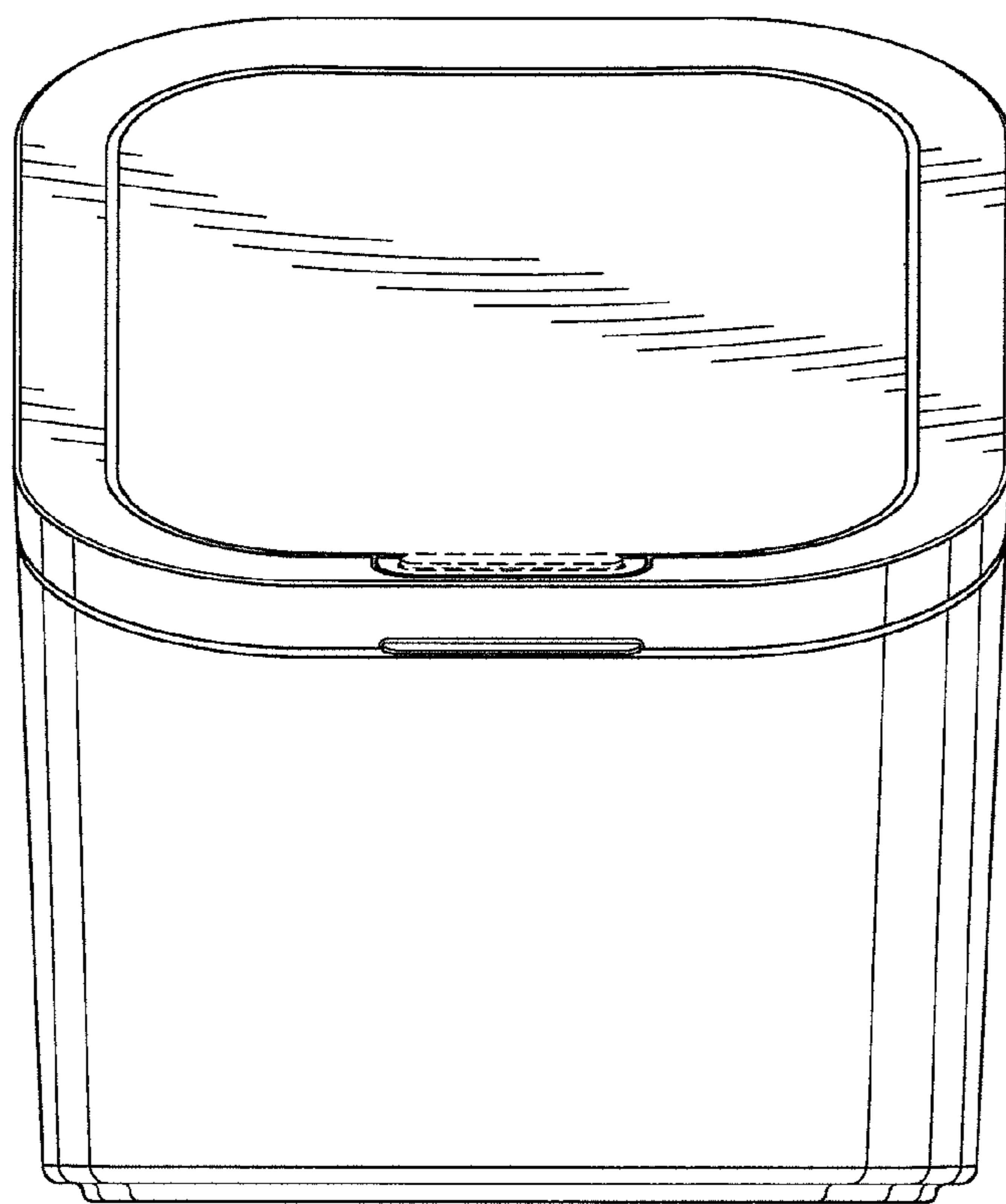
***FIG. 1***



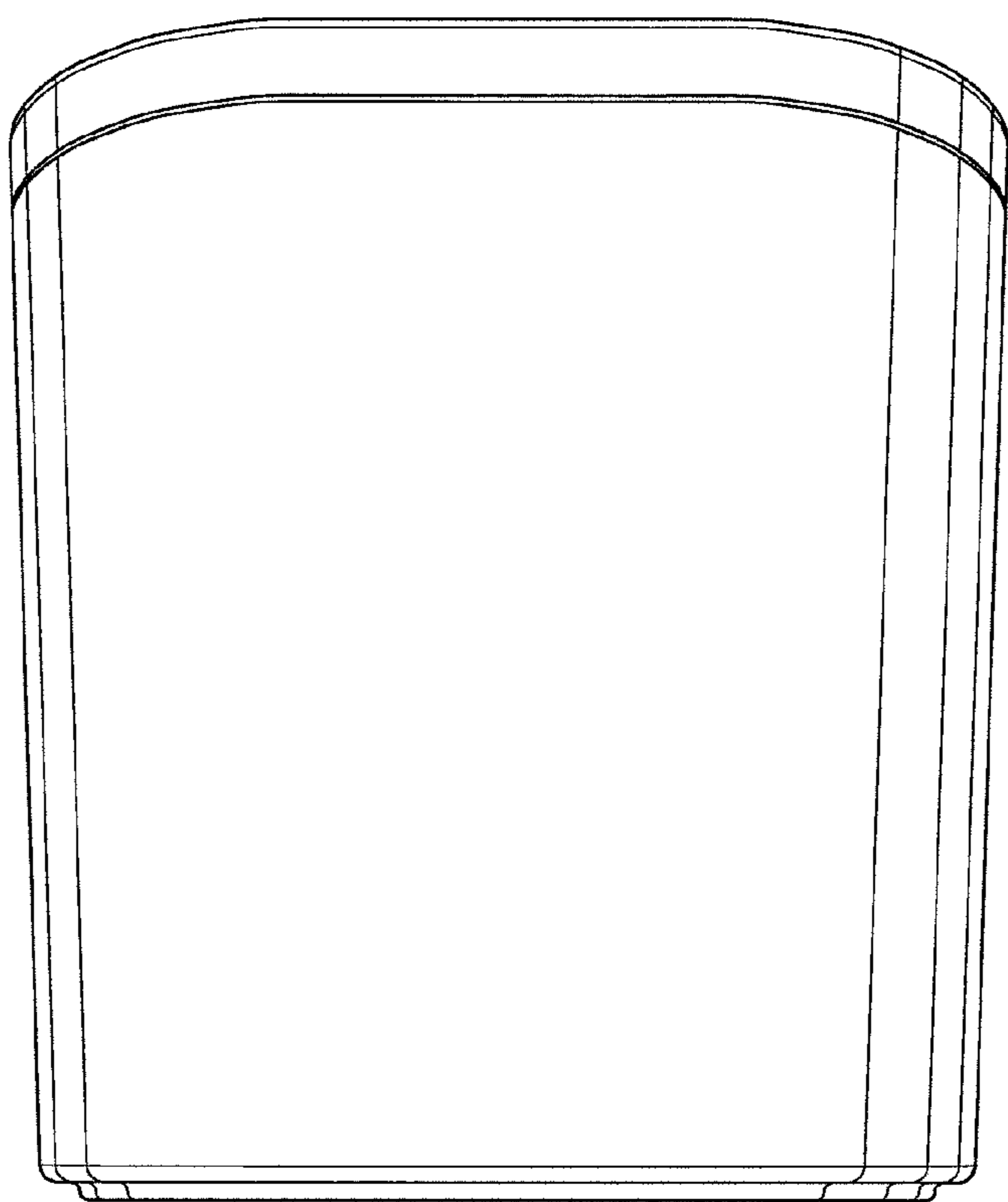
*FIG. 2*



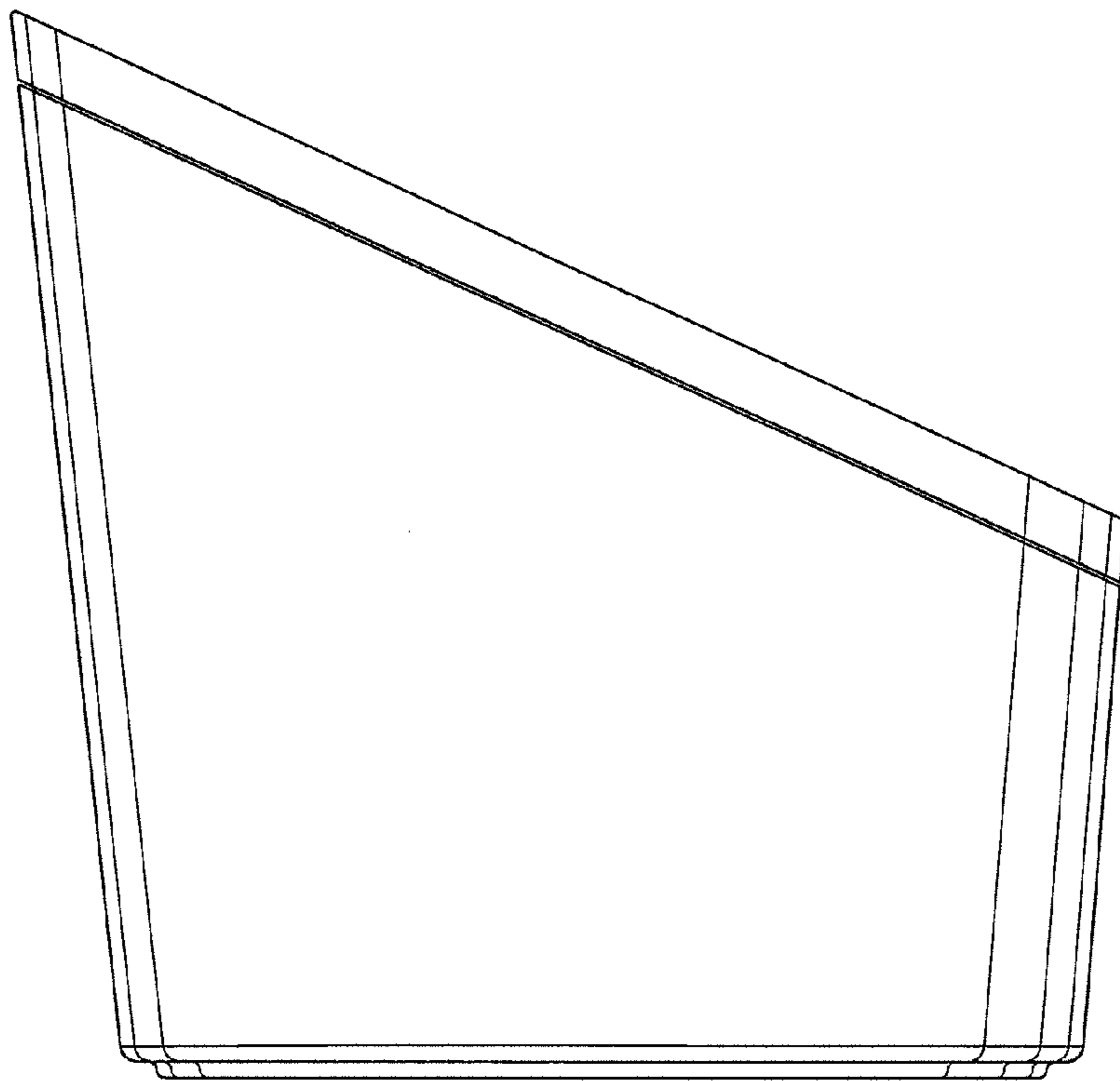
*FIG. 3*



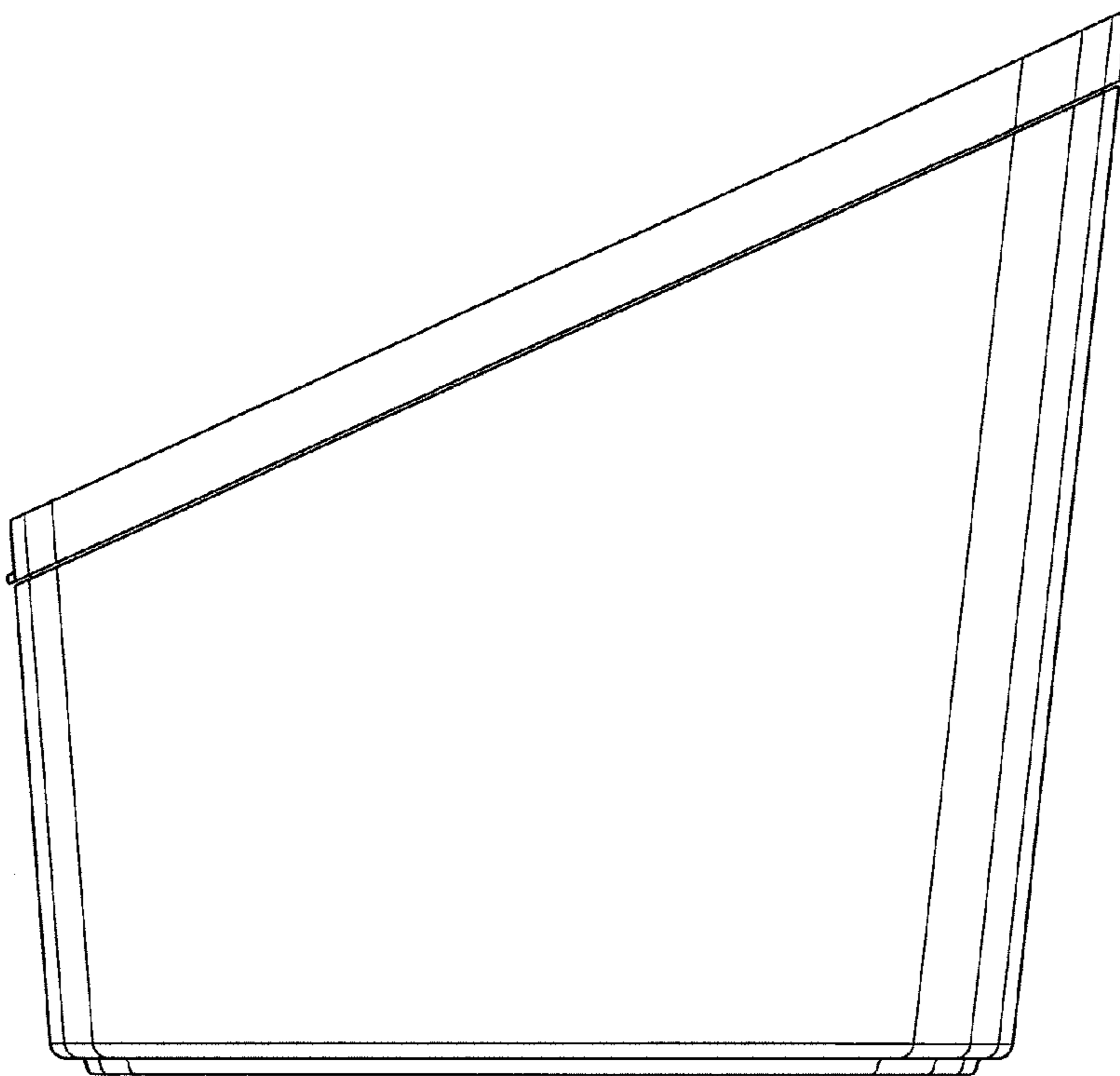
*FIG. 4*



*FIG. 5*



**FIG. 6**



**FIG. 7**