



US00D773313S

(12) **United States Design Patent** (10) **Patent No.:** **US D773,313 S**
Singer (45) **Date of Patent:** **** Dec. 6, 2016**

(54) **PACKAGE**

(71) Applicant: **Nicholas J. Singer**, Irvine, CA (US)

(72) Inventor: **Nicholas J. Singer**, Irvine, CA (US)

(**) Term: **15 Years**

(21) Appl. No.: **29/531,174**

(22) Filed: **Jun. 23, 2015**

(51) **LOC (10) Cl.** **09-05**

(52) **U.S. Cl.**
USPC **D9/710**

(58) **Field of Classification Search**

USPC D9/702-714, 720-722,
416-417, D9/695-696; D24/118-119, 207;
383/200, 383/207, 38, 208-209, 63, 61.1,
383/113; 229/87.06, 87.03, 87.08;
426/106, 115, 426/119-120, 122, 410;
222/94, 107, 541.1, 92, 222/541.2;
206/811, 229, 484; 219/727

(Continued)

(56) **References Cited**

U.S. PATENT DOCUMENTS

2,199,406 A 5/1940 Jablon
2,311,923 A 2/1943 Lautmann

(Continued)

FOREIGN PATENT DOCUMENTS

CA 2182907 2/1998
CN 2055129 3/1990

(Continued)

OTHER PUBLICATIONS

Dictionary.com, Infusion <http://dictionary.reference.com/browse/infusion>, Retrieved May 18, 2015.

(Continued)

Primary Examiner — Caron D Veynar

Assistant Examiner — Abraham Bahta

(74) *Attorney, Agent, or Firm* — Stetina Brunda Garred & Brucker

(57) **CLAIM**

The ornamental design for a package, as shown and described.

DESCRIPTION

FIG. 1 is a perspective view of a first embodiment of the package;

FIG. 2 is a top view of the package shown in FIG. 1;

FIG. 3 is a bottom view of the package shown in FIG. 1;

FIG. 4 is a front view of the package shown in FIG. 1;

FIG. 5 is a rear view of the package shown in FIG. 1;

FIG. 6 is a right side view of the package shown in FIG. 4;

FIG. 7 is a left side view of the package shown in FIG. 4;

FIG. 8 is a perspective view of the second embodiment of the package;

FIG. 9 is a top view of the package shown in FIG. 8;

FIG. 10 is a bottom view of the package shown in FIG. 8;

FIG. 11 is a front view of the package shown in FIG. 8;

FIG. 12 is a rear view of the package shown in FIG. 8;

FIG. 13 is a right side view of the package shown in FIG. 11;

FIG. 14 is a left side view of the package shown in FIG. 11;

FIG. 15 is a perspective view of a third embodiment of the package;

FIG. 16 is a top view of the package shown in FIG. 15;

FIG. 17 is a bottom view of the package shown in FIG. 15;

FIG. 18 is a front view of the package shown in FIG. 15;

FIG. 19 is a rear view of the package shown in FIG. 15;

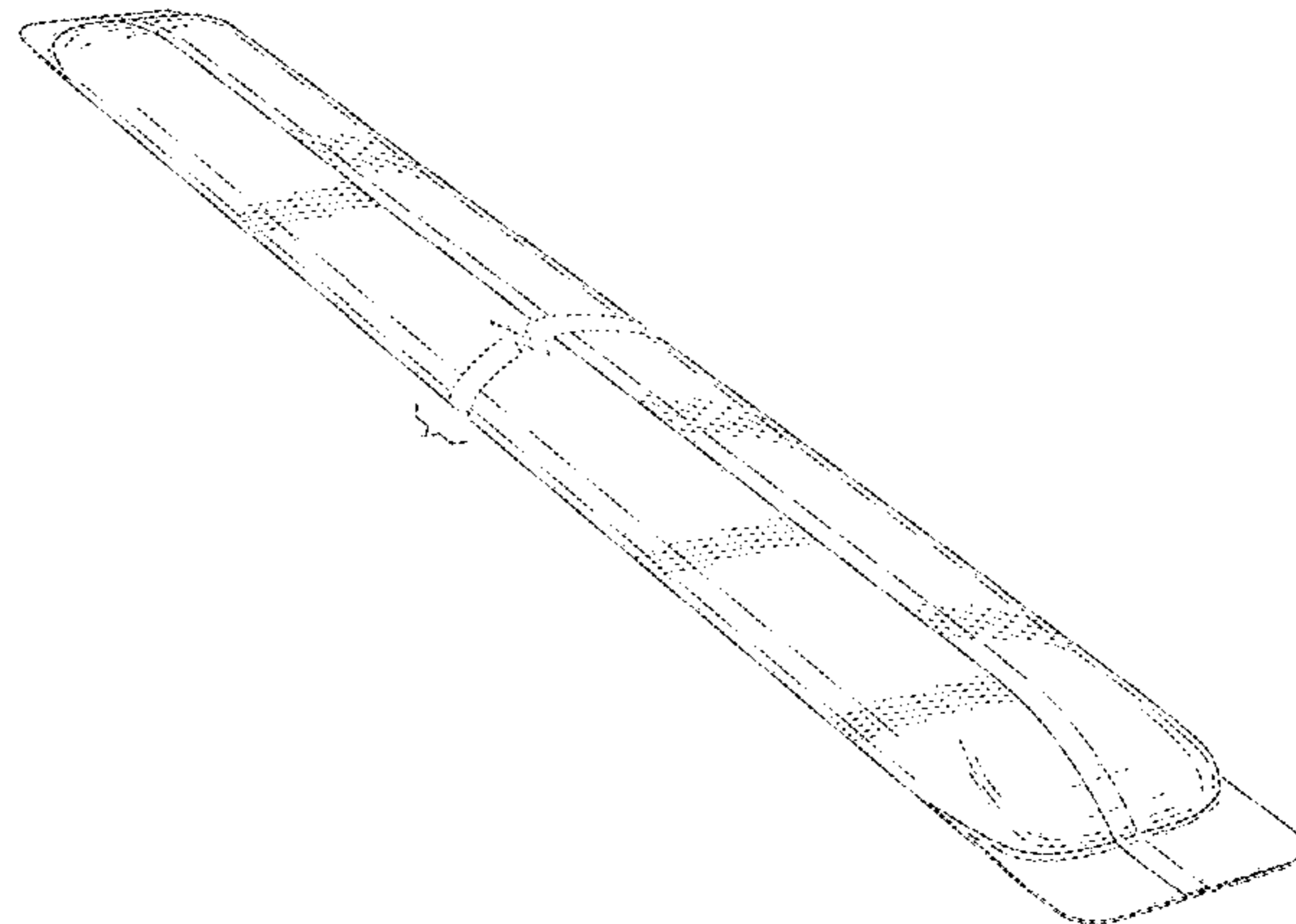
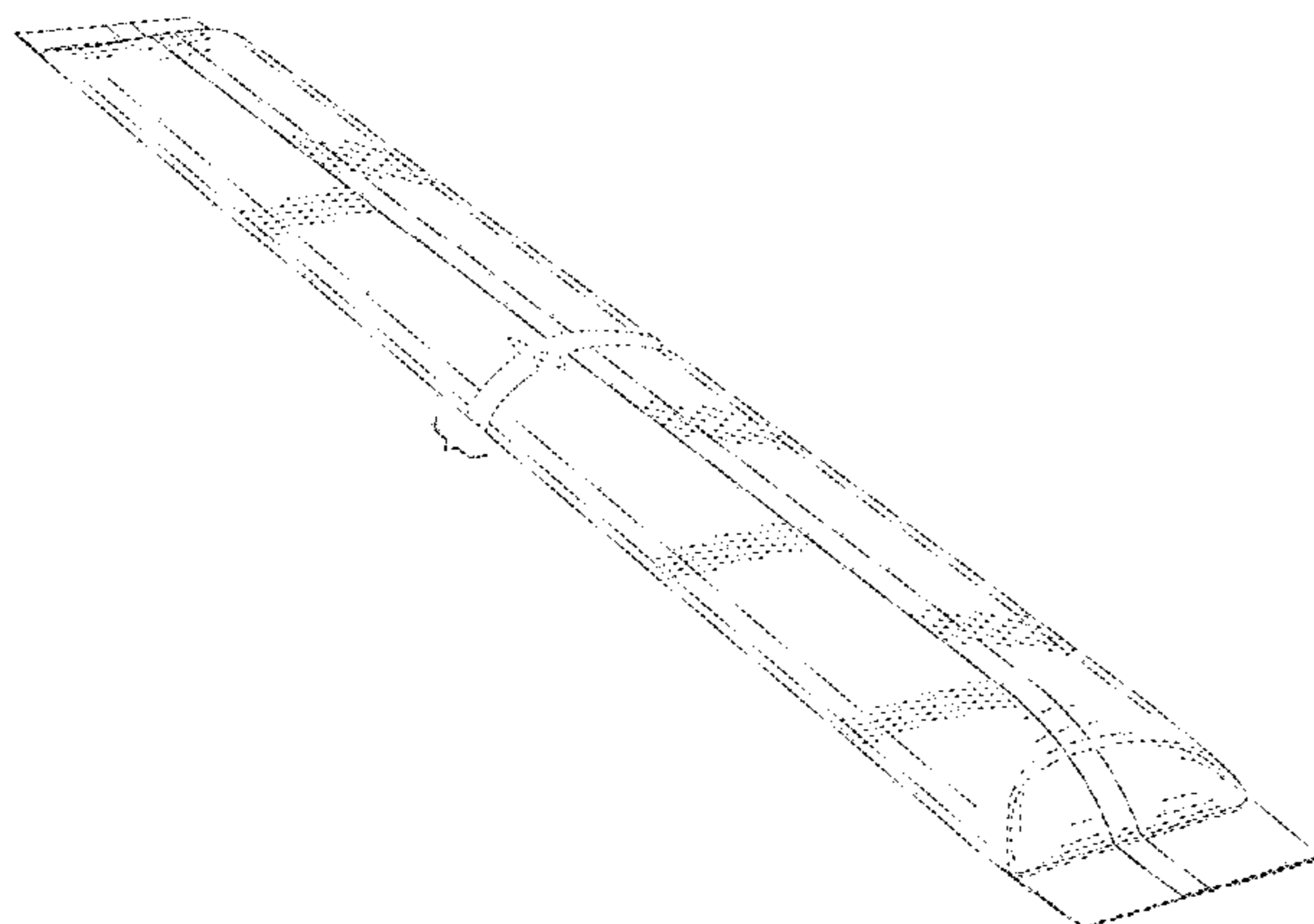
FIG. 20 is a right side view of the package shown in FIG. 18;

and,

FIG. 21 is a left side view of the package shown in FIG. 18.

The broken line showing of a broken away portions of the package is included for the purpose of illustrating the package has no specific length and forms no part of the claimed design.

1 Claim, 9 Drawing Sheets



(58) **Field of Classification Search**
 CPC B65D 65/18; B65D 65/00; B65D 65/02;
 B65D 65/10; B65D 83/12; B65D 83/00;
 B65D 83/0055; B65D 83/0409; B65D
 35/38; B65D 35/02; B65D 35/08; B65D
 35/44; B65D 35/00; B65D 35/28
 See application file for complete search history.

(56) **References Cited**
 U.S. PATENT DOCUMENTS

2,370,931 A	3/1945	Bogin	5,728,681 A	3/1998	Kido et al.
2,819,167 A	7/1958	Irmscher	5,741,491 A	4/1998	Jones
3,607,299 A	9/1971	Bolt	D394,605 S *	5/1998	Skiba D9/709
3,796,813 A	3/1974	Kurland	5,768,142 A	6/1998	Jacobs
4,076,846 A	2/1978	Nakatsuka et al.	5,772,017 A	6/1998	Kang
4,271,142 A	6/1981	Puglia et al.	5,776,524 A	7/1998	Reinhart
4,315,513 A	2/1982	Nawash et al.	5,792,754 A	8/1998	Green
4,393,873 A	7/1983	Nawash et al.	5,820,437 A	10/1998	Coleman et al.
4,529,569 A	7/1985	Palau	5,820,867 A	10/1998	Bewicke
4,551,329 A	11/1985	Harris et al.	5,849,324 A	12/1998	Dohnalek et al.
4,563,161 A	1/1986	Zimmerman	5,851,578 A	12/1998	Gandhi
4,605,123 A	8/1986	Goodrum et al.	5,852,917 A	12/1998	Romagnoli
4,609,556 A	9/1986	Goedert	5,862,997 A	1/1999	Reinke
4,671,953 A	6/1987	Stanley et al.	5,866,188 A	2/1999	Battist et al.
4,711,784 A	12/1987	Yang	5,869,059 A	2/1999	Garza
4,749,575 A	6/1988	Rotman	5,885,640 A	3/1999	Anderson
4,804,542 A	2/1989	Fischer et al.	5,888,514 A	3/1999	Weisman
4,841,712 A	6/1989	Rouo	5,891,465 A	4/1999	Keller et al.
4,842,157 A	6/1989	Stone-Parker et al.	5,897,022 A	4/1999	Mann
4,851,252 A	7/1989	Greither et al.	5,910,247 A	6/1999	Outterside
4,851,339 A	7/1989	Hills	5,921,955 A	7/1999	Mazer
4,853,235 A	8/1989	Tomomatsu	5,922,350 A	7/1999	Janoff et al.
4,863,737 A	9/1989	Stanley et al.	5,927,052 A	7/1999	Nippes et al.
4,881,915 A	11/1989	Liaw	5,928,664 A	7/1999	Yang et al.
4,959,947 A	10/1990	Reif	5,951,452 A	9/1999	Stevenson
4,988,019 A	1/1991	Dawes	5,962,053 A	10/1999	Merritt, II
5,009,518 A	4/1991	Faltynek	5,965,162 A	10/1999	Fuisz et al.
5,009,819 A	4/1991	Popescu et al.	5,965,185 A	10/1999	Bianco
5,019,405 A	5/1991	Sapers	5,968,569 A	10/1999	Cavadini et al.
5,024,824 A	6/1991	Henk	5,972,415 A	10/1999	Brassart et al.
5,024,842 A	6/1991	Edgren et al.	5,981,498 A	11/1999	Fukuda et al.
5,035,515 A	7/1991	Crossman et al.	5,989,602 A	11/1999	Drury et al.
5,051,261 A	9/1991	McGinity et al.	5,993,880 A	11/1999	Frost et al.
5,051,269 A	9/1991	Noreille et al.	6,007,838 A	12/1999	Alving et al.
5,085,634 A	2/1992	Lackney	6,008,252 A	12/1999	Beale
5,089,307 A	2/1992	Ninomiya et al.	6,008,253 A	12/1999	Meglasson
5,119,940 A	6/1992	Grindrod	6,022,576 A	2/2000	Cirigliano et al.
5,127,743 A	7/1992	Miller et al.	6,025,363 A	2/2000	Giles, Jr.
5,284,667 A	2/1994	Zimmermann et al.	6,039,952 A	3/2000	Sunvold et al.
5,294,458 A	3/1994	Fujimoro	6,071,539 A	6/2000	Robinson et al.
5,366,741 A	11/1994	Van Der Zon	6,083,582 A	7/2000	Chen et al.
5,447,730 A	9/1995	Greenleaf	6,102,224 A	8/2000	Sun et al.
5,542,570 A	8/1996	Nottingham et al.	6,123,221 A	9/2000	Simpson
5,543,164 A	8/1996	Krochta et al.	6,129,265 A	10/2000	Perryman et al.
5,549,757 A	8/1996	Morano	6,133,323 A	10/2000	Hayek
5,550,113 A	8/1996	Mann	6,165,495 A	12/2000	Blankenship
5,554,400 A	9/1996	Stipp	6,168,795 B1	1/2001	Djang
5,567,424 A	10/1996	Hastings	6,174,554 B1	1/2001	So
5,578,304 A	11/1996	Sipos	6,180,099 B1	1/2001	Paul
5,578,336 A	11/1996	Monte	6,180,131 B1	1/2001	Sunvold et al.
5,580,408 A	12/1996	Vernon et al.	6,182,861 B1	2/2001	Kovens
5,601,716 A	2/1997	Heinrich et al.	6,190,591 B1	2/2001	van Lengerich
5,613,601 A	3/1997	Boulanger et al.	6,191,161 B1	2/2001	Ka'nai et al.
5,616,355 A	4/1997	Haast et al.	6,204,291 B1	3/2001	Sunvold et al.
5,620,724 A	4/1997	Adler	6,207,638 B1	3/2001	Portman
5,626,896 A	5/1997	Moore et al.	6,212,959 B1	4/2001	Perkins
5,633,027 A	5/1997	Cherukuri et al.	6,214,390 B1	4/2001	Weinstein et al.
5,653,996 A	8/1997	Hsu	6,214,788 B1	4/2001	Velazco et al.
5,657,712 A	8/1997	Romagnoli	6,217,931 B1	4/2001	Meister
5,674,544 A	10/1997	Shakespeare	6,221,832 B1	4/2001	Casteel et al.
5,676,988 A	10/1997	Coleman et al.	6,224,873 B1	5/2001	Jones
5,683,997 A	11/1997	Buhlmayer et al.	6,224,922 B1	5/2001	Fonte
5,690,535 A	11/1997	Coleman et al.	6,225,341 B1	5/2001	Bischofberger et al.
5,716,688 A	2/1998	Burke et al.	6,235,323 B1	5/2001	Carns et al.
5,716,976 A	2/1998	Bernstein	6,248,375 B1	6/2001	Gilles et al.
5,721,345 A	2/1998	Roberfroid	6,248,390 B1	6/2001	Stillman
			6,251,450 B1	6/2001	Giacoman
			6,255,341 B1	7/2001	DeMichele et al.
			6,258,870 B1	7/2001	Hubbell et al.
			6,261,589 B1	7/2001	Pearson et al.
			6,261,610 B1	7/2001	Sher et al.
			6,263,923 B1	7/2001	Castillo
			6,264,997 B1	7/2001	Yamakoshi et al.
			6,265,450 B1	7/2001	Asami et al.
			6,268,011 B1	7/2001	Hoie
			6,279,505 B1	8/2001	Plester et al.
			6,280,075 B1	8/2001	Cadeo
			6,495,190 B1	12/2002	Yaginuma et al.
			6,503,582 B1	1/2003	Nardoza et al.

(56)

References Cited

U.S. PATENT DOCUMENTS

6,596,298	B2	7/2003	Leung et al.	
D489,606	S *	5/2004	Lofman	D9/707
6,733,804	B1	5/2004	Lohrey et al.	
6,923,981	B2	8/2005	Leung et al.	
7,229,654	B2	6/2007	Gaonkar et al.	
7,407,669	B2	8/2008	Leung et al.	
D580,780	S *	11/2008	Kelly	D9/707
7,491,406	B2	2/2009	Leung et al.	
D602,376	S *	10/2009	Coulson	D9/707
7,612,048	B2	11/2009	Pinna et al.	
7,648,712	B2	1/2010	Bess et al.	
D610,467	S *	2/2010	Kozarsky	D9/707
7,678,397	B2	3/2010	MacQuarrie	
D619,478	S *	7/2010	Drewnowski	D9/707
D628,904	S *	12/2010	Josephs	D9/707
D630,522	S *	1/2011	Harvey	D9/707
7,867,509	B2	1/2011	Leung et al.	
D640,566	S *	6/2011	Norlin	D9/707
D644,534	S *	9/2011	Stengel	D9/707
D688,567	S *	8/2013	Stronski	D9/709
8,642,051	B2	2/2014	Stillman	
D747,975	S *	1/2016	Gillespie	D9/707
2001/0012525	A1	8/2001	Mann	
2005/0095954	A1	5/2005	Kempton	
2008/0292541	A1	11/2008	Kamada et al.	

FOREIGN PATENT DOCUMENTS

DE	1045314	11/1958
DE	4001500	7/1991
DE	29616646	1/1997

DE	19842526	3/2000
EP	0448325	9/1991
FR	2671332	7/1992
FR	2786303	5/2000
WO	9425011	11/1994
WO	9935190	7/1999
WO	2014110356	7/2014

OTHER PUBLICATIONS

MonoSol A Kuraray Company, <http://www.monosol.com/index.php>, published as early as Oct. 3, 2014.

Vivos Edible Delivery Systems, Water Soluble Edible Film, <http://www.vivosfilm.com>, published as early as Oct. 3, 2014.

Tsukioka Film Pharma Co., Ltd., <http://edible-film.com/index.html>, published as early as Oct. 3, 2014.

Watson, Edible Films, http://www.watson-inc.com/film_edible.php, published as early as Oct. 3, 2014.

Cure, <http://curepharmaceutical.com/index.html>, published as early as Oct. 3, 2014.

Ascona Foods Group LTD Food Ingredients and Technology, <http://asconafoods.com/products/>, published as early as Oct. 3, 2014.

MonoSol A Kuraray Company, The Disappearing Laundry Bag, <http://monosol.com/brands.php?p=>, published as early as Oct. 2, 2014.

MonoSol A Kuraray Company, Vivos Edible Delivery System, <http://monosol.com/brands.php?p=117>, published as early as Oct. 2, 2014.

Vivos Edible Delivery Systems, Instant Food and Beverage Formulations, <http://www.vivosfilm.com/instant-food-and-beverage.html>, published as early as Oct. 2, 2014.

* cited by examiner

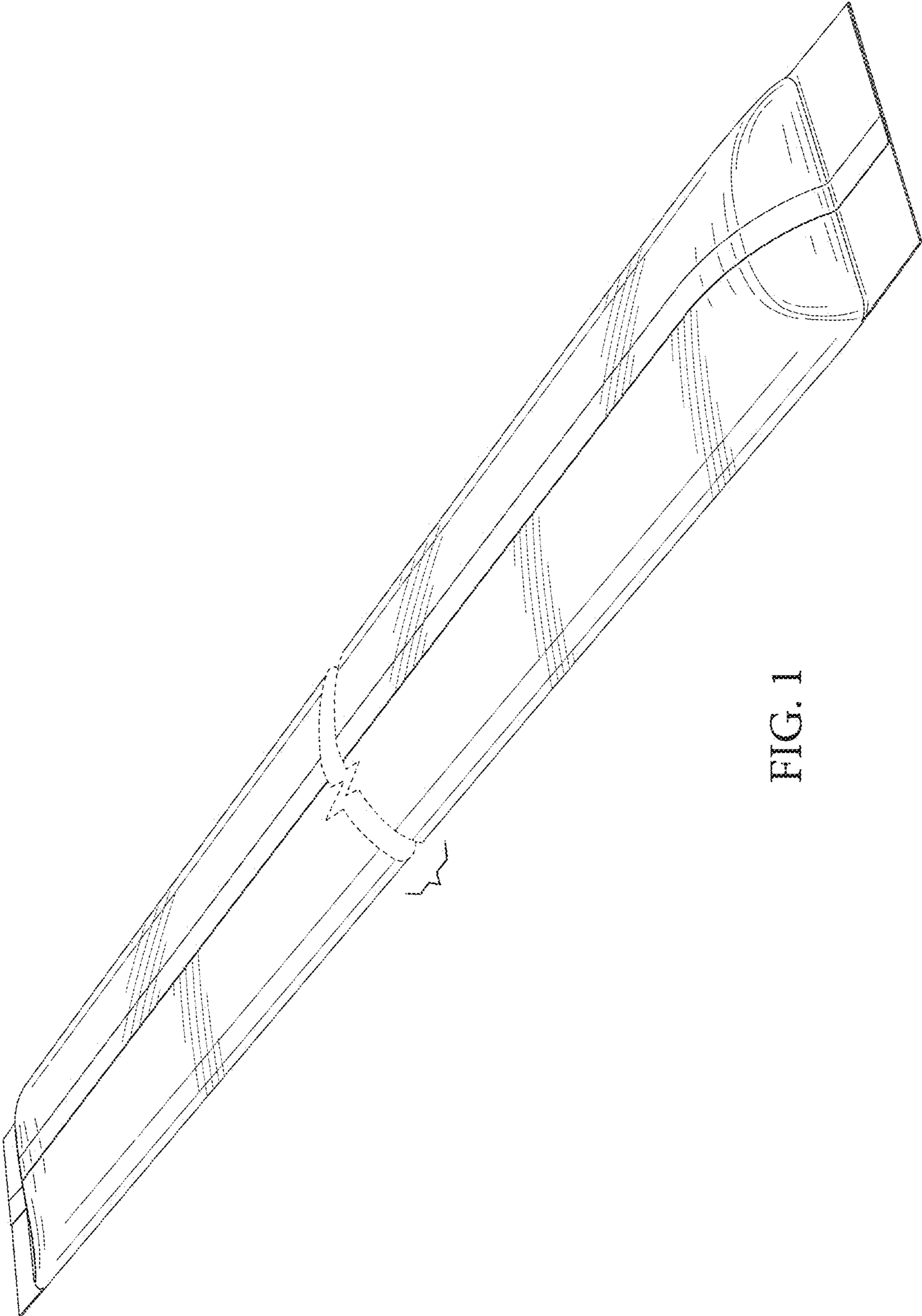


FIG. 1

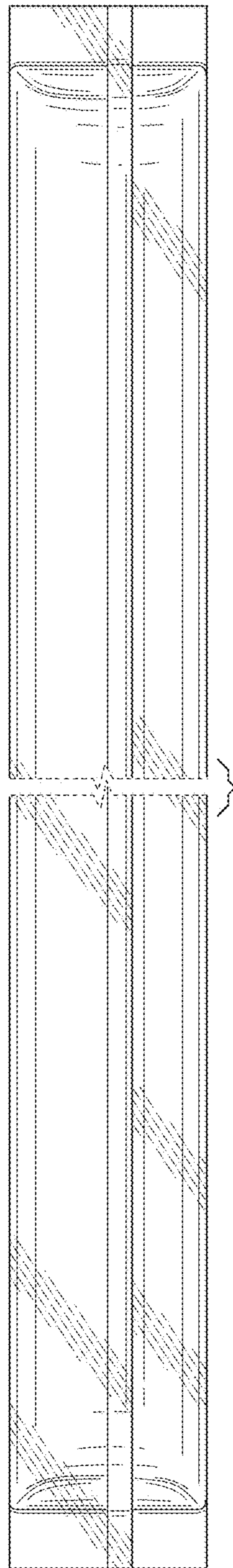


FIG. 2

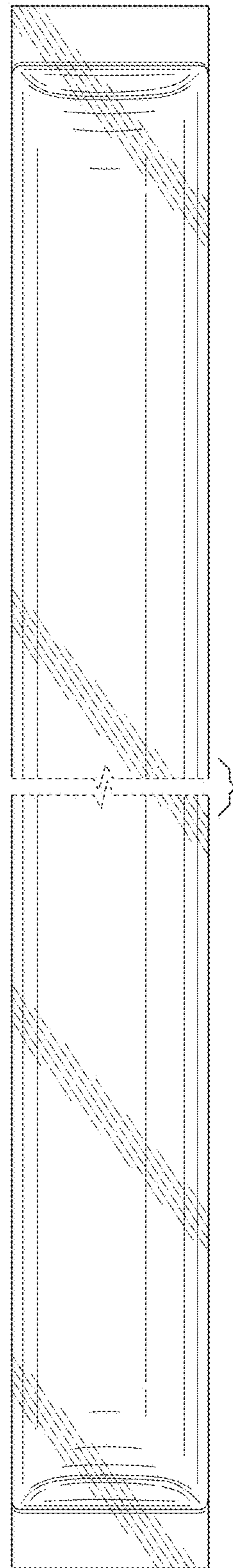


FIG. 3

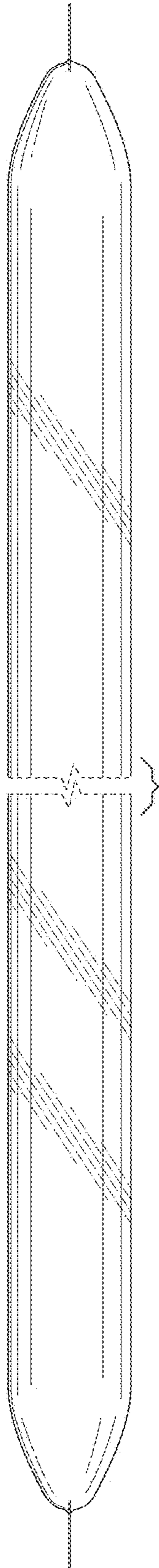


FIG. 4

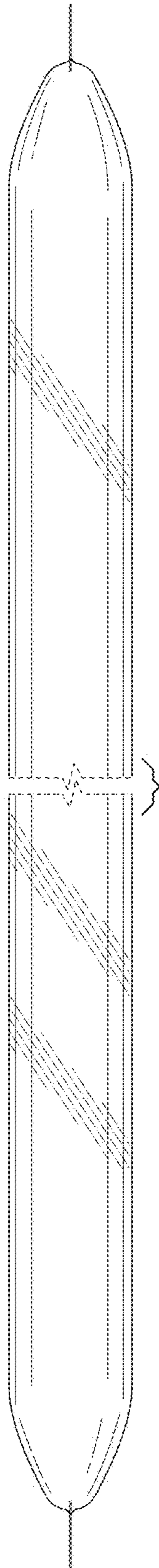


FIG. 5

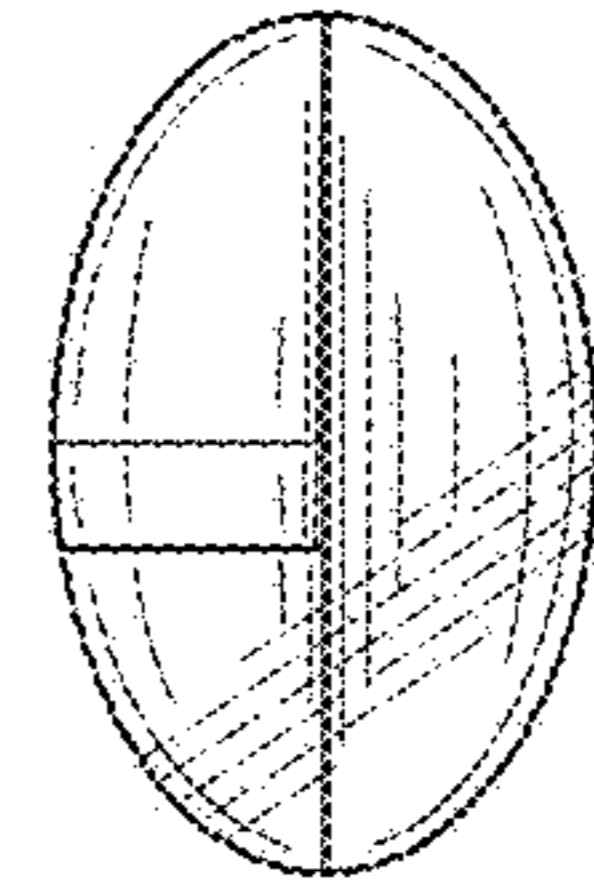


FIG. 6

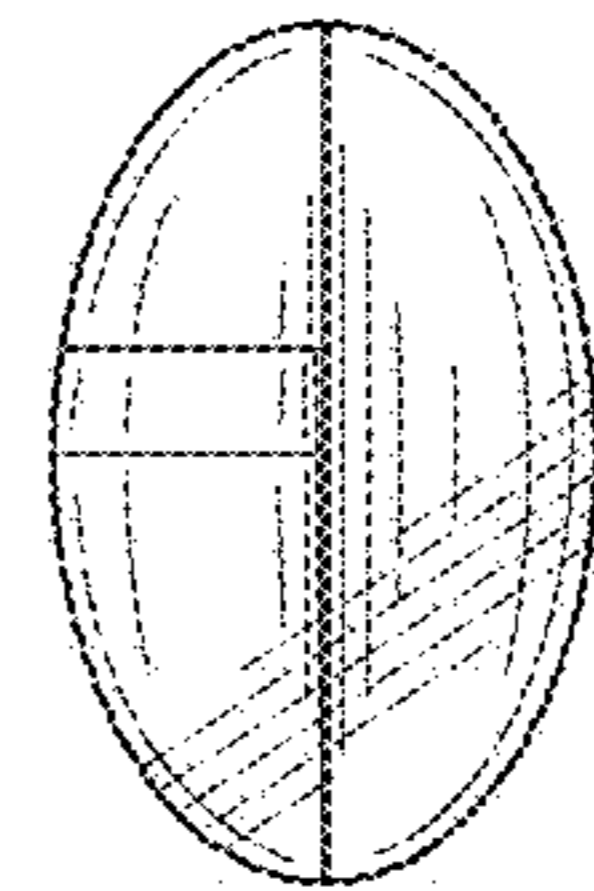


FIG. 7

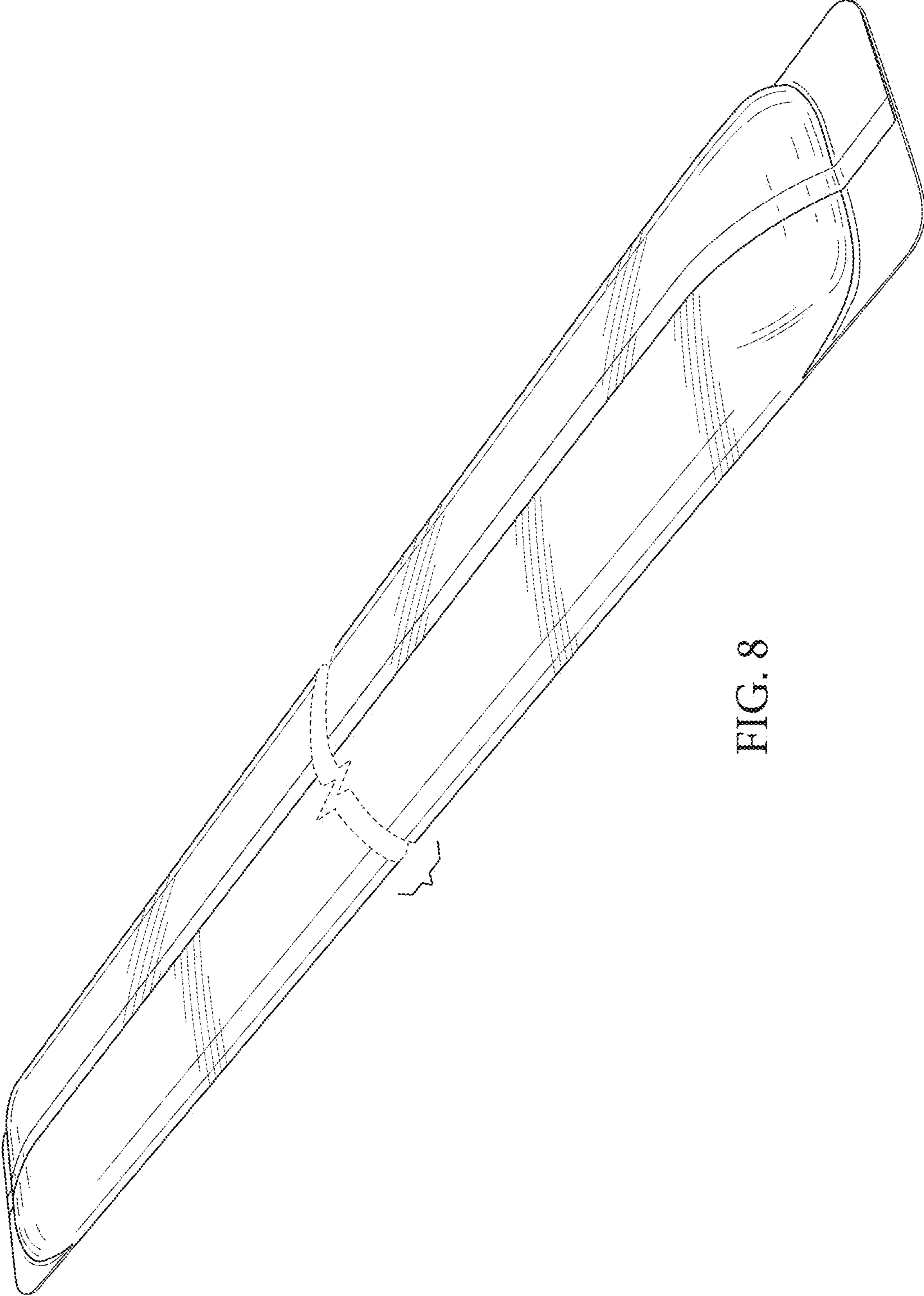


FIG. 8

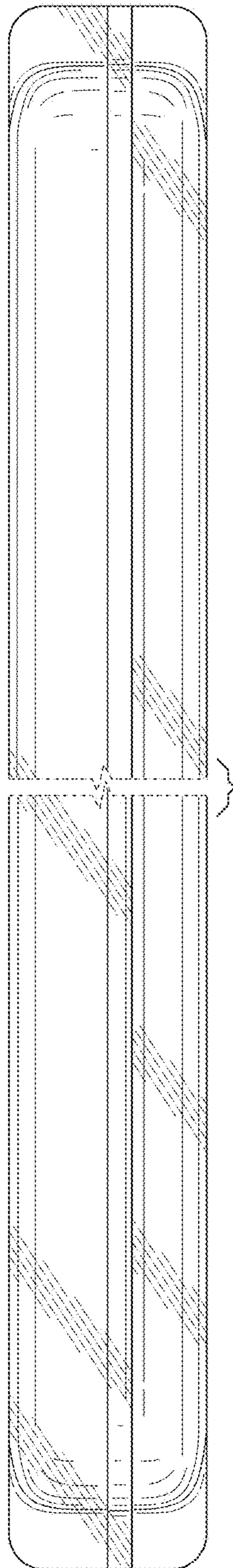


FIG. 9

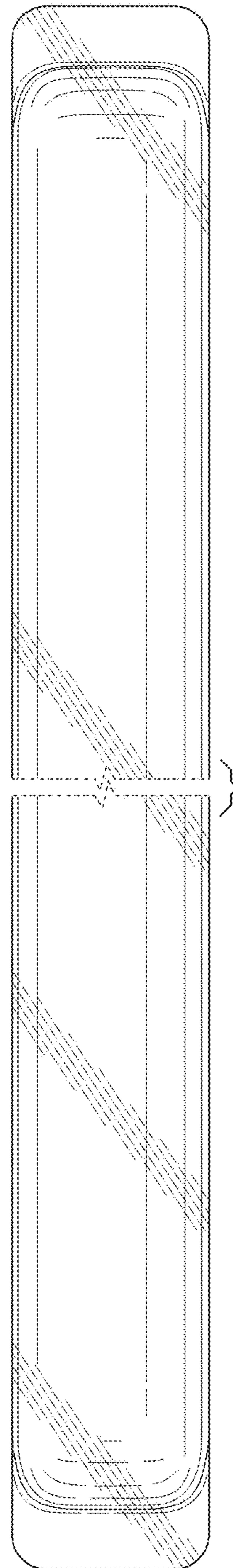


FIG. 10

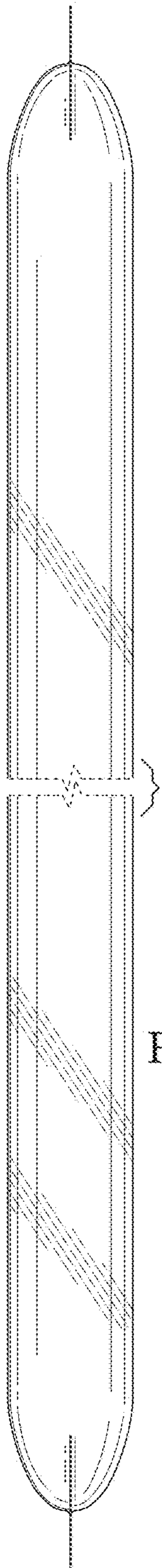


FIG. 11

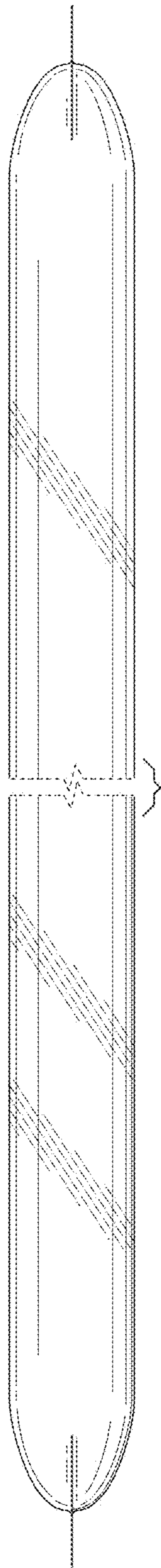


FIG. 12

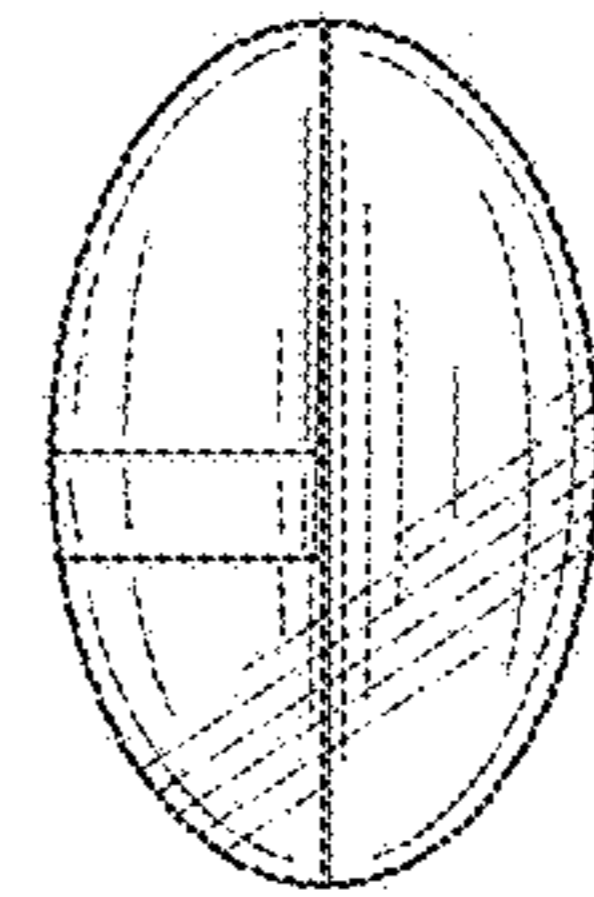


FIG. 13

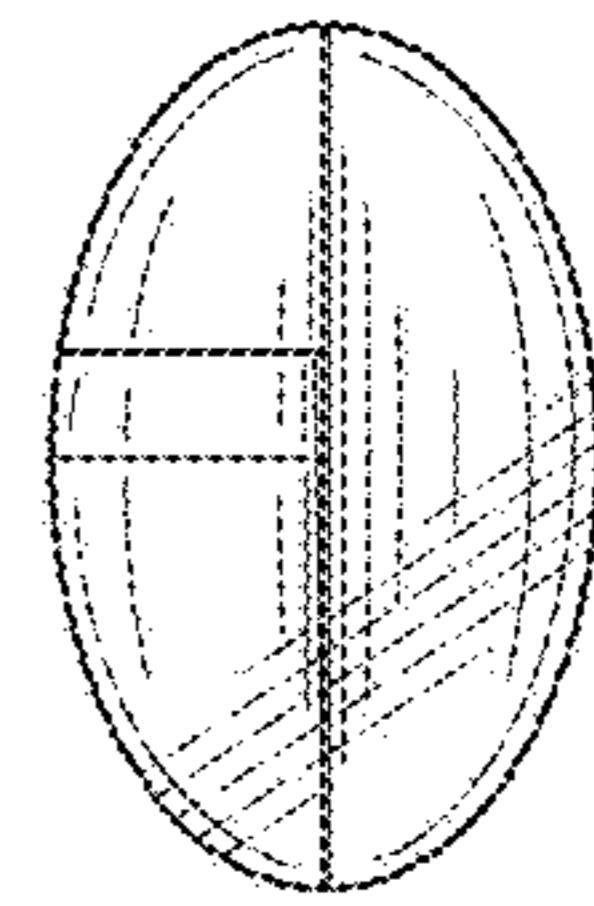


FIG. 14

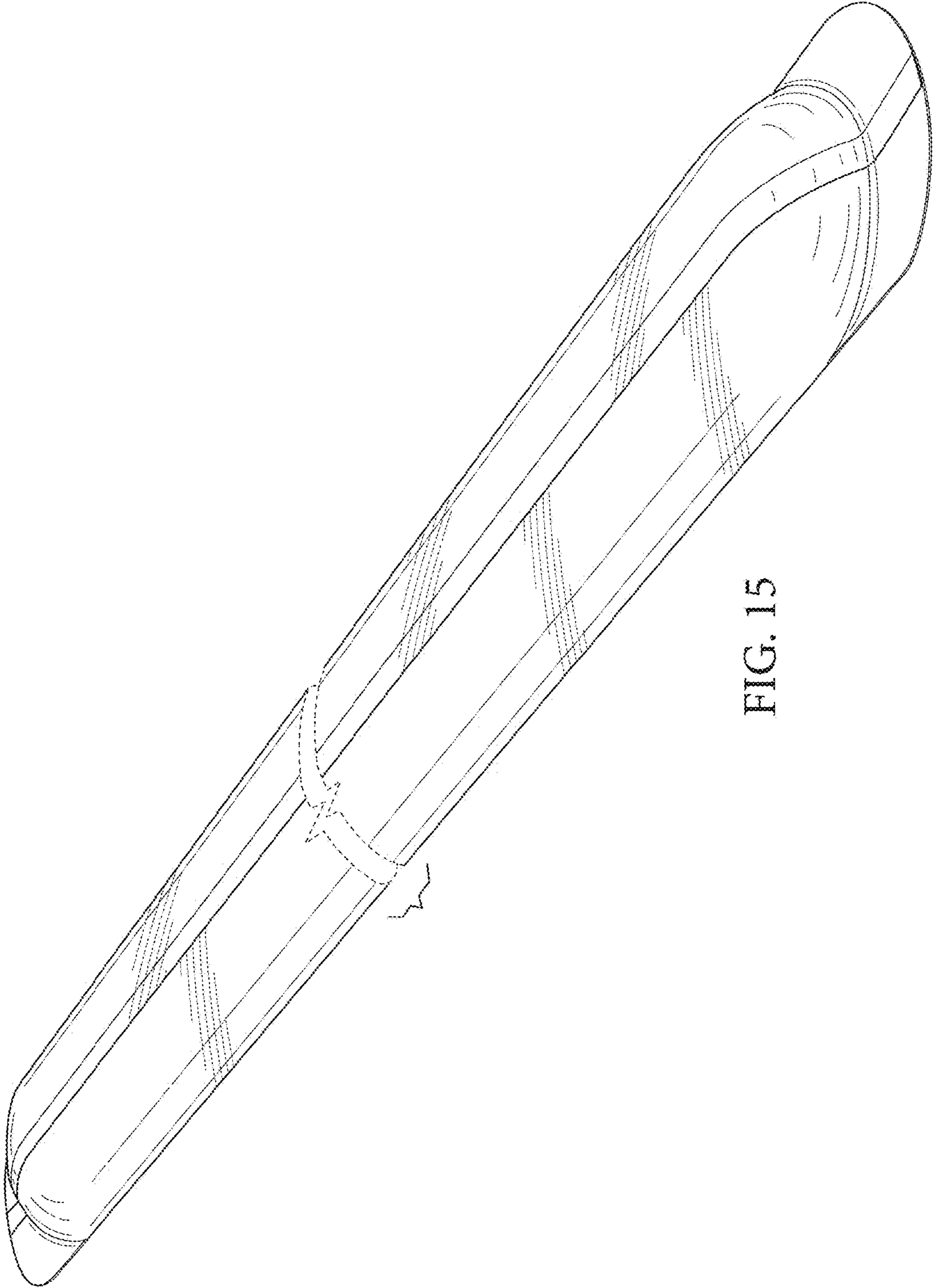


FIG. 15

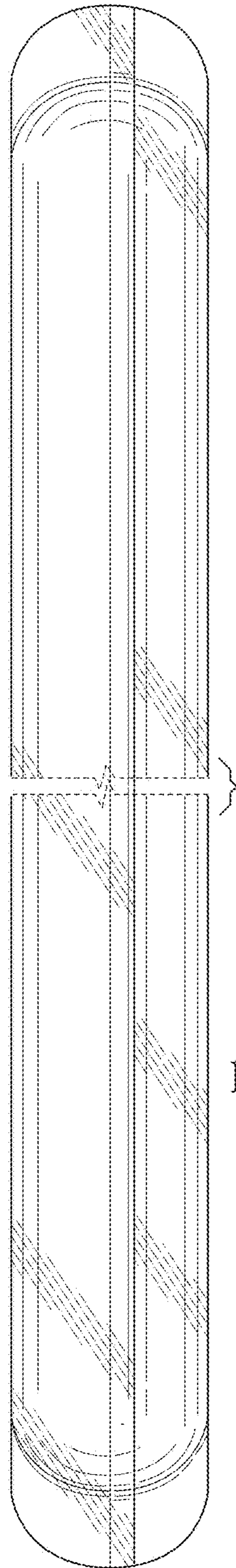


FIG. 16

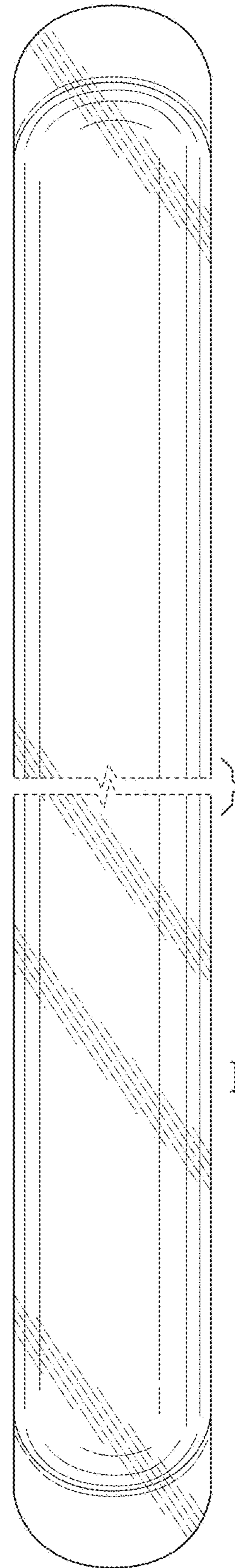


FIG. 17

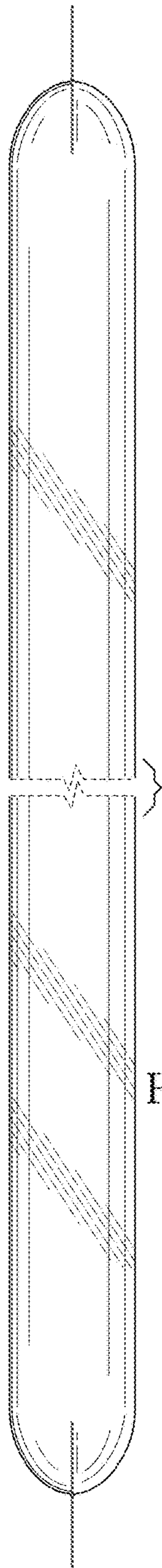


FIG. 18

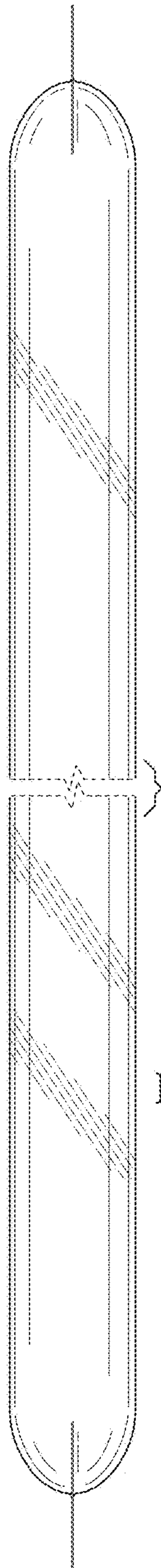


FIG. 19

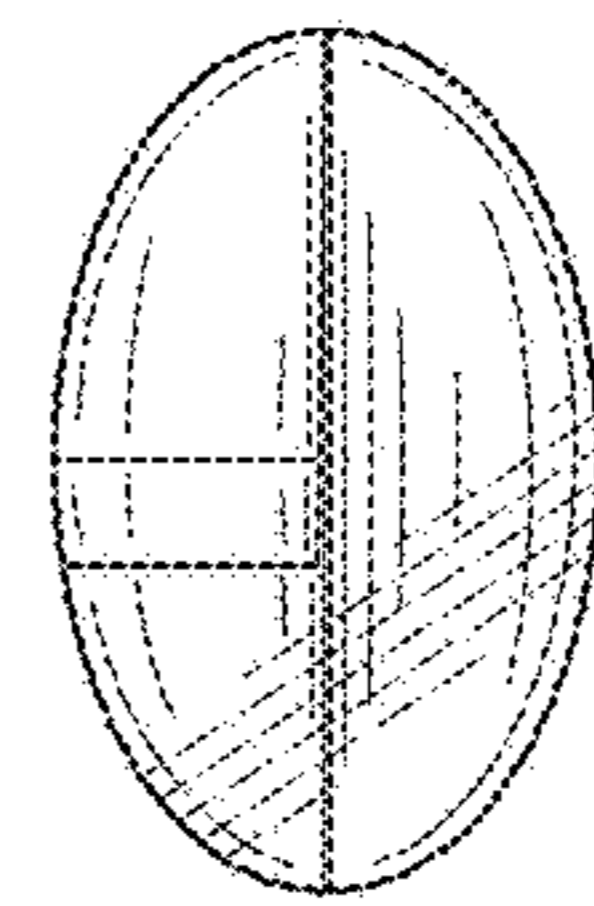


FIG. 20

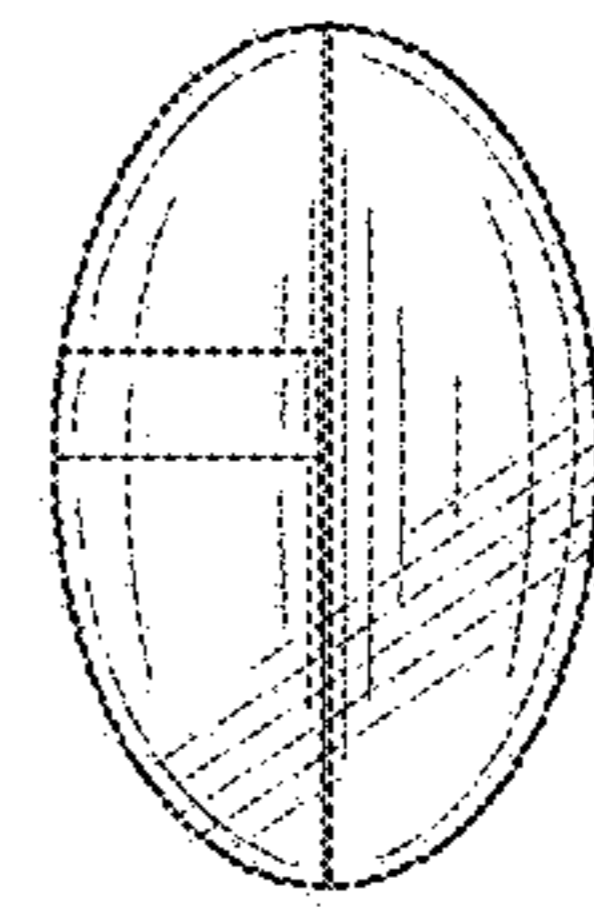


FIG. 21