



US00D773309S

(12) **United States Design Patent**
Guercio

(10) **Patent No.:** **US D773,309 S**

(45) **Date of Patent:** **** Dec. 6, 2016**

(54) **CONTAINER WITH HANDLE**
(71) Applicant: **Alfred Guercio**, Yonkers, NY (US)
(72) Inventor: **Alfred Guercio**, Yonkers, NY (US)
(**) Term: **14 Years**

D378,335 S * 3/1997 Liebling D7/536
D511,100 S * 11/2005 Nottingham D9/528
D541,662 S * 5/2007 Little D9/522
D588,008 S * 3/2009 Flanagan-Kent D9/531
2007/0158300 A1* 7/2007 Young B65D 23/106
215/396

(21) Appl. No.: **29/520,120**
(22) Filed: **Mar. 11, 2015**
(51) **LOC (10) Cl.** **09-01**
(52) **U.S. Cl.**
USPC **D9/531**
(58) **Field of Classification Search**
USPC D9/521-523, 530, 535, 537-546,
558,D9/561, 571-575, 689; 215/382-385,
396, 215/398, 400; 220/660, 669, 675;
222/210, 212, 222/213
CPC B29C 49/04; B65D 1/0223; B65D 1/0207;
B65D 1/023; B65D 1/0284; B65D 90/02;
B29K 2067/00; B29L 2031/7158
See application file for complete search history.

* cited by examiner
Primary Examiner — Ian Simmons
Assistant Examiner — Janice Lim
(74) *Attorney, Agent, or Firm* — Caesar Rivise, PC

(57) **CLAIM**

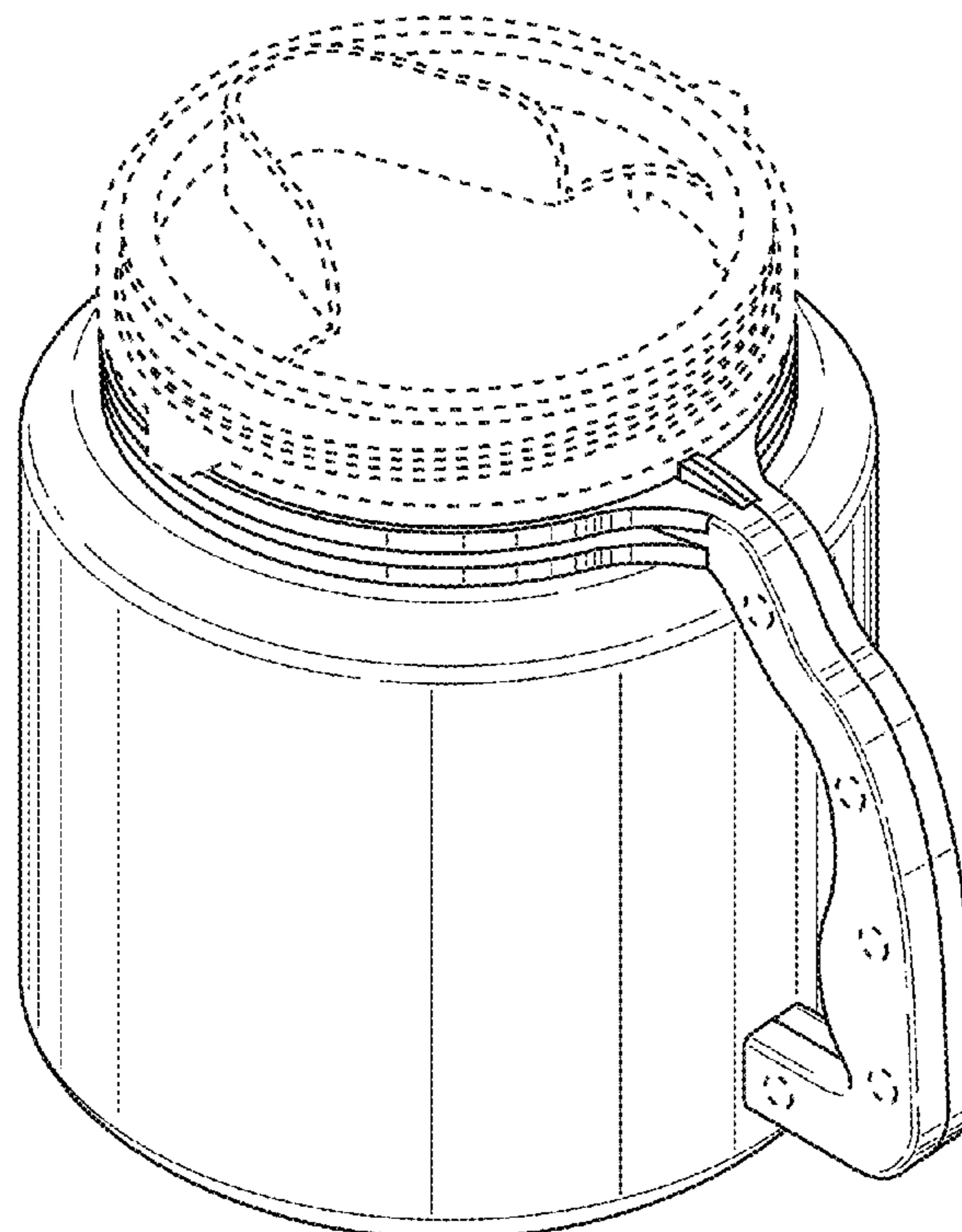
The ornamental design for a container with handle, as shown and described.

DESCRIPTION

FIG. 1 is a perspective view of a container with handle, showing my new design;
FIG. 2 is a left side elevational view thereof;
FIG. 3 is a rear elevational view thereof;
FIG. 4 is right side elevational view thereof;
FIG. 5 is front elevational view thereof;
FIG. 6 is a top plan view thereof; and,
FIG. 7 is a bottom plan view thereof.
The broken line portions show unclaimed subject matter only and form no part of the claimed design.

(56) **References Cited**
U.S. PATENT DOCUMENTS
4,602,723 A * 7/1986 DeMars A47G 23/0266
220/742
D370,156 S * 5/1996 Feltman, III D7/511

1 Claim, 4 Drawing Sheets



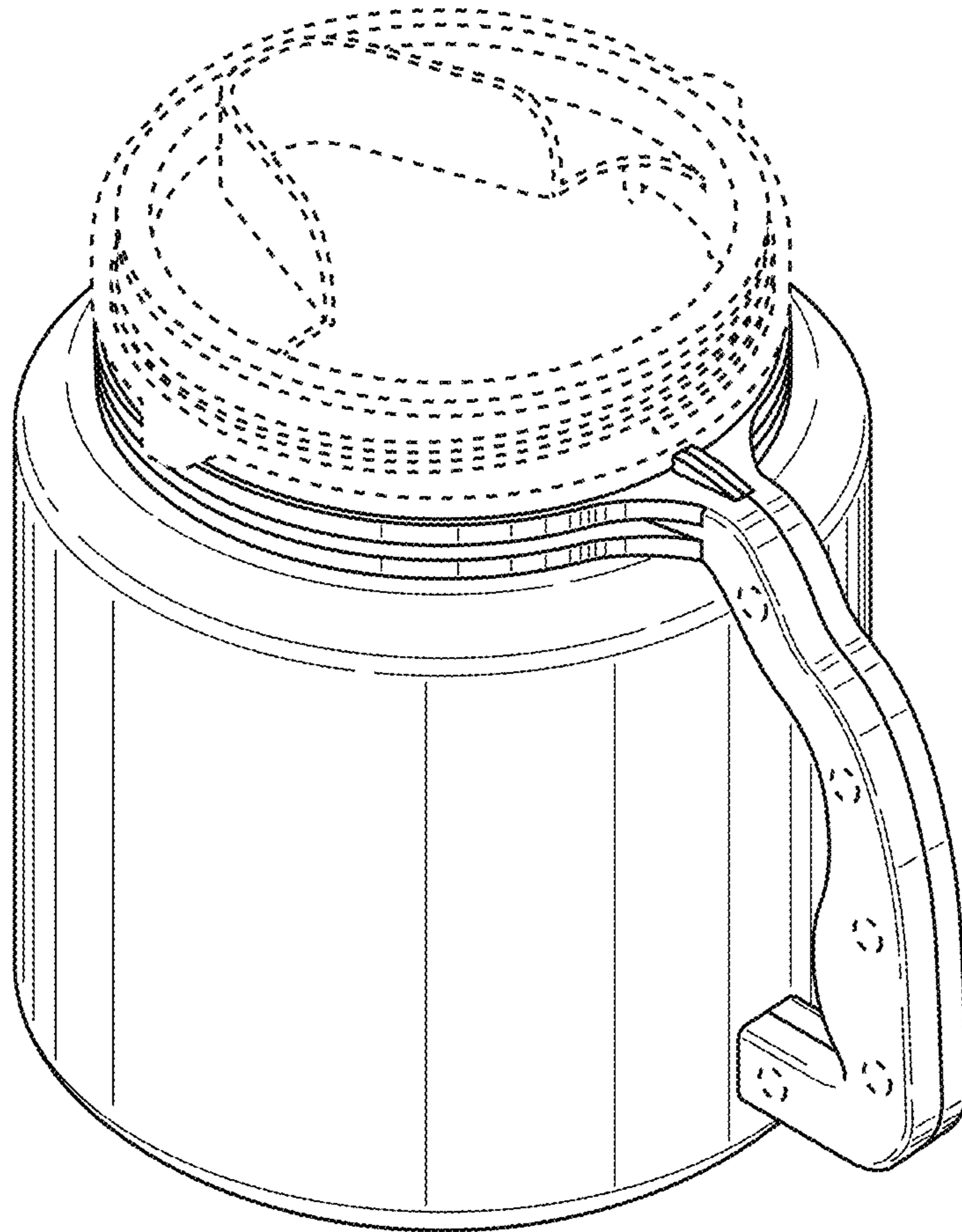


FIG. 1

FIG. 2

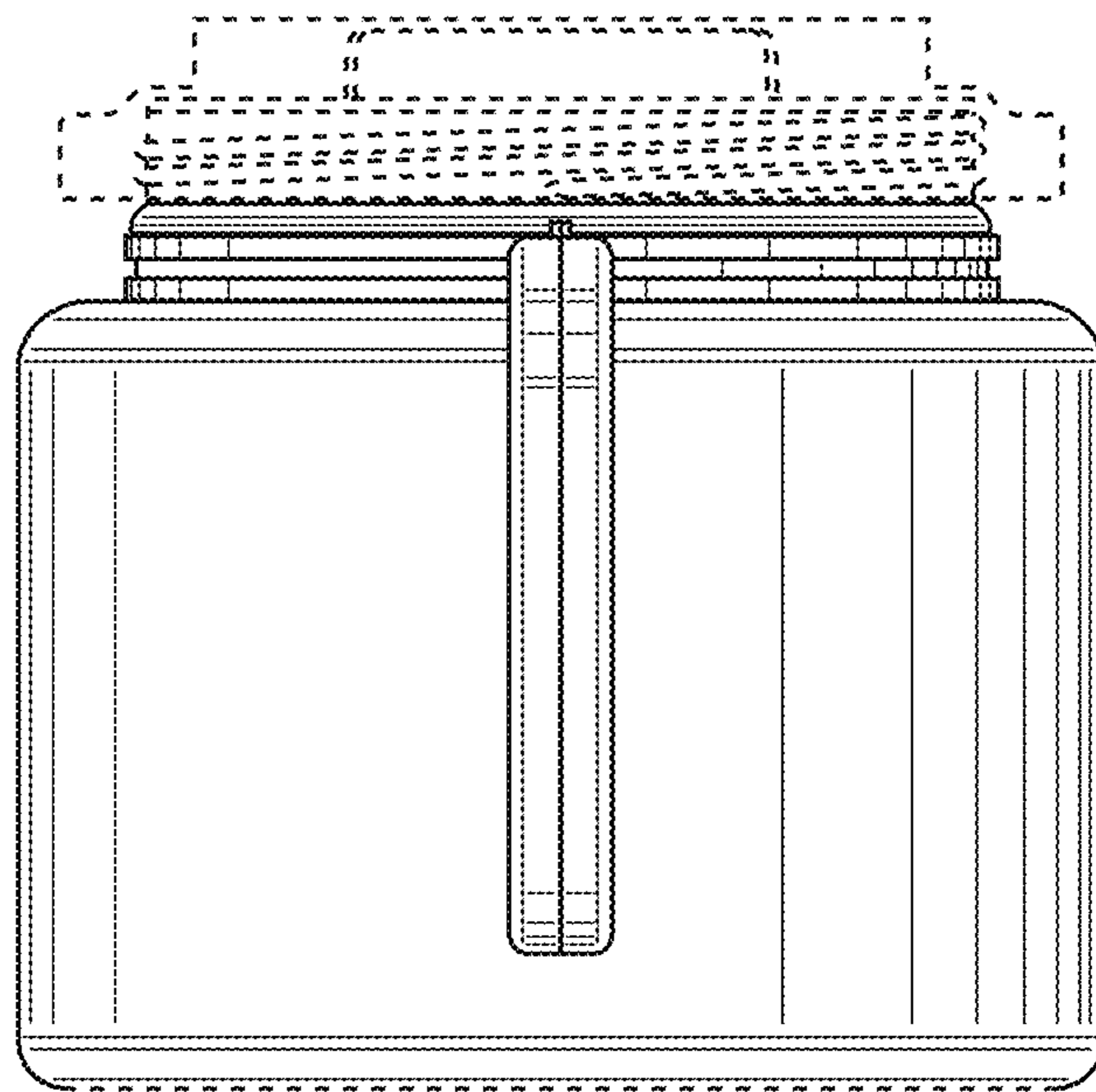
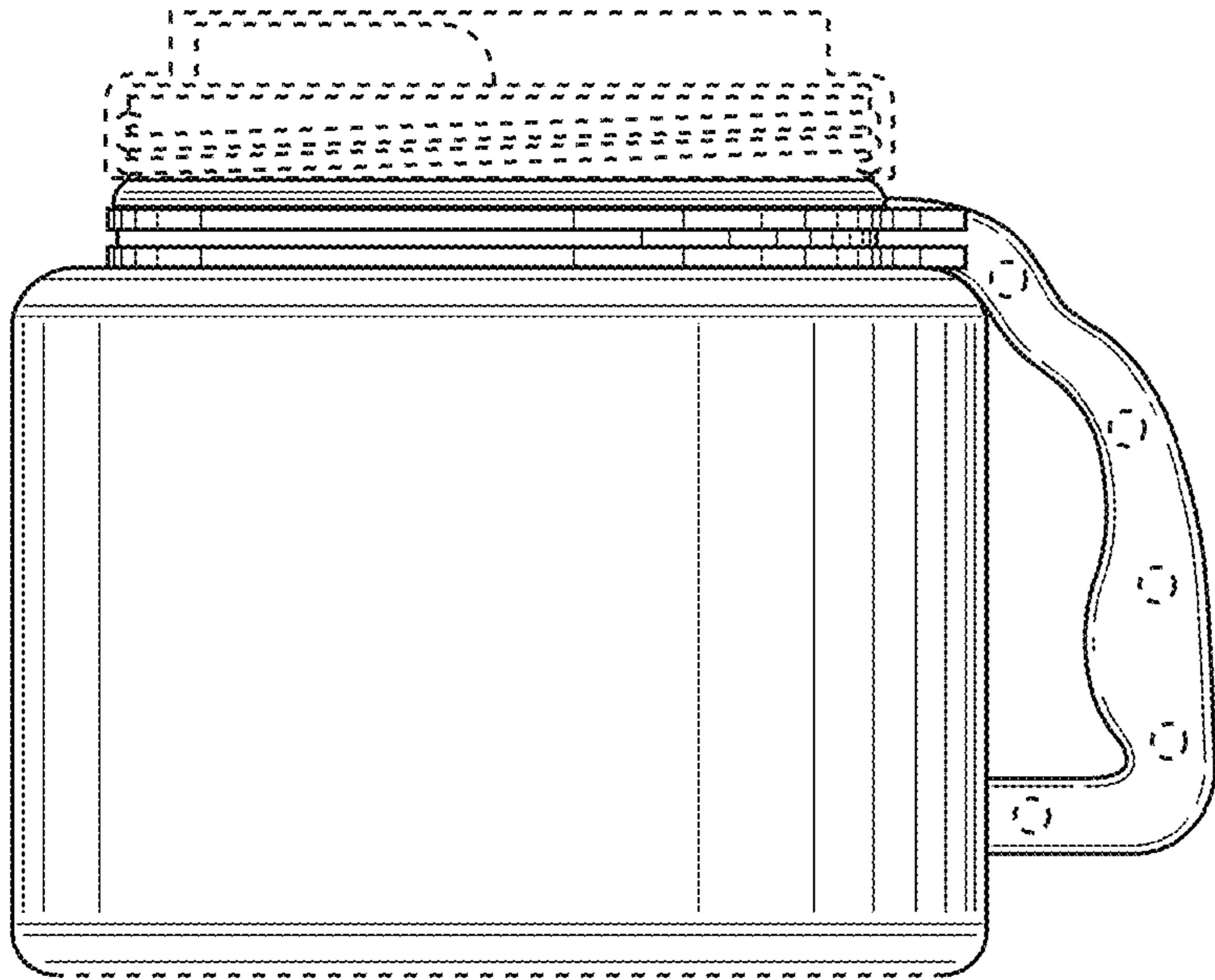


FIG. 3

FIG. 4

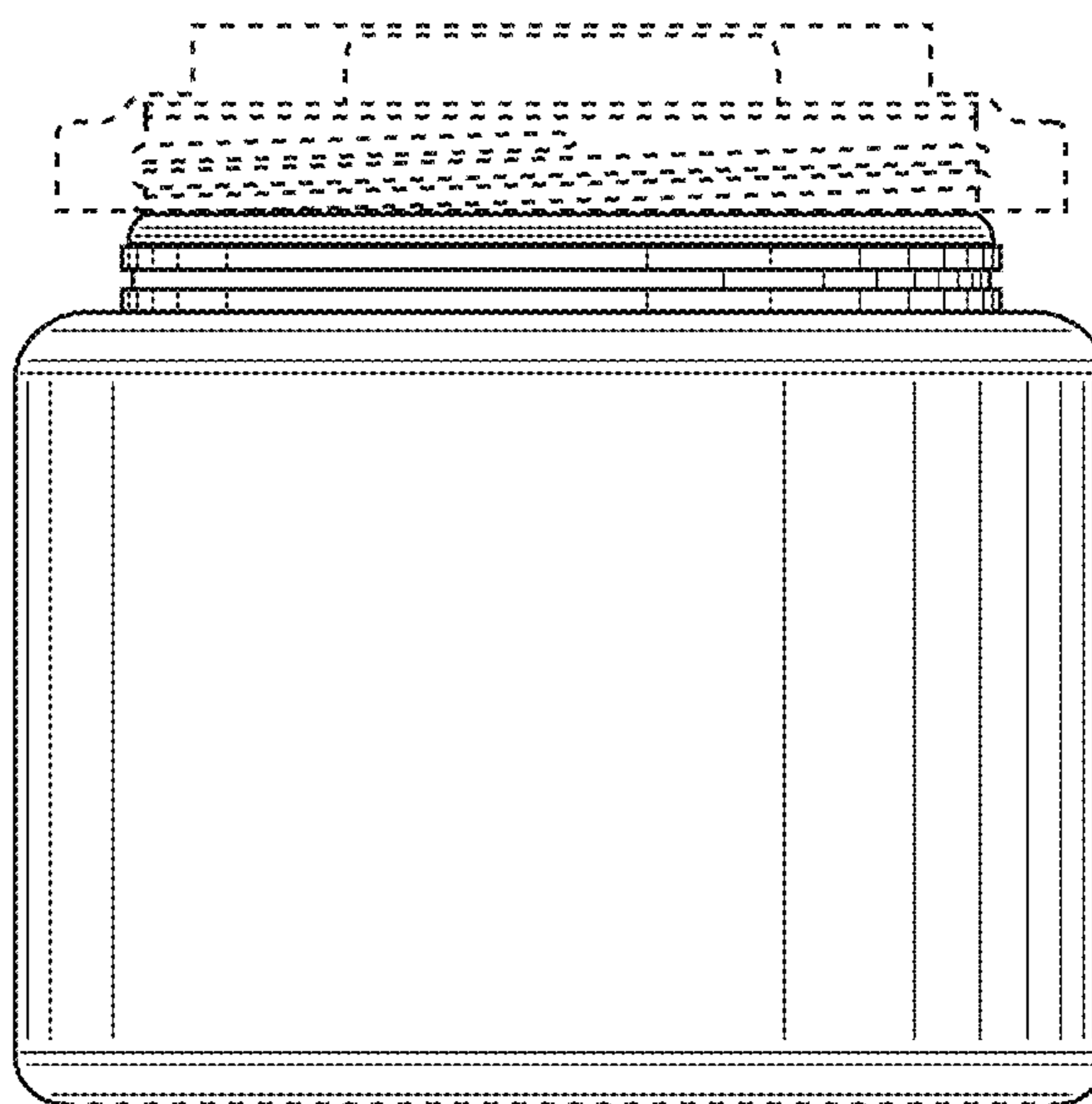
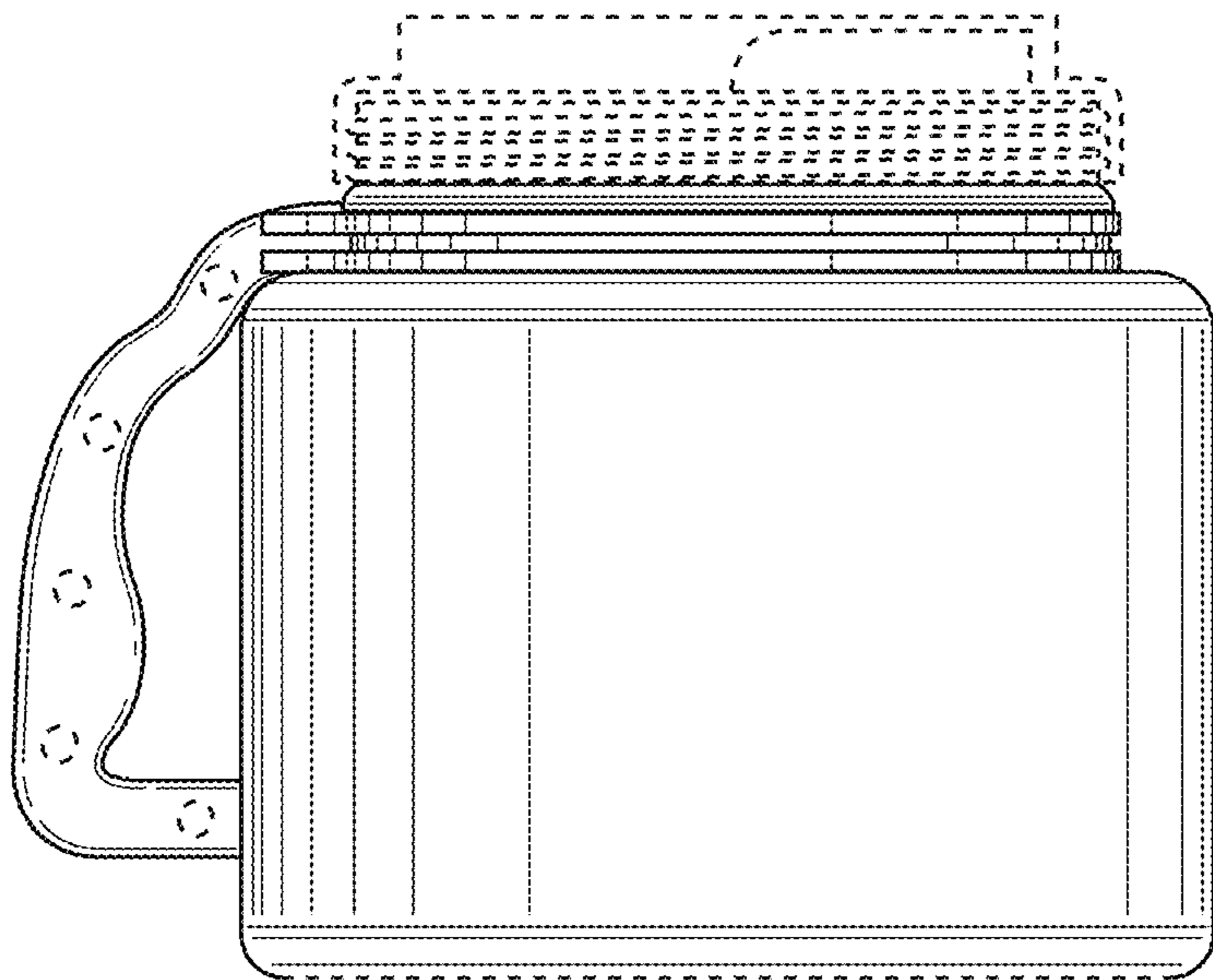


FIG. 5

FIG. 6

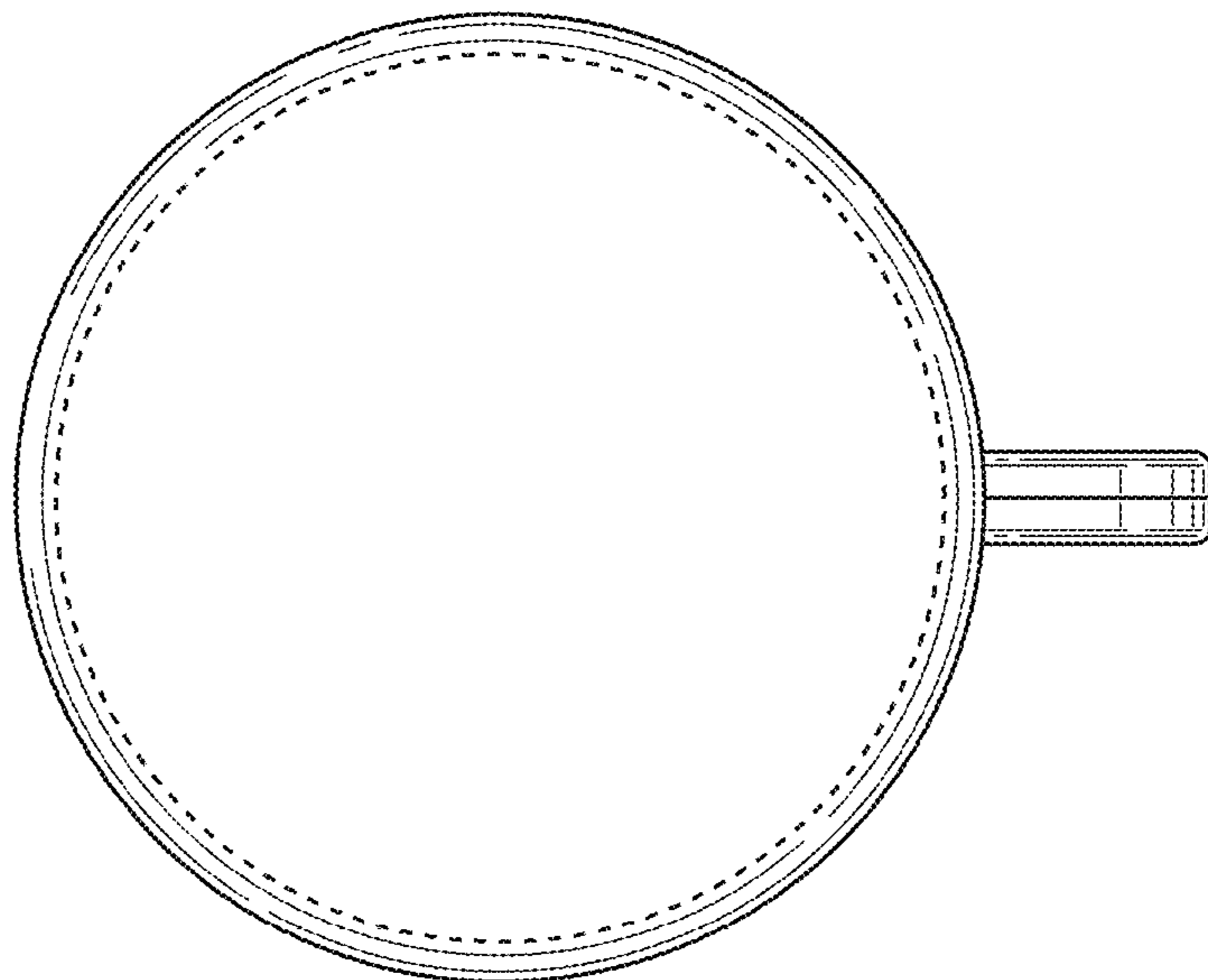
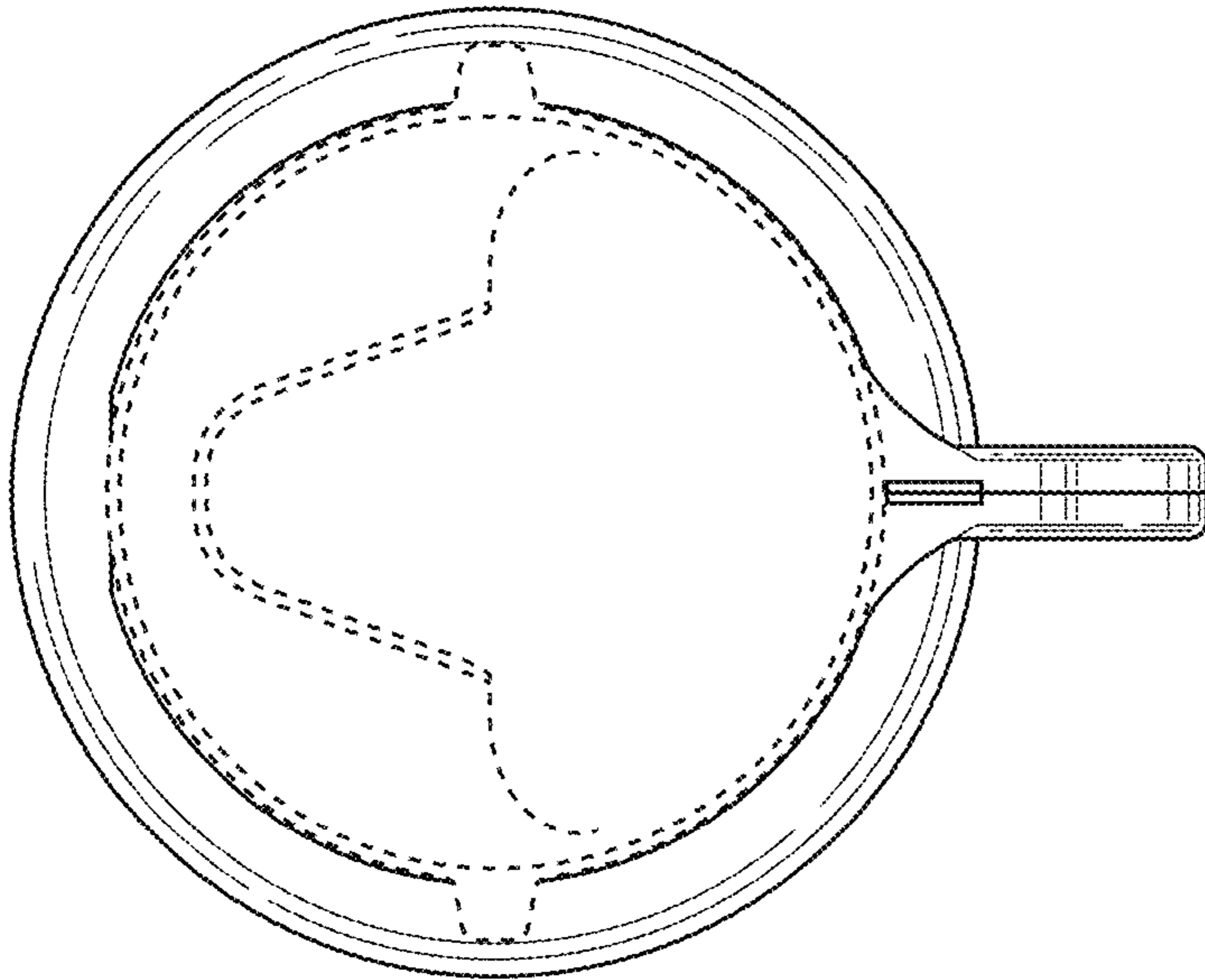


FIG. 7