



US00D773308S

(12) **United States Design Patent** (10) **Patent No.:** **US D773,308 S**  
**Beckerman et al.** (45) **Date of Patent:** **\*\* Dec. 6, 2016**

(54) **CONTAINER** D367,010 S 2/1996 Moore et al.  
D379,765 S 6/1997 Hencher  
(71) Applicant: **Colgate-Palmolive Company**, New York, NY (US) D394,211 S 5/1998 Kuzma et al.  
D407,304 S \* 3/1999 Crawford ..... D9/542  
D438,804 S 3/2001 Gonda et al.  
(Continued)

(72) Inventors: **Scott Beckerman**, Jersey City, NJ (US); **Corinne Ashbee**, Wiltshire (GB)

FOREIGN PATENT DOCUMENTS

(73) Assignee: **Colgate-Palmolive Company**, New York, NY (US)

CN 3550371 \* 8/2006  
GB 2054888 \* 7/1996

(Continued)

(\*\*) Term: **14 Years**

OTHER PUBLICATIONS

(21) Appl. No.: **29/472,029**

Amazon.com : Colgate Total Advanced Pro-Shield Mouthwash, Peppermint, review Sep. 15, 2013, online, <http://www.amazon.com/Colgate-Advanced-Pro-Shield-Mouthwash-Peppermint/dp/Booe> . . . site visited Sep. 17, 2015.\*

(22) Filed: **Nov. 7, 2013**

(51) **LOC (10) Cl.** ..... **09-01**

(52) **U.S. Cl.**  
USPC ..... **D9/530**; D9/444; D9/452; D9/454;  
D9/550; D9/552; D9/563; D9/565

(Continued)

(58) **Field of Classification Search**  
USPC ..... D9/516, 519, 530, 535,  
537-539, D9/541-545, 550-554, 558-559,  
565-7, 563, D9/431, 435, 439-440,  
444-447, 449-450, D9/454, 522, 524, 526,  
561, 572-575, 649, D9/655, 682, 685,  
688-693, 723-724; D19/79-84, 93;  
D23/211.1-211.2; D4/16; D28/7, 73,  
76-77, 83; D7/510, 511; D3/202  
CPC ..... A47J 41/02; A47J 41/0077; B65D 1/0215;  
B65D 1/0223; B65D 23/102; B65D  
23/106; B29L 2031/463  
See application file for complete search history.

*Primary Examiner* — John Windmuller  
*Assistant Examiner* — John R Yeh

(57) **CLAIM**

The ornamental design for a container, as shown and described.

**DESCRIPTION**

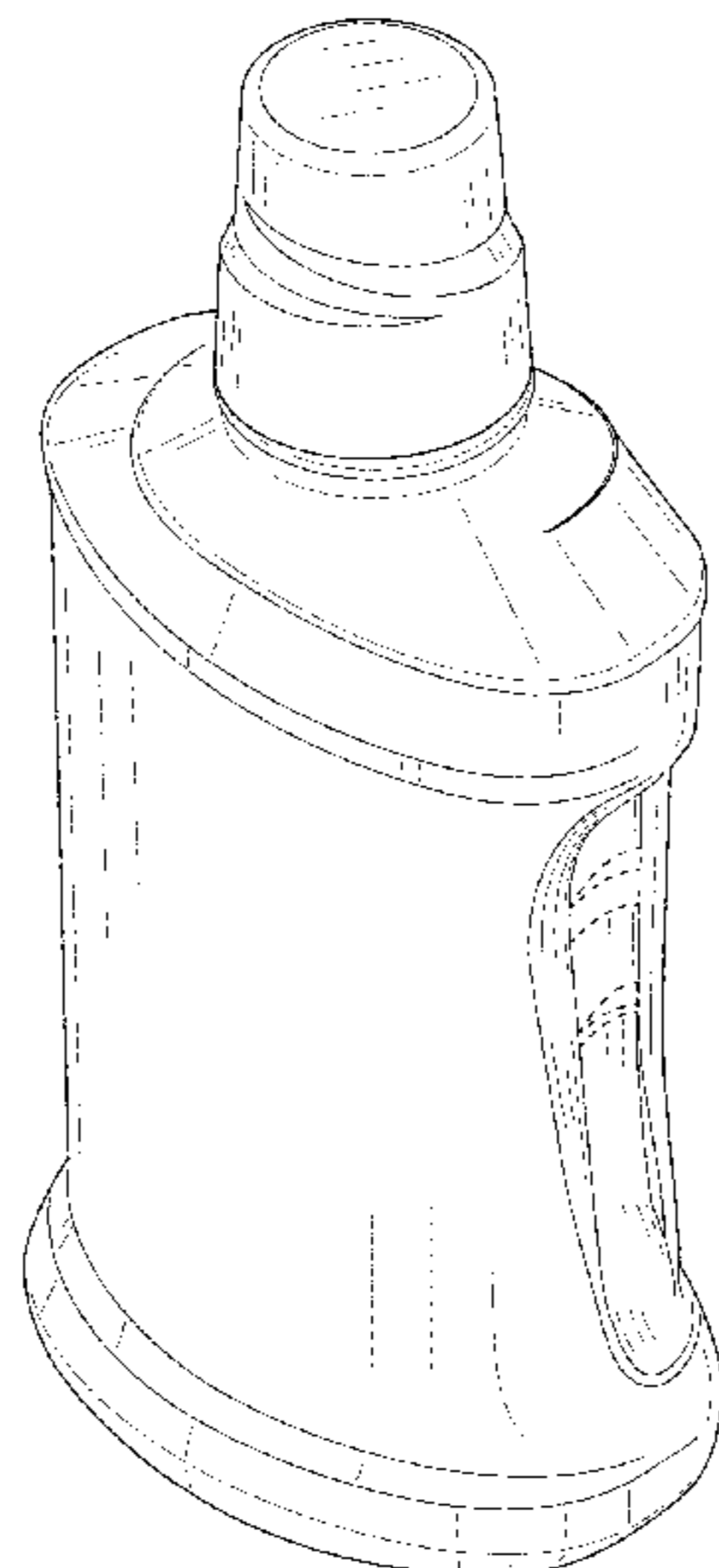
FIG. 1 is a right front perspective view of a container according to the new design;  
FIG. 2 is a front elevational view thereof;  
FIG. 3 is a rear elevational view thereof;  
FIG. 4 is a right side elevational view thereof;  
FIG. 5 is a left side elevational view thereof;  
FIG. 6 is a top plan view thereof; and,  
FIG. 7 is a bottom plan view thereof.  
All broken lines of FIGS. 1, 3-5, 7 are included to show unclaimed subject matter only and form no part of the claimed design.

(56) **References Cited**

U.S. PATENT DOCUMENTS

D282,050 S \* 1/1986 Beaver ..... D9/547  
D306,977 S 4/1990 Waterman  
D316,225 S 4/1991 Edstrom et al.  
D327,640 S 7/1992 Sherman et al.  
D347,579 S 6/1994 Hann et al.

**1 Claim, 5 Drawing Sheets**



(56)

References Cited

U.S. PATENT DOCUMENTS

D439,150 S \* 3/2001 Gonda ..... D9/542  
 D443,825 S \* 6/2001 Goettner ..... D9/530  
 D449,538 S \* 10/2001 Burlson ..... D9/530  
 D451,377 S \* 12/2001 Johnson ..... D9/539  
 D452,159 S 12/2001 Belser et al.  
 D472,813 S 4/2003 Wright  
 D472,814 S \* 4/2003 Wright ..... D9/530  
 D507,970 S 8/2005 Bonaldes et al.  
 D527,645 S \* 9/2006 Pedmo ..... D9/542  
 D538,670 S \* 3/2007 Muhlhausen ..... D9/531  
 D539,155 S \* 3/2007 Steinmann ..... D9/530  
 D539,659 S \* 4/2007 Cleary ..... D9/542  
 D550,078 S \* 9/2007 Henry ..... D9/435  
 D552,474 S \* 10/2007 Carr ..... D9/526  
 D553,502 S \* 10/2007 Toh ..... D9/530  
 D583,243 S \* 12/2008 Botti ..... D9/530  
 D619,471 S 7/2010 Graunstadt et al.  
 D619,898 S \* 7/2010 Graham ..... D9/540  
 D635,464 S 4/2011 Kuzma et al.  
 D643,730 S \* 8/2011 Booth ..... D9/453  
 D643,732 S 8/2011 Cummings et al.  
 D643,738 S 8/2011 Cummings et al.

D645,757 S 9/2011 Milhem et al.  
 D649,473 S 11/2011 Zach et al.  
 D659,544 S 5/2012 Labadie et al.  
 D666,104 S 8/2012 Cummings et al.  
 D666,105 S 8/2012 Cummings et al.  
 D670,172 S \* 11/2012 Bruscha ..... D9/542  
 D672,649 S \* 12/2012 Cummings ..... D9/445  
 D675,926 S \* 2/2013 Tovar ..... D9/537  
 D676,754 S 2/2013 Cummings et al.  
 D690,597 S \* 10/2013 Cummings ..... D9/516  
 D690,598 S \* 10/2013 Cummings ..... D9/516

FOREIGN PATENT DOCUMENTS

RU 00079246 \* 8/2011  
 RU 00085142 \* 5/2013

OTHER PUBLICATIONS

Amazon.com : Listerine Smart Rinse, Avengers Assemble, Mint Shield, review Aug. 1, 2012, online, <http://www.amazon.com/Listerine-Smart-Avengers-Assemble-Shield/dp/B005G49AKG/> re . . . site visited Sep. 17, 2015.\*

\* cited by examiner

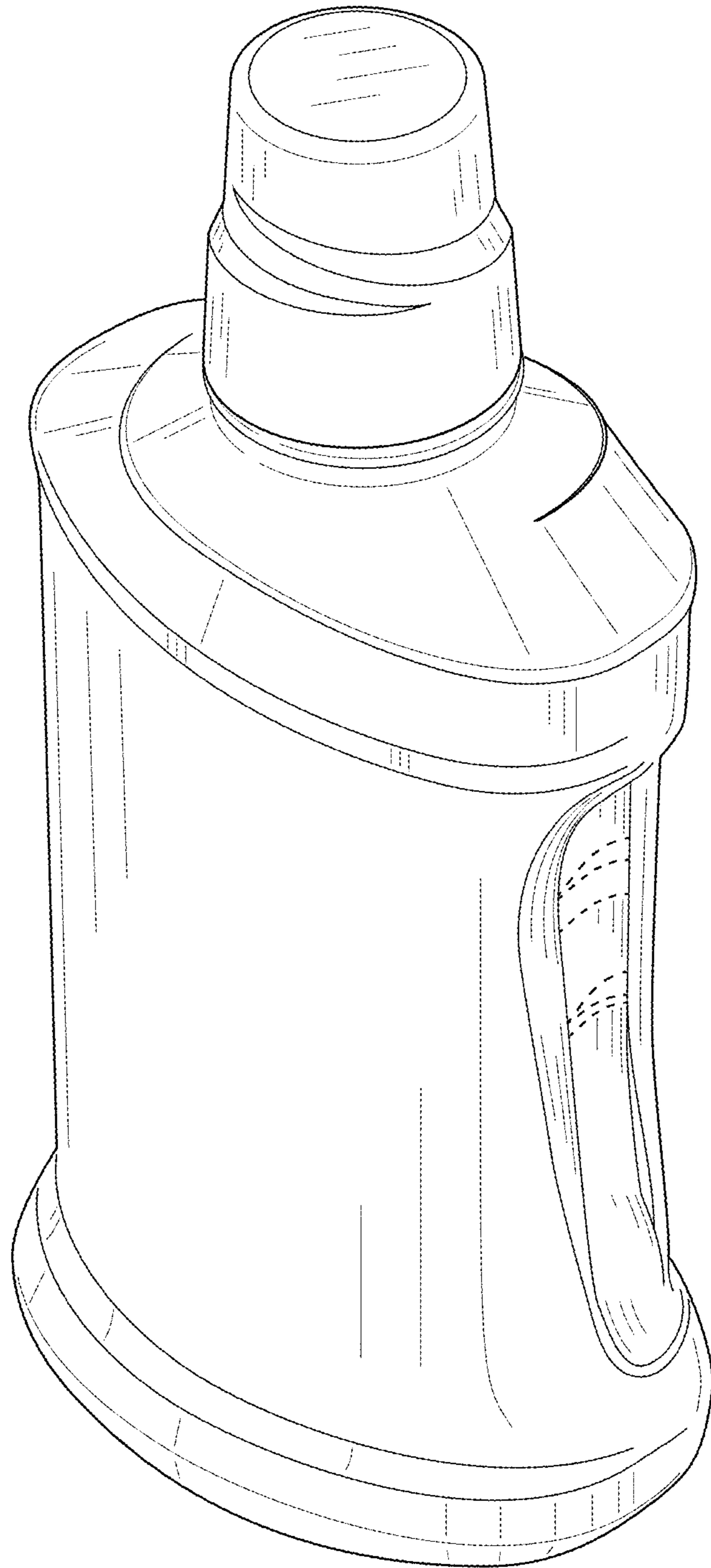


FIG. 1

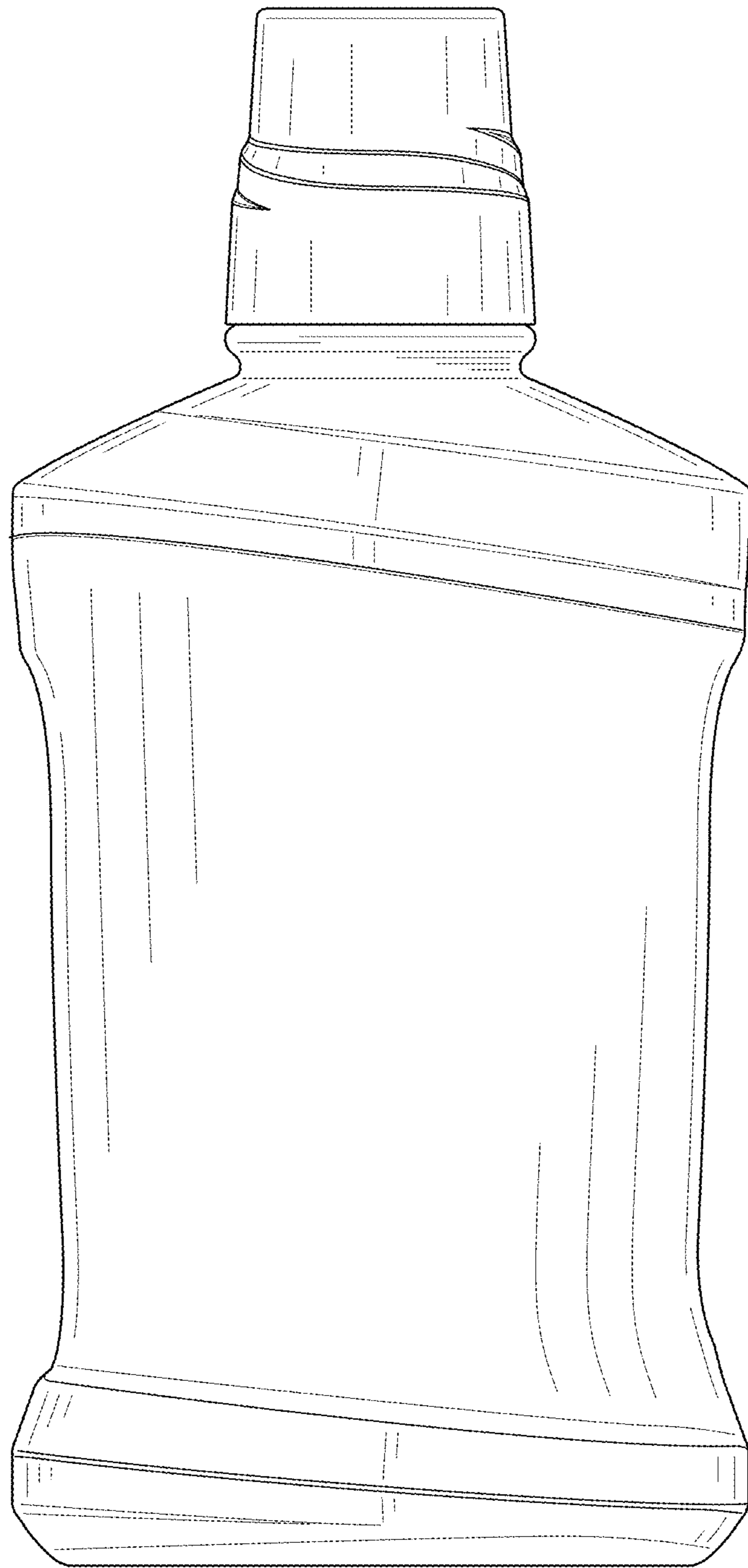


FIG. 2

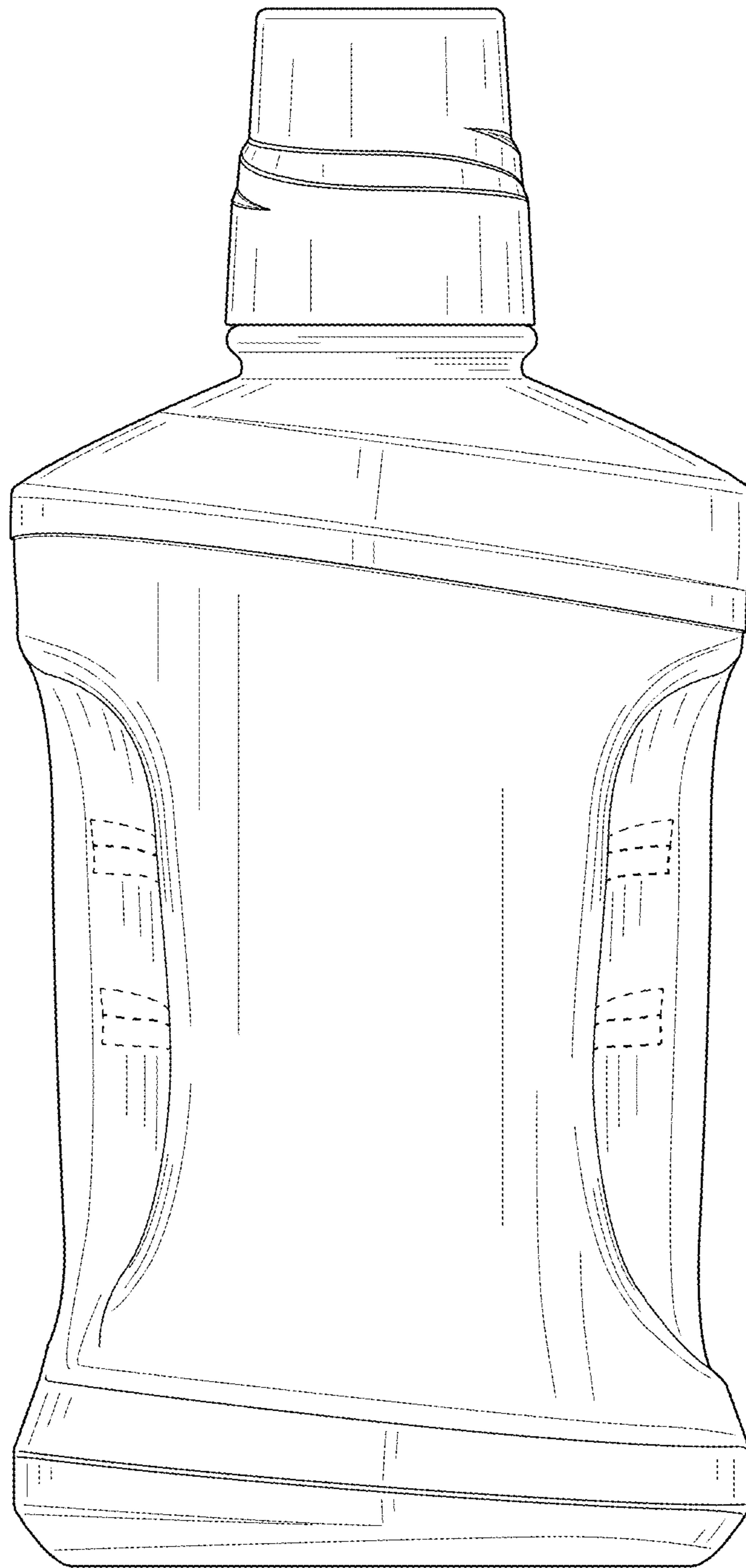


FIG. 3

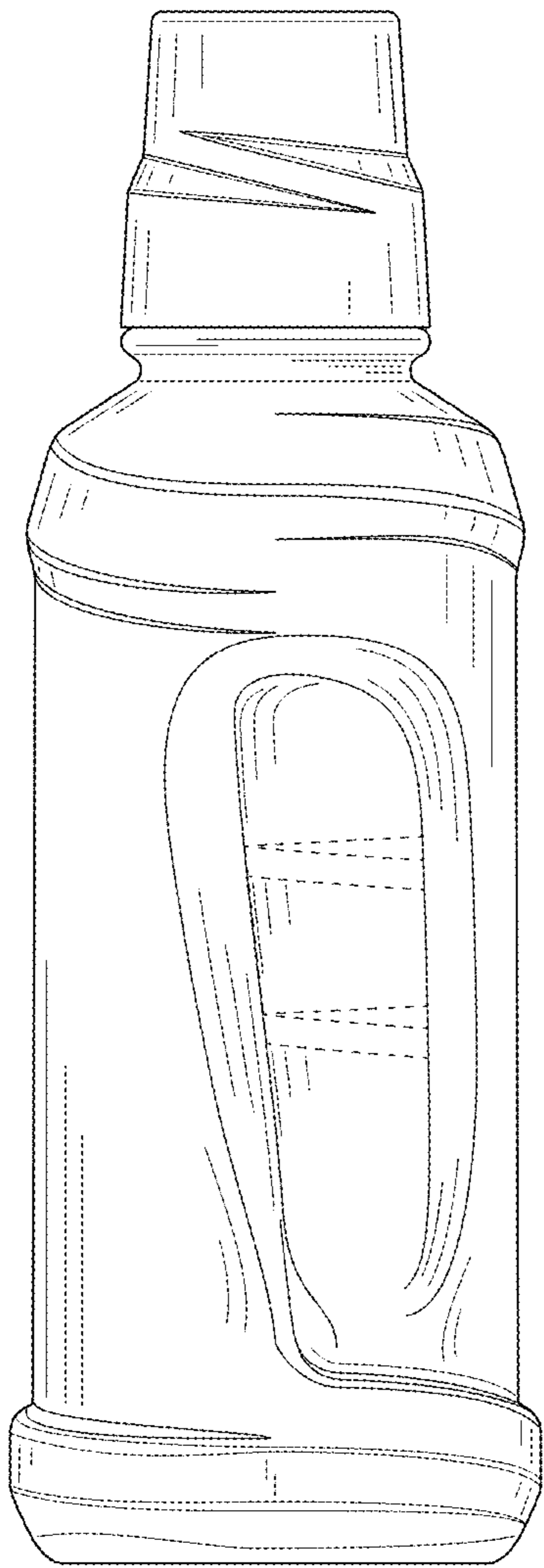


FIG. 4

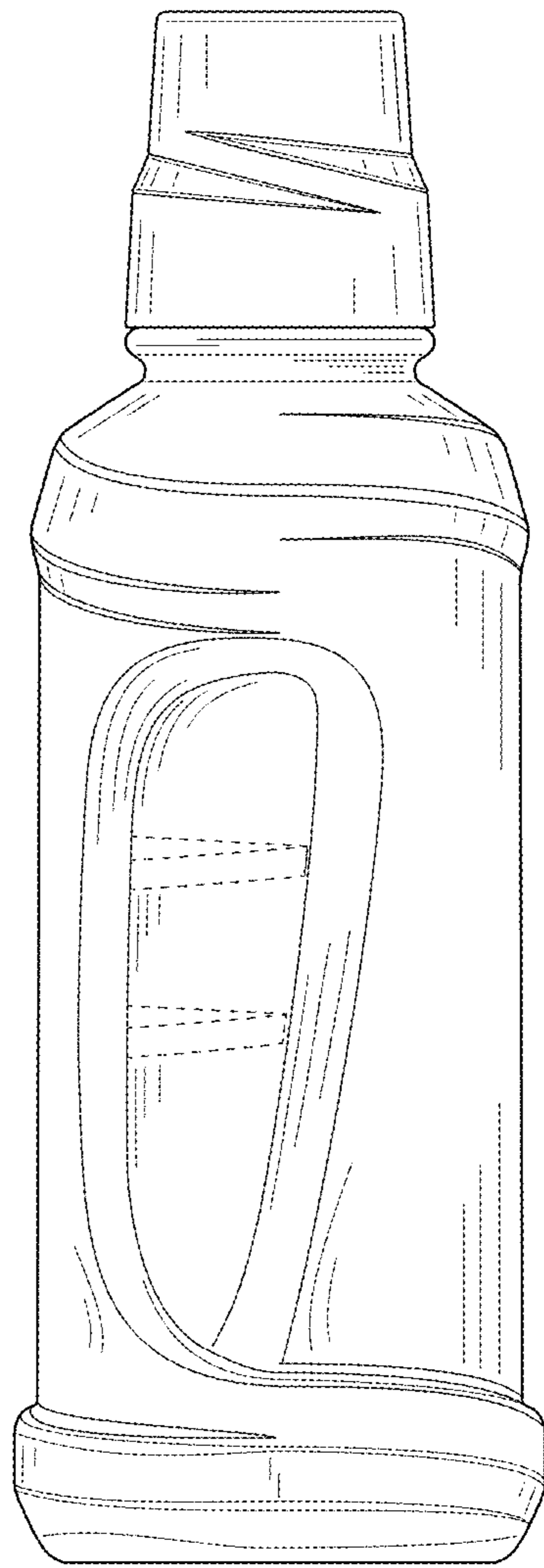


FIG. 5

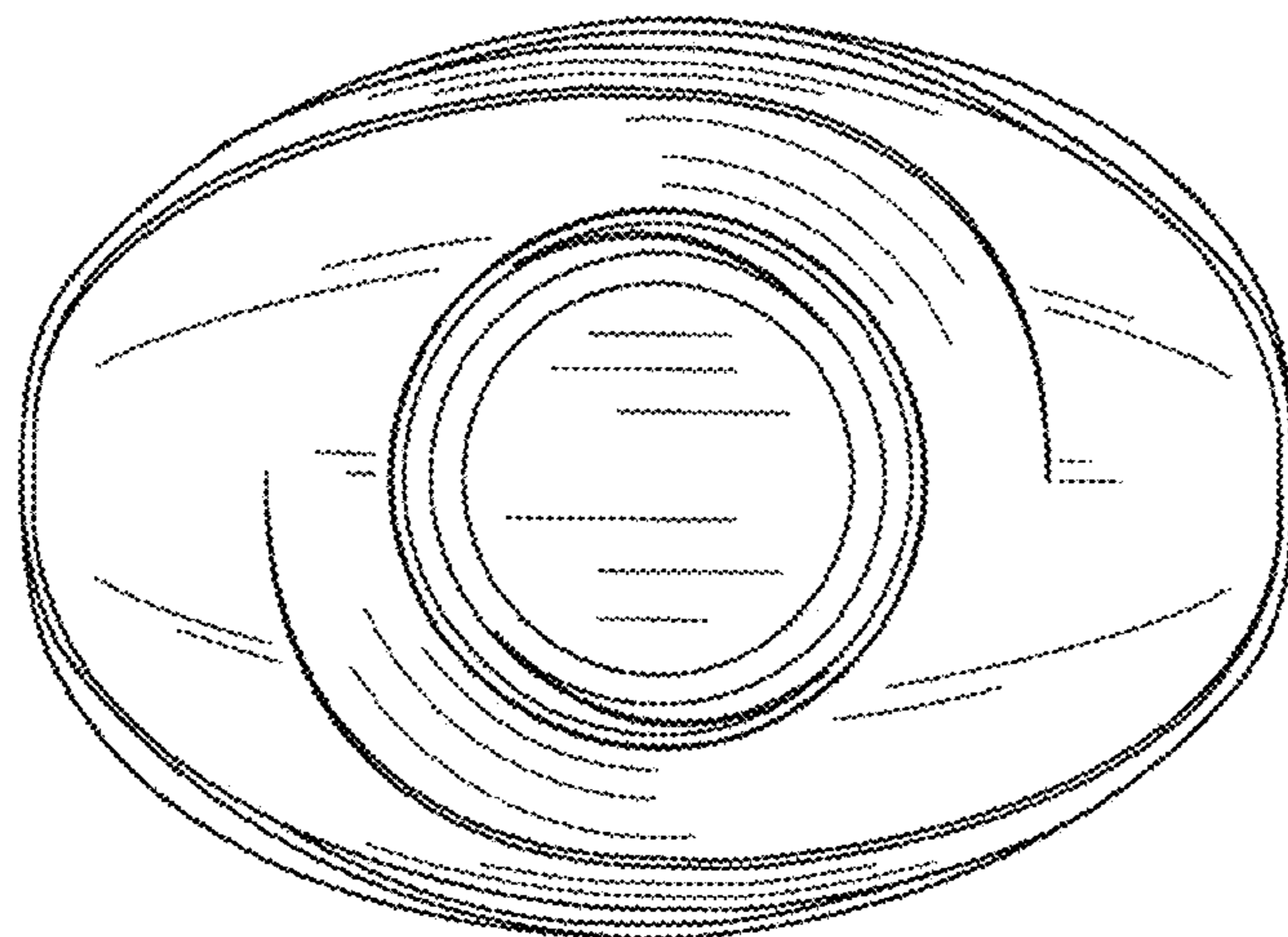


FIG. 6

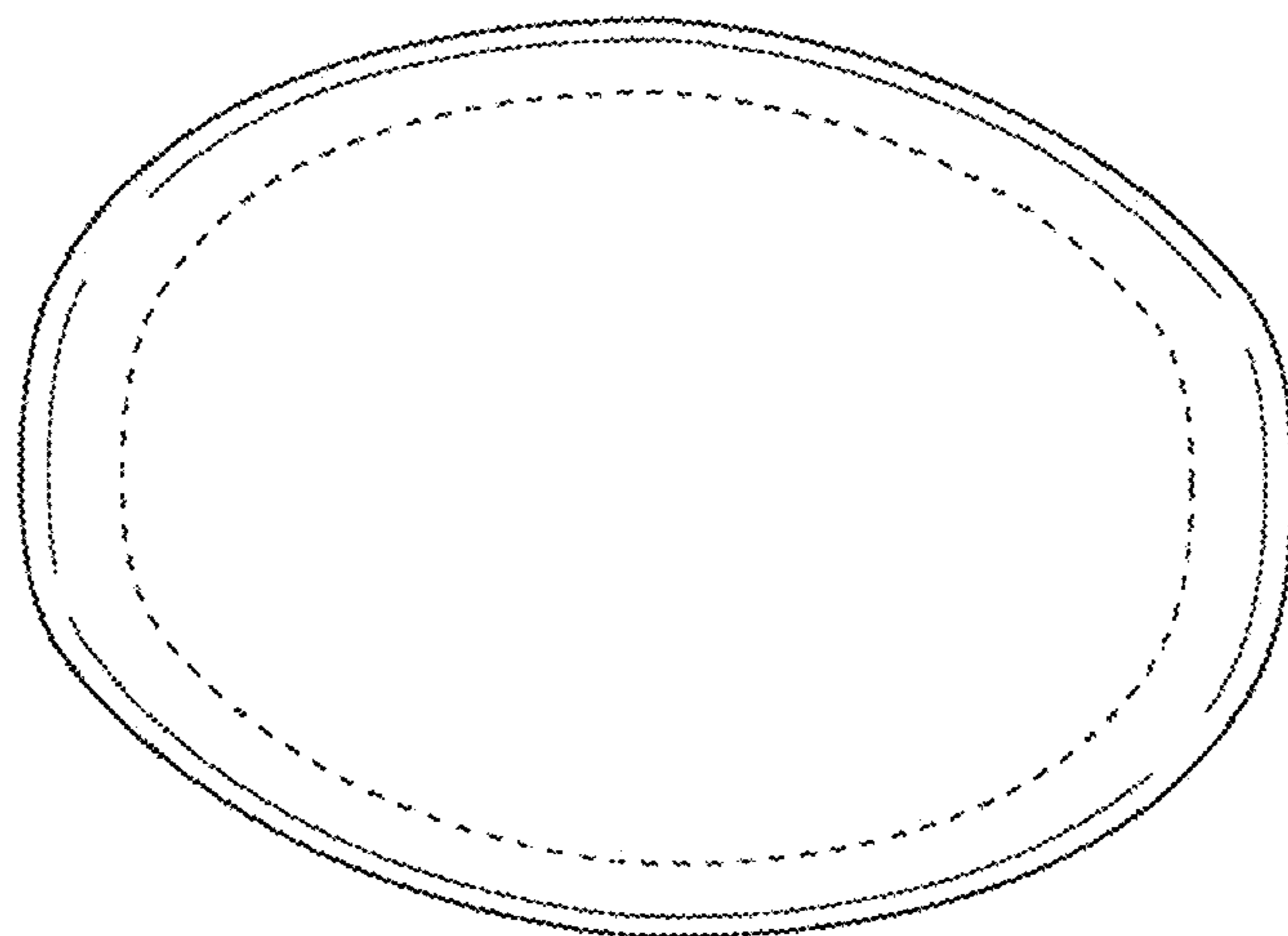


FIG. 7