



US00D773305S

(12) **United States Design Patent** (10) **Patent No.:** **US D773,305 S**
Toh et al. (45) **Date of Patent:** **** Dec. 6, 2016**

- (54) **CONTAINER**
- (71) Applicant: **COLGATE-PALMOLIVE COMPANY**, New York, NY (US)
- (72) Inventors: **Kiat-Cheong Toh**, Forest Hills, NY (US); **Thomas VanDyk**, Ramsey, NJ (US); **Roland Charriez**, Plattekill, NY (US); **David Demar**, Tenafly, NY (US); **Keith Kristiansen**, Stratford, CT (US); **Simon Dutton**, New City, NY (US)
- (73) Assignee: **Colgate-Palmolive Company**, New York, NY (US)
- (**) Term: **14 Years**
- (21) Appl. No.: **29/502,646**
- (22) Filed: **Sep. 18, 2014**
- (51) **LOC (10) Cl.** **09-01**
- (52) **U.S. Cl.**
USPC **D9/529**; D9/565; D9/449
- (58) **Field of Classification Search**
USPC D9/682-694, 516-575, 435, 436, 446, D9/447, 449
CPC B65D 1/02; B65D 1/023; B65D 1/0223; B65D 1/0246; B65D 2501/0081; B65D 2501/009; B65D 47/08; B65D 47/0804; B65D 47/0809; B65D 47/0814; B65D 47/0838; B65D 47/2018; B65D 51/249
See application file for complete search history.

- D179,309 S 5/1997 Crawford
- D382,209 S 8/1997 Fenton et al.
- D398,238 S 9/1998 Bertolini et al.
- D398,244 S 9/1998 Bertolini et al.

(Continued)

FOREIGN PATENT DOCUMENTS

- AR 70799 2/2003
- AU 134731 8/1998

(Continued)

OTHER PUBLICATIONS

Thailand (TH) registered design document Nos. D113118, D113119, D113120, D113121, D113122, D113123 & D114352, all published in 2012, publication month unknown.*
Thailand (TH) registered design document Nos. D124510 & D124511, both published in 2013, publication month unknown.*
Thailand (TH) registered design document Nos. D93755, D96465, D96498 & D97254, all published in 2009, publication month unknown.*

(Continued)

Primary Examiner — Catherine Tuttle

(57) **CLAIM**

The ornamental design for a container, as shown and described.

DESCRIPTION

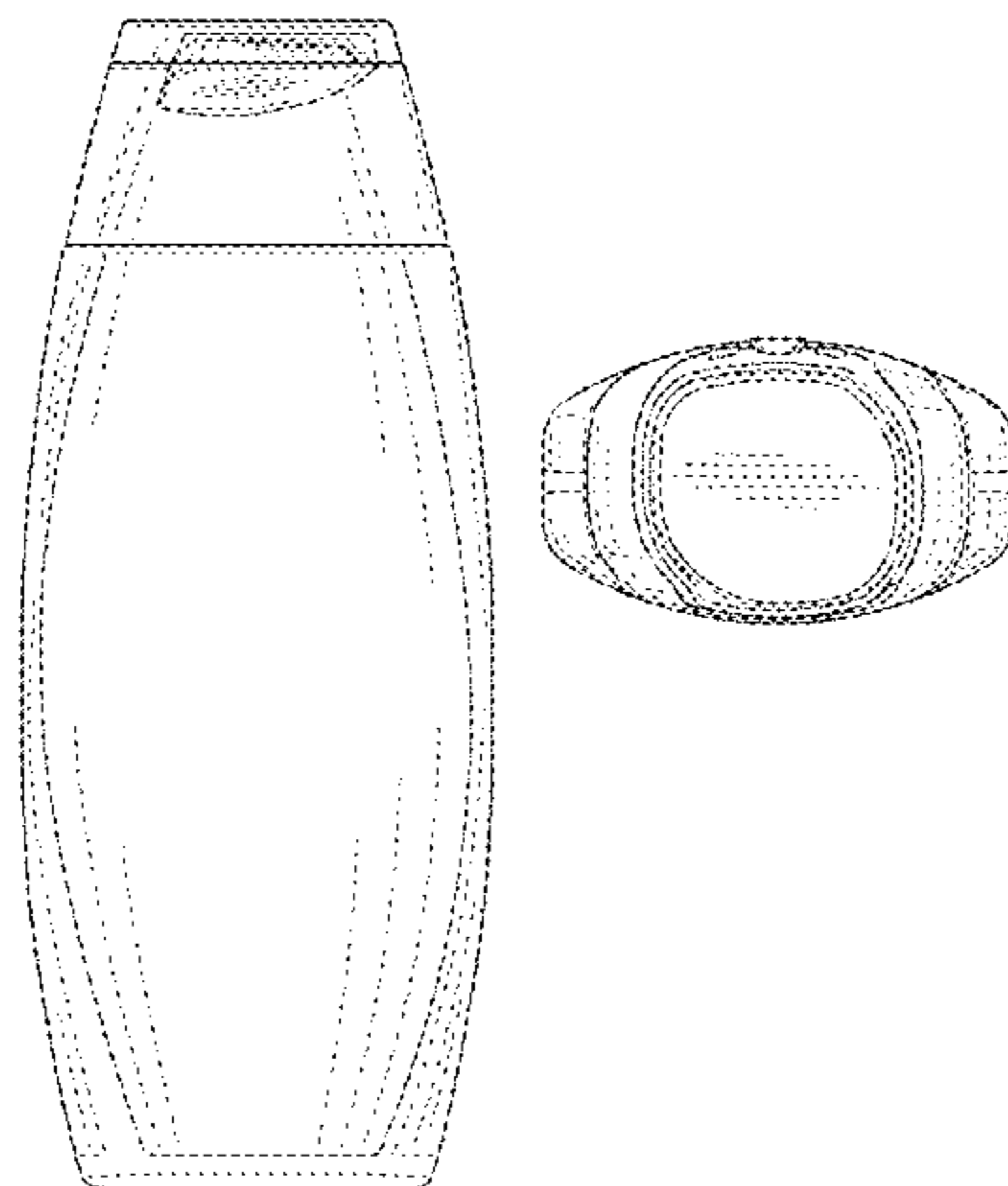
FIG. 1 is a perspective view of a container embodying our new design;
FIG. 2 is a front elevational view thereof;
FIG. 3 is a rear elevational view thereof;
FIG. 4 is a left side elevational view thereof;
FIG. 5 is a right side elevational view thereof;
FIG. 6 is a top plan view thereof; and,
FIG. 7 is a bottom plan view thereof.
The broken lines shown in the drawings are included for the purpose of illustrating environmental structure and form no part of the claimed design.

1 Claim, 5 Drawing Sheets

(56) **References Cited**

U.S. PATENT DOCUMENTS

- D242,126 S 11/1976 Morea
- D254,651 S 4/1980 Shortino
- D254,652 S 4/1980 Shortino
- D254,713 S 4/1980 Shortino
- D282,441 S 2/1986 Shiokawa
- D346,964 S 5/1994 Green
- D355,363 S 2/1995 Iorii et al.
- 5,417,991 A * 5/1995 Green B65D 1/0223
219/734
- D372,870 S 8/1996 Westerhout
- D373,536 S * 9/1996 Kokenge D9/529
- D378,665 S 4/1997 Fenton et al.



(56)

References Cited

U.S. PATENT DOCUMENTS

D401,507 S 11/1998 Gonda et al.
 D406,482 S 3/1999 Kerr
 D416,154 S 11/1999 Diehl
 D430,008 S 8/2000 Gobe
 D437,559 S 2/2001 Fenton et al.
 D440,881 S 4/2001 Flurer et al.
 D444,389 S 7/2001 Bakic
 D446,725 S 8/2001 Lloyd
 D447,953 S 9/2001 Brynstad et al.
 D450,593 S 11/2001 Jebb et al.
 D452,446 S 12/2001 Shear
 D455,349 S 4/2002 Lloyd
 D461,718 S 8/2002 Brozell
 D468,643 S 1/2003 Kuzma et al.
 D471,820 S 3/2003 Faillant-Dumas
 D473,141 S 4/2003 Cummings
 D486,737 S 2/2004 Oates et al.
 D487,400 S 3/2004 Oates
 D490,714 S 6/2004 Snyder
 D491,815 S 6/2004 Crawford
 D494,870 S 8/2004 Bakic
 D495,961 S 9/2004 Bakic
 D501,141 S 1/2005 Bakic
 D501,143 S 1/2005 Bakic
 D521,873 S 5/2006 Ross et al.
 D525,873 S 8/2006 Haubert et al.
 D526,902 S 8/2006 Cummings
 D527,640 S 9/2006 Ludewigs et al.
 D529,388 S 10/2006 Bakic
 D540,176 S 4/2007 Flurer et al.
 D540,682 S 4/2007 Shurtleff et al.
 D542,141 S * 5/2007 Okin D9/435
 D542,660 S 5/2007 Thomas et al.
 D545,682 S 7/2007 Mongeon
 D552,479 S 10/2007 Mongeon et al.
 D563,226 S 3/2008 Mongeon et al.
 D563,232 S 3/2008 Mongeon et al.
 D563,789 S 3/2008 Mongeon et al.
 D568,162 S 5/2008 Mongeon
 D568,745 S 5/2008 Bradley et al.
 D573,470 S 7/2008 Bradley et al.
 D573,890 S 7/2008 Mongeon
 D580,269 S 11/2008 Xiao et al.
 D580,767 S 11/2008 Okin et al.
 D585,289 S 1/2009 Toh et al.
 D585,290 S 1/2009 Toh et al.
 D587,117 S 2/2009 Crawford
 D587,127 S 2/2009 Moreira et al.
 D588,920 S 3/2009 O'Donahue
 D588,923 S 3/2009 Mongeon et al.
 D591,599 S 5/2009 Okin et al.
 D593,860 S 6/2009 Bradley et al.
 D601,425 S 10/2009 Miller et al.
 D601,427 S 10/2009 Miller et al.
 D602,356 S 10/2009 Shurtleff et al.
 D605,944 S 12/2009 Hundertmark
 D608,196 S 1/2010 Beilke
 D608,639 S 1/2010 Jäckel et al.
 D609,572 S 2/2010 Ribadeneira Mejia et al.
 D610,910 S 3/2010 Simmons et al.
 D611,830 S 3/2010 Casey et al.
 D615,412 S 5/2010 Thomas et al.
 D616,750 S 6/2010 Toh
 D622,151 S 8/2010 Toh
 D624,424 S 9/2010 Fiore
 D632,963 S 2/2011 Hale et al.
 D634,210 S 3/2011 Kaplan et al.
 D640,563 S 6/2011 Simmons et al.
 D644,106 S 8/2011 Almstead et al.
 D644,531 S 9/2011 Padain et al.
 D646,170 S 10/2011 Carduff et al.
 D650,282 S 12/2011 Padain et al.
 D653,556 S 2/2012 Arcos Bellvehi
 D662,422 S 6/2012 Avakian
 D665,261 S 8/2012 Mazurkiewicz et al.

D666,107 S 8/2012 Blachford et al.
 D674,282 S 1/2013 Baldrige et al.
 D683,226 S 5/2013 Baldrige et al.
 D683,229 S 5/2013 Crawford et al.
 D683,230 S 5/2013 Crawford et al.
 D683,237 S 5/2013 Crawford et al.
 D683,631 S 6/2013 Crawford
 D684,064 S 6/2013 Crawford et al.
 D684,473 S 6/2013 Crawford et al.
 D684,864 S 6/2013 Crawford et al.
 D688,130 S 8/2013 Crawford et al.
 D688,131 S * 8/2013 Crawford D9/449
 D689,367 S 9/2013 Crawford
 D690,204 S 9/2013 Crawford et al.
 D691,042 S * 10/2013 Crawford D9/449
 D691,045 S 10/2013 Toh et al.
 D694,631 S 12/2013 Crawford
 D715,655 S 10/2014 Brewer et al.
 D718,144 S 11/2014 Brewer et al.
 D721,972 S 2/2015 Brewer et al.
 D722,272 S 2/2015 Brewer et al.
 D725,476 S 3/2015 Kuzma et al.
 D736,094 S 8/2015 Jeong
 D739,746 S 9/2015 Liu
 D740,671 S 10/2015 de Vries et al.
 D740,672 S 10/2015 de Vries et al.
 D741,178 S 10/2015 Higareda et al.
 D741,179 S 10/2015 Higareda et al.
 D741,180 S 10/2015 Higareda et al.
 D742,235 S 11/2015 Albuquerque et al.
 D746,692 S 1/2016 Alvarez De Cienfuegos
 Hernandez et al.
 D750,964 S 3/2016 Alvarez De Cienfuegos
 Hernandez et al.
 D750,965 S 3/2016 Alvarez De Cienfuegos
 Hernandez et al.
 D753,493 S 4/2016 Alvarez De Cienfuegos
 Hernandez et al.
 D753,494 S * 4/2016 Toh D9/449
 D758,872 S 6/2016 Blake et al.
 2015/0144585 A1 * 5/2015 Crawford B65D 51/249
 215/43
 2015/0272197 A1 * 10/2015 Swain B65D 47/08
 426/115

FOREIGN PATENT DOCUMENTS

AU 144335 7/2001
 AU 157720 3/2005
 AU 333675 11/2010
 BR I6103517-3 5/2002
 BR I6403053-9 11/2004
 BR I6502815-5 9/2005
 BR I6503457-0 12/2005
 BR I6600099-8 4/2006
 BR I6603109-5 11/2006
 BR I6703669-4 8-8 4/2008
 BR I6804054-7 10/2009
 BR I6904654-9 8/2010
 CL 5053 6/2005
 CO 131 8/2004
 CO 132 8/2004
 EM 000194550-0003 9/2004
 EM 000296520-0001 4/2005
 EM 001576281-0001 7/2009
 EM 001683343-0004 1/2012
 EM 002353177-0020 2/2013
 MX 17098 3/2005
 MX 32238 2/2010
 MX 36270 6/2010
 NZ 401103 10/2000
 NZ 403264 8/2003
 PH 3-2000-000526 9/2002
 PH 3-2003-000073 2/2004
 PH 3-2002-000125 4/2004
 PH 3-2002-000128 4/2004
 PH 3-2004-000624 7/2005
 PT 31348-0001 6/2003

(56)

References Cited

FOREIGN PATENT DOCUMENTS

TH	48931	8/2002
TH	54931	4/2003
TH	69118	8/2005
TH	79001	3/2006
TH	74407	12/2006
TH	116320	9/2012

OTHER PUBLICATIONS

Thailand (TH) registered design document No. D88712, published in 2008, publication month unknown.*

Thailand (TH) registered design document No. D87104, published in 2007, publication month unknown.*

Thailand (TH) registered design document Nos. D66343, D70345 & 70346, all published in 2005, publication month unknown.*

* cited by examiner

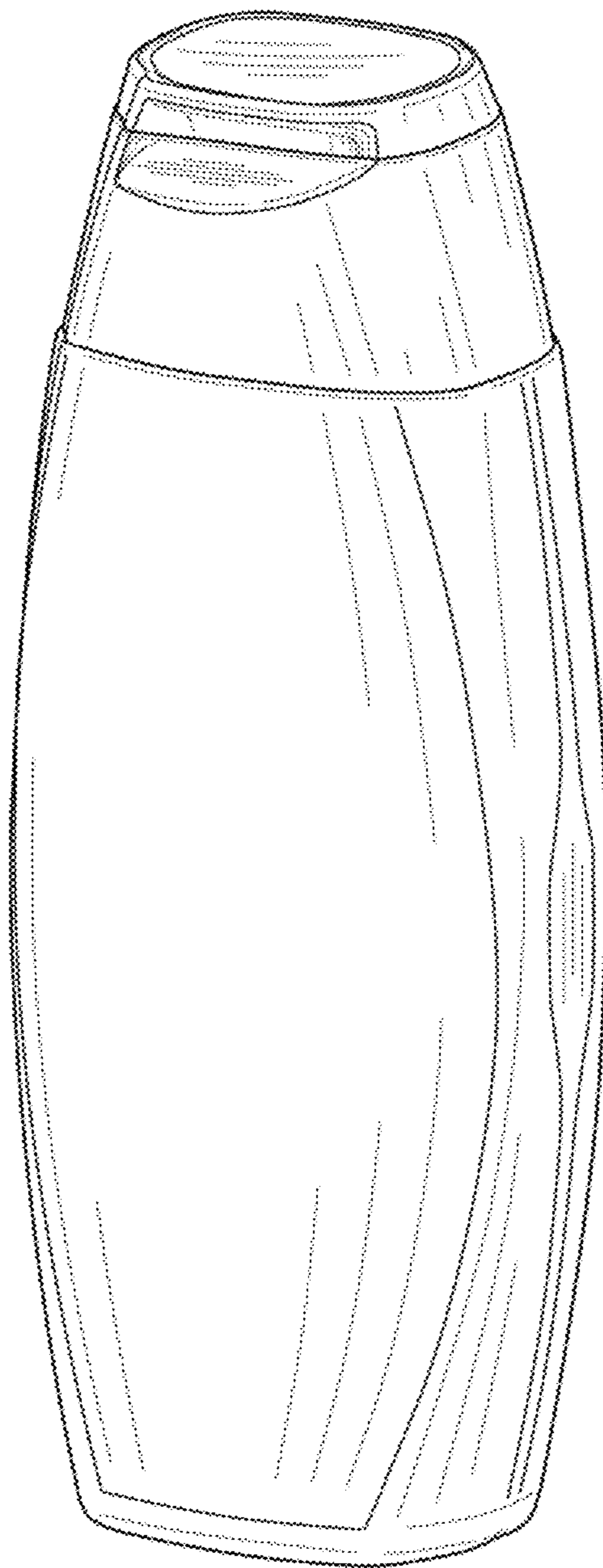


FIG. 1

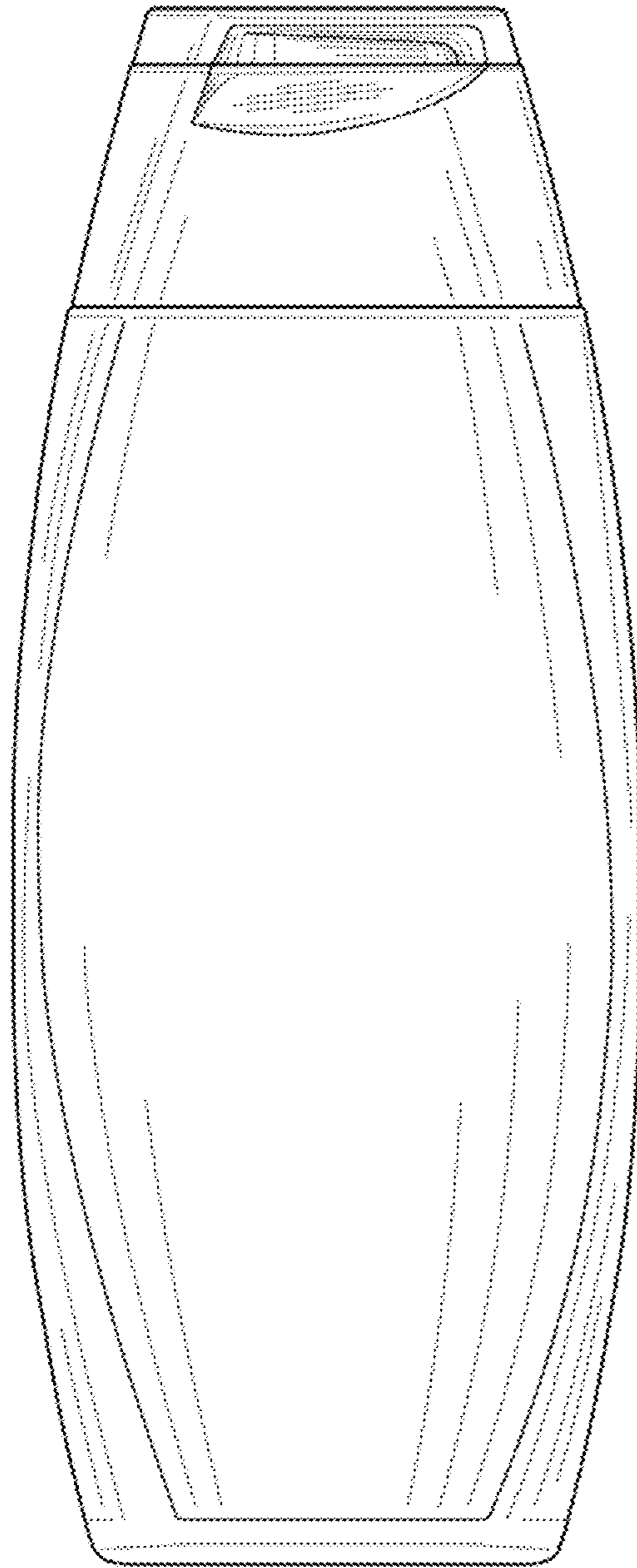


FIG. 2

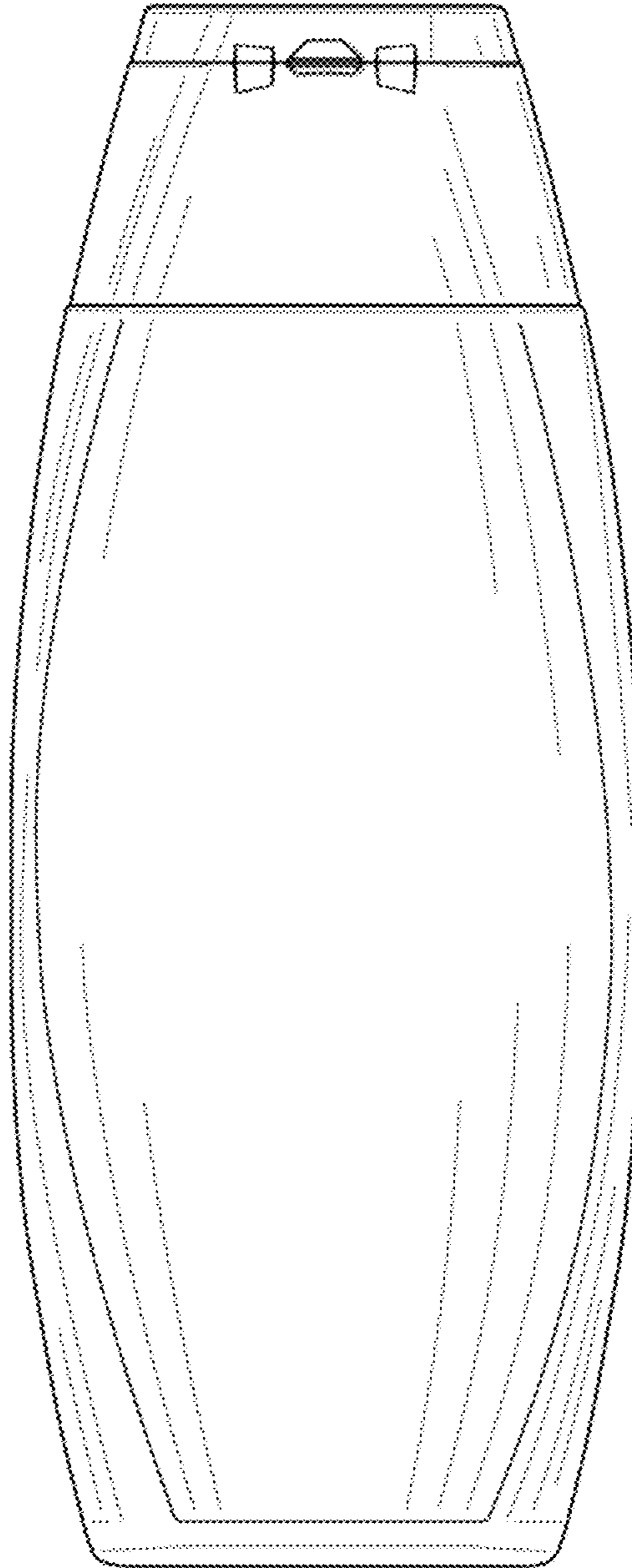


FIG. 3

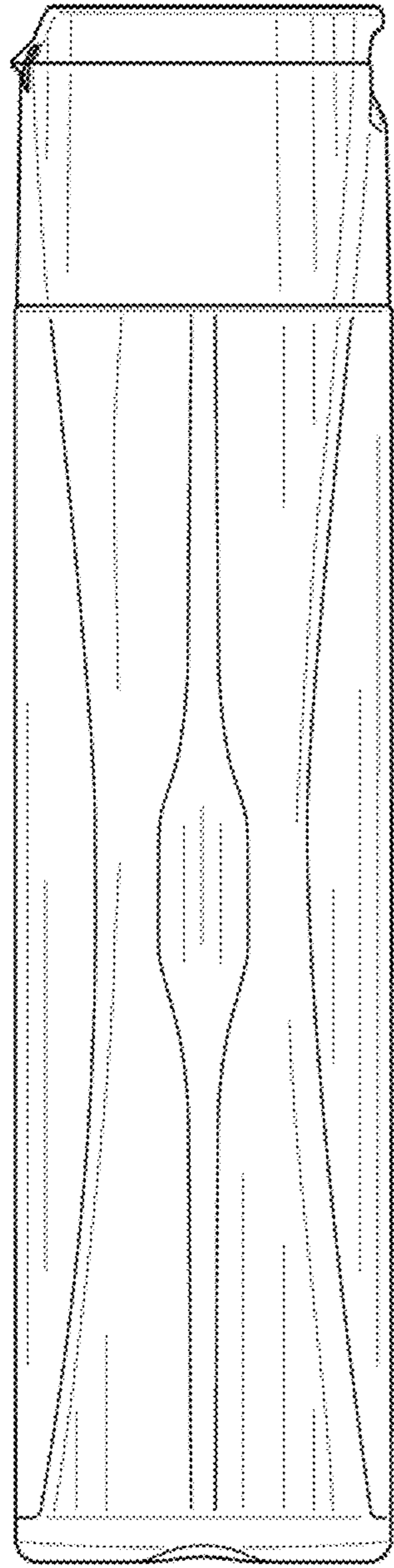


FIG. 4

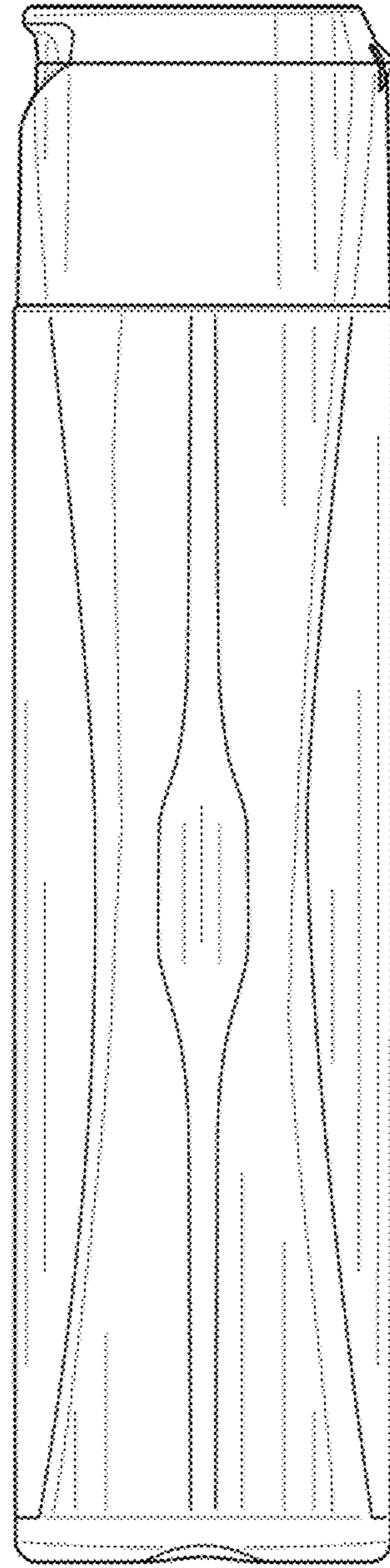


FIG. 5

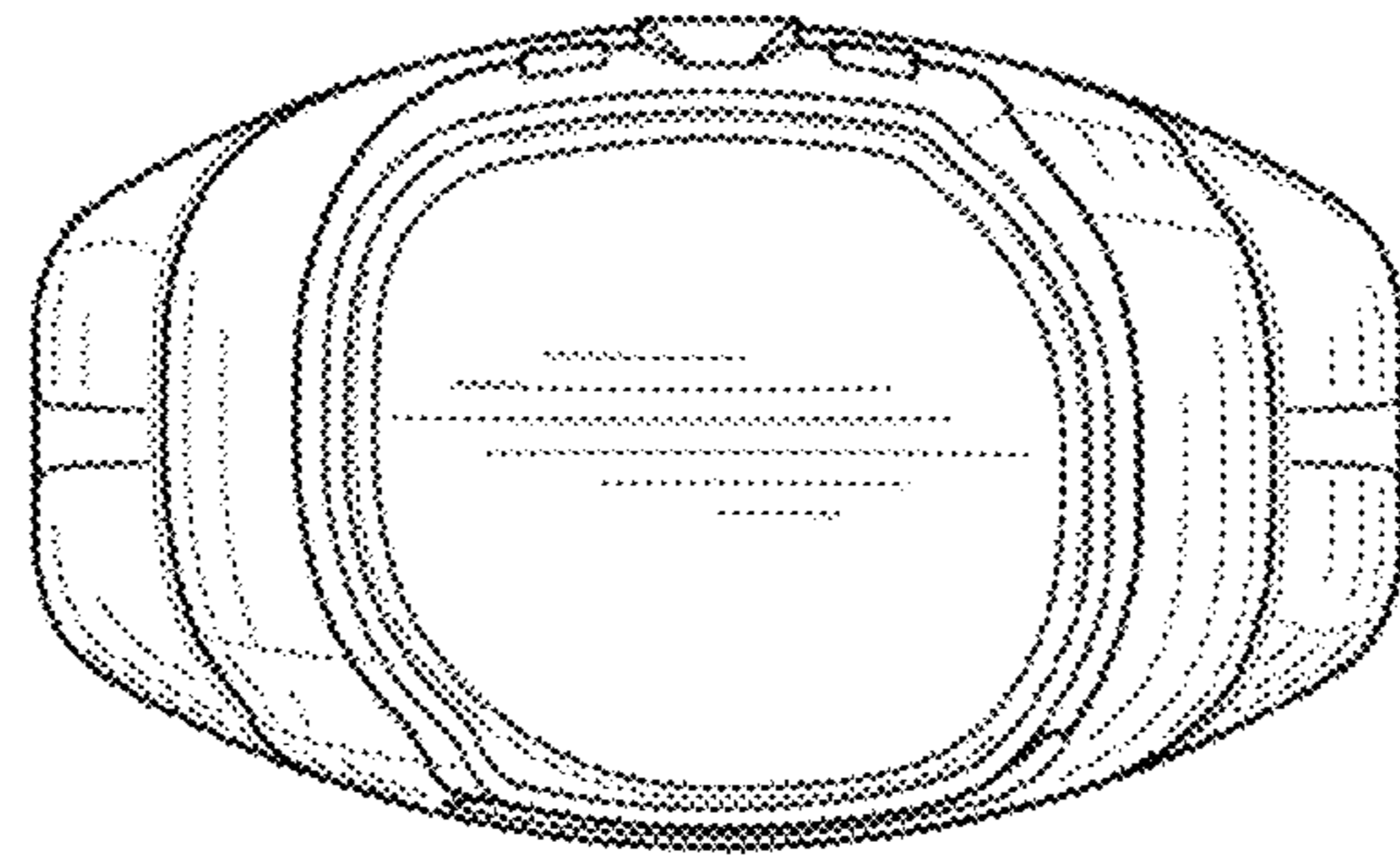


FIG. 6

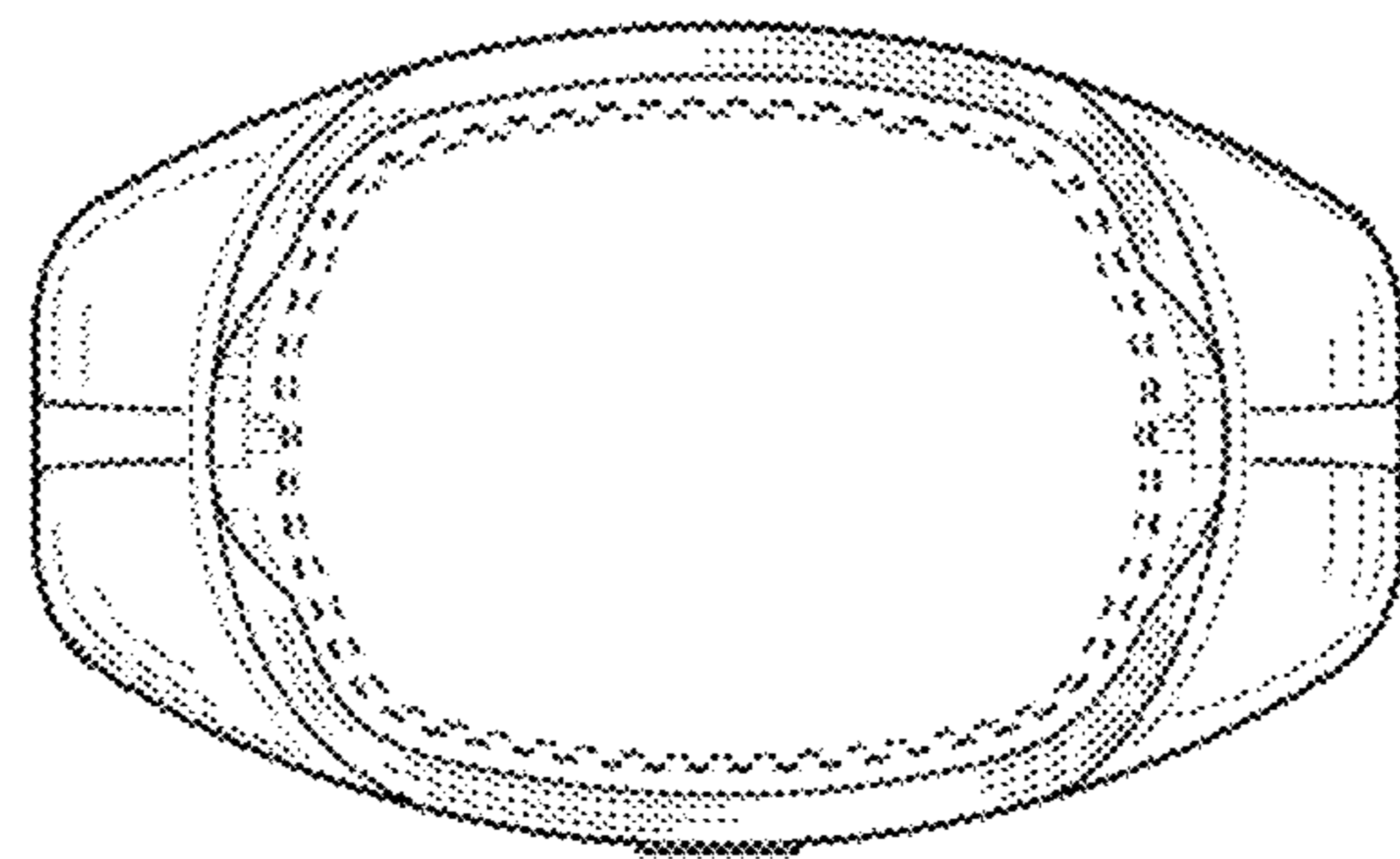


FIG. 7