



US00D773303S

(12) **United States Design Patent**  
**Lundberg**

(10) **Patent No.:** **US D773,303 S**

(45) **Date of Patent:** **\*\* Dec. 6, 2016**

(54) **FLASK**

(71) Applicant: **Joseph L. Lundberg**, Monteagle, TN (US)

(72) Inventor: **Joseph L. Lundberg**, Monteagle, TN (US)

(73) Assignee: **Time on Target Holdings, LLC**, Vinemont, AL (US)

(\*\*) Term: **14 Years**

(21) Appl. No.: **29/514,795**

(22) Filed: **Jan. 16, 2015**

(51) **LOC (10) Cl.** ..... **09-01**

(52) **U.S. Cl.**  
USPC ..... **D9/522**; D7/619.1; D9/573

(58) **Field of Classification Search**  
USPC .... D7/601, 602, 619.1, 619.2; D9/522, 524, D9/525, 571-574, 652; 211/41.2, 57.1, 59.2, 211/66, 74, 94.01, 181.1, 189; 248/220.41, 303, 248/312.1; D3/202  
CPC ..... A47B 55/00; A47B 55/02; A47B 73/00; A47B 73/002; A47B 73/004; A47B 73/006; A47B 73/008; A47B 69/00; A47G 23/0266; A47J 47/16; B65D 1/0223; B65D 23/102; B65D 23/106; B65D 23/0215

See application file for complete search history.

(56) **References Cited**

**U.S. PATENT DOCUMENTS**

D48,755 S \* 3/1916 Maske ..... D3/202  
3,843,032 A \* 10/1974 Moran ..... A45F 3/16  
215/382

D322,358 S \* 12/1991 Jacober ..... D3/202  
D521,230 S \* 5/2006 Linz ..... D9/522  
D537,725 S \* 3/2007 Varlet ..... D9/544  
D597,846 S \* 8/2009 Brady ..... D9/574  
D635,864 S \* 4/2011 Lee ..... D9/522  
D668,773 S \* 10/2012 Shanler ..... D24/224  
D756,792 S \* 5/2016 Genaw, Jr. .... D9/522  
2006/0205065 A1 \* 9/2006 Bossi ..... C12M 23/08  
435/304.3

\* cited by examiner

*Primary Examiner* — Keli L Hill

(74) *Attorney, Agent, or Firm* — McHale & Slavin P.A.

(57) **CLAIM**

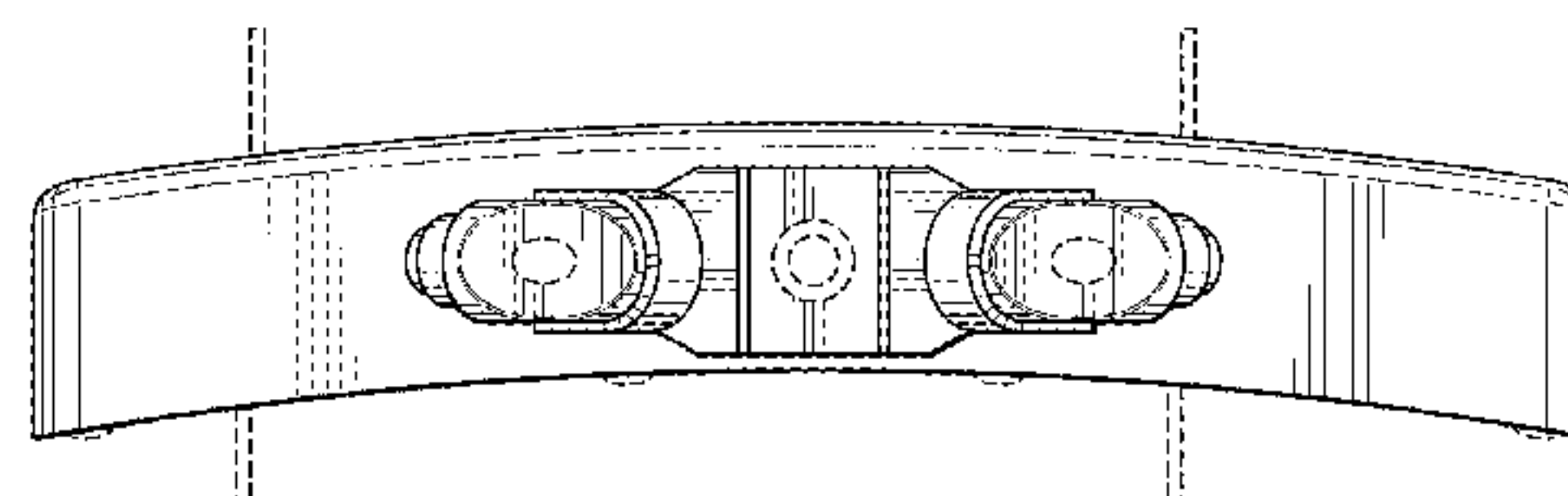
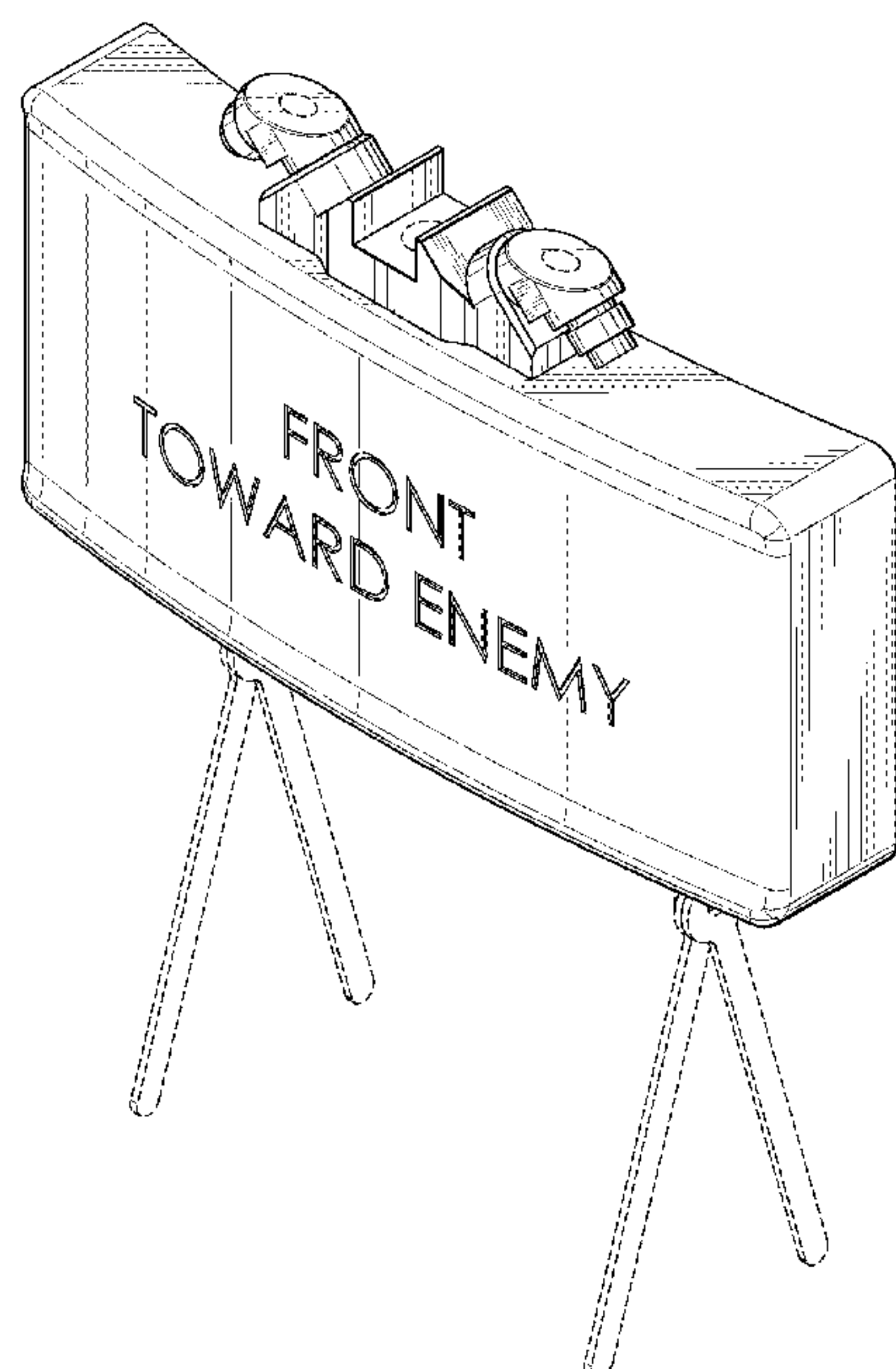
The ornamental design for a flask, as shown and described.

**DESCRIPTION**

FIG. 1 is a front isometric view of the flask;  
FIG. 2 is a front elevational view thereof;  
FIG. 3 is a right side elevational view thereof;  
FIG. 4 is a left side elevational view thereof;  
FIG. 5 is a rear elevational view thereof;  
FIG. 6 is a top plan view thereof; and,  
FIG. 7 is a bottom plan view thereof.

The portions of the flask depicted in broken dash lines represent the bounds of the claim and form no part of the claimed design.

**1 Claim, 5 Drawing Sheets**



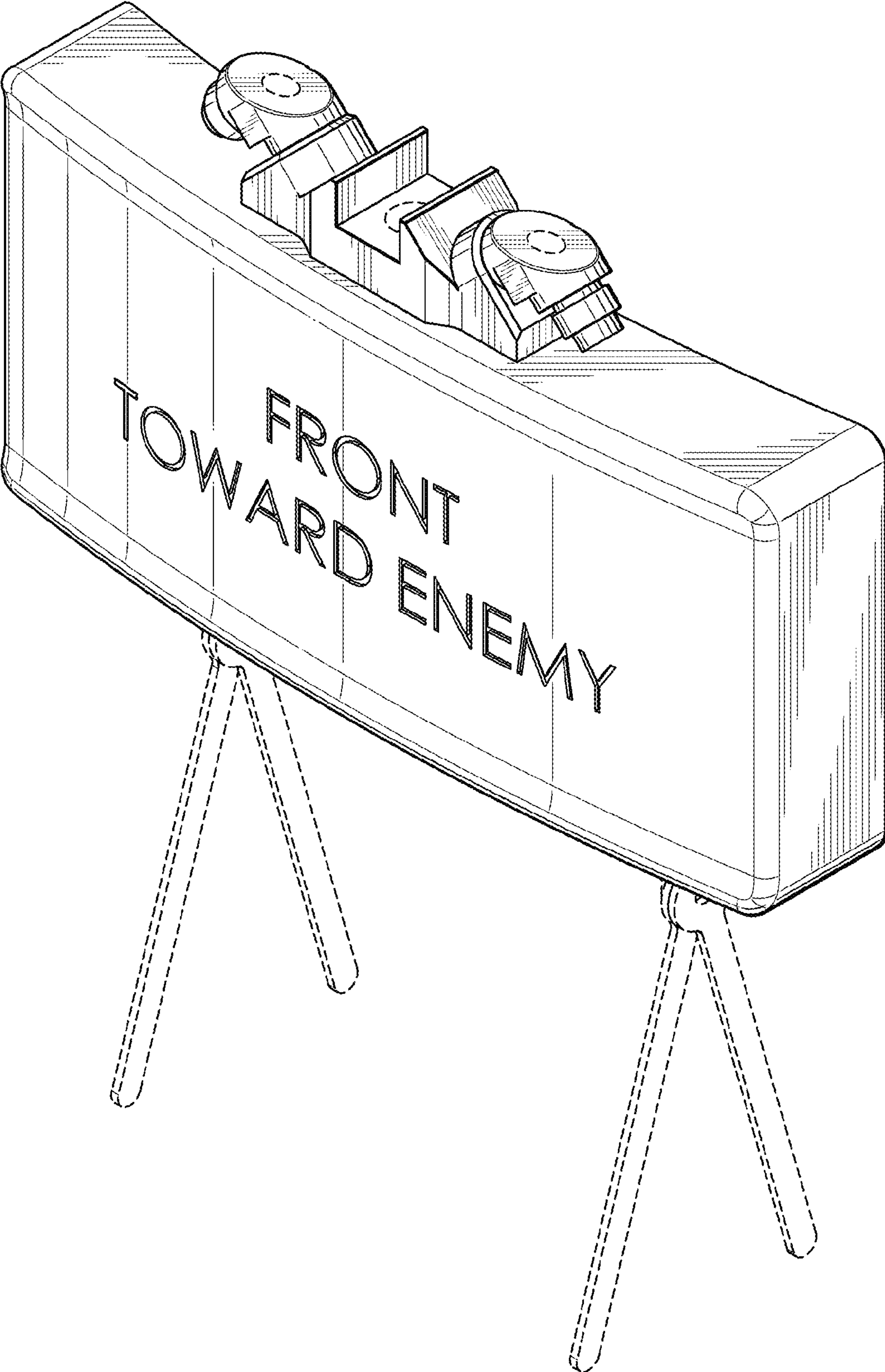


FIG. 1

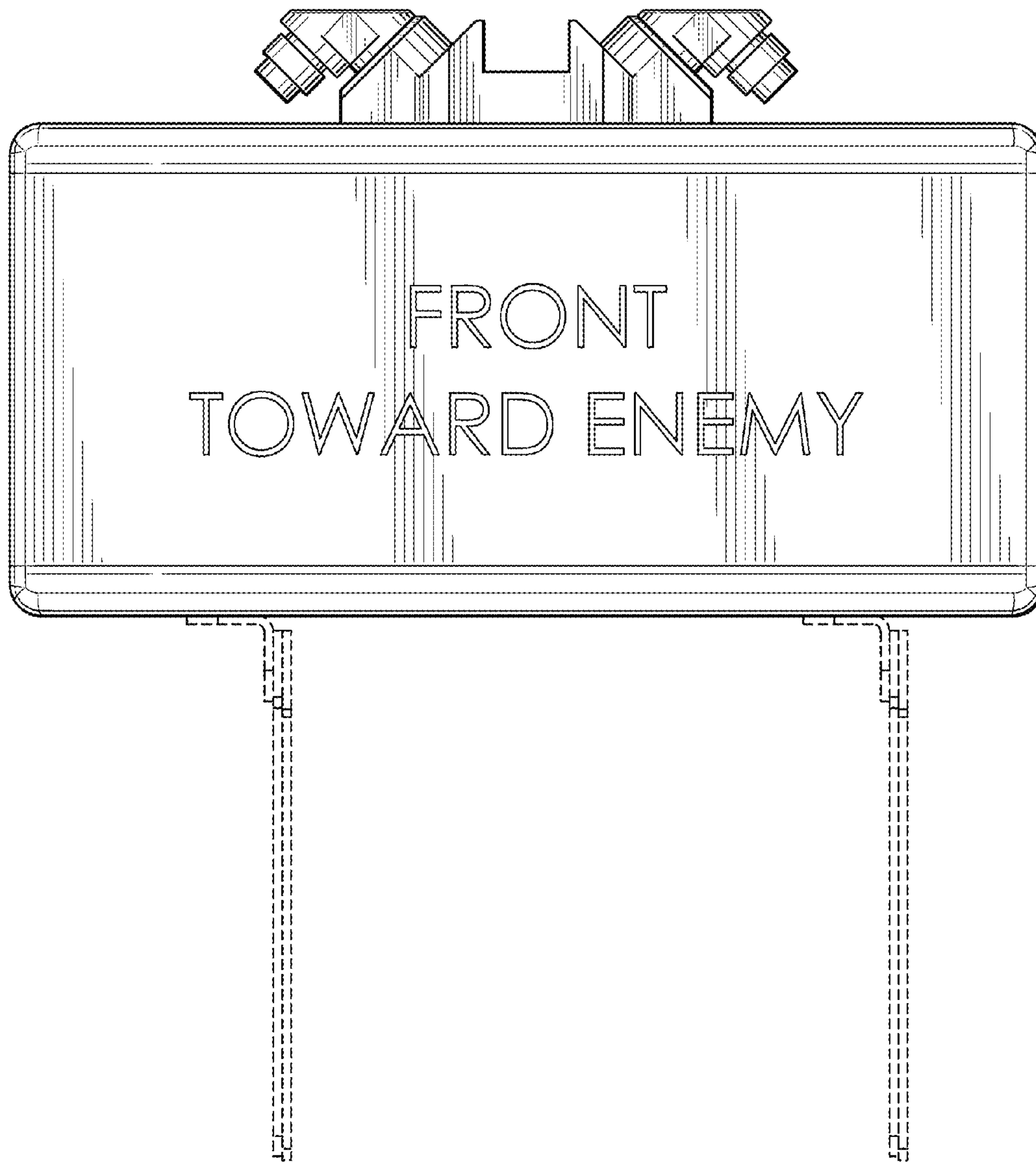


FIG. 2

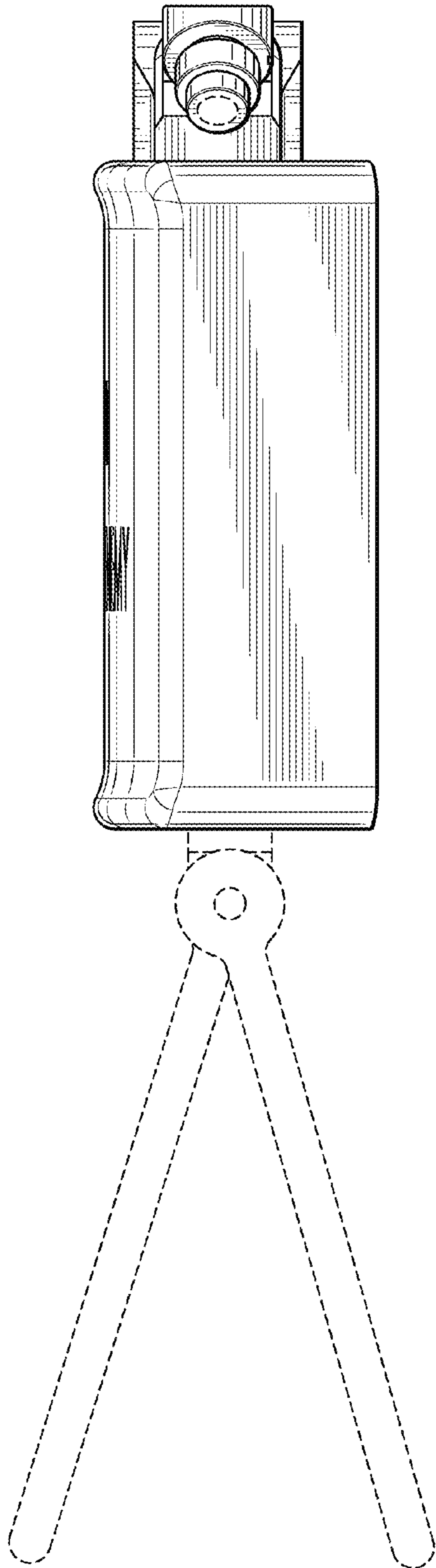


FIG. 3

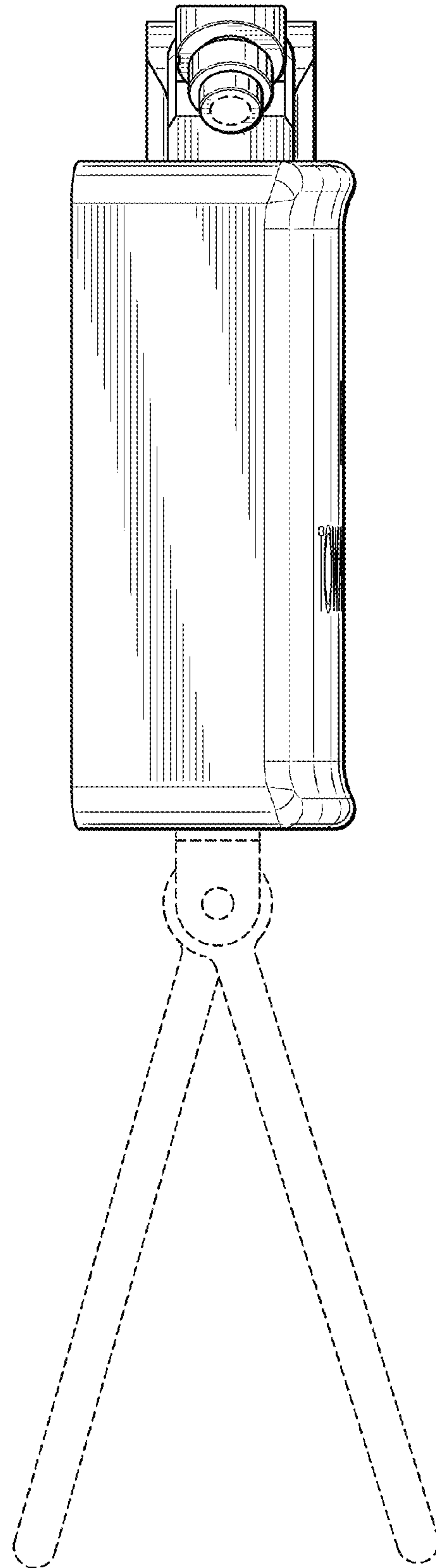


FIG. 4



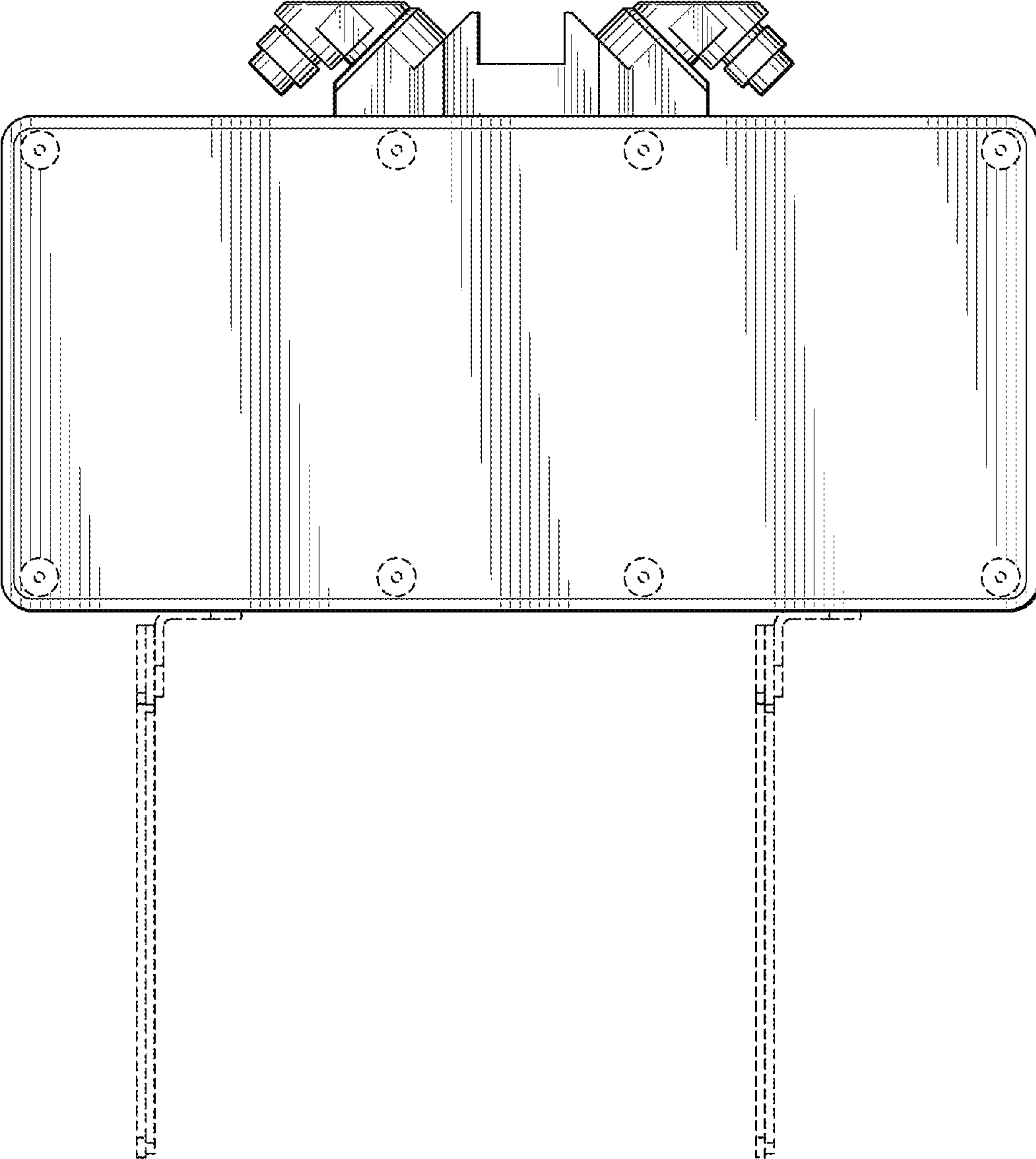


FIG. 5

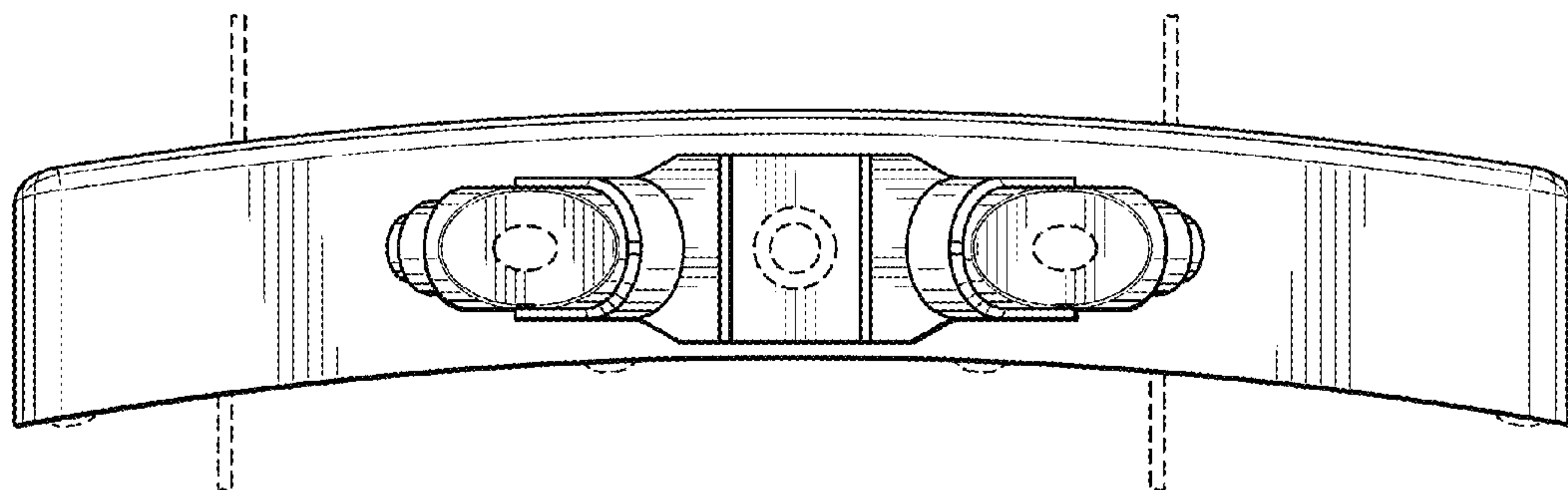


FIG. 6

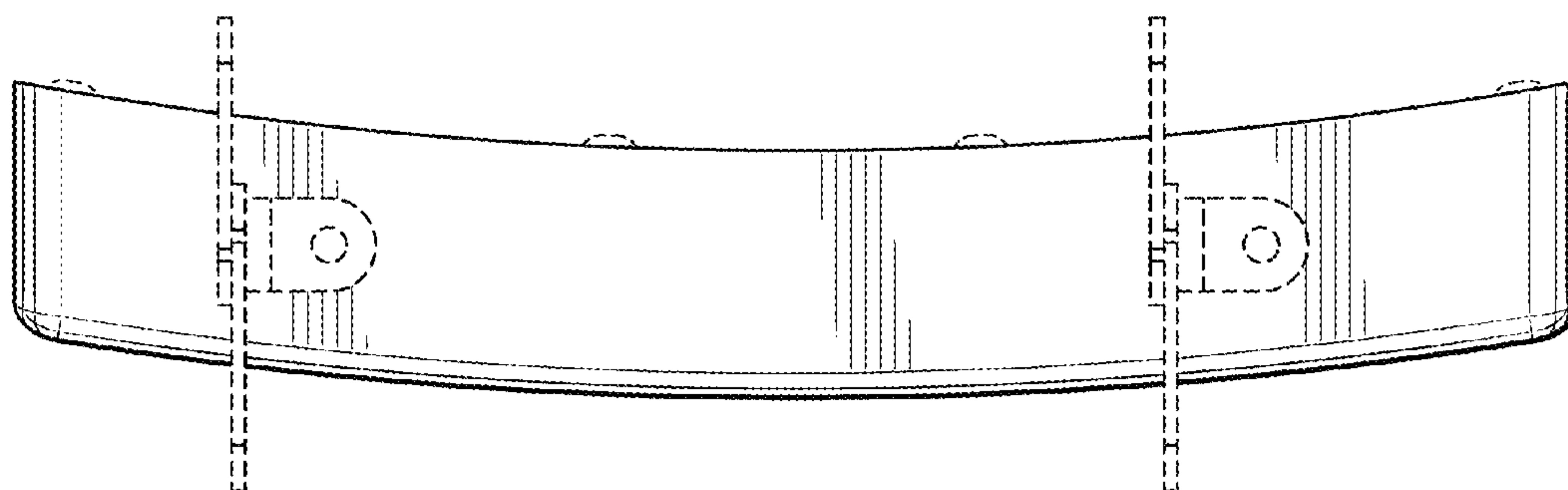


FIG. 7