



US00D773297S

(12) **United States Design Patent**  
**Liu**

(10) **Patent No.:** **US D773,297 S**  
(45) **Date of Patent:** **\*\* Dec. 6, 2016**

(54) **DISPENSER**

(71) Applicants: **CANAMERICA, LLC**, Brookline, MA (US); **Chun Chin Liu**, Brookline, MA (US)

(72) Inventor: **Chun Chin Liu**, Brookline, MA (US)

(\*\*) Term: **14 Years**

(21) Appl. No.: **29/495,711**

(22) Filed: **Jul. 3, 2014**

(30) **Foreign Application Priority Data**

Mar. 21, 2014 (TW) ..... 103301600

(51) **LOC (10) Cl.** ..... **09-01**

(52) **U.S. Cl.**  
USPC ..... **D9/448; D6/542**

(58) **Field of Classification Search**

USPC ..... D6/448, 513, 515, 524, 542, 543, 544, D6/545; D7/304, 308, 312, 397, 398, 401.1, D7/501, 505, 590-600.4, 701, 707, 708; D9/417, 434, 435, 436, 439, 440, 443, 446, D9/447, 448, 449, 450, 453, 454, 457, D9/500-503, 515, 538, 542, 548, 549, 559, D9/685, 686, 739, 759, 906; D23/259, 289, D23/387; D24/113, 121, 127, 224; D26/80; 211/74, 77, 78, 163; 215/235, 236, 307, 215/311; 220/26, 254.2-254.5, 259.3, 715, 837; 222/7, 212, 321.9, 321.1, 321.7, 383.1, 222/383.2, 383.32, 484  
CPC .... B05B 11/3028; B05B 11/3029; B05B 1/22; B67D 7/005; B67D 7/60; B42F 17/28; A47F 7/283

See application file for complete search history.

(56) **References Cited**

**U.S. PATENT DOCUMENTS**

1,878,302 A \* 9/1932 Tourtois ..... A47F 7/283  
211/77  
1,878,634 A \* 9/1932 Johansson ..... B24F 17/28  
211/163

D129,530 S \* 9/1941 Manaster ..... 211/74  
D312,949 S \* 12/1990 Persch ..... D7/598  
D329,153 S \* 9/1992 Kijanka ..... 211/40  
D336,043 S \* 6/1993 Provencio ..... D7/300.2  
D352,770 S \* 11/1994 Lopez ..... D23/259  
D370,813 S \* 6/1996 Daansen ..... D6/542  
D398,482 S \* 9/1998 Wang ..... D7/590  
D423,354 S \* 4/2000 Lin ..... D32/31  
D454,280 S \* 3/2002 Baussan ..... D7/598  
D521,321 S \* 5/2006 McGuyer ..... D7/590  
D531,440 S \* 11/2006 Lo ..... D6/542  
D547,183 S \* 7/2007 Cornet ..... D9/448  
D591,152 S \* 4/2009 Hatalla ..... D9/447  
D624,360 S \* 9/2010 Leavelle ..... D7/501  
D625,952 S \* 10/2010 Nevarez ..... D7/397  
D636,261 S \* 4/2011 Michitsuji ..... D9/448  
D636,262 S \* 4/2011 Michitsuji ..... D9/448  
D656,819 S \* 4/2012 Porter ..... D9/436  
D705,059 S \* 5/2014 Hutchison ..... D9/447  
D706,135 S \* 6/2014 Hutchison ..... D9/447  
D706,631 S \* 6/2014 Wilson ..... D9/436  
D746,136 S \* 12/2015 Liu ..... D6/542

(Continued)

*Primary Examiner* — Thomas Johannes  
*Assistant Examiner* — Catherine Posthauer

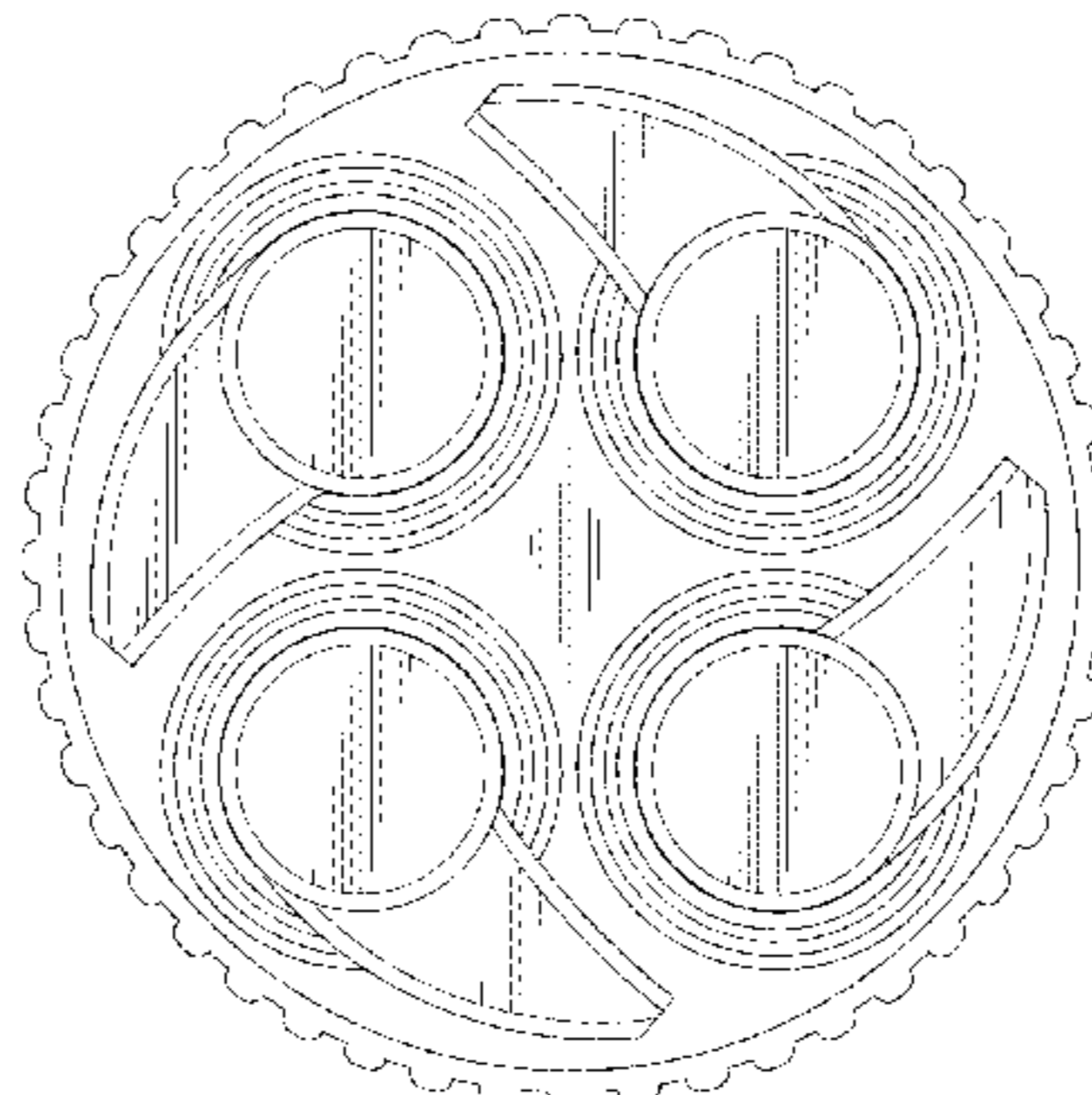
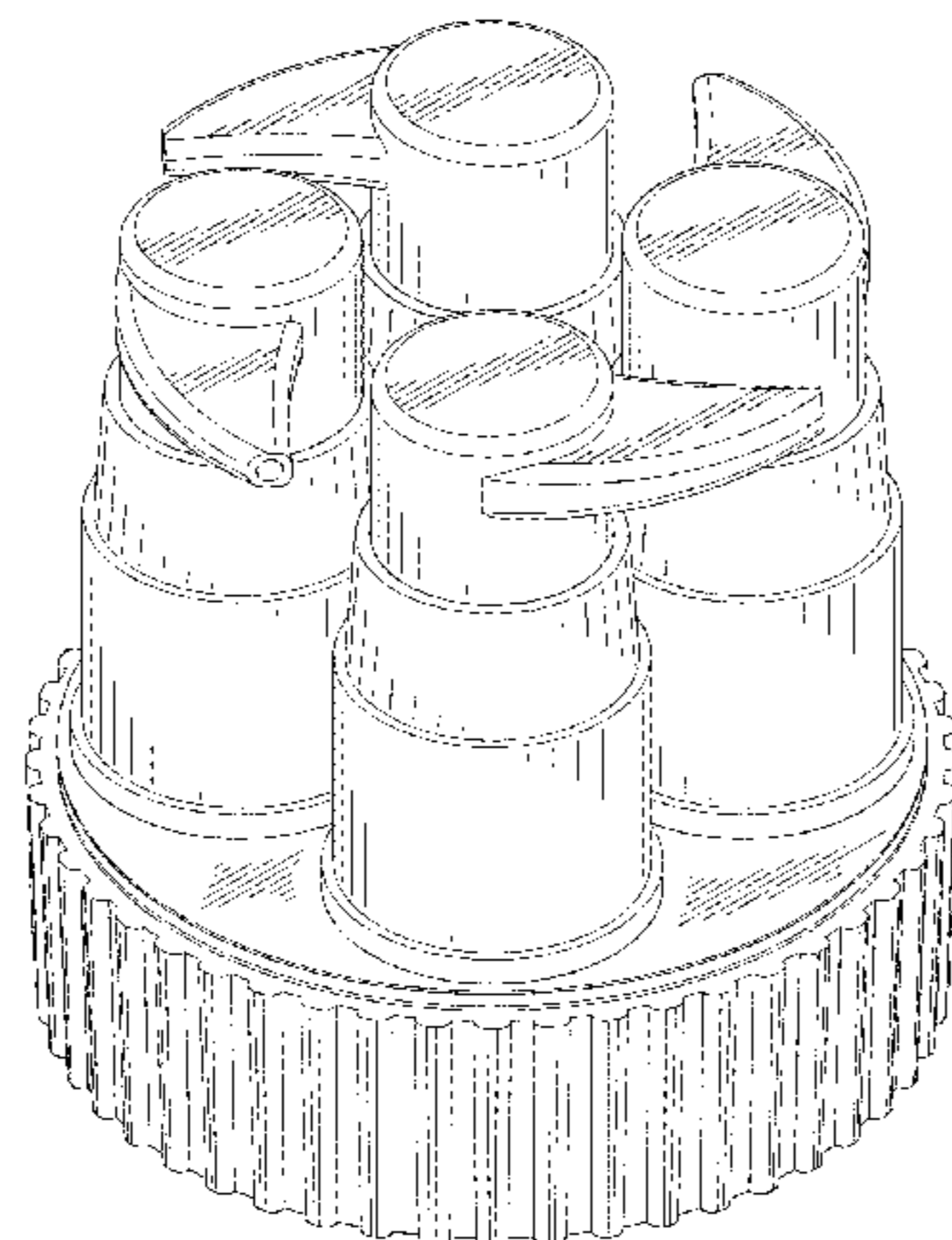
(57) **CLAIM**

The ornamental design for a dispenser, as shown and described.

**DESCRIPTION**

FIG. 1 is a perspective view of a dispenser showing our new design;  
FIG. 2 is a front view thereof;  
FIG. 3 is a rear view thereof;  
FIG. 4 is a left side view thereof;  
FIG. 5 is a right side view thereof;  
FIG. 6 is a top view thereof;  
FIG. 7 is a bottom view thereof;  
FIG. 8 is a bottom perspective view thereof; and,  
FIG. 9 is a top perspective view thereof, shown in a usage environment forming no part of the claim.

(Continued)



The dot-dot-dash broken lines are shown for the purpose of illustrating environmental structure that forms no part of the claimed design.

**1 Claim, 9 Drawing Sheets**

(56)

**References Cited**

U.S. PATENT DOCUMENTS

D750,961 S \* 3/2016 Liu ..... D6/542  
D750,962 S \* 3/2016 Liu ..... D6/542

\* cited by examiner

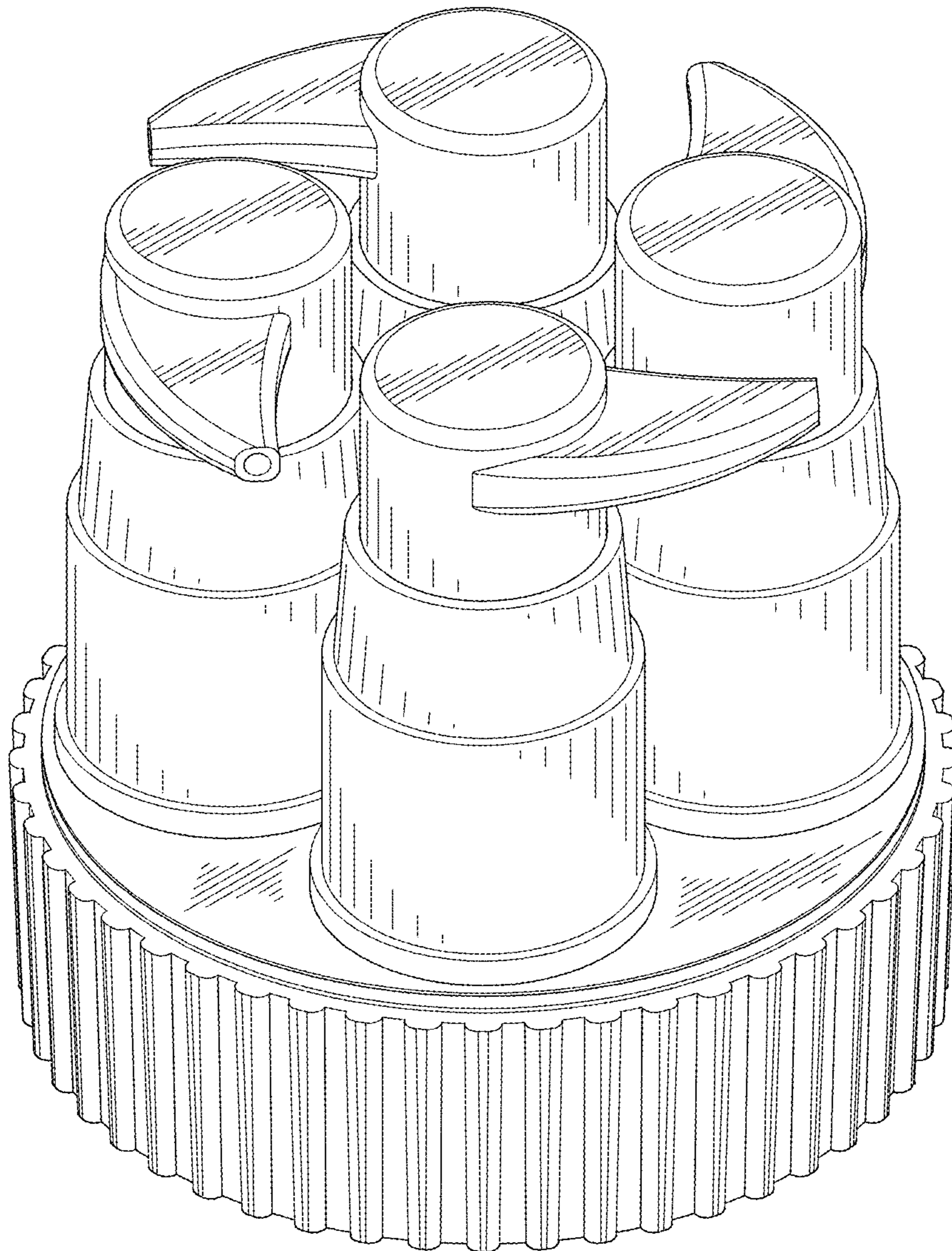


FIG.1

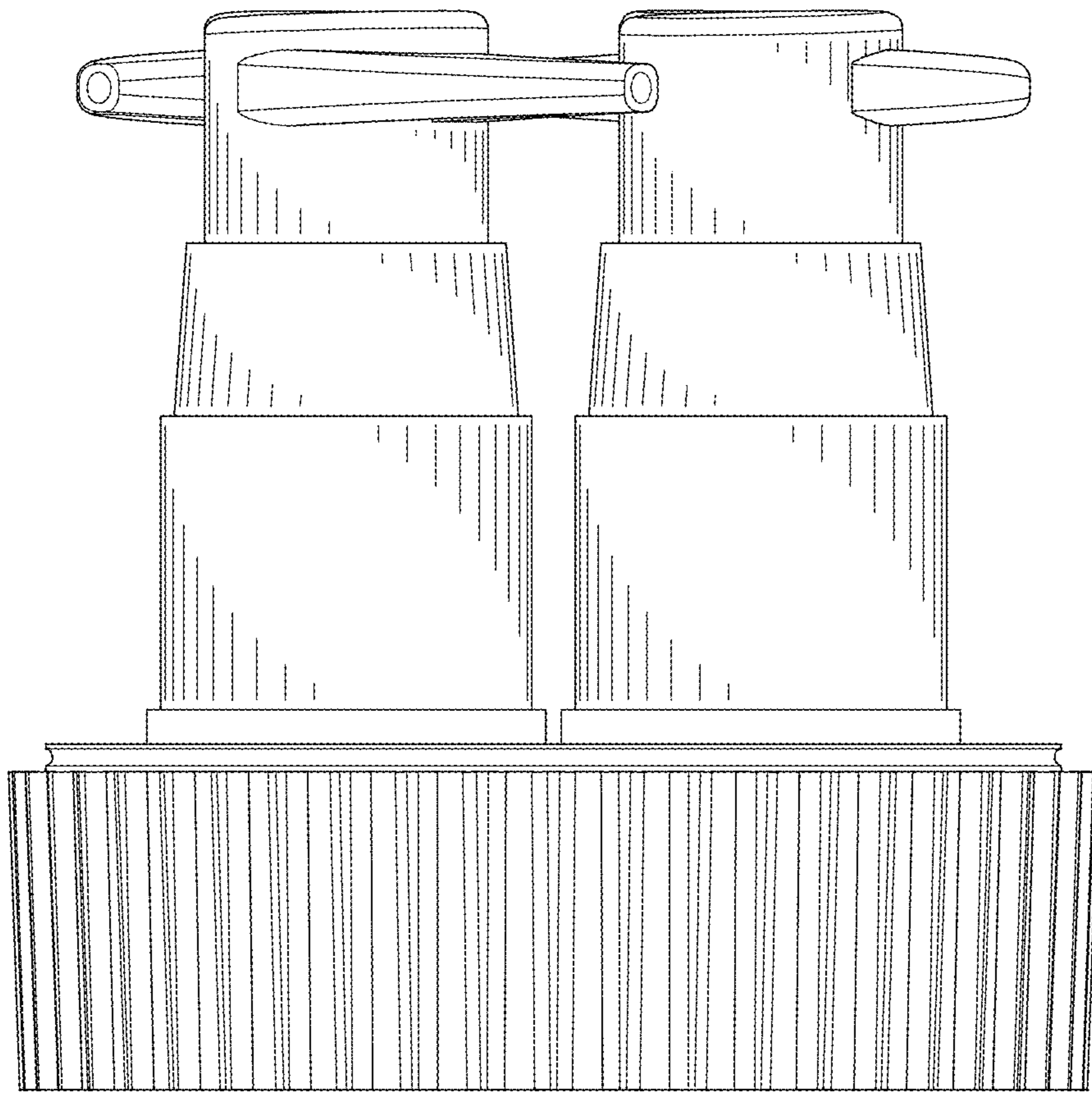


FIG.2

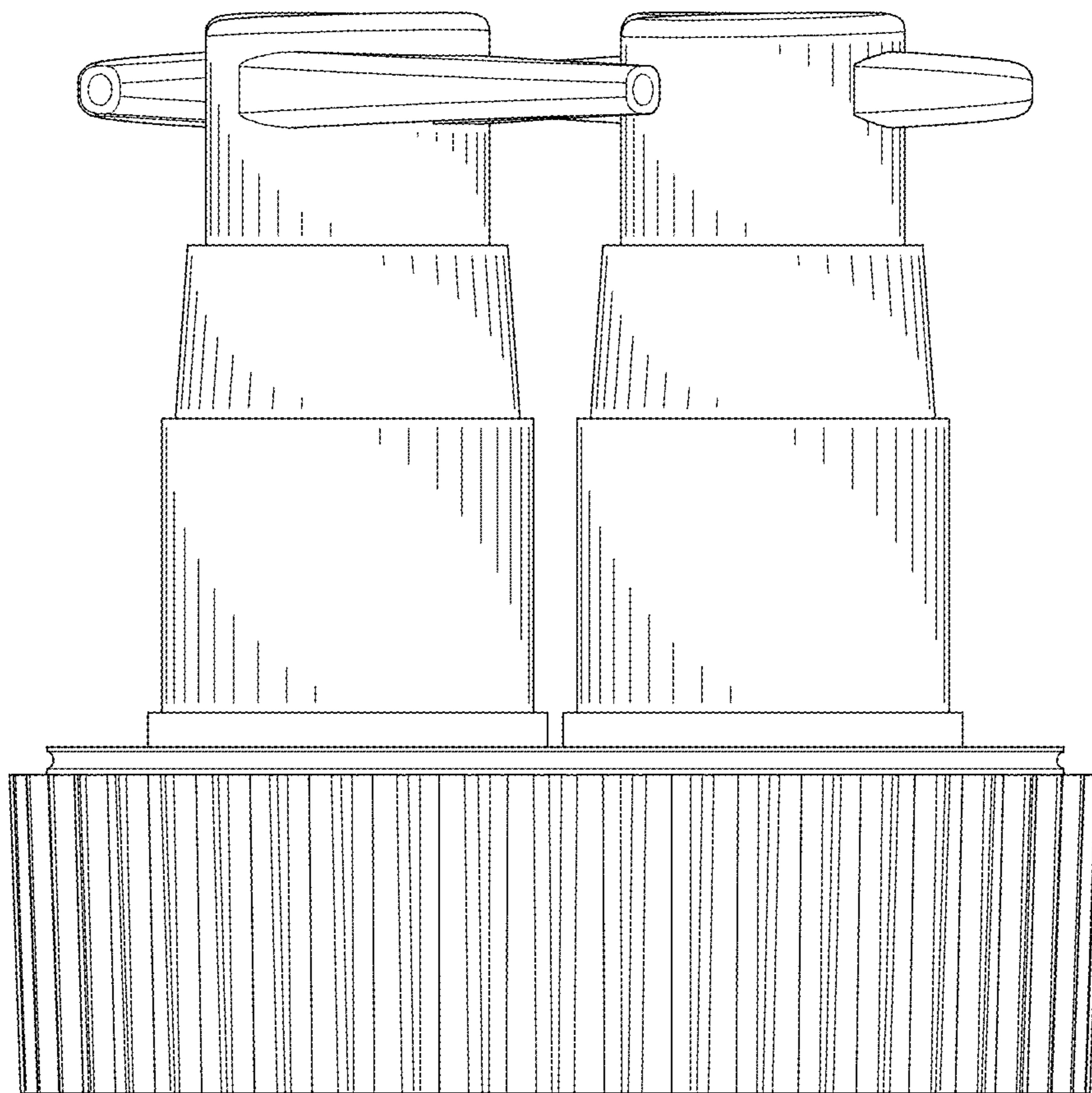


FIG.3

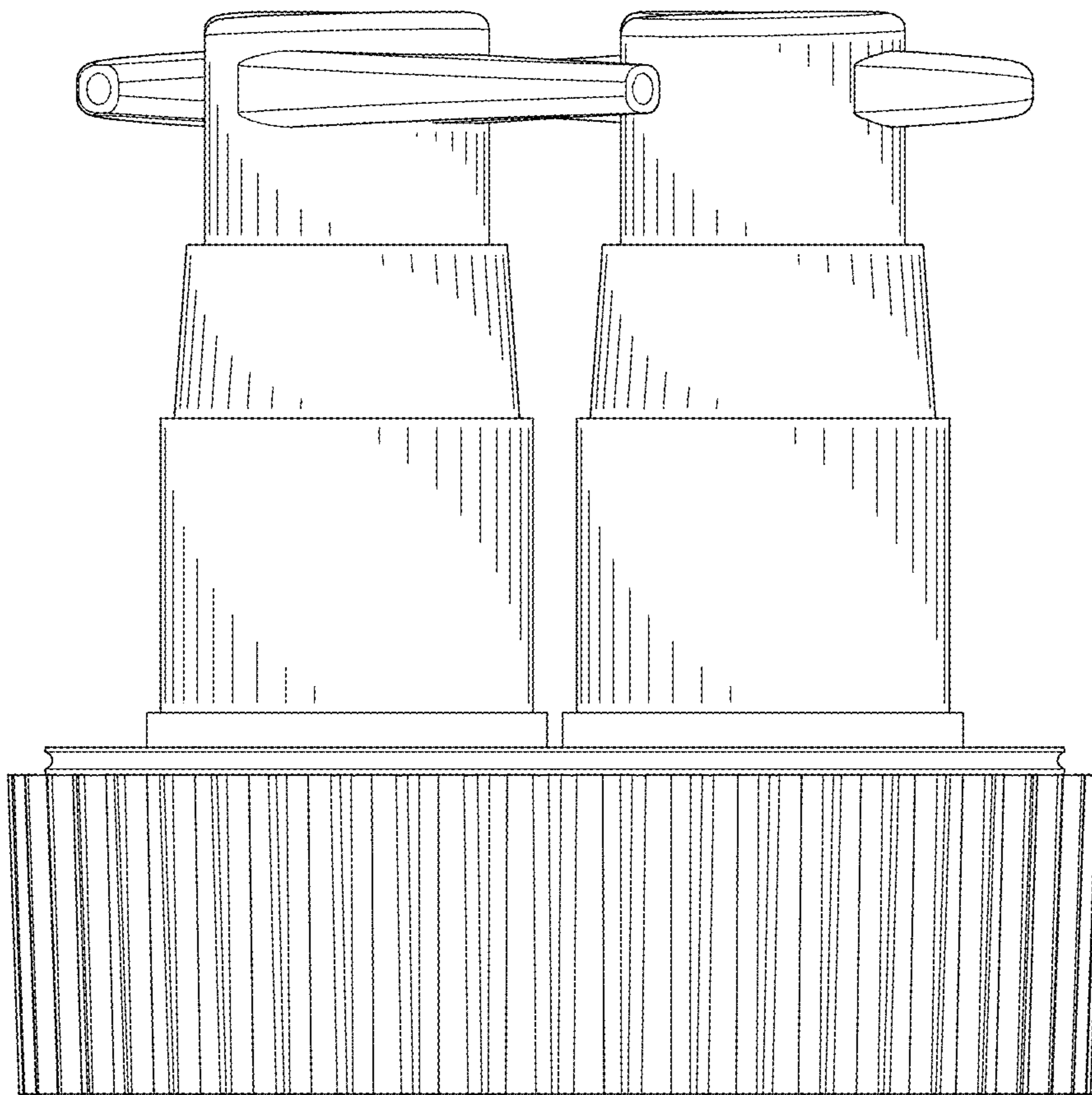


FIG.4

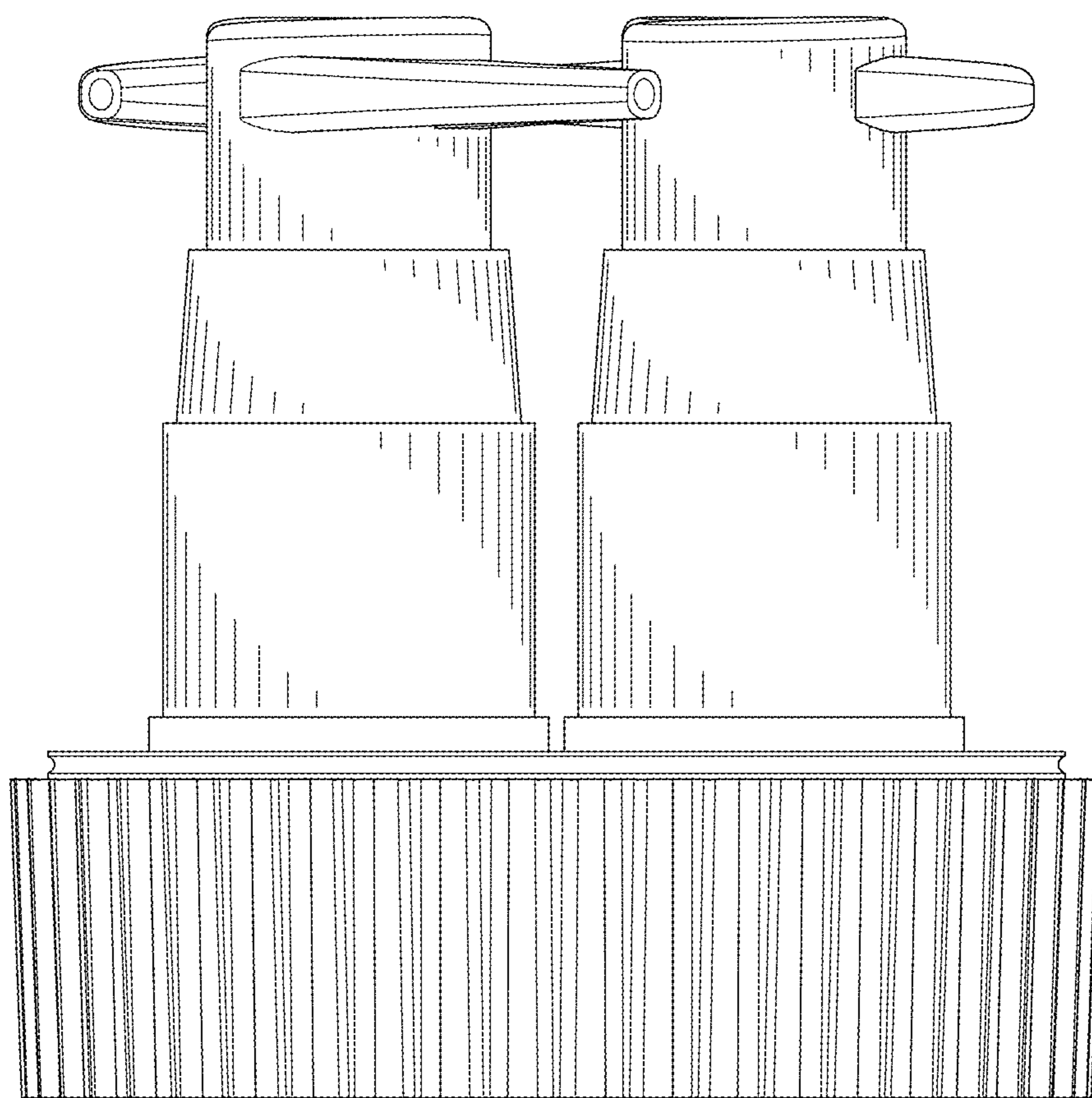


FIG.5

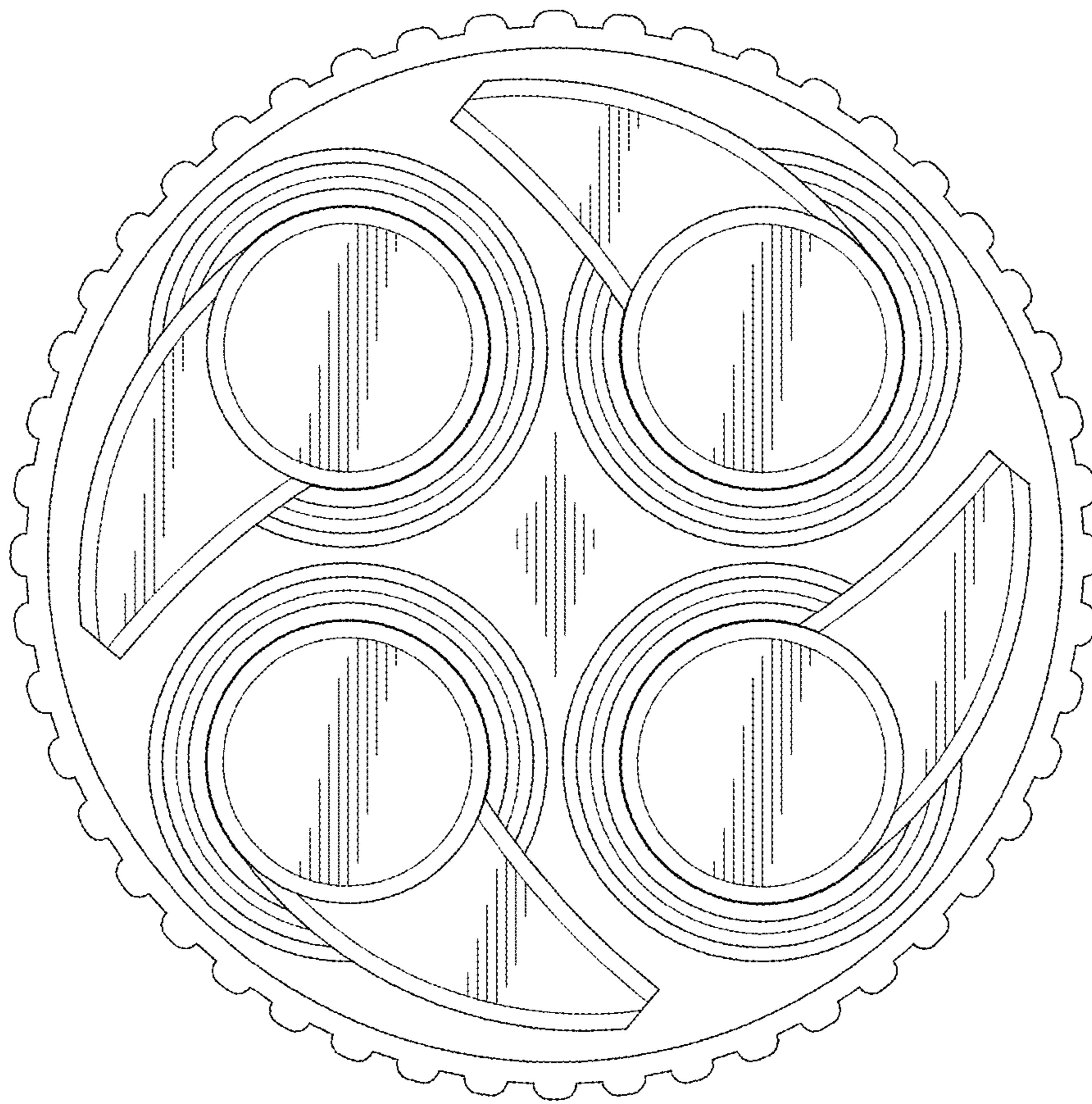


FIG.6



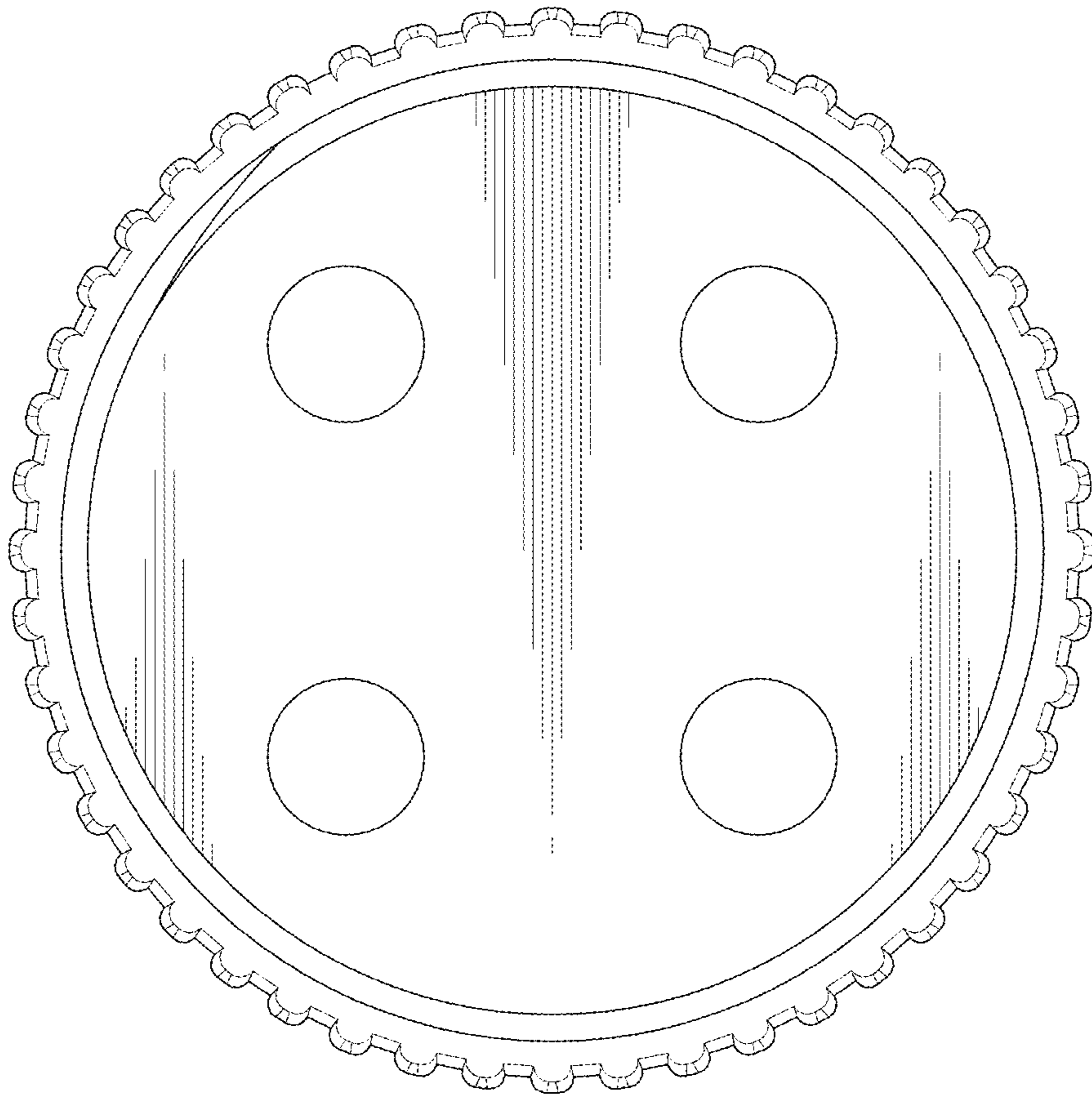


FIG. 7

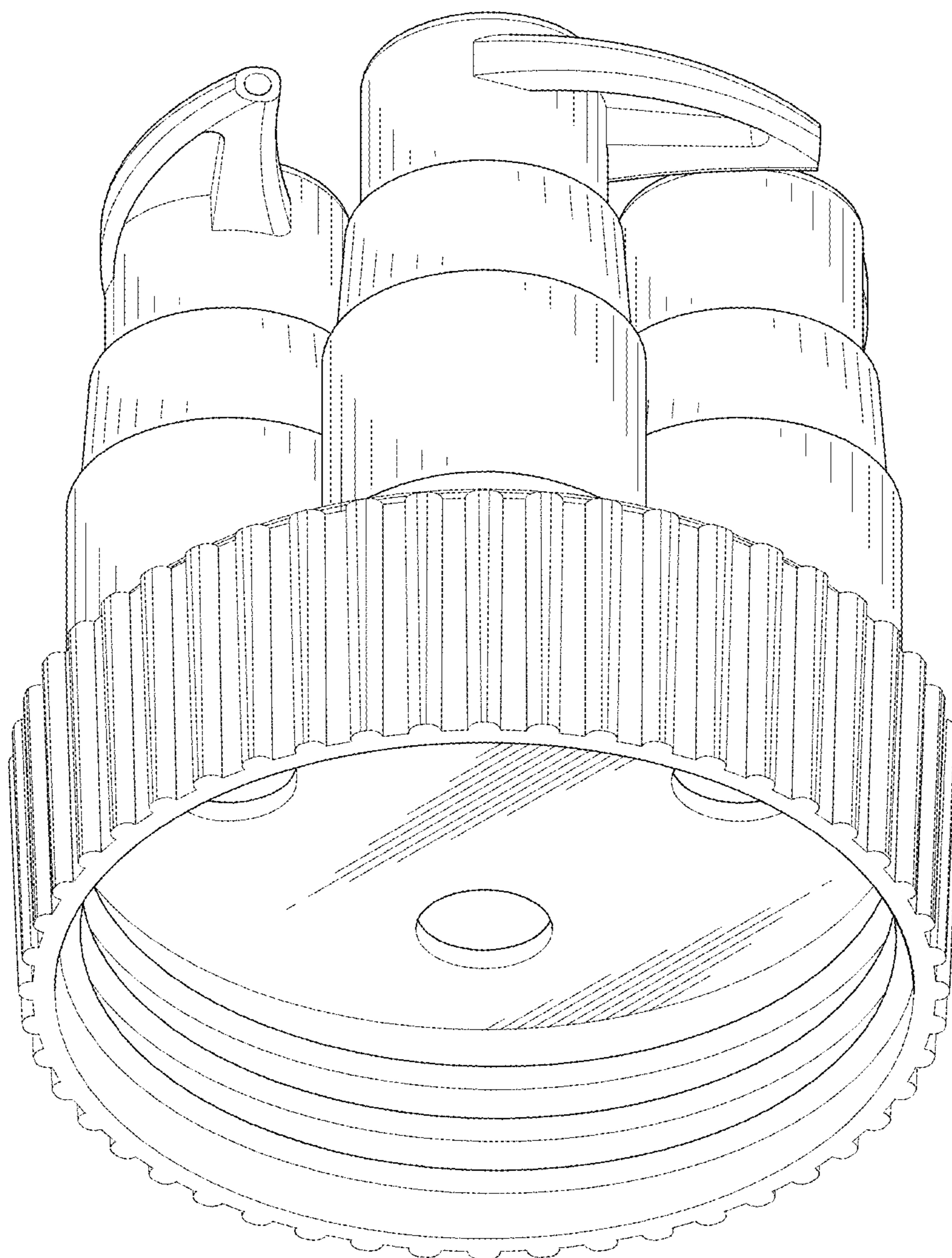


FIG.8

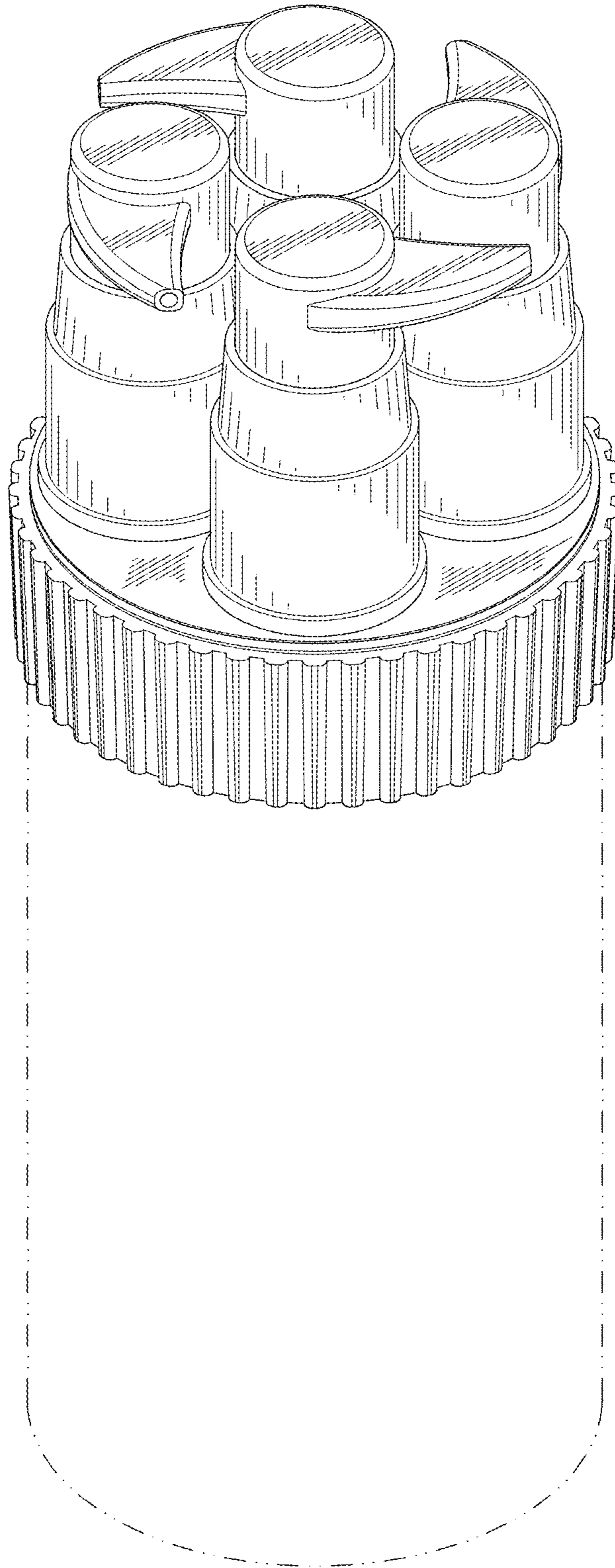


FIG.9