



US00D773296S

(12) **United States Design Patent**  
**Lynd et al.**

(10) **Patent No.:** **US D773,296 S**  
(45) **Date of Patent:** **\*\* Dec. 6, 2016**

(54) **CONTAINER COVER**

(71) Applicant: **Partners In Packaging, LLC,**  
Granville, OH (US)

(72) Inventors: **L. Grant Lynd,** Granville, OH (US);  
**Robert Heath,** Granville, OH (US)

(73) Assignee: **Partners In Packaging, LLC,**  
Lancaster, OH (US)

(\*\*) Term: **14 Years**

(21) Appl. No.: **29/491,275**

(22) Filed: **May 20, 2014**

(51) **LOC (10) Cl.** ..... **09-07**

(52) **U.S. Cl.**  
USPC ..... **D9/439**

(58) **Field of Classification Search**  
USPC ..... D9/434, 435, 438, 439, 440, 441,  
451, D9/454, 499, 544  
CPC ..... B65D 41/026; B65D 59/06  
See application file for complete search history.

(56) **References Cited**

**U.S. PATENT DOCUMENTS**

D23,144 S	12/1893	Johnson
D42,042 S	12/1911	Edlund
D86,816 S	8/1931	Von Till
D172,869 S	8/1954	Du Pree
3,315,830 A	4/1967	Flynn
D209,789 S	1/1968	Huston
D227,749 S	7/1973	Plummer
D257,930 S	1/1981	Conti
D292,674 S	11/1987	Morris et al.
D294,680 S	3/1988	Pappert
D309,568 S	7/1990	Beton

D309,690 S	8/1990	Carlson
D312,778 S	12/1990	Taconelli
5,048,705 A	9/1991	Lynd et al.

(Continued)

**FOREIGN PATENT DOCUMENTS**

CA	114304	10/2007
JP	D1463249	2/2013
KR	300609073.0001	8/2011

**OTHER PUBLICATIONS**

Glass Storage Jar, Wood Lid Large, procook.com, 9 pages. Found online Apr. 7, 2016 at <https://www.procook.co.uk/product/procook-glass-storage-jar-wood-lid-large>.\*

(Continued)

*Primary Examiner* — Robert M Spear

(74) *Attorney, Agent, or Firm* — Standley Law Group LLP

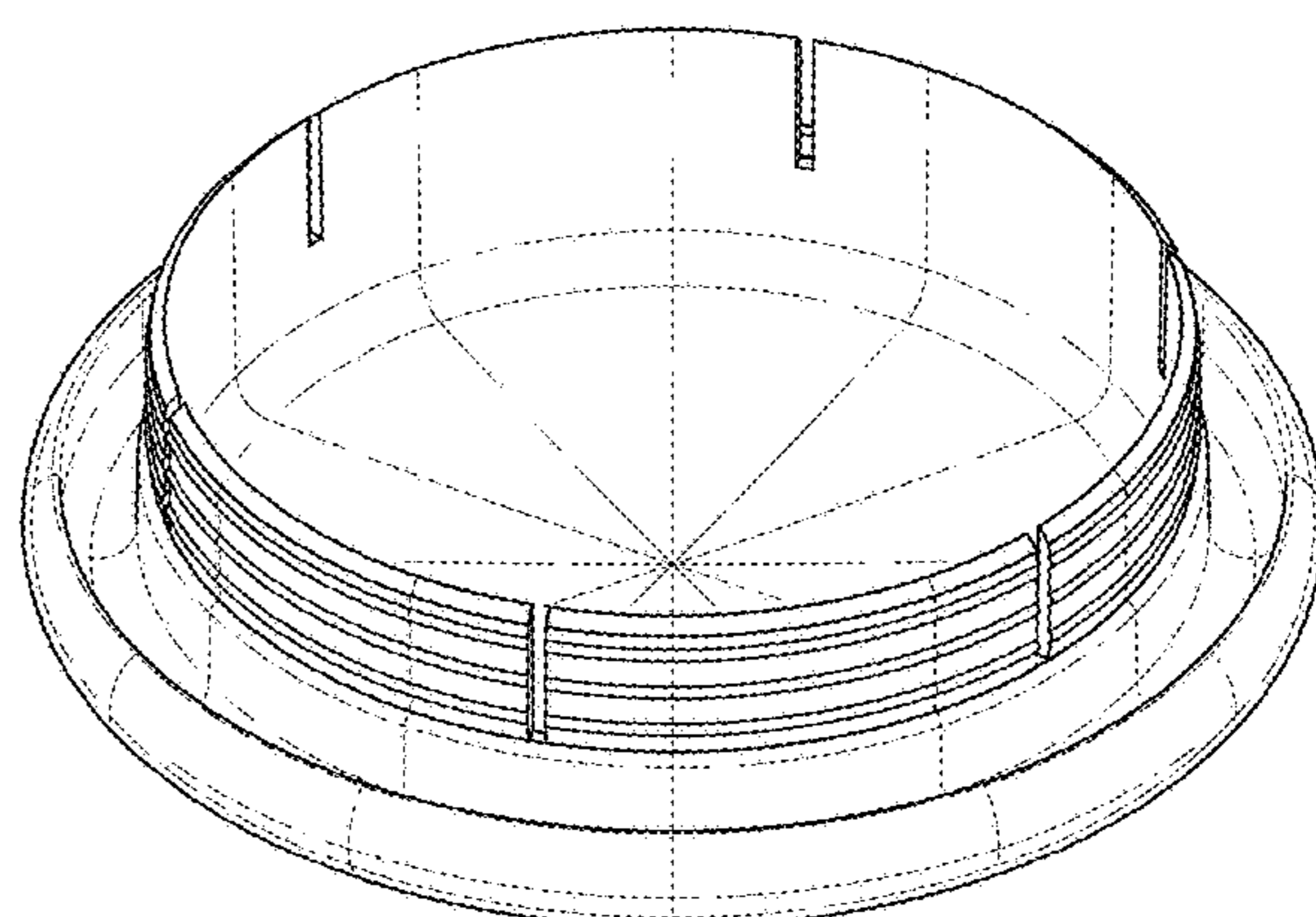
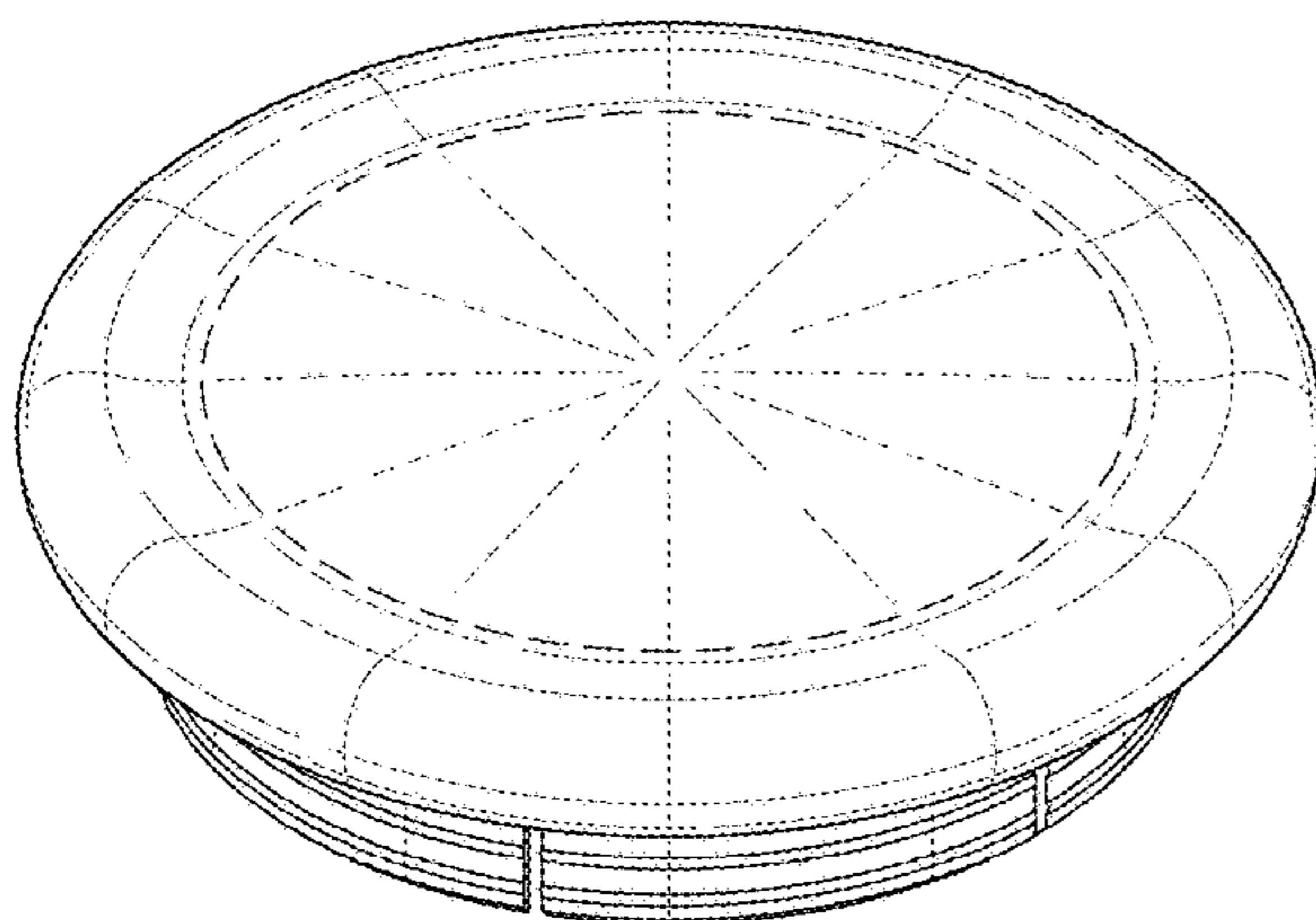
(57) **CLAIM**

The ornamental design for a container cover, as shown and described.

**DESCRIPTION**

FIG. 1 is a top perspective view of the container cover; FIG. 2 is a bottom perspective view of the FIG. 1 system; FIG. 3 is a top elevation view of the FIG. 1 system; FIG. 4 is a left side elevation view of the FIG. 1 system; FIG. 5 is a bottom elevation view of the FIG. 1 system; FIG. 6 is a right side view of the FIG. 1 system; and, FIG. 7 is a cross section view of the FIG. 1 system. Broken lining visible in FIGS. 1, 3, and 7 denote a circular area located on the top surface of the container cover. This area depicts environment and forms no part of the claim.

**1 Claim, 2 Drawing Sheets**



(56)

References Cited

U.S. PATENT DOCUMENTS

D357,322 S 4/1995 Matthews  
D368,222 S 3/1996 Hoefler  
D387,993 S 12/1997 Workman et al.  
D388,327 S 12/1997 Radosevich  
D405,532 S 2/1999 Melendez  
D411,457 S 6/1999 Ruda et al.  
D414,694 S 10/1999 Richter  
D424,940 S 5/2000 Degnen  
D438,977 S 3/2001 Khalaj  
D480,633 S 10/2003 Miranda  
D495,599 S 9/2004 Biesecker  
D503,886 S 4/2005 Biesecker  
D509,110 S 9/2005 Vovan  
D512,310 S 12/2005 Hite  
D536,614 S 2/2007 Peterson et al.  
D582,781 S 12/2008 Miller  
D639,442 S 6/2011 Chandler  
D641,631 S 7/2011 Kawahara et al.  
D645,358 S 9/2011 de Monclin  
D653,948 S 2/2012 Azar

D658,935 S 5/2012 Luppino et al.  
D673,858 S 1/2013 Horio  
D717,170 S 11/2014 Tan  
D735,033 S 7/2015 Lynd et al.  
D751,393 S \* 3/2016 Lynd ..... D9/439  
D751,399 S \* 3/2016 Lynd ..... D9/454

OTHER PUBLICATIONS

Red and Orange Peppers In A Glass Bottle for Decoration Over White Background Isolated, A Lot of Copyspace Available, Announced Dec. 6, 2010, [ Site Visited May 6, 2015 ] <http://www.shutterstock.com/pic-64388404/stock-photo-red-and-orange-peppers-in-a-glass-bottle-for-decoration-over-white-background-isolated-a-lot.html>.  
Naturally Me Creations: Crafty Recycling: Vitamin Container to Gift Box, Announced Dec. 19, 2011, [Site Visited May 6, 2015] <http://naturallymecreatinos.blogspot.com/2011/12/crafty-recycling-vitamin-container-to.html>.

\* cited by examiner

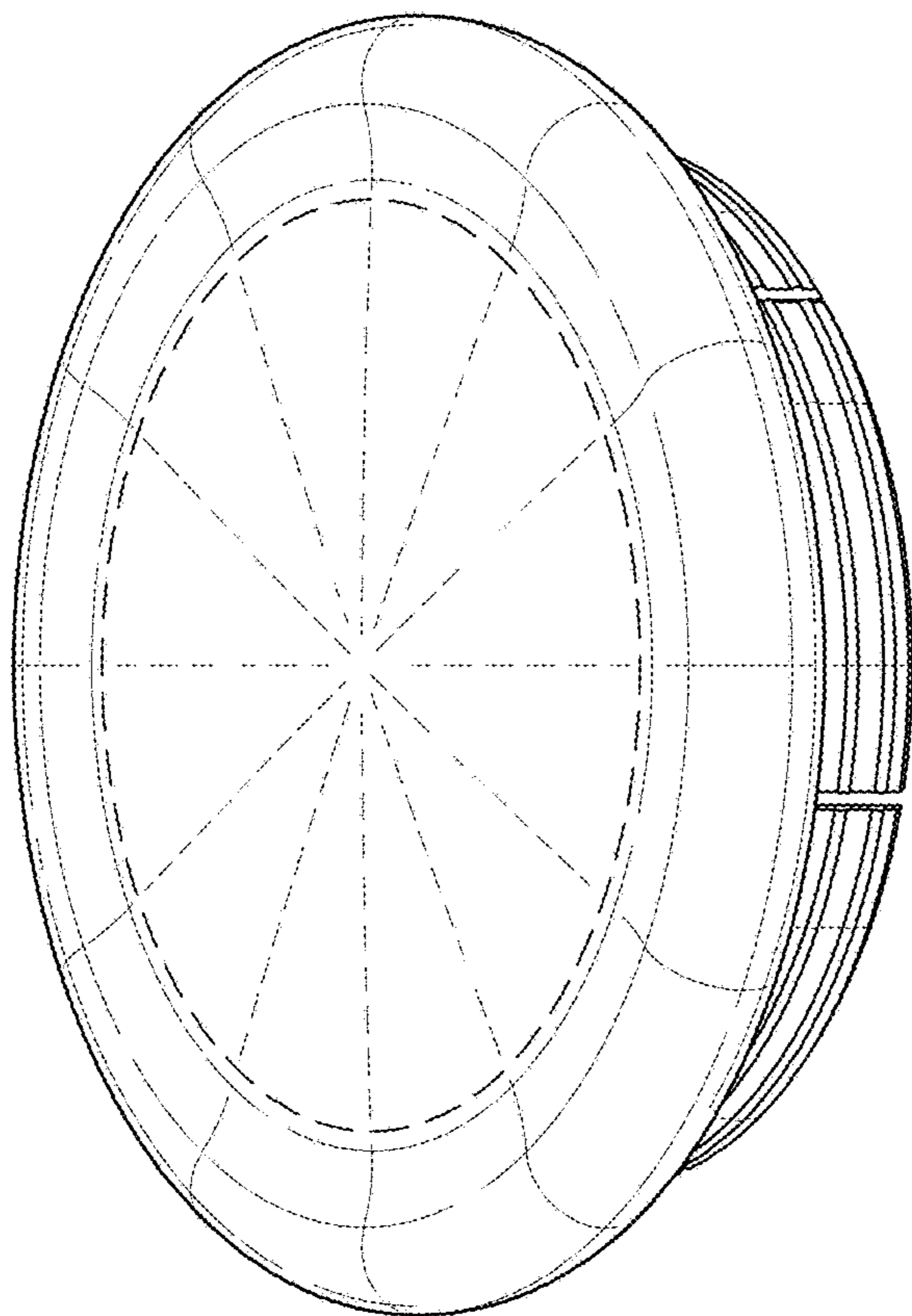


FIG-1

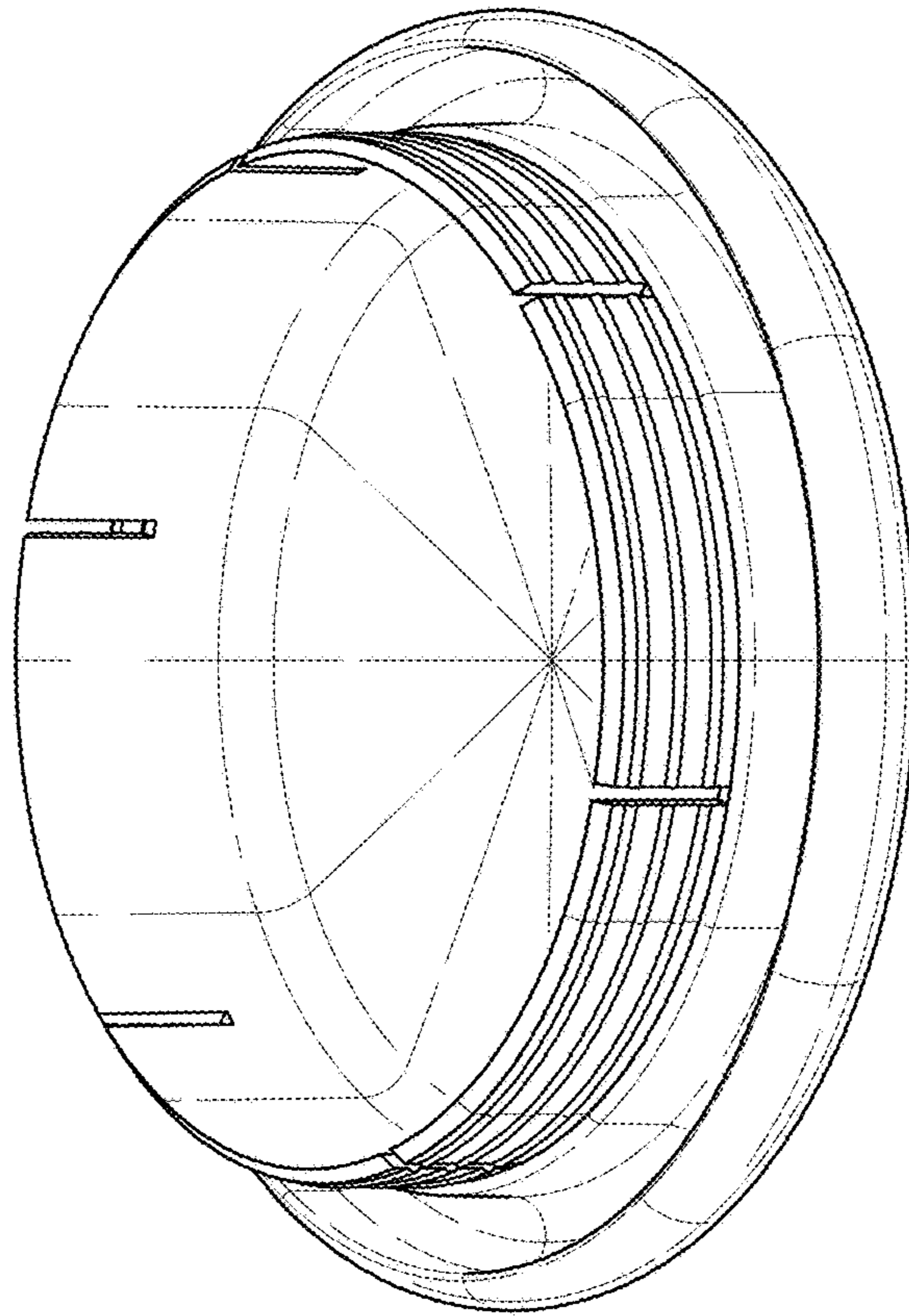


FIG-2

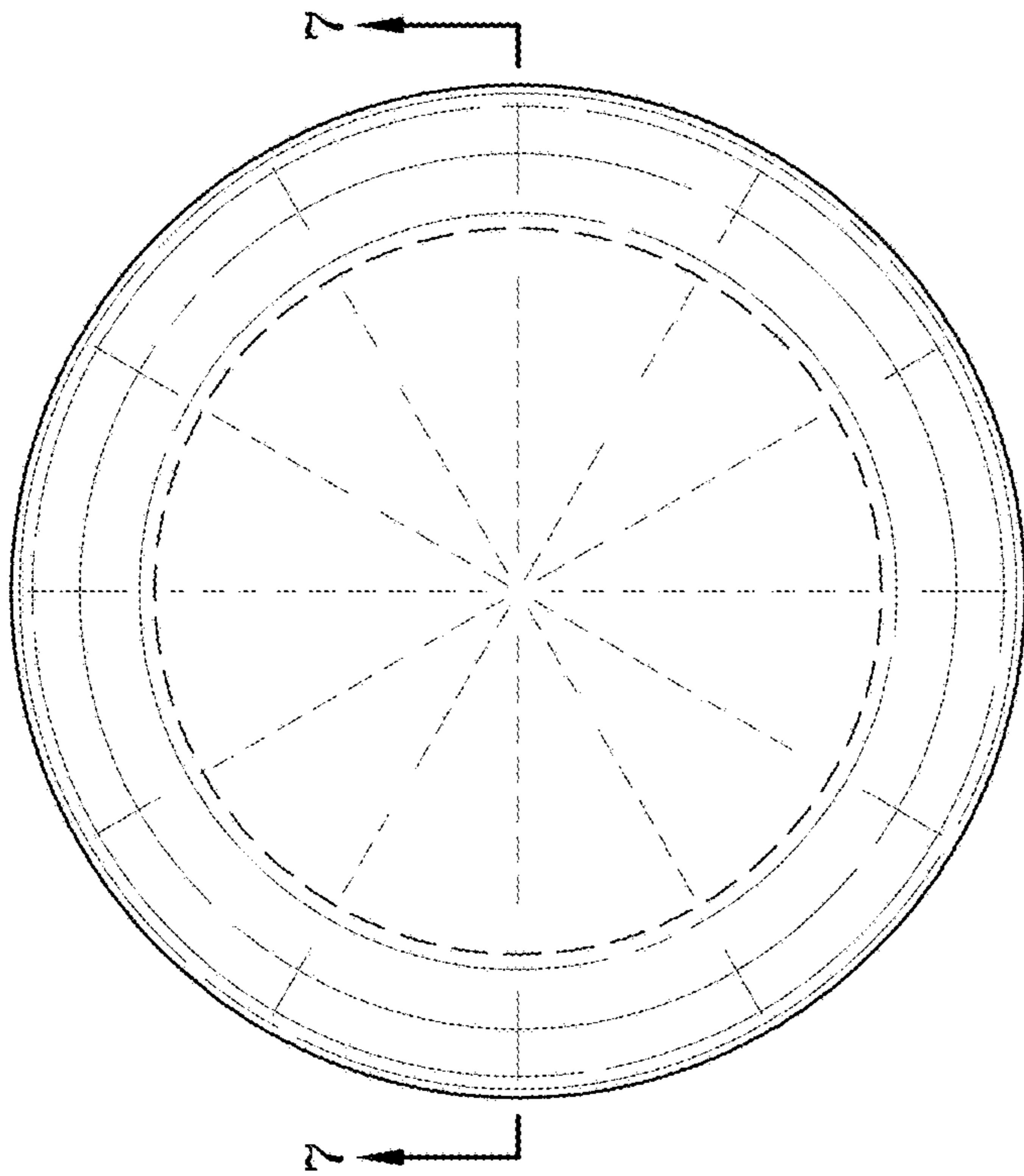


FIG-3

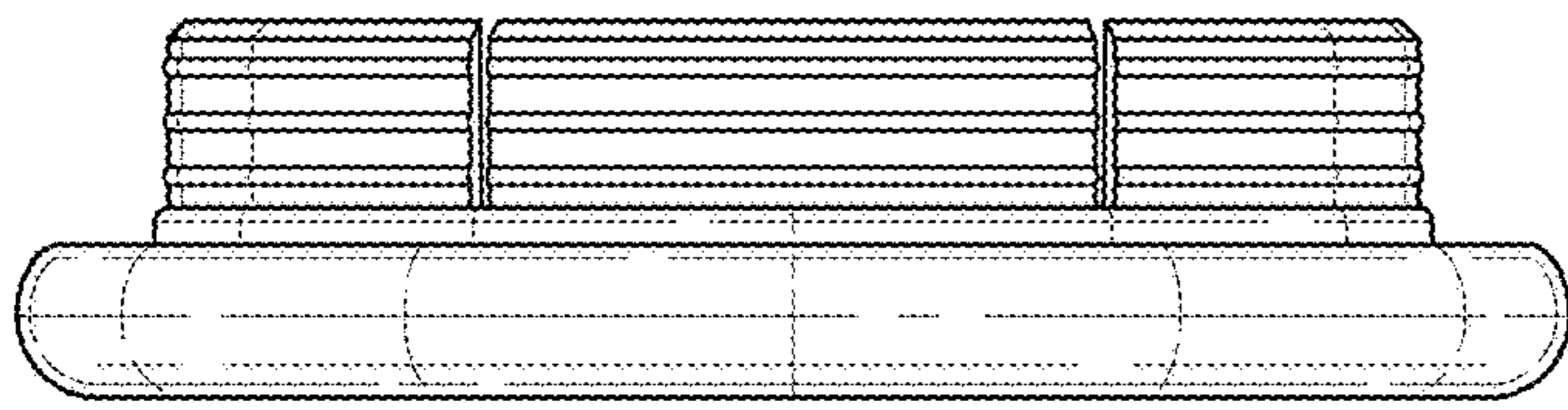


FIG-4

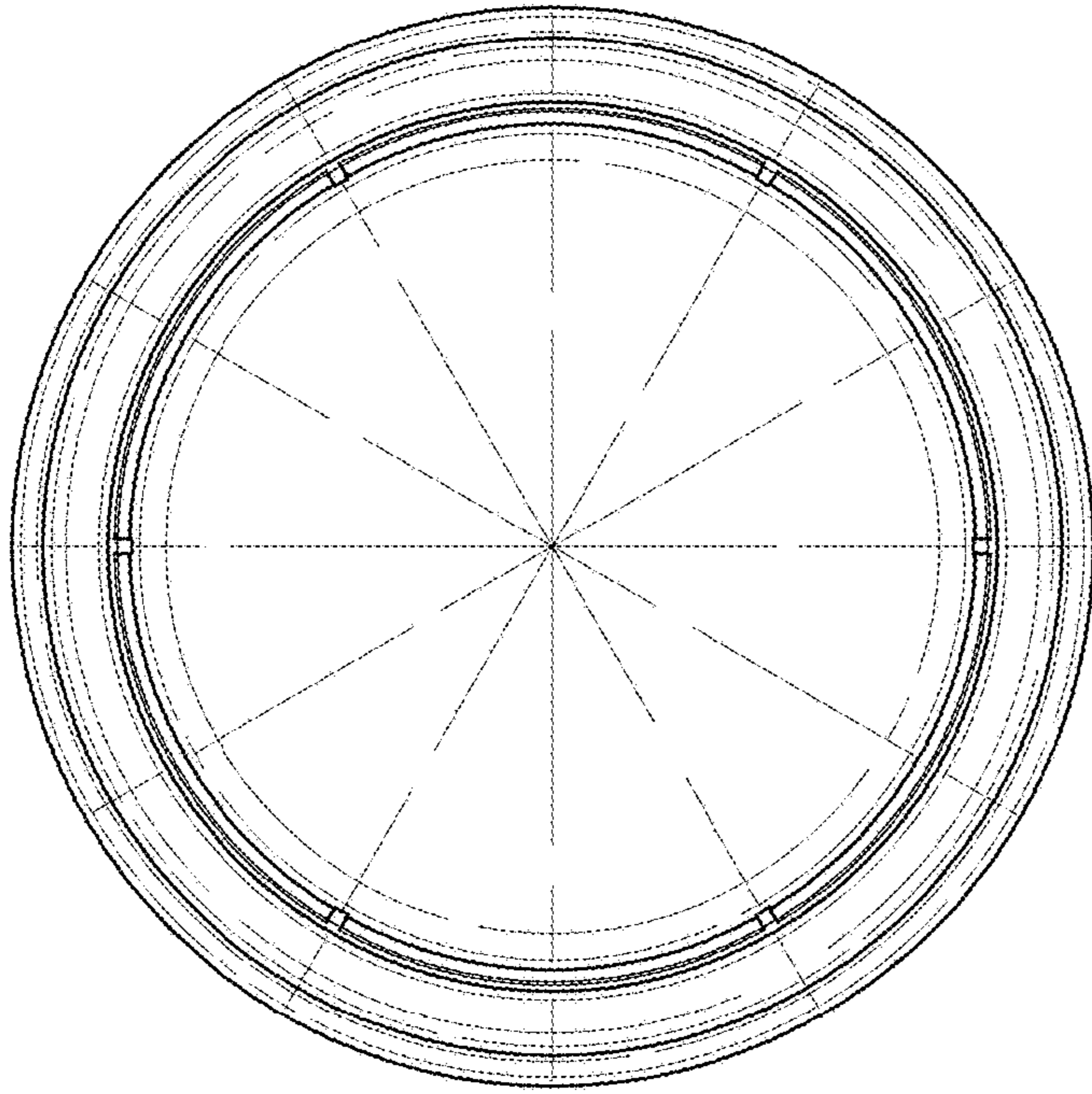


FIG-5

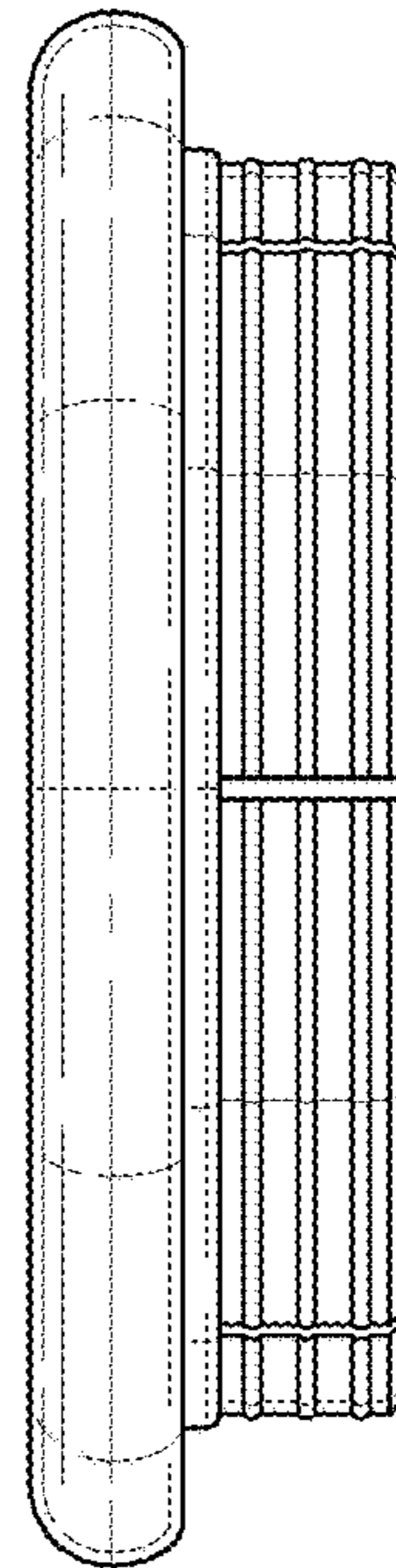


FIG-6

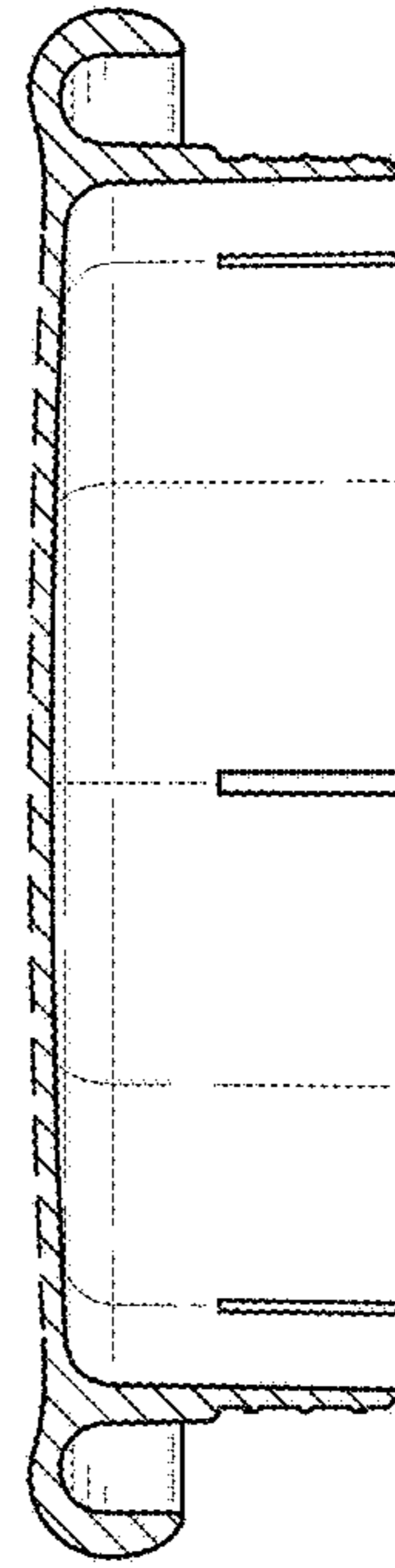


FIG-7