



US00D773293S

(12) **United States Design Patent**
Ugartechea Berlanga et al.

(10) **Patent No.:** **US D773,293 S**
(45) **Date of Patent:** **** Dec. 6, 2016**

(54) **CONNECTOR**
(71) Applicant: **Mausoleum, S.A. DE C.V.**, Queretaro,
Queretaro (MX)
(72) Inventors: **Alejandro Ugartechea Berlanga**,
Queretaro (MX); **Emilio Linares**
Limon, Queretaro (MX)
(73) Assignee: **MAUSOLEUM, S.A. DE C.V.**,
Queretaro (MX)
(**) Term: **14 Years**
(21) Appl. No.: **29/499,140**

4,019,300 A * 4/1977 Sauer E04B 9/067
52/506.06
4,714,370 A * 12/1987 Chen A47B 47/0008
403/171
4,921,369 A * 5/1990 Chew, II A47D 7/002
135/116
5,421,666 A * 6/1995 Spears B29C 65/561
403/169
6,283,457 B1 * 9/2001 Venegas, Jr. E01F 13/024
256/19
7,537,453 B2 * 5/2009 Morgan A47B 97/00
434/80
D611,332 S * 3/2010 Tedesco D8/380
D637,899 S * 5/2011 Tedesco D8/380
8,955,928 B2 * 2/2015 Cheng A47F 5/0018
220/4.33

(Continued)

(22) Filed: **Aug. 12, 2014**
(30) **Foreign Application Priority Data**
Mar. 6, 2014 (MX) MX/f/2014/000744
(51) **LOC (10) Cl.** **08-08**
(52) **U.S. Cl.**
USPC **D8/382**
(58) **Field of Classification Search**
USPC D8/382, 349, 354, 363, 373, 374,
376,D8/380, 394, 499
CPC E04H 13/006; E04H 13/008; E04G 7/12;
E04G 7/02; E02D 17/205; A47B 47/00;
A47B 47/0025; A47B 47/0033; A47B
47/0091; A47B 47/0008; A47B 47/0016
See application file for complete search history.

Primary Examiner — Sheryl Lane
Assistant Examiner — Ieisha Price
(74) *Attorney, Agent, or Firm* — Fraser Clemens Martin
& Miller LLC; James D. Miller

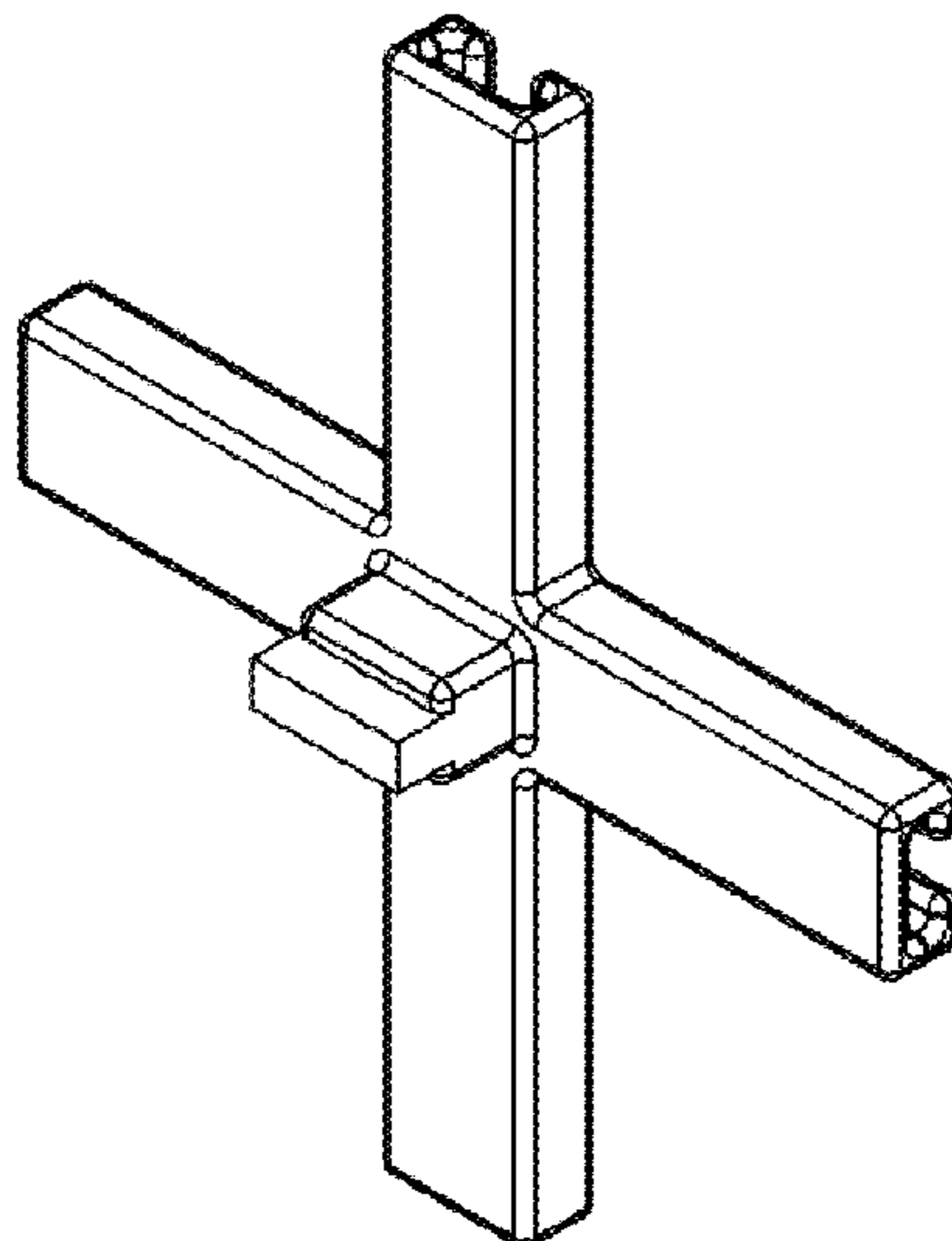
(56) **References Cited**
U.S. PATENT DOCUMENTS
2,839,320 A * 6/1958 Hill E04G 7/02
135/909
2,911,243 A * 11/1959 Micozzi E04G 7/02
403/173
3,386,590 A * 6/1968 Gretz F21V 35/00
211/182

(57) **CLAIM**
The ornamental design for a connector, as shown and
described.

DESCRIPTION

FIG. 1 is a perspective view of the connector showing our
new design.
FIG. 2 is a front view thereof;
FIG. 3 is a back view thereof;
FIG. 4 is a top view thereof;
FIG. 5 is a bottom view thereof; and,
FIG. 6 is a left side view thereof.
The ornamental design which is claimed is shown in solid
lines in the drawings. Any broken lines in the drawings are
for illustrative purposes only and form no part of the claimed
design.

1 Claim, 3 Drawing Sheets



(56)

References Cited

U.S. PATENT DOCUMENTS

2015/0076099 A1* 3/2015 Chang A47B 47/0033
211/186
2015/0308141 A1* 10/2015 Ugartechea
Berlanga A61G 99/00
52/135
2015/0335151 A1* 11/2015 Funfgeld A47B 47/042
403/205

* cited by examiner

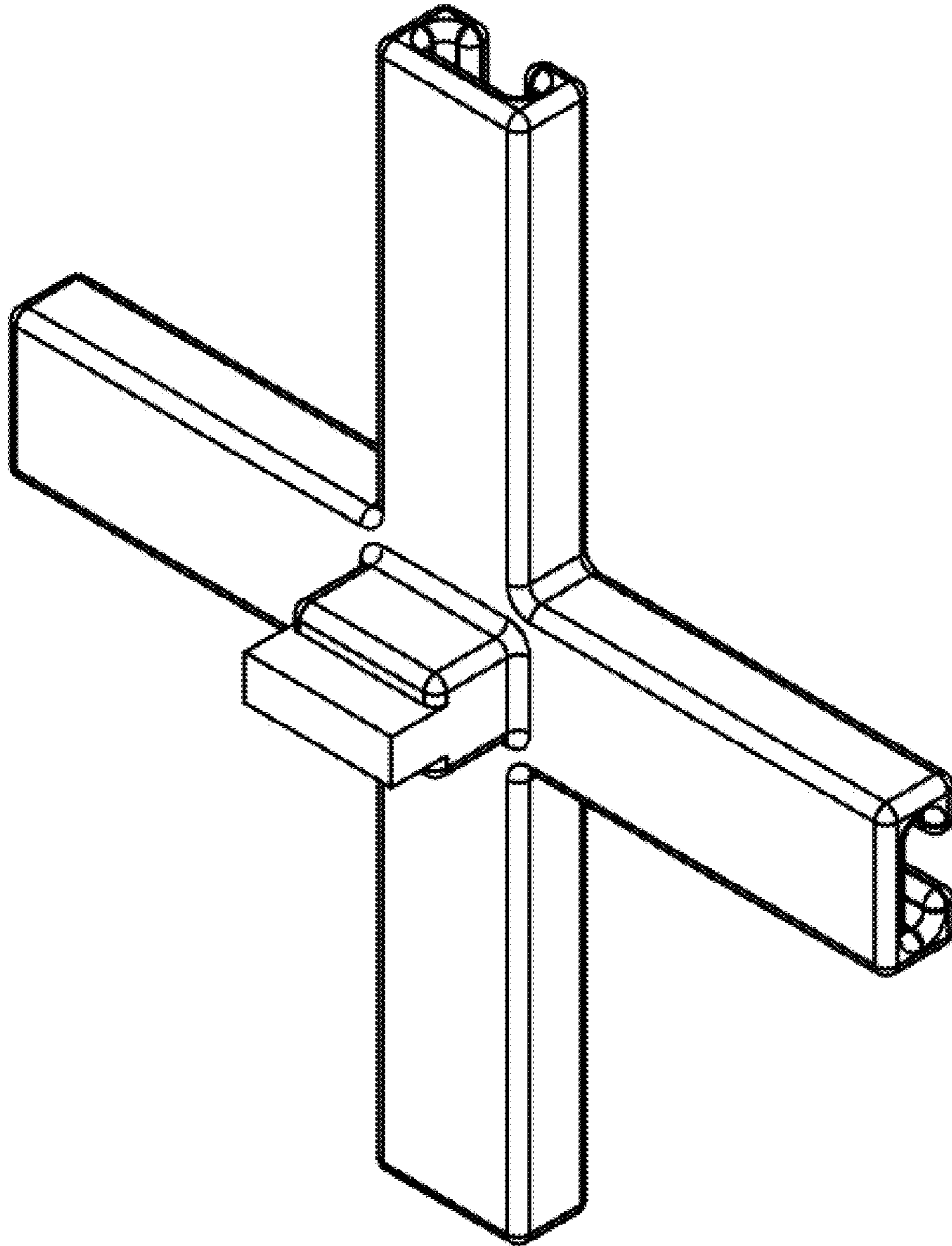


Fig. 1

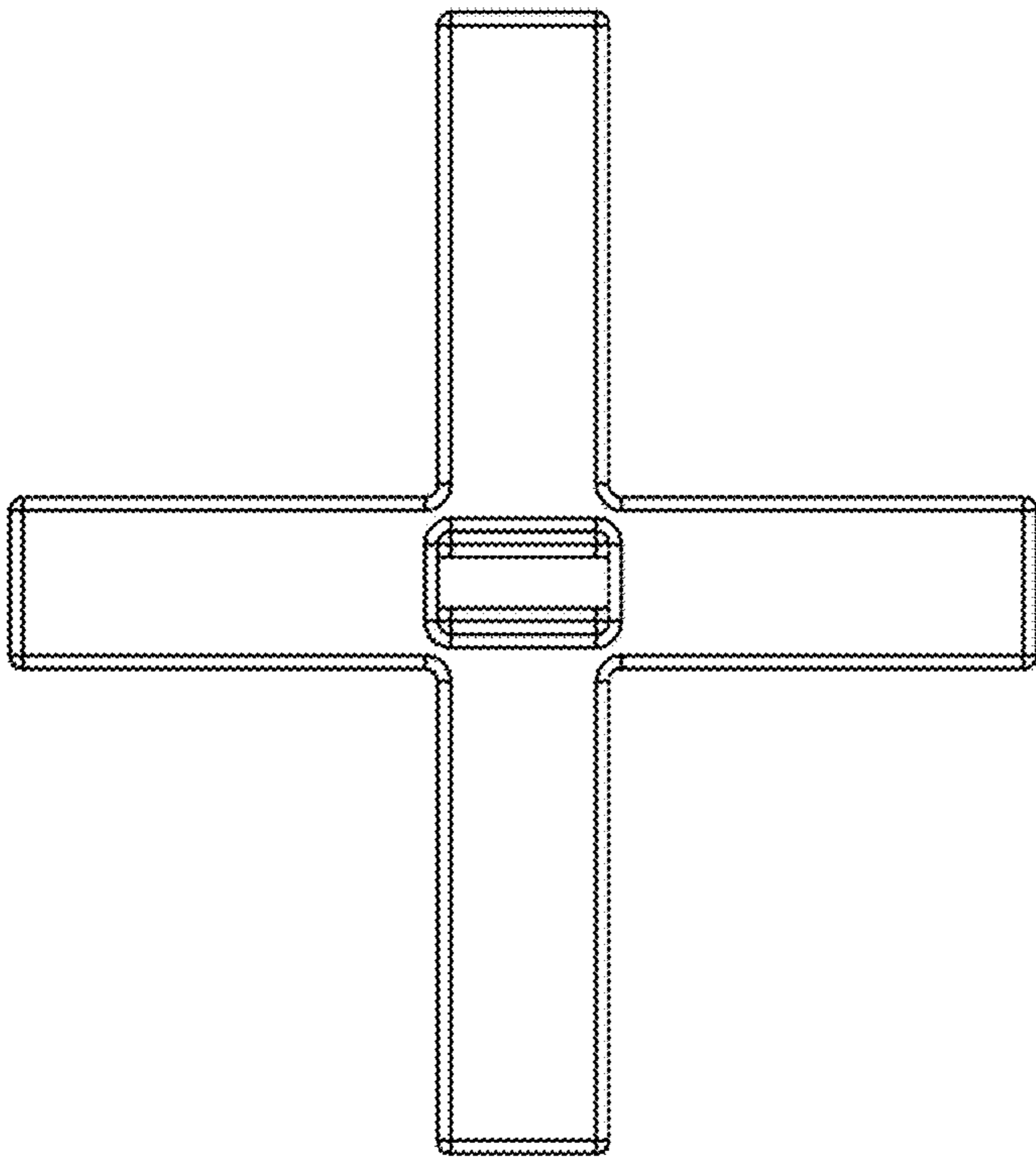


Fig. 2

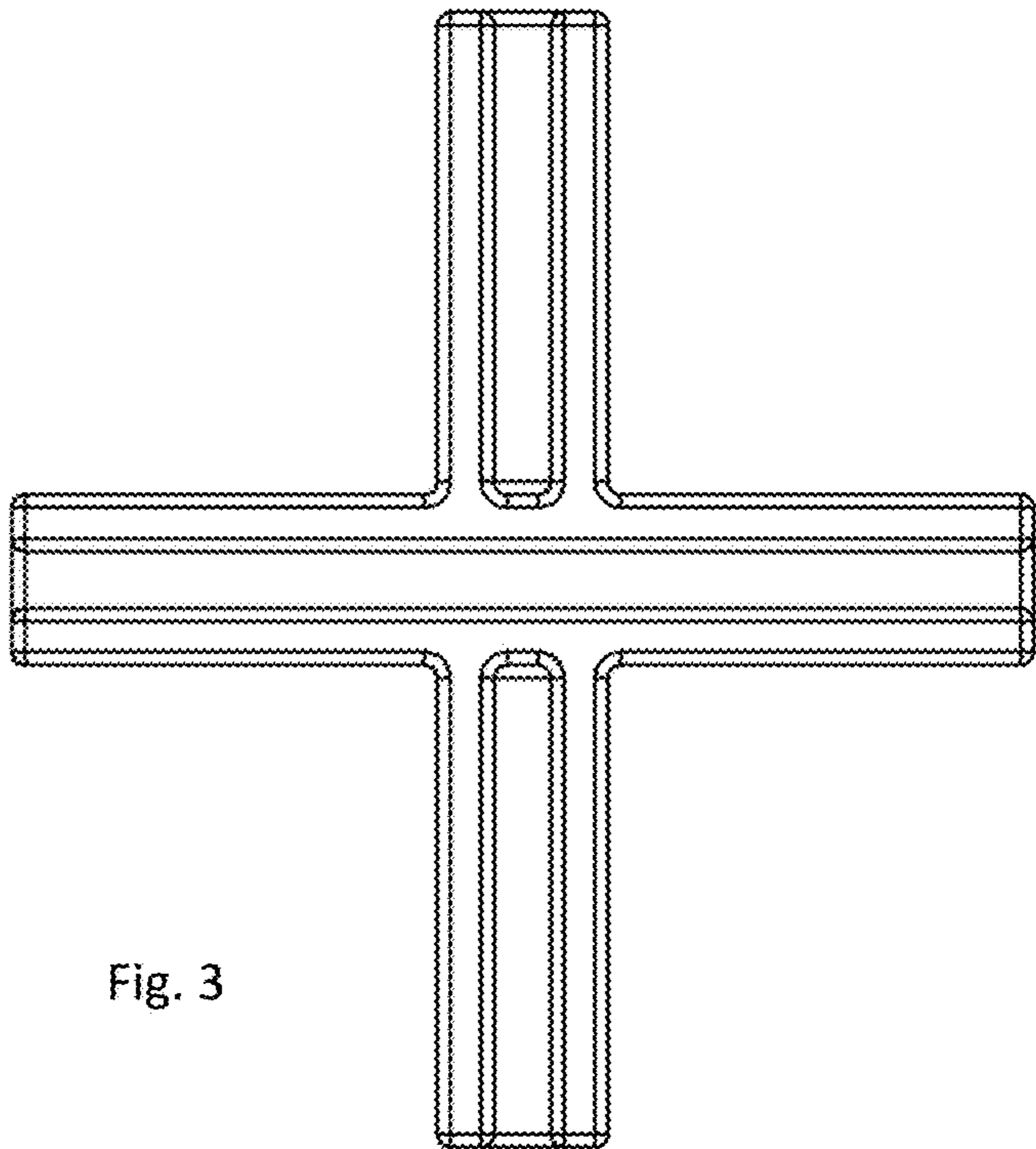


Fig. 3

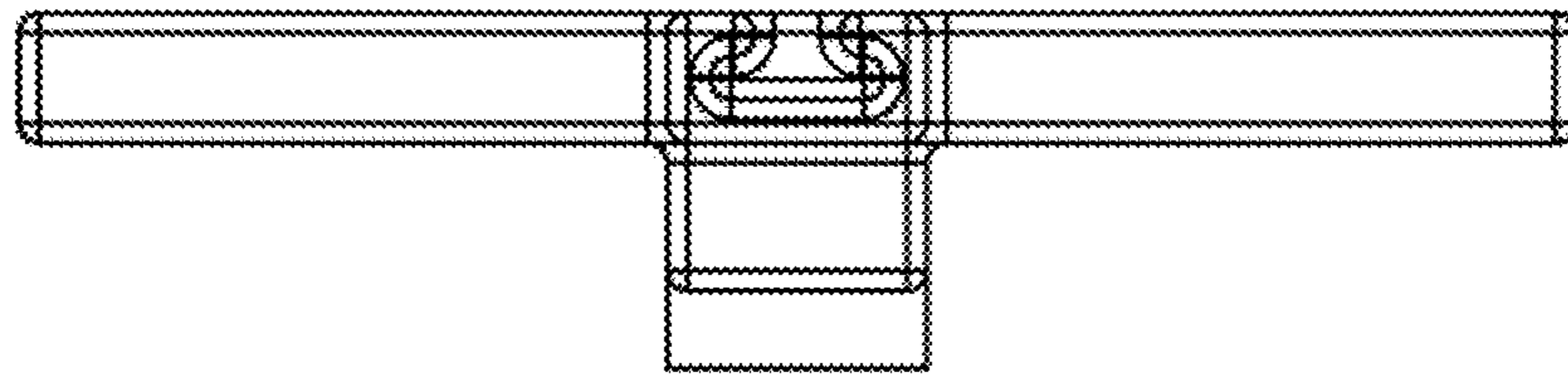


Fig. 4

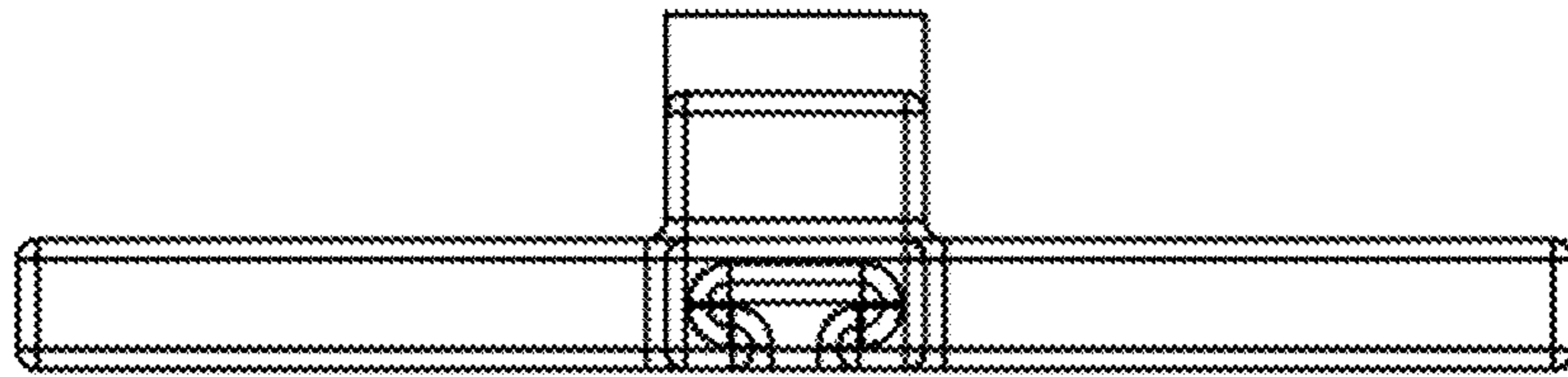


Fig. 5

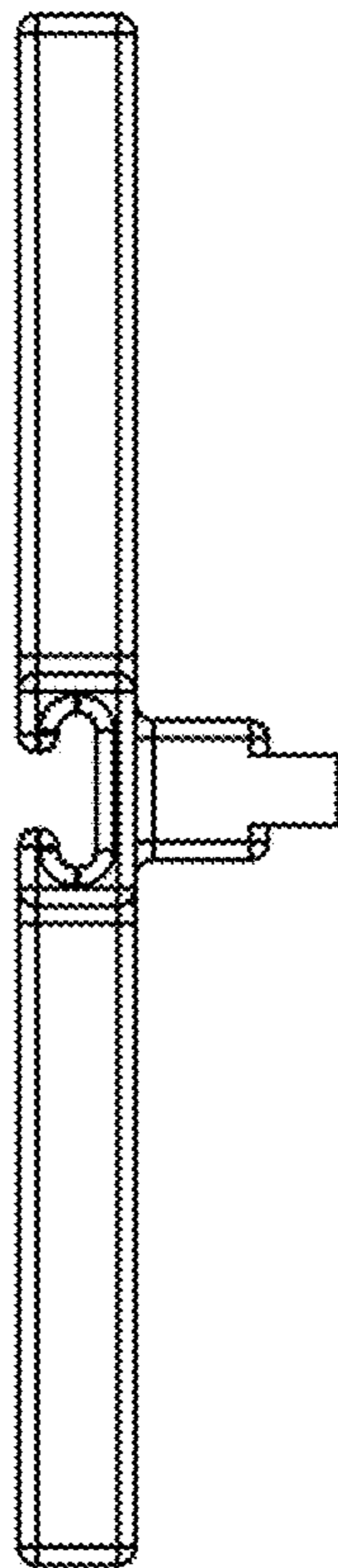


Fig. 6