

US00D773292S

(12) **United States Design Patent** (10) **Patent No.:** **US D773,292 S**
Ziaylek et al. (45) **Date of Patent:** **** Dec. 6, 2016**

(54) **TANK MOUNTING APPARATUS**
(71) Applicant: **Michael P. Ziaylek**, Yardley, PA (US)
(72) Inventors: **Michael P. Ziaylek**, Yardley, PA (US);
W. Brian McGinty, Huntington Valley, PA (US)
(73) Assignee: **Michael P. Ziaylek**, Yardley, PA (US)
(**) Term: **15 Years**
(21) Appl. No.: **29/543,443**
(22) Filed: **Oct. 23, 2015**
(51) **LOC (10) Cl.** **08-05**
(52) **U.S. Cl.**
USPC **D8/373**; D8/349; D15/28
(58) **Field of Classification Search**
USPC D15/17, 28; D29/125, 130; D8/53, 100,
D8/354, 356, 365, 371, 373, 394-396, 499,
D8/349; D6/573; D12/51, 214; 248/74.2,
248/300, 301, 312, 313, 316.7, 229.26,
248/311.2, 309.1; 24/546, 563, 327, 334;
D24/128
CPC A62C 13/78; A62C 13/00; F17C 13/084;
F17C 2201/0109; F17C 2201/032; F17C
2201/058; F17C 2205/0107; F17C
2205/0126; F17C 2205/018; A62B 9/04;
A62B 28/00; A47K 1/08; A47C 7/62;
A47G 23/02; B60R 11/00; B60R 2011/0015;
B60R 7/00; F16M 11/00; B62B 1/00
See application file for complete search history.

(56) **References Cited**
U.S. PATENT DOCUMENTS
D237,357 S * 10/1975 Ziaylek, Jr. D8/373
D245,929 S * 9/1977 Montambo D29/130
D267,227 S * 12/1982 Ziaylek, Jr. D8/373
D394,381 S * 5/1998 Ziaylek, Jr. D8/354
D434,495 S * 11/2000 Whalen D24/128
6,702,242 B1 * 3/2004 Ziaylek, Jr. B60N 2/24
248/154

D494,049 S * 8/2004 Ziaylek D8/373
D494,453 S * 8/2004 Ziaylek D8/373
6,883,766 B1 * 4/2005 Ziaylek A62B 9/04
248/154
6,926,243 B1 * 8/2005 Ziaylek A62B 25/00
248/307
D545,003 S * 6/2007 Heerdt D29/130
D558,566 S * 1/2008 Ziaylek D8/373
D562,116 S * 2/2008 Ziaylek D8/373
7,448,586 B2 * 11/2008 Ziaylek A62B 25/00
248/311.3
7,503,535 B2 * 3/2009 Ziaylek A62B 9/04
248/313
D607,312 S * 1/2010 Silverman D8/373
D618,987 S * 7/2010 Ziaylek D8/373
D620,783 S * 8/2010 Ziaylek D8/373
8,152,123 B2 * 4/2012 Ziaylek A62B 9/04
248/311.2
8,220,764 B2 * 7/2012 Ziaylek A62B 25/00
224/275

(Continued)

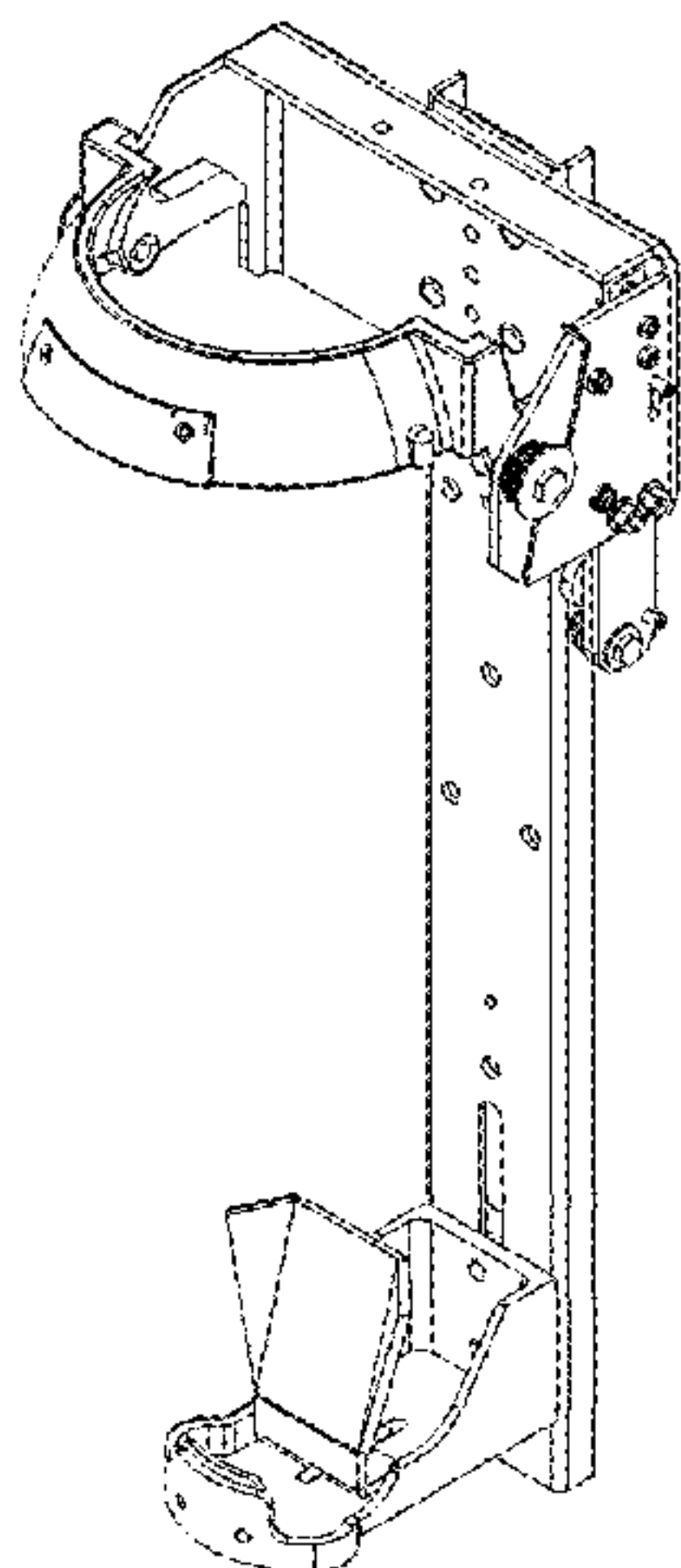
Primary Examiner — Mark Goodwin
(74) *Attorney, Agent, or Firm* — Fox Rothschild LLP

(57) **CLAIM**
The ornamental design for a tank mounting apparatus, as shown and described.

DESCRIPTION

FIG. 1 is an isometric view of a tank mounting apparatus according to the present invention.
FIG. 2 is a right side elevation view of the tank mounting apparatus of FIG. 1.
FIG. 3 is a left side elevation view of the tank mounting apparatus of FIG. 1.
FIG. 4 is a front elevation view of the tank mounting apparatus of FIG. 1.
FIG. 5 is a rear elevation view of the tank mounting apparatus of FIG. 1.
FIG. 6 is a top plan view of the tank mounting apparatus of FIG. 1; and,
FIG. 7 is a bottom plan view of the tank mounting apparatus of FIG. 1.

1 Claim, 7 Drawing Sheets



(56)

References Cited

U.S. PATENT DOCUMENTS

8,382,419 B2 * 2/2013 Agoncillo B66F 5/04
414/546
D689,980 S * 9/2013 Ziaylek D23/206
8,668,178 B2 * 3/2014 Ziaylek F17C 13/084
224/570
D704,900 S * 5/2014 Childs D29/130
8,985,933 B2 * 3/2015 Ziaylek B60R 9/0423
182/127

D729,142 S * 5/2015 Ziaylek D12/223
D734,659 S * 7/2015 Ziaylek D12/133
D739,612 S * 9/2015 Kronebusch D29/130
9,168,189 B2 * 10/2015 Ziaylek A61G 1/04
D747,177 S * 1/2016 McGinty D8/349
D752,838 S * 3/2016 Ziaylek D34/28
D754,001 S * 4/2016 Barrier D7/622
9,308,873 B2 * 4/2016 Ziaylek B60R 11/00
9,388,029 B2 * 7/2016 Ziaylek B65G 7/00

* cited by examiner

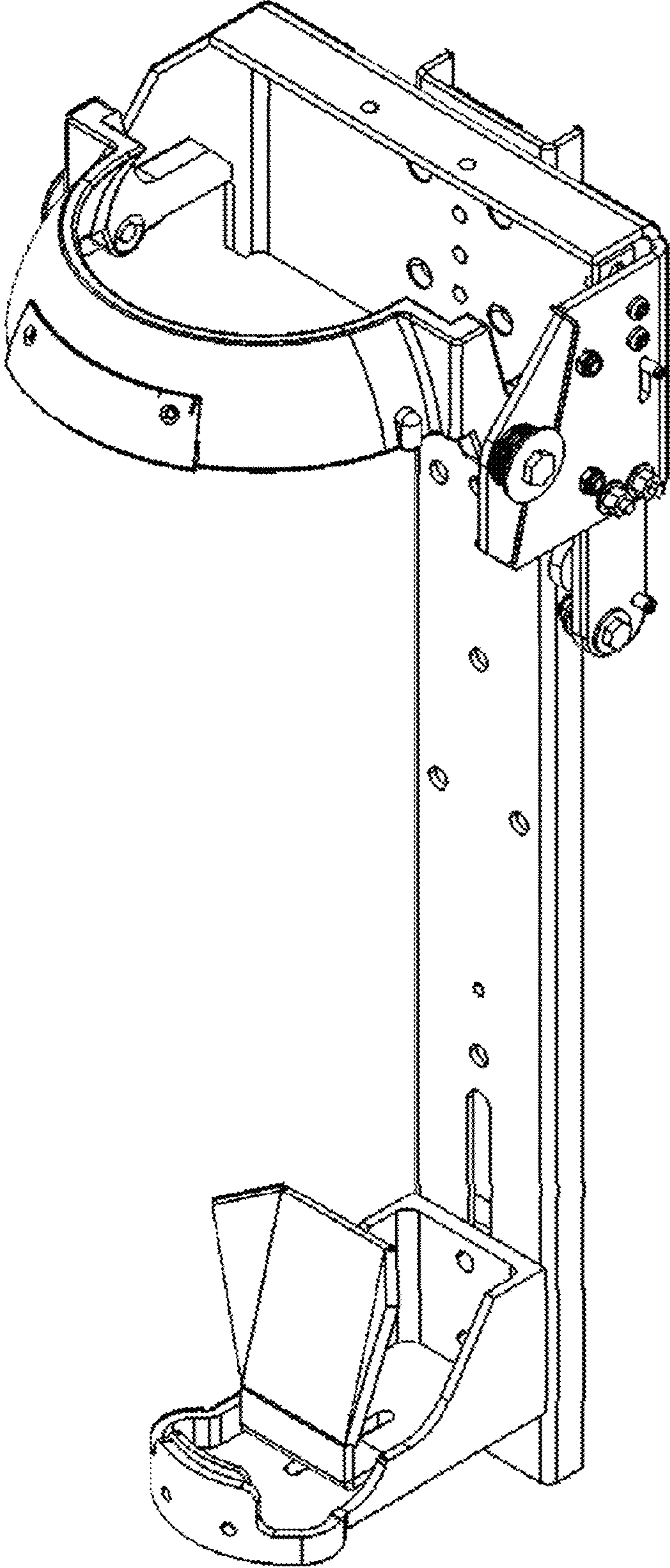


Fig. 1

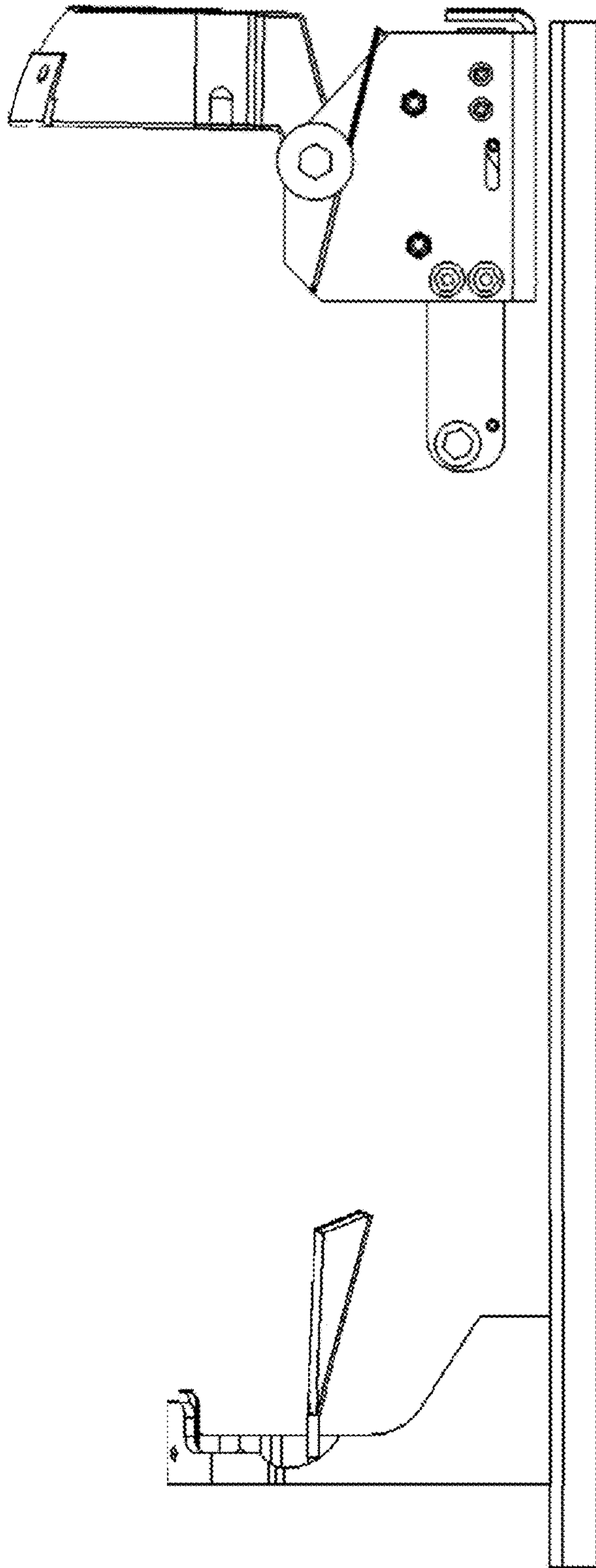


Fig. 2

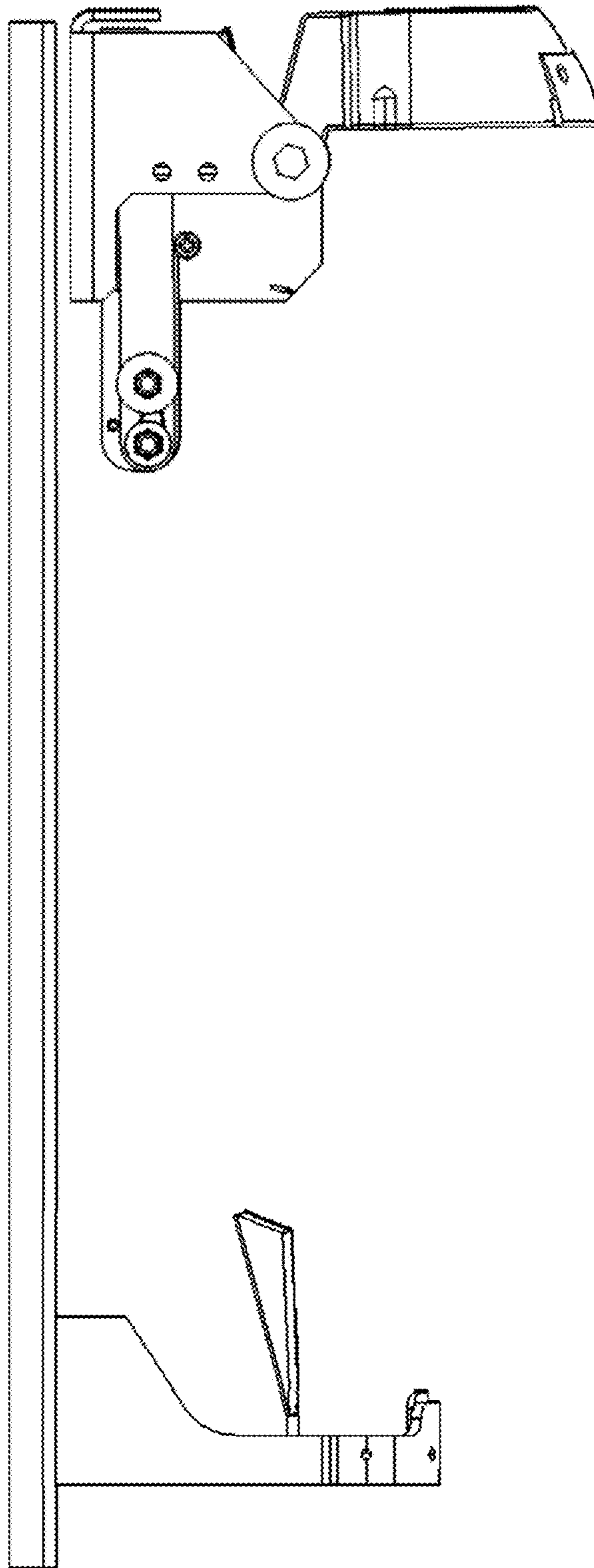


Fig. 3

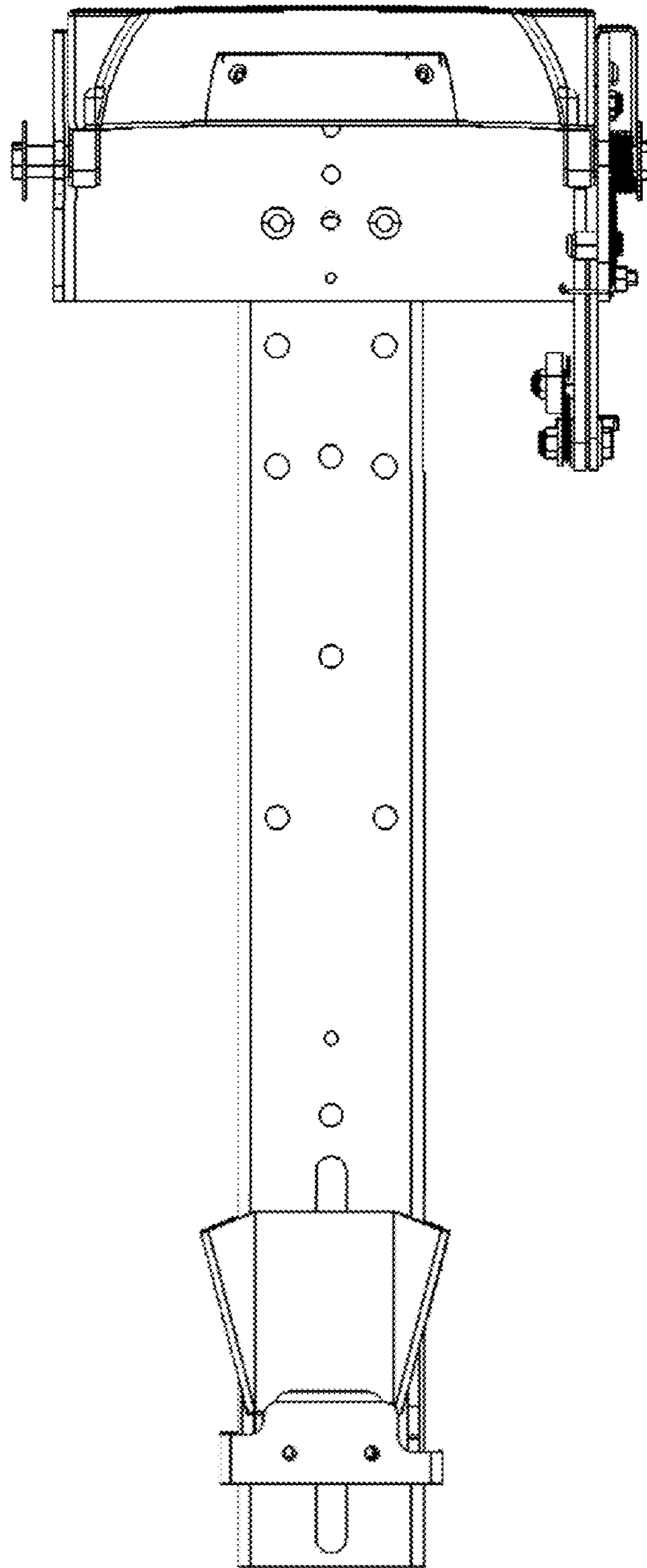


Fig. 4

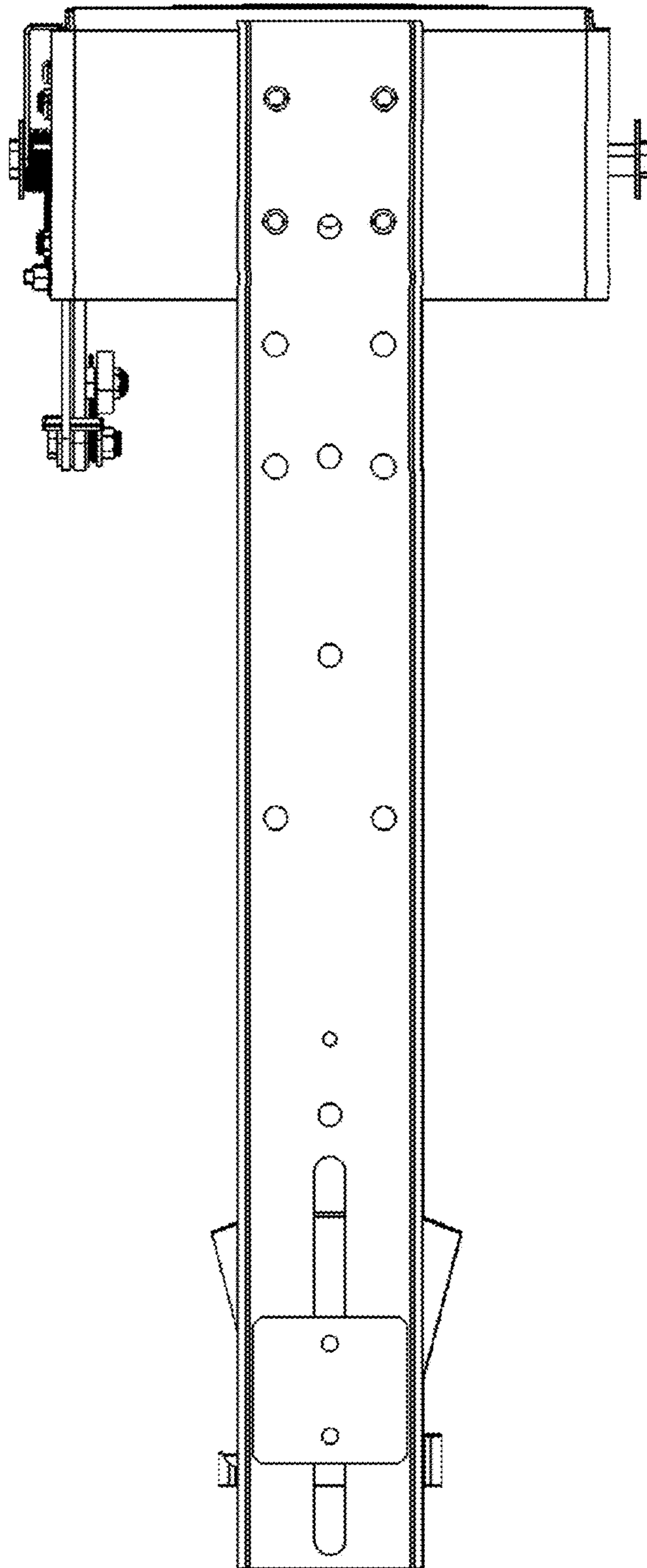


Fig. 5

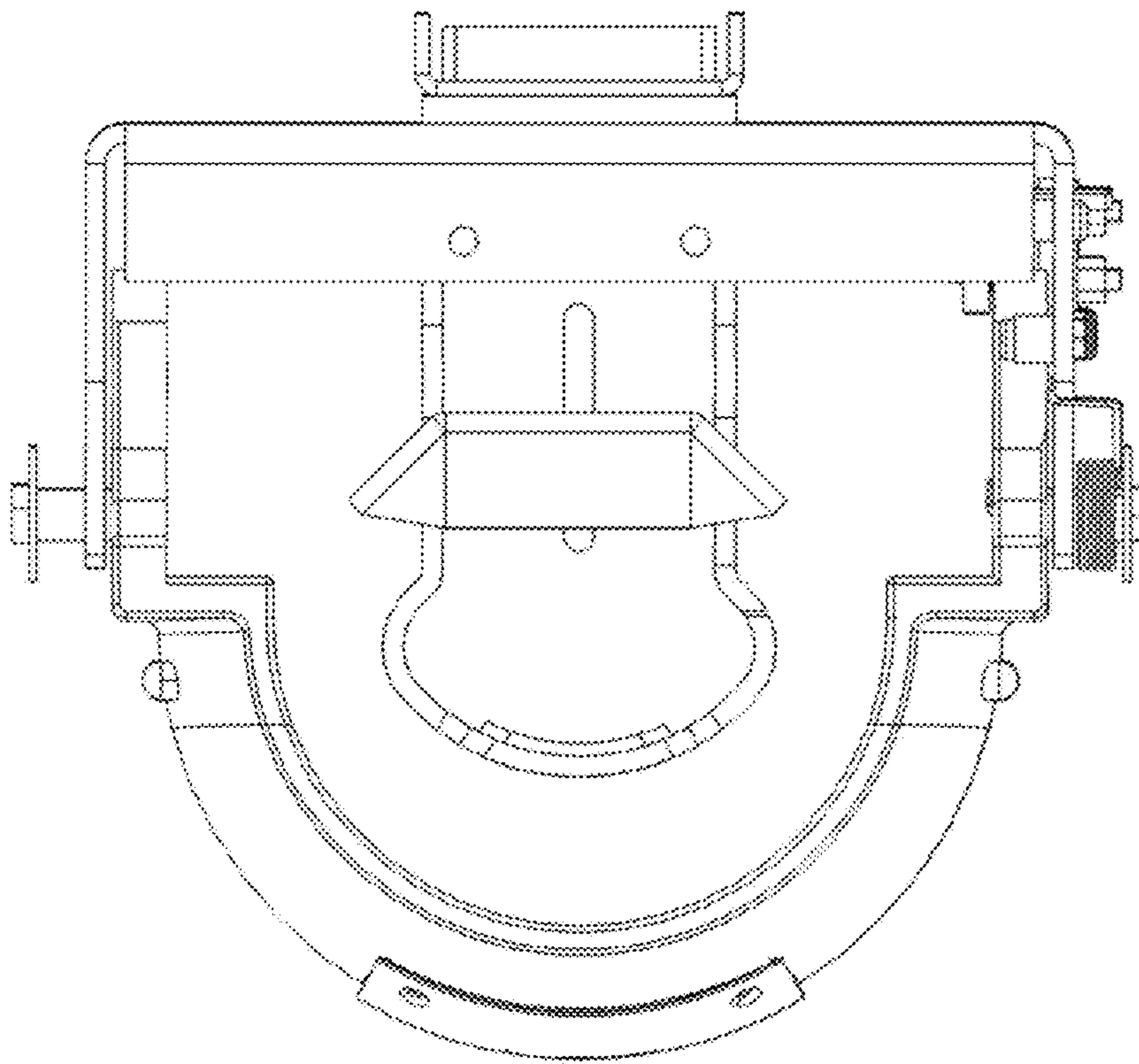


Fig. 6

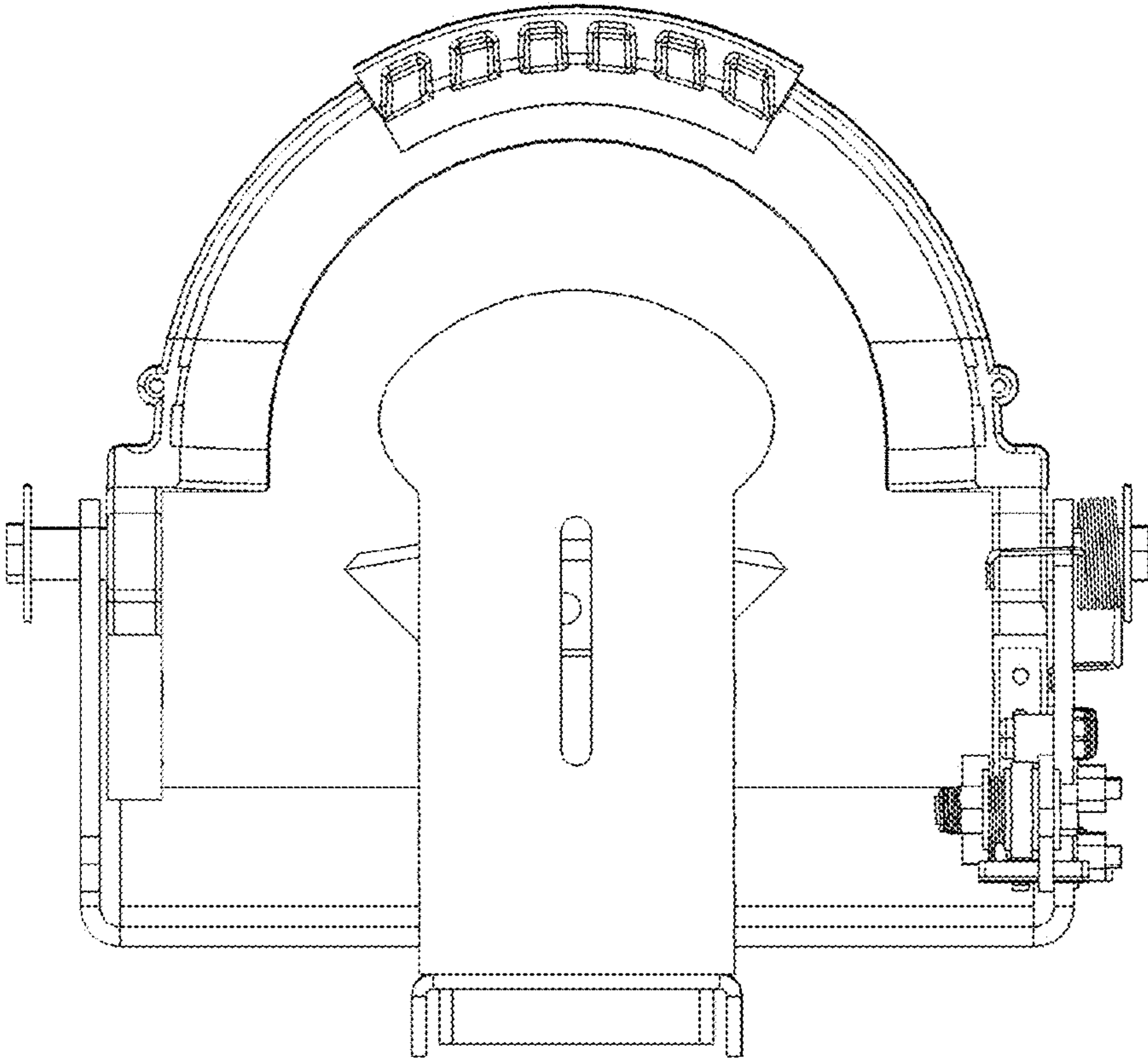


Fig. 7