



US00D773289S

(12) **United States Design Patent** (10) **Patent No.:** **US D773,289 S**  
**Green et al.** (45) **Date of Patent:** **\*\* Dec. 6, 2016**

(54) **WALL HANGER**

(71) Applicant: **RB Distribution, Inc.**, Colmar, PA (US)

(72) Inventors: **Roy Green**, Philadelphia, PA (US);  
**Anthony Barrilli**, Hatfield, PA (US);  
**Brian Murphy**, Newtown, PA (US)

(73) Assignee: **RB DISTRIBUTION, INC.**, Colmar, PA (US)

(\*\*) Term: **15 Years**

(21) Appl. No.: **29/561,250**

(22) Filed: **Apr. 14, 2016**

**Related U.S. Application Data**

(62) Division of application No. 29/454,782, filed on May 14, 2013, now Pat. No. Des. 754,527.

(51) **LOC (10) Cl.** ..... **08-05**

(52) **U.S. Cl.**  
USPC ..... **D8/372**; D8/373; D8/349; D8/354

(58) **Field of Classification Search**  
USPC ..... D8/16, 18, 19, 71, 349, 354, 372, 373, D8/380, 381, 499; D11/132, 95; D6/600, 320, D6/323, 328, 553, 567  
CPC ..... A47G 1/16; A47G 29/00; A47G 25/06; A47G 25/10; A47G 25/0635; A47G 25/746; A47G 1/1633; A47G 35/00; A47G 1/20; F16B 45/00  
See application file for complete search history.

(56) **References Cited**

**U.S. PATENT DOCUMENTS**

D30,486 S \* 4/1899 Lieber ..... 15/236.05  
3,966,157 A \* 6/1976 Corral ..... A47G 1/20  
248/217.3

D242,524 S 11/1976 Washburn  
4,094,490 A 6/1978 Einhorn  
D281,144 S \* 10/1985 Astolfi ..... D6/300  
4,669,169 A 6/1987 Hogg  
4,708,552 A 11/1987 Bustos et al.  
D296,759 S \* 7/1988 Greenhut ..... D8/367  
D306,385 S 3/1990 Alexander et al.  
6,095,465 A 8/2000 Weck et al.  
D461,397 S 8/2002 Weck et al.

(Continued)

**OTHER PUBLICATIONS**

Silver And Gold Diamond Plaques 1 Gold Plate Diamond Plaque, image post date unknown, site visited on Dec. 1, 2015 (on line ), <[https://www.crownawards.com/Store\\_Front/PLDMG\\_7\\_ALL.Plaques\\_Gold\\_Plate\\_Diamond\\_Plaque\\_prod](https://www.crownawards.com/Store_Front/PLDMG_7_ALL.Plaques_Gold_Plate_Diamond_Plaque_prod)>.

*Primary Examiner* — Sandra Snapp  
*Assistant Examiner* — Ieisha Price

(74) *Attorney, Agent, or Firm* — Volpe and Koenig, P.C.

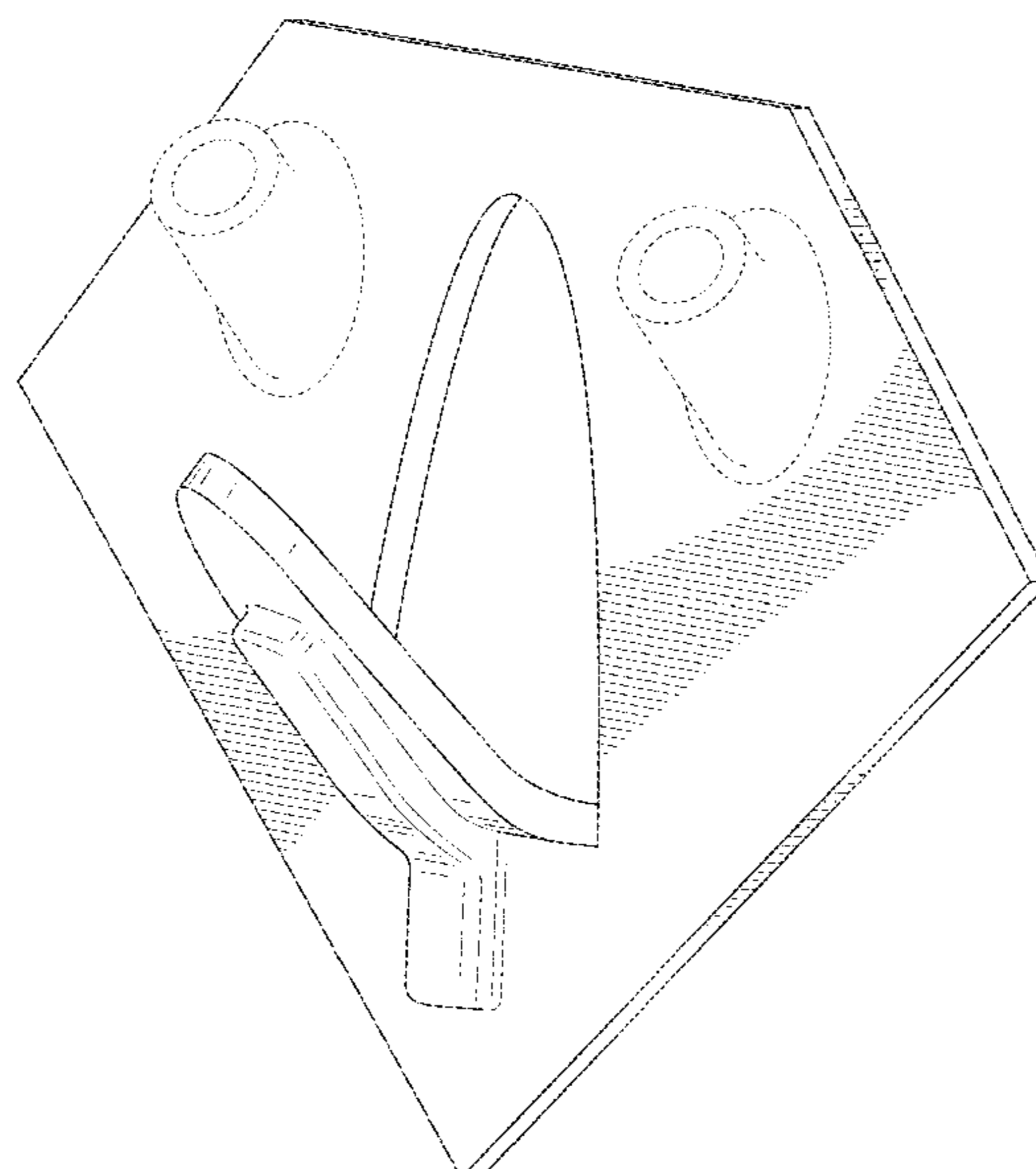
(57) **CLAIM**

The ornamental design for a wall hanger, as shown and described.

**DESCRIPTION**

FIG. 1 is a front perspective of a wall hanger according to the invention;  
FIG. 2 is a front elevation of the wall hanger of FIG. 1;  
FIG. 3 is a rear elevation of the wall hanger of FIG. 1;  
FIG. 4 is a right side elevation of the wall hanger of FIG. 1;  
FIG. 5 is a left side elevation of the wall hanger of FIG. 1;  
FIG. 6 is a top plan view of the wall hanger of FIG. 1; and,  
FIG. 7 is a bottom plan view of the wall hanger of FIG. 1.  
The broken lines in the drawings illustrate portions of the wall hanger that form no part of the claimed design.

**1 Claim, 5 Drawing Sheets**



(56)

**References Cited**

U.S. PATENT DOCUMENTS

6,478,273	B1 *	11/2002	McKeirnan, Jr. ....	B43M 15/00 24/67 P
D474,106	S	5/2003	Weck et al.	
D514,142	S	1/2006	Olsen et al.	
D559,091	S	1/2008	Skorka	
D589,330	S	3/2009	Weck et al.	
D604,597	S	11/2009	Fernandez et al.	
D604,598	S	11/2009	Fernandez et al.	
D616,286	S	5/2010	Foresman	
D653,523	S	2/2012	Wackwitz et al.	
D666,444	S	9/2012	Tharp et al.	
D666,445	S	9/2012	Tharp et al.	
D666,473	S	9/2012	Despotellis	
D666,474	S	9/2012	Despotellis	
D666,895	S	9/2012	Despotellis	
D704,037	S *	5/2014	Popkin .....	D8/367
D717,157	S	11/2014	Widdows et al.	
D723,355	S	3/2015	Federspiel	
D754,527	S *	4/2016	Green .....	D8/349
2003/0085331	A1	5/2003	Weck et al.	
2007/0194202	A1	8/2007	Lamotta	
2007/0295879	A1	12/2007	Wong	
2007/0295880	A1 *	12/2007	Wong .....	A47G 1/20 248/495
2010/0213333	A1	8/2010	Mejia et al.	
2010/0294910	A1	11/2010	Grant Orsini et al.	
2011/0012006	A1	1/2011	Serio	
2015/0108304	A1	4/2015	Larsen Roldan	

\* cited by examiner

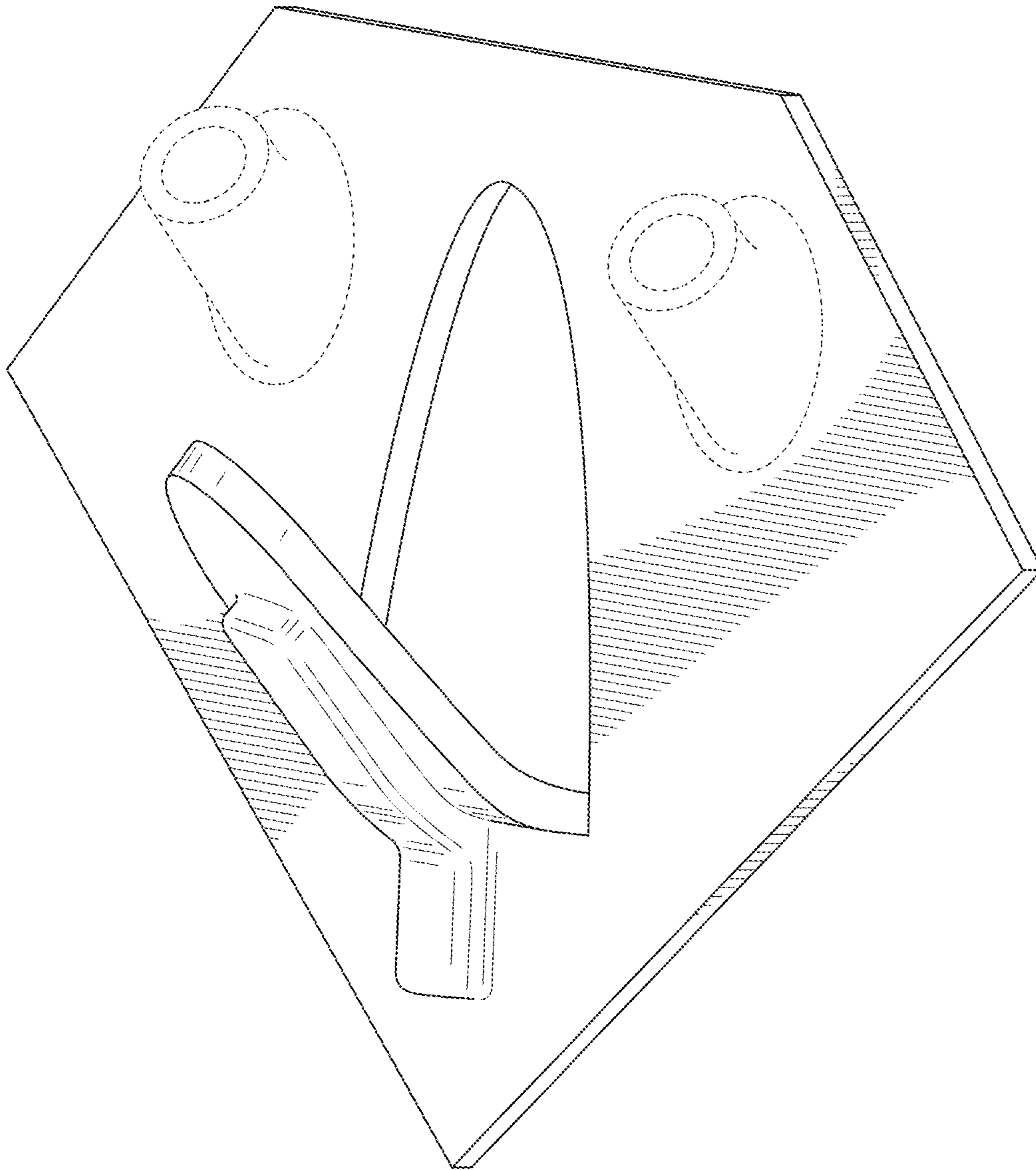


FIG. 1

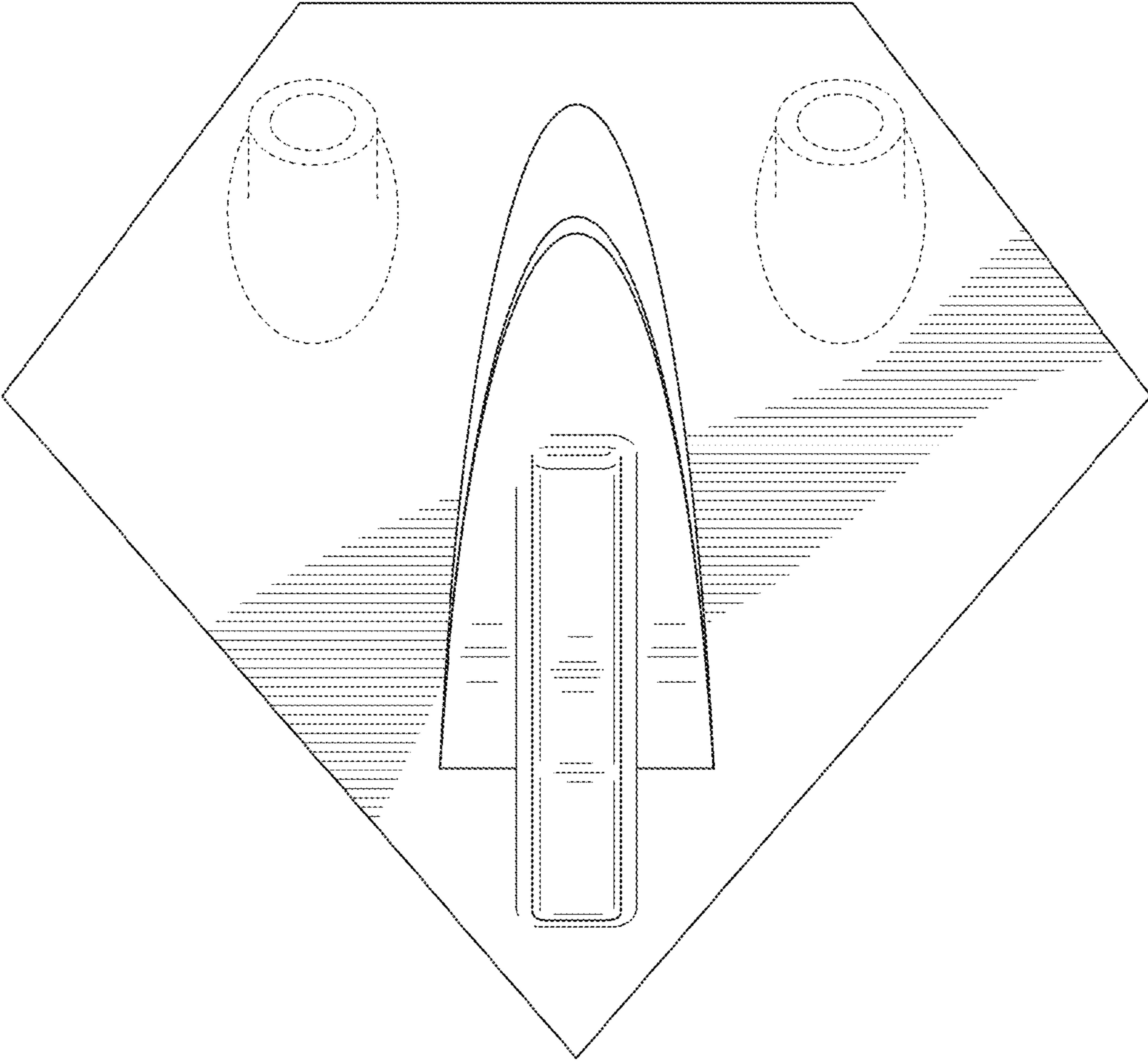


FIG. 2

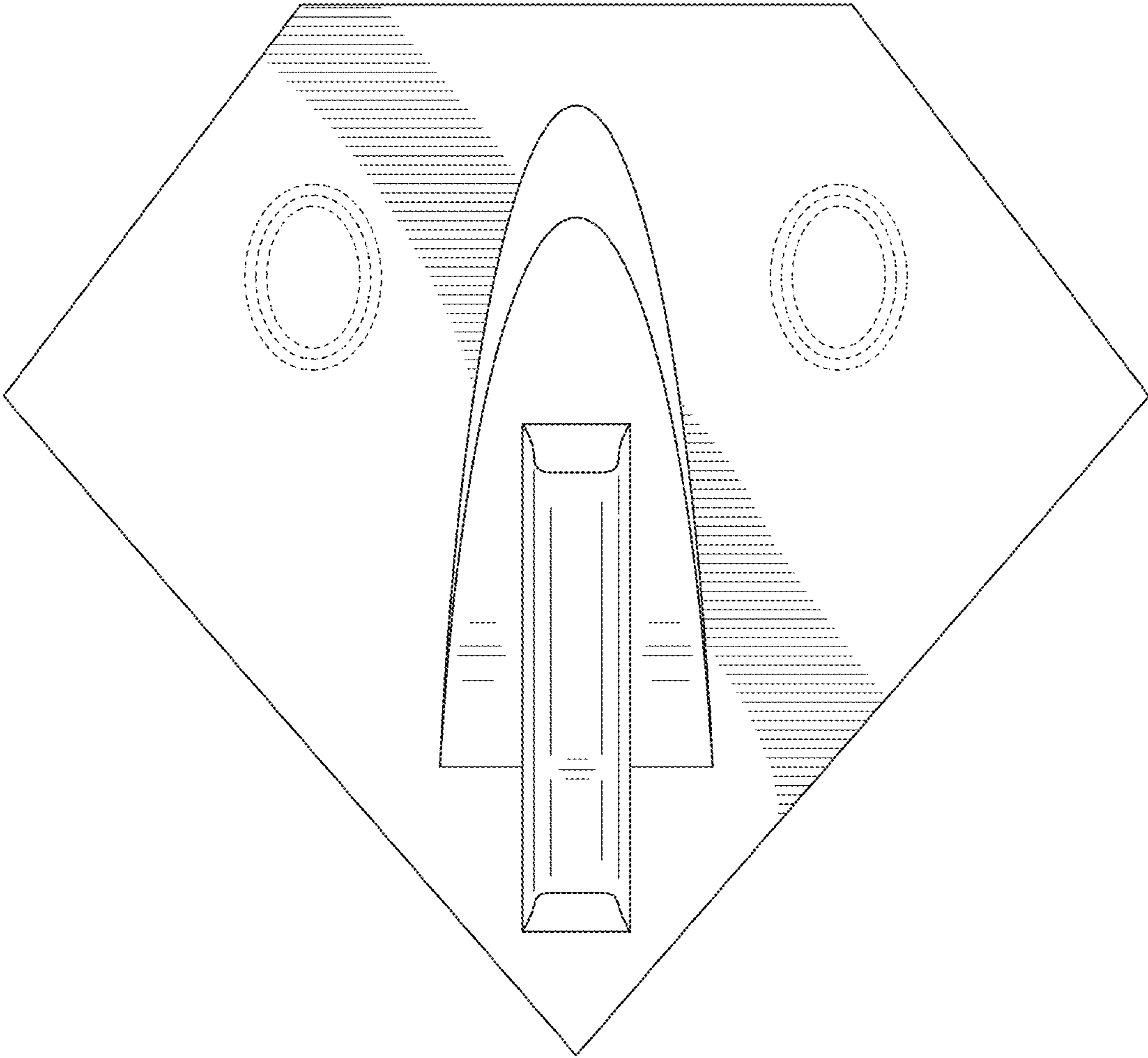


FIG. 3

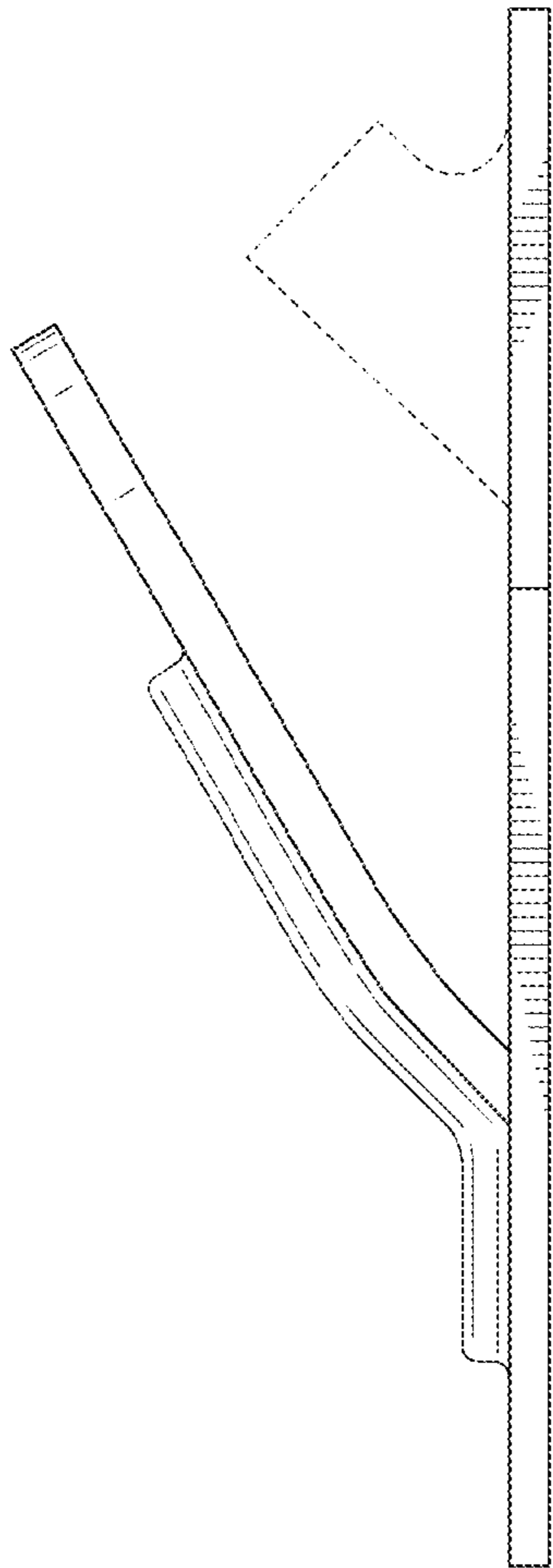


FIG. 4

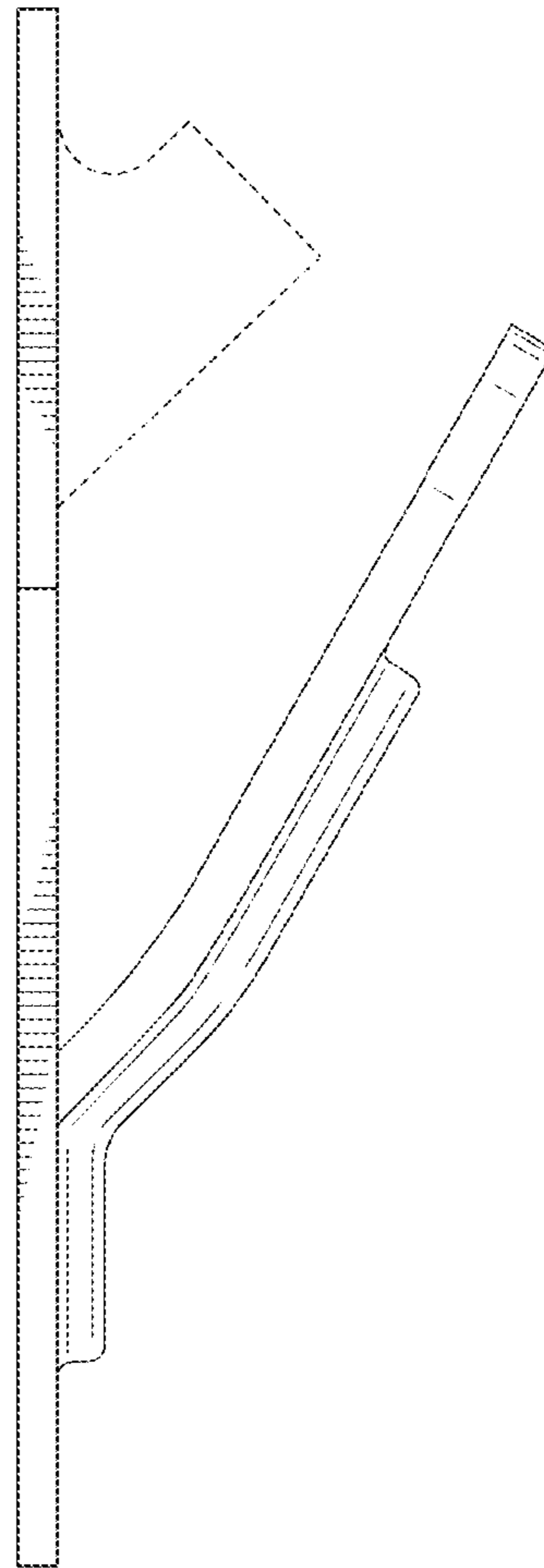


FIG. 5

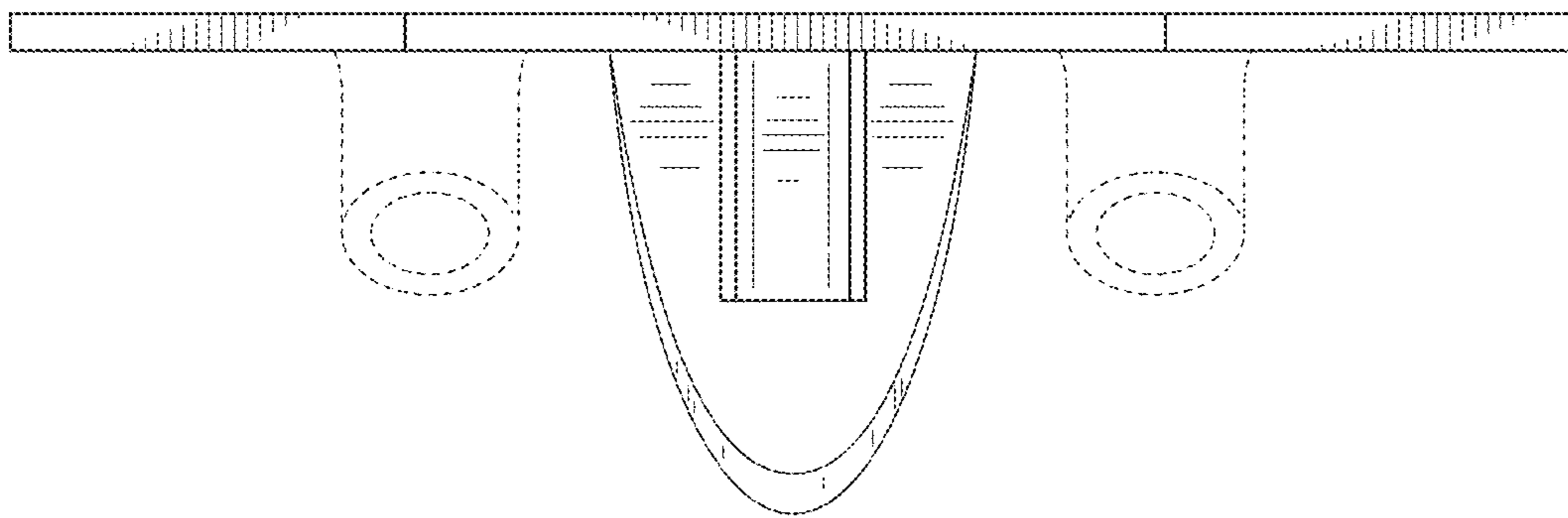


FIG. 6

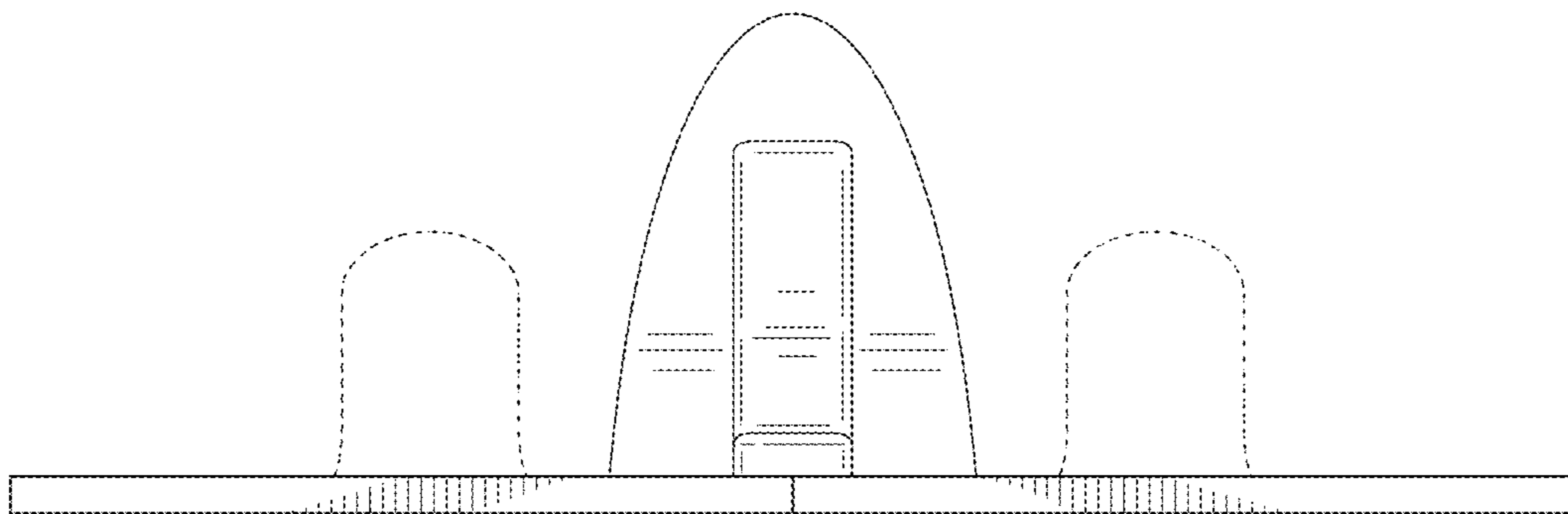


FIG. 7