



US00D773287S

(12) **United States Design Patent** (10) **Patent No.:** **US D773,287 S**  
**Lida** (45) **Date of Patent:** **\*\* Dec. 6, 2016**

(54) **DRAPE ROD SUPPORT CLASP**  
(71) Applicant: **Stephen Lida**, Miami, FL (US)  
(72) Inventor: **Stephen Lida**, Miami, FL (US)  
(\*\*) Term: **15 Years**  
(21) Appl. No.: **29/533,732**  
(22) Filed: **Jul. 21, 2015**  
(51) **LOC (10) Cl.** ..... **08-05**  
(52) **U.S. Cl.**  
USPC ..... **D8/363**  
(58) **Field of Classification Search**  
USPC ..... D8/16, 19, 349, 354, 355, 363, 364,  
D8/370-373, 376, 380, 382, 384-386;  
D6/553, 550, 323; D23/223, 238, 252,  
D23/257; D11/208; D20/15, 41, 42;  
D12/416; D25/38.1, 39, 43  
CPC ..... A47H 1/142; A47H 1/14; A47H 1/02;  
A47H 13/01; A47H 1/102; A47H 1/122;  
A47H 2023/003; A47H 13/04; A47H  
2001/006; A47H 15/00; A47H 15/02; A47H  
1/08; A47H 1/124; A47H 1/144; A47H  
2001/021; A47H 2001/042; A47H 2015/005;  
E04B 2001/405  
See application file for complete search history.

(56) **References Cited**  
U.S. PATENT DOCUMENTS  
1,329,816 A \* 2/1920 Winslow ..... F16M 1/04  
248/126  
D216,458 S \* 1/1970 Nestrock ..... D25/43  
D224,085 S \* 7/1972 Cuva ..... D13/132  
D240,681 S \* 7/1976 Granatelli ..... D6/526  
D298,915 S \* 12/1988 Rowley ..... D8/356  
D319,575 S \* 9/1991 Young ..... D26/138

D371,735 S \* 7/1996 Motta ..... D6/535  
D408,273 S \* 4/1999 Senninger ..... D8/356  
5,906,341 A \* 5/1999 Brown ..... F16L 3/227  
248/49  
D429,998 S \* 8/2000 Snell ..... D6/550  
D451,730 S \* 12/2001 Henderson ..... D6/534  
D471,434 S \* 3/2003 Read ..... D6/550  
6,536,717 B2 \* 3/2003 Parker ..... F16L 3/11  
248/346.01  
D538,634 S \* 3/2007 King ..... D8/380  
D560,483 S \* 1/2008 Mercier ..... D6/550  
D569,713 S \* 5/2008 Sandidge ..... D6/550  
D624,808 S \* 10/2010 Krawczak ..... D8/373  
D753,931 S \* 4/2016 Schultz ..... D6/524

\* cited by examiner

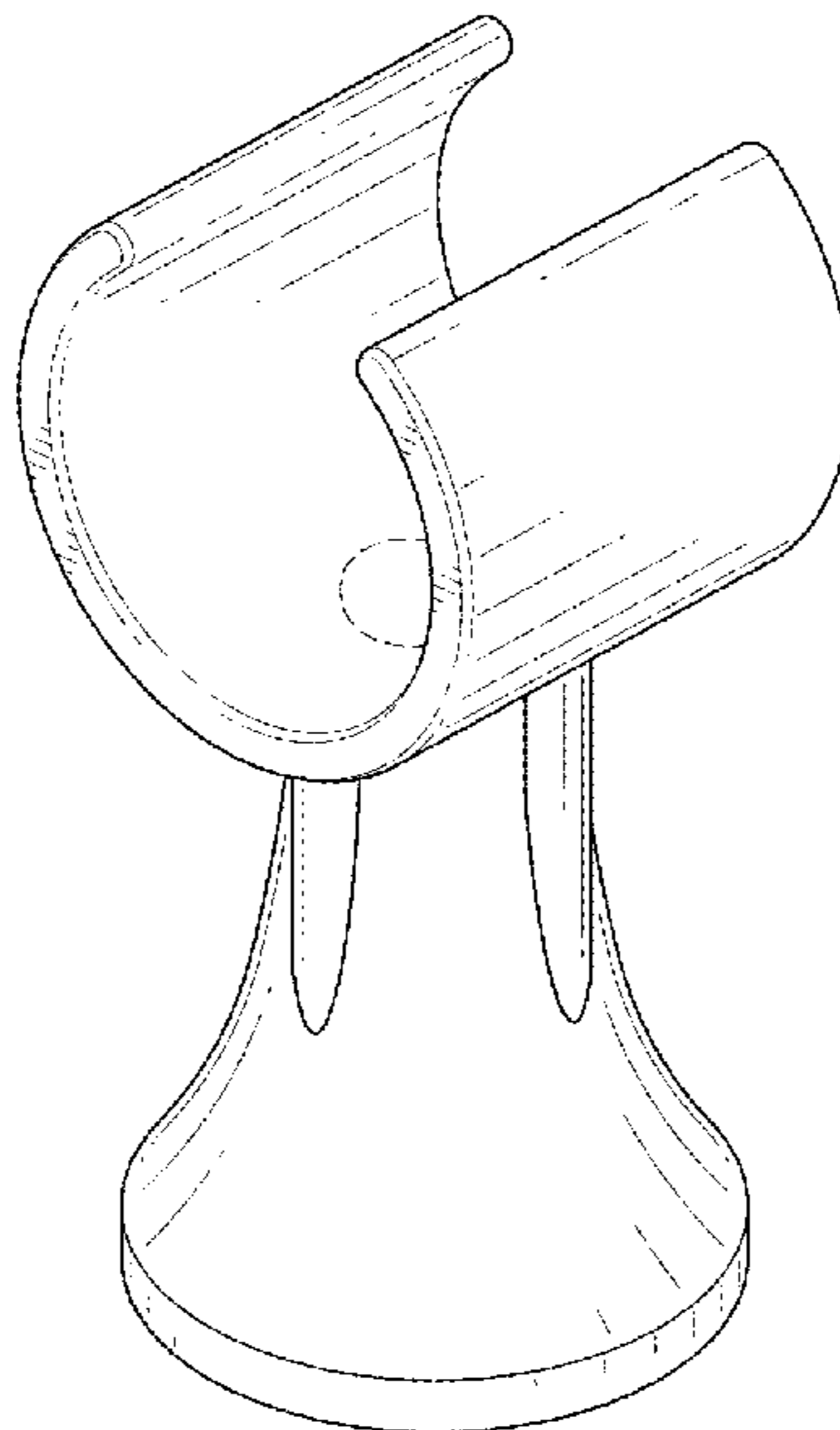
*Primary Examiner* — Robert M Spear  
*Assistant Examiner* — Eliza Bennett-Hattan  
(74) *Attorney, Agent, or Firm* — The Miller Law Offices  
PLC; Steven J. Miller, Esq.

(57) **CLAIM**  
The ornamental design for a drape rod support clasp, as  
shown and described.

**DESCRIPTION**

FIG. 1 is an exploded perspective view of the components  
of the drape rod support clasp;  
FIG. 2 is the front elevation view thereof;  
FIG. 3 is the rear elevation view thereof;  
FIG. 4 is a the right side elevation view thereof;  
FIG. 5 is a the left side elevation view thereof;  
FIG. 6 is a top plan view thereof;  
FIG. 7 is a bottom plan view thereof; and,  
FIG. 8 is a perspective view of the drape rod support clasp  
in use.  
The broken lines in the drawing depict environmental sub-  
ject matter only and form no part of the claimed design.

**1 Claim, 5 Drawing Sheets**



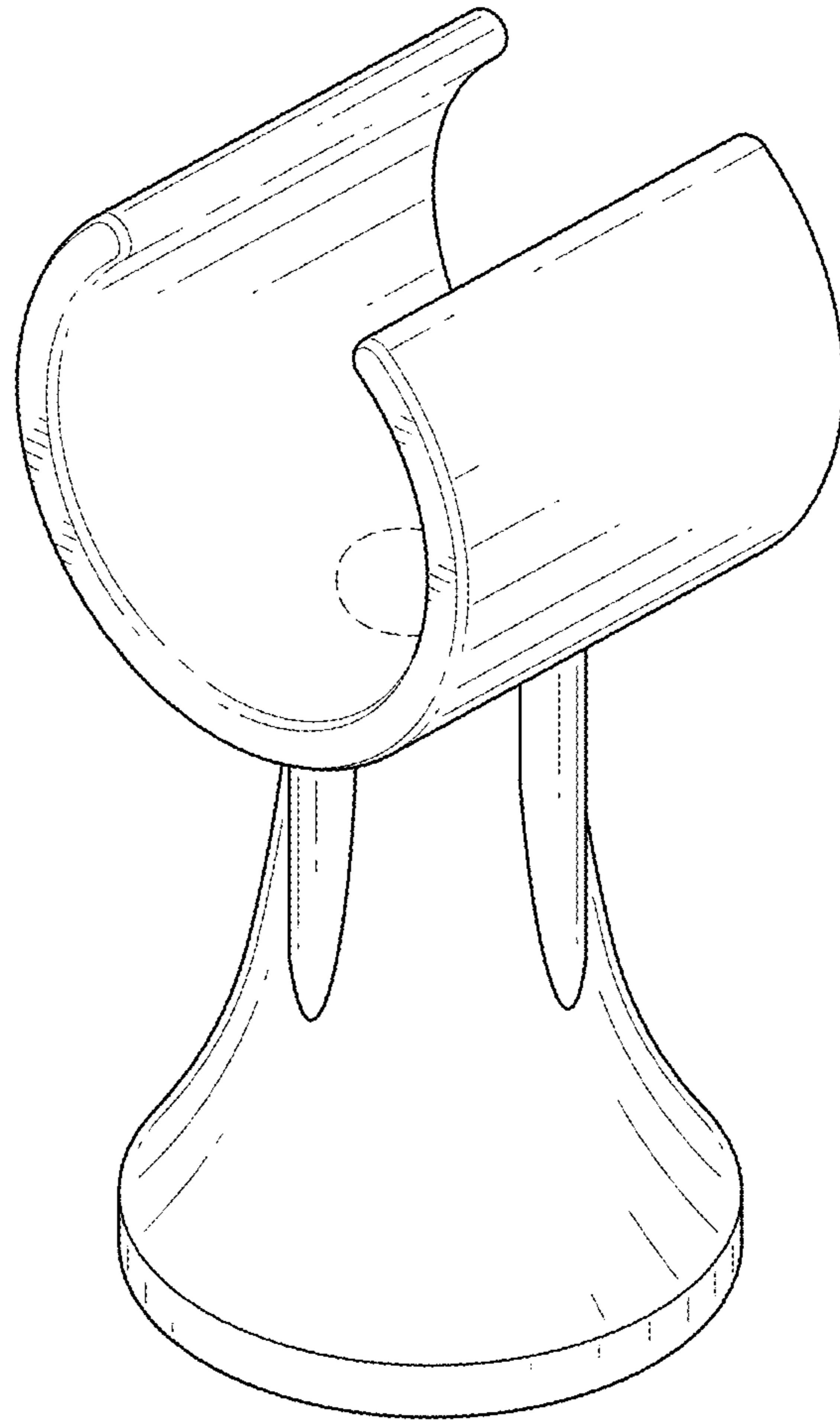


FIG. 1

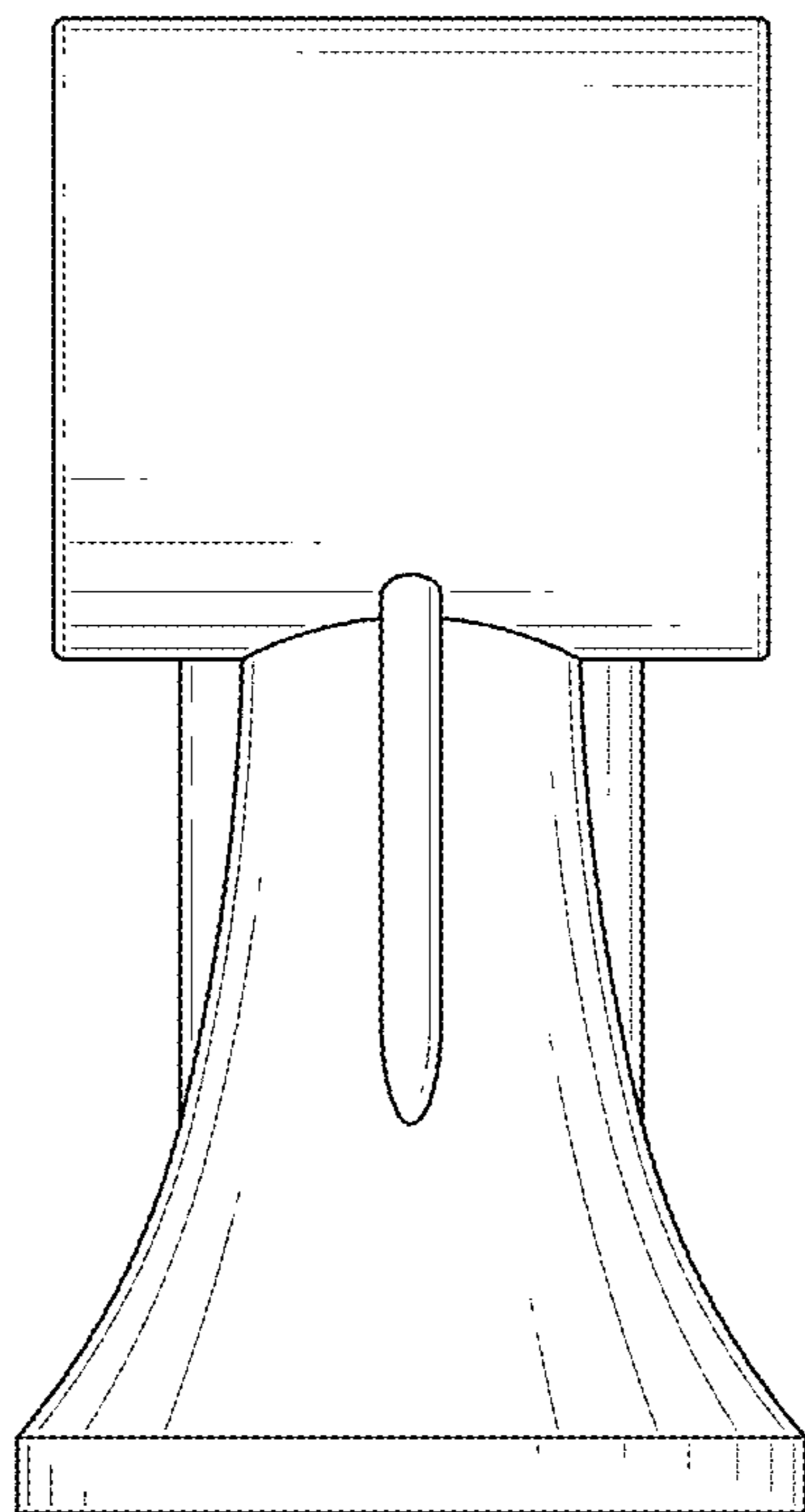


FIG. 2

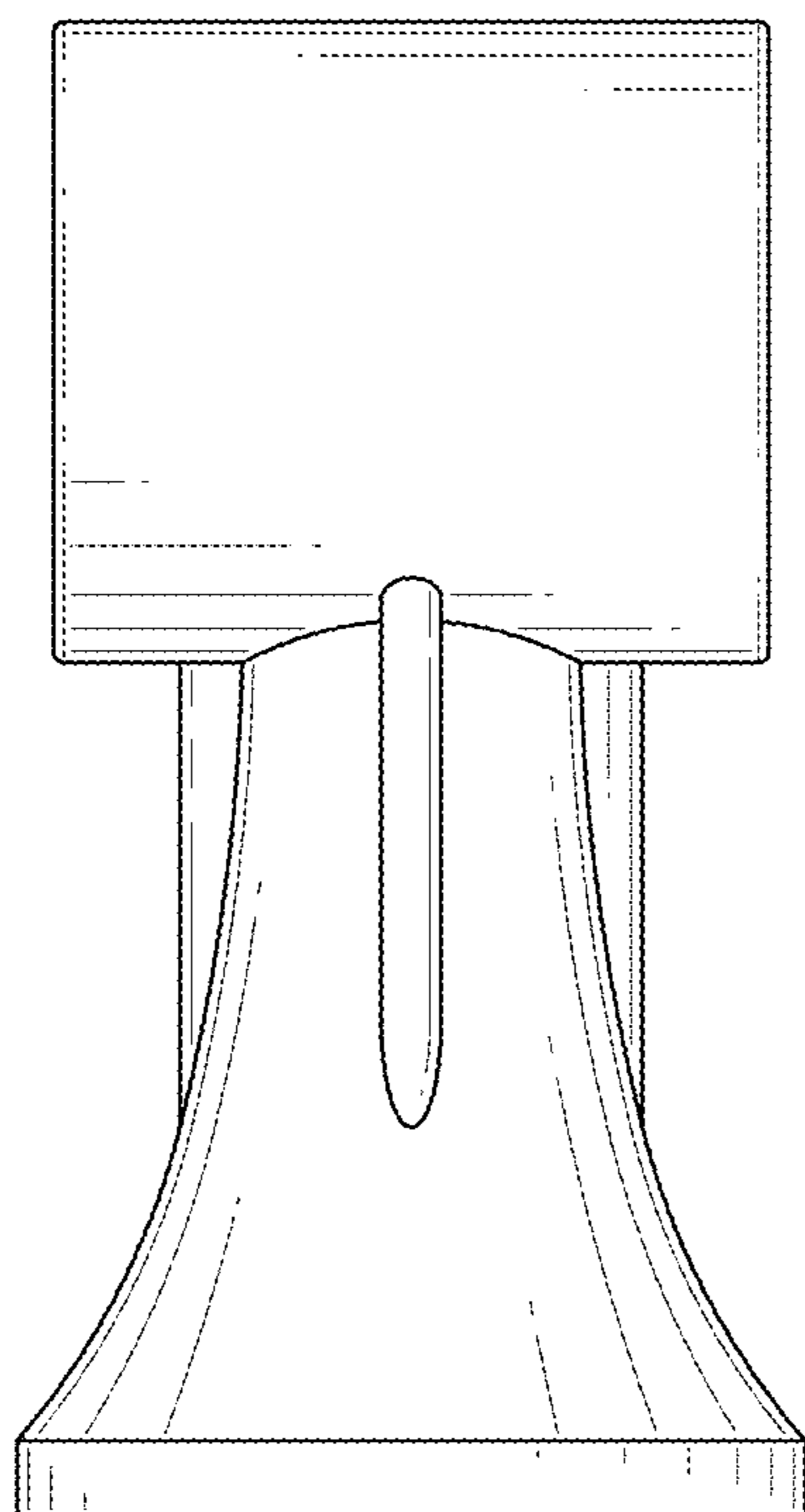


FIG. 3

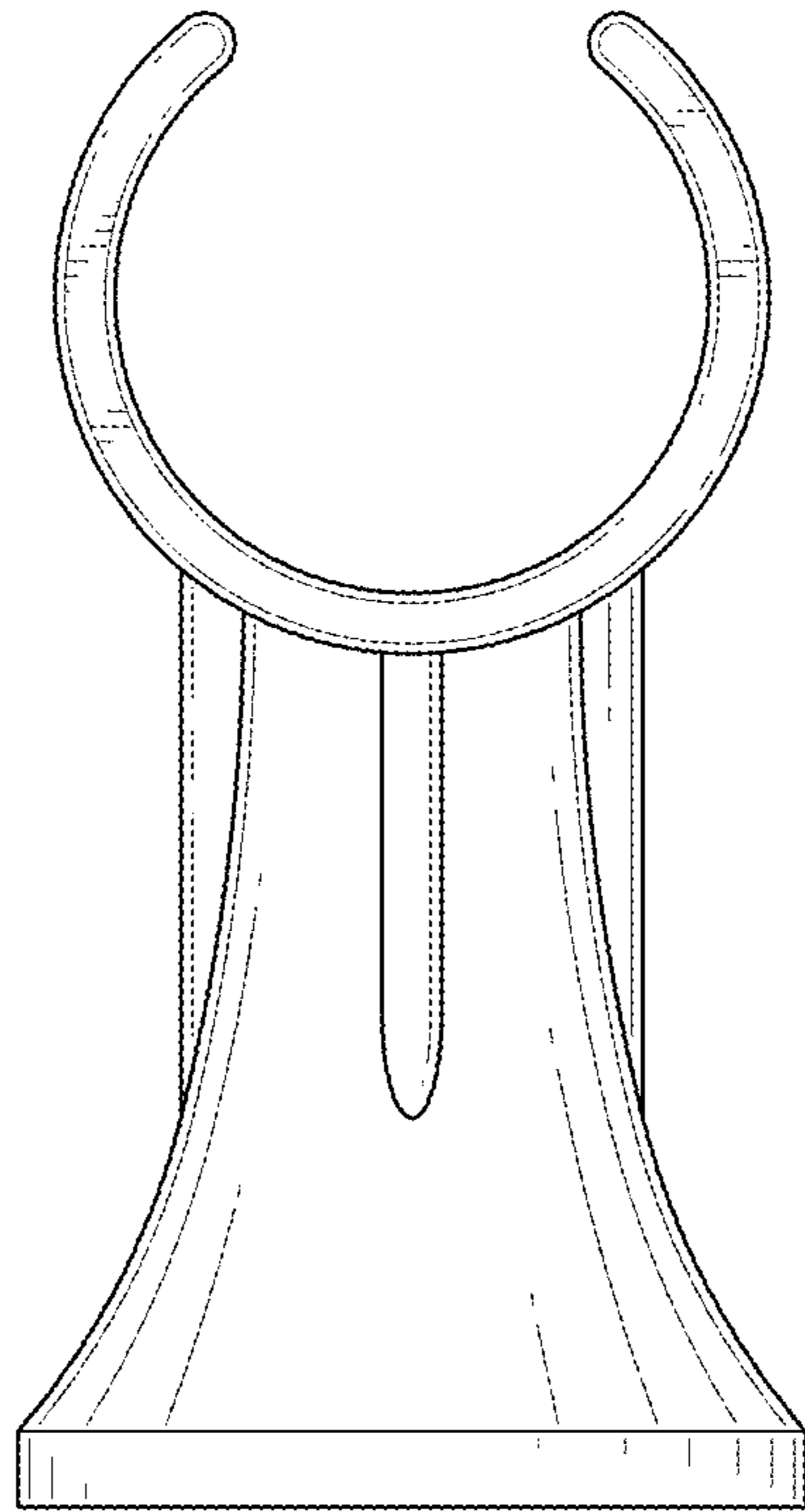


FIG. 4

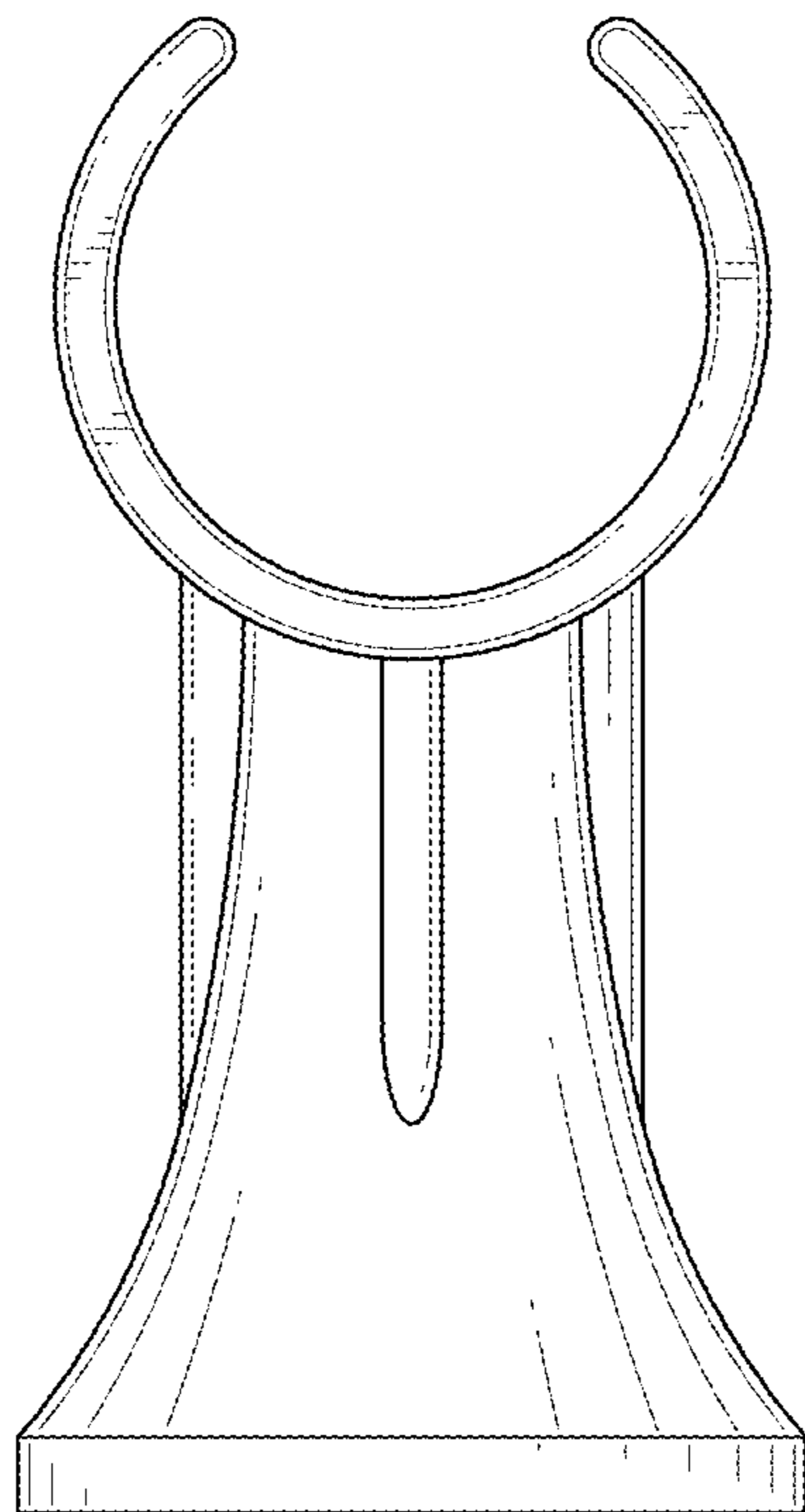


FIG. 5

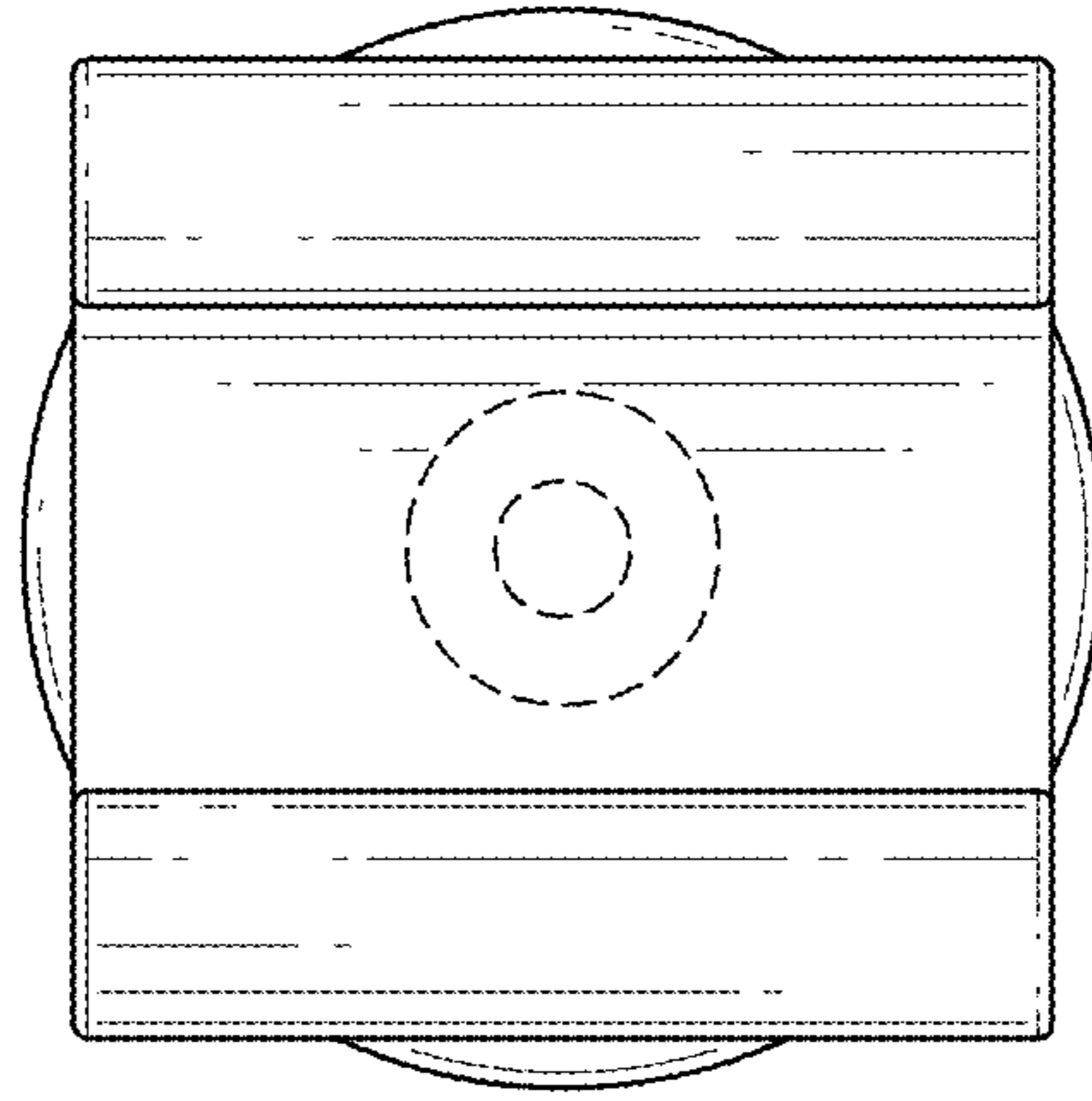


FIG. 6

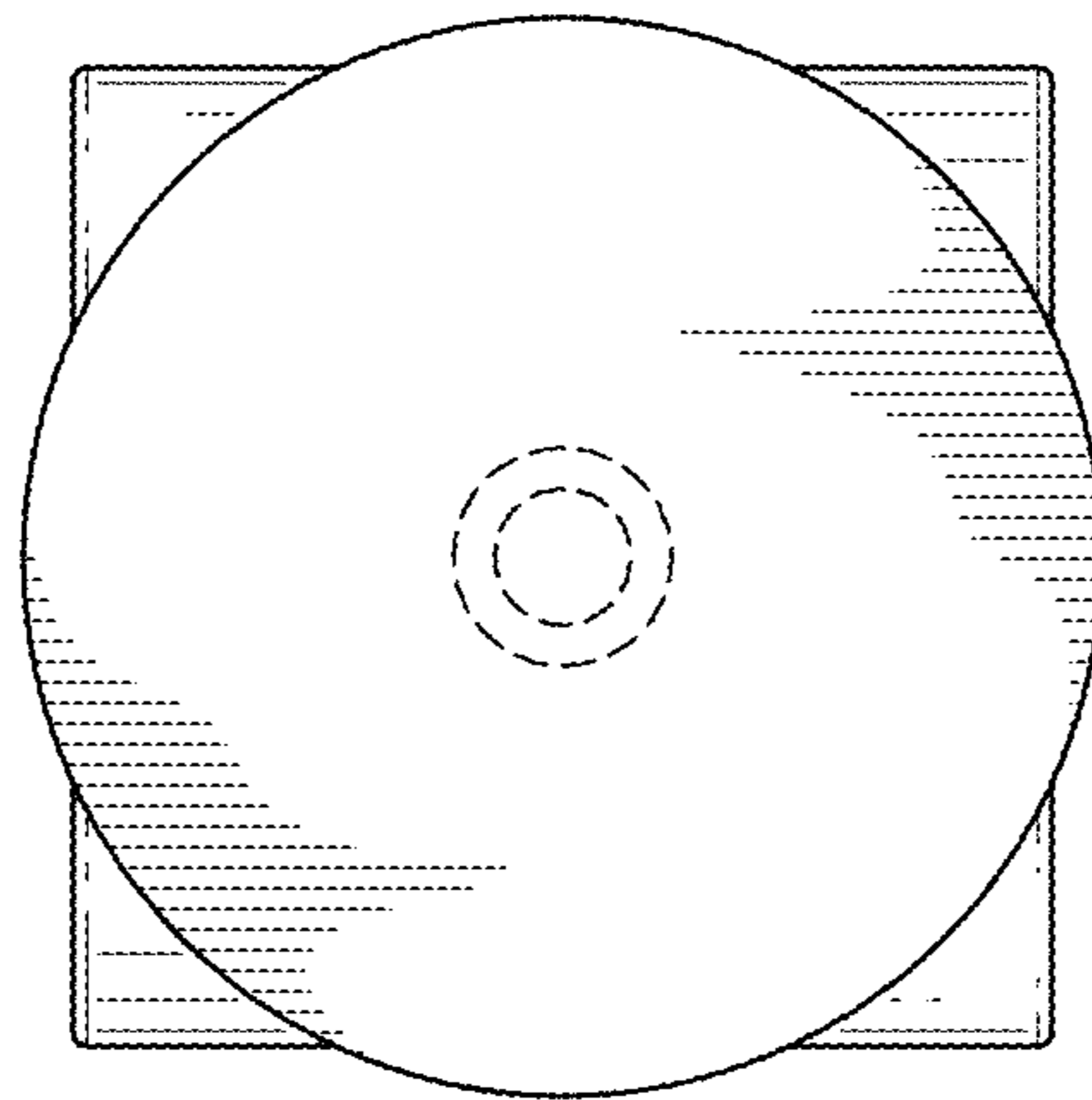


FIG. 7

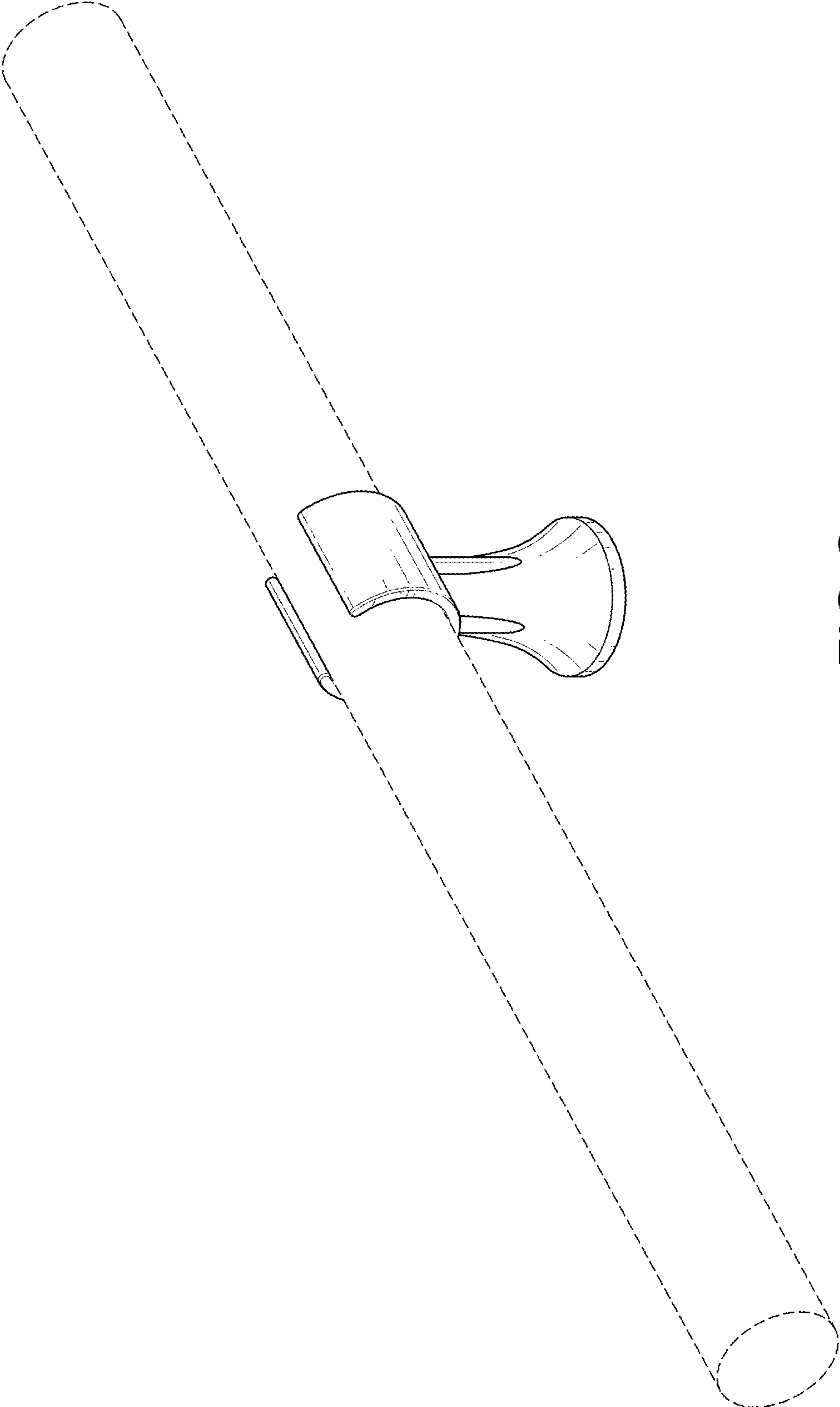


FIG. 8