



US00D773286S

(12) **United States Design Patent** (10) **Patent No.:** **US D773,286 S**  
**Moses et al.** (45) **Date of Patent:** **\*\* Dec. 6, 2016**

(54) **RAIL BRACKET**  
(71) Applicant: **Tags4all Global Inc.**  
(72) Inventors: **John M. Moses**, Mitchell (CA); **Jamie Beaumont**, Mitchell (CA)  
(73) Assignee: **Tags4all Global Inc.**, Mitchell, CA (US)  
(\*\*) Term: **14 Years**  
(21) Appl. No.: **29/510,348**  
(22) Filed: **Nov. 26, 2014**

(51) **LOC (10) Cl.** ..... **08-05**  
(52) **U.S. Cl.**  
USPC ..... **D8/363**

(58) **Field of Classification Search**  
USPC ..... D8/16, 19, 349, 354, 355, 363, 364, D8/370-373, 376, 380, 382, 384-386; D6/553, D6/550, 323; D23/223, 238, 252, D23/257; D11/208; D20/15, 41, 42; D12/416; D25/38.1, 39, 43  
CPC ..... A01K 1/0613; A01K 1/12; A01K 1/126; A01K 1/0011; A01K 1/0017; A01K 3/00; A01K 1/0023; A01K 1/00; A01K 1/0209; A01K 11/006; A01K 1/0082; A01K 29/00; A01K 13/00; A01K 1/0005; A01K 1/0094; A01K 1/0272; A01K 1/034; A01K 1/123; A01K 29/005; A01K 13/001; A01K 13/004; A01K 15/00; A01K 15/027; A01K 15/028; A01K 15/04; A01K 1/0029; A01K 1/0035; A01K 1/0047; A01K 1/0088; A01K 1/02; A01K 1/0218; A01K 1/0245; A01K 1/03; A01K 1/031; A01K 1/035; A01K 31/06; A01K 3/005; A61D 3/00; E05D 7/009; E05Y 2900/132  
See application file for complete search history.

(56) **References Cited**  
U.S. PATENT DOCUMENTS

D196,291 S \* 9/1963 McCarthy ..... D8/373

D199,518 S \* 11/1964 Sanders ..... D8/373  
D255,323 S \* 6/1980 Palmroth ..... D8/373  
D258,115 S \* 2/1981 Piatek ..... 248/317

(Continued)

**FOREIGN PATENT DOCUMENTS**

CA 2106027 A1 3/1994  
CA 2216688 A1 3/1998  
WO 9733465 9/1997  
WO 2014005592 A1 1/2014

**OTHER PUBLICATIONS**

Cow-Welfare, Flexible Feed Fence. Product brochure distributed by iBarn.

(Continued)

*Primary Examiner* — Robert M Spear  
*Assistant Examiner* — Eliza Bennett-Hattan  
(74) *Attorney, Agent, or Firm* — Brunet & Co. Ltd.; Robert A.H. Brunet

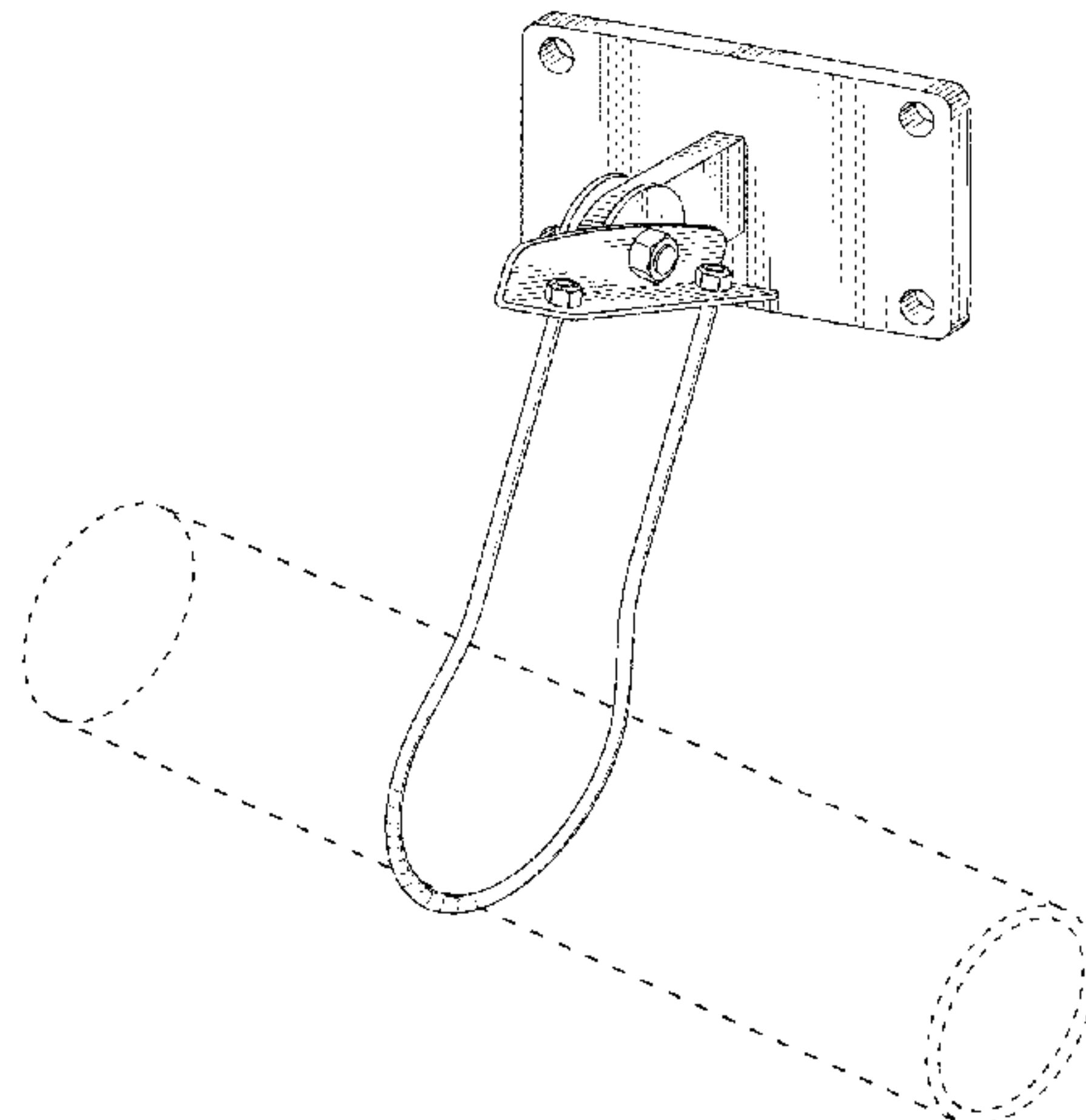
(57) **CLAIM**

We claim the ornamental design for a rail bracket, as shown and described.

**DESCRIPTION**

FIG. 1 is a perspective view of the rail bracket;  
FIG. 2 is a side view thereof;  
FIG. 3 is an opposite side view thereof;  
FIG. 4 is a front view thereof;  
FIG. 5 is a rear view thereof;  
FIG. 6 is a bottom view thereof;  
FIG. 7 is a top view thereof; and,  
FIG. 8 is a perspective view of the rail bracket shown holding a rail.  
The shaded lines in the Figures show contour and not surface ornamentation.  
The broken lines in the drawing depict environmental subject matter only and form no part of the claimed design.

**1 Claim, 5 Drawing Sheets**



(56)

**References Cited**

U.S. PATENT DOCUMENTS

|              |      |         |                  |              |
|--------------|------|---------|------------------|--------------|
| 5,054,430    | A    | 10/1991 | Weelink          |              |
| 5,303,673    | A    | 4/1994  | Weelink          |              |
| 5,433,172    | A    | 7/1995  | Weelink          |              |
| D371,063     | S *  | 6/1996  | Barkan .....     | D6/567       |
| D383,665     | S *  | 9/1997  | Vissers .....    | D8/363       |
| 6,026,766    | A *  | 2/2000  | Albers, Jr. .... | A01K 1/0011  |
|              |      |         |                  | 119/520      |
| 7,086,351    | B1 * | 8/2006  | Michalek .....   | E05B 65/0007 |
|              |      |         |                  | 119/524      |
| 8,579,539    | B2 * | 11/2013 | Finn .....       | A01K 1/0011  |
|              |      |         |                  | 119/523      |
| D712,238     | S *  | 9/2014  | Moses .....      | D8/373       |
| 2002/0124809 | A1 * | 9/2002  | Verburg .....    | A01K 1/0082  |
|              |      |         |                  | 119/516      |
| 2005/0072371 | A1 * | 4/2005  | Moreau .....     | A01K 1/0011  |
|              |      |         |                  | 119/516      |
| 2009/0188436 | A1 * | 7/2009  | Moreau .....     | A01K 1/00    |
|              |      |         |                  | 119/523      |

OTHER PUBLICATIONS

Mike Gamroth and Sandy Stokes, Frestall Housing or Not. Western Dairy Management Conference Apr. 8-10, 1999, Las Vegas, Nevada.

TAGS4ALL Global Inc., Greenfreestall: An Innovative Approach to Free Stall for Dairy Farms. Jun. 25, 2014.

DeLaval Canada. Twitter feed [pic.twitter.com/Ugn8mfyJ0M](https://pic.twitter.com/Ugn8mfyJ0M) related to Greenfreestall. Sep. 5, 2014.

\* cited by examiner

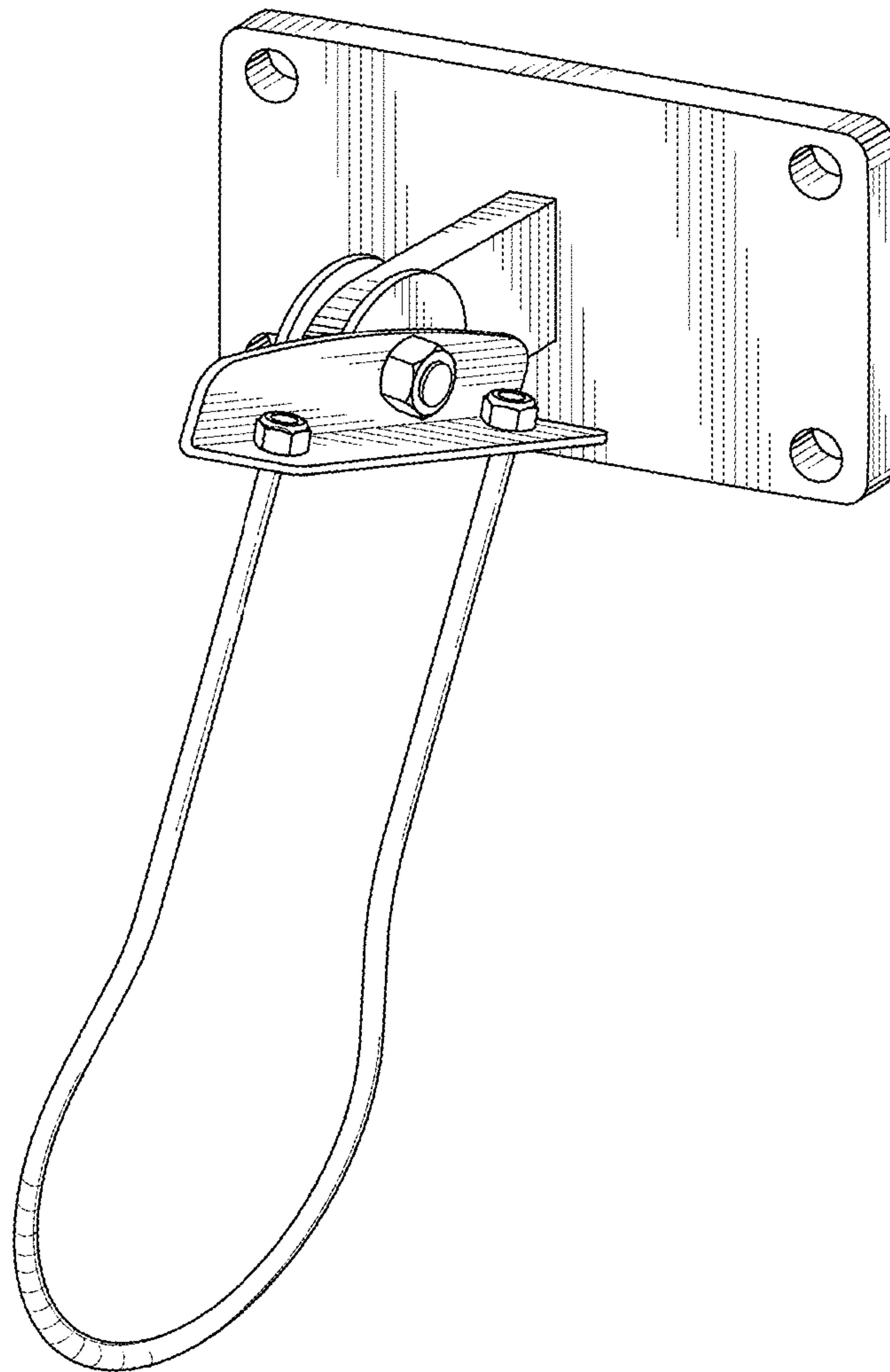


FIG. 1

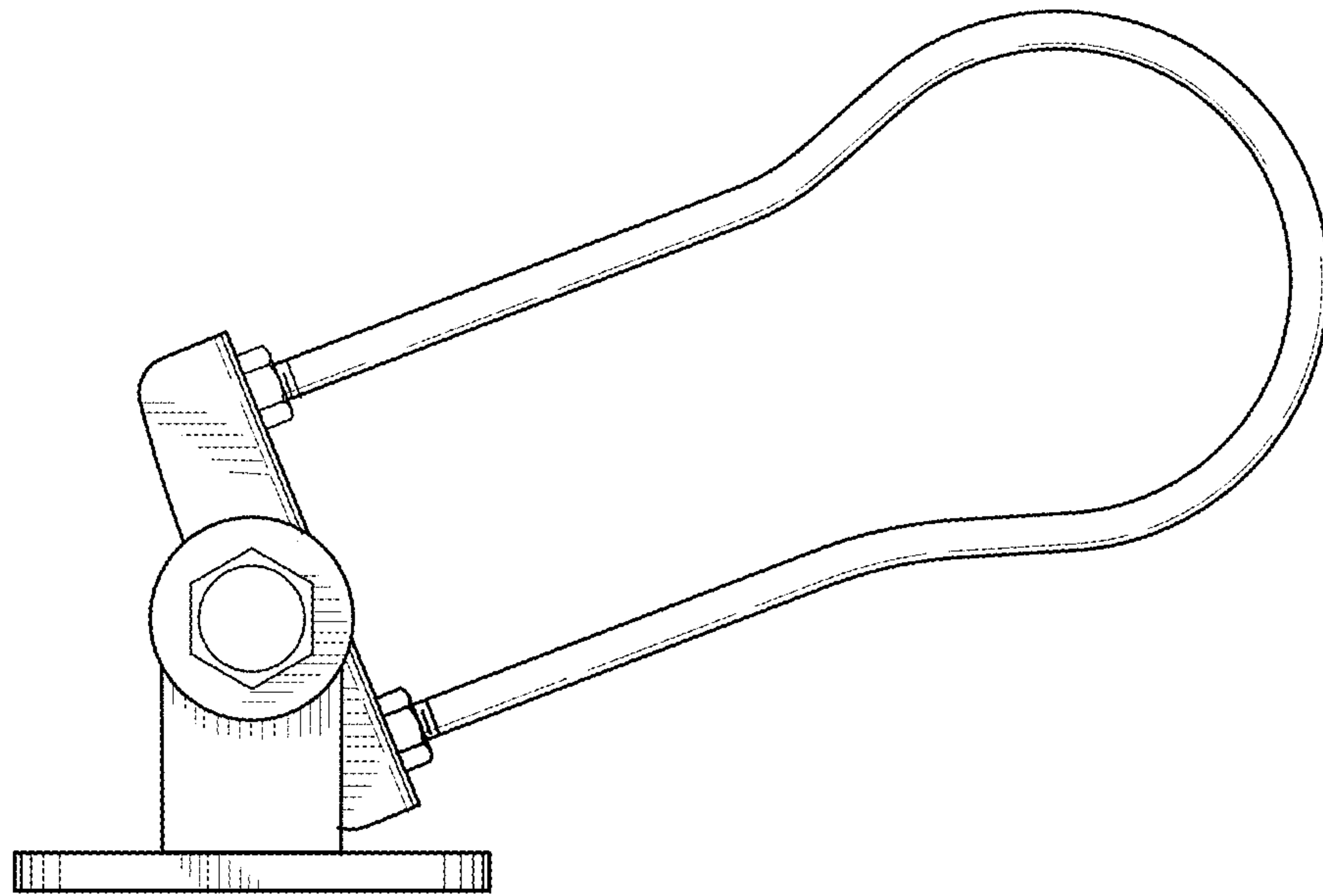


FIG. 2

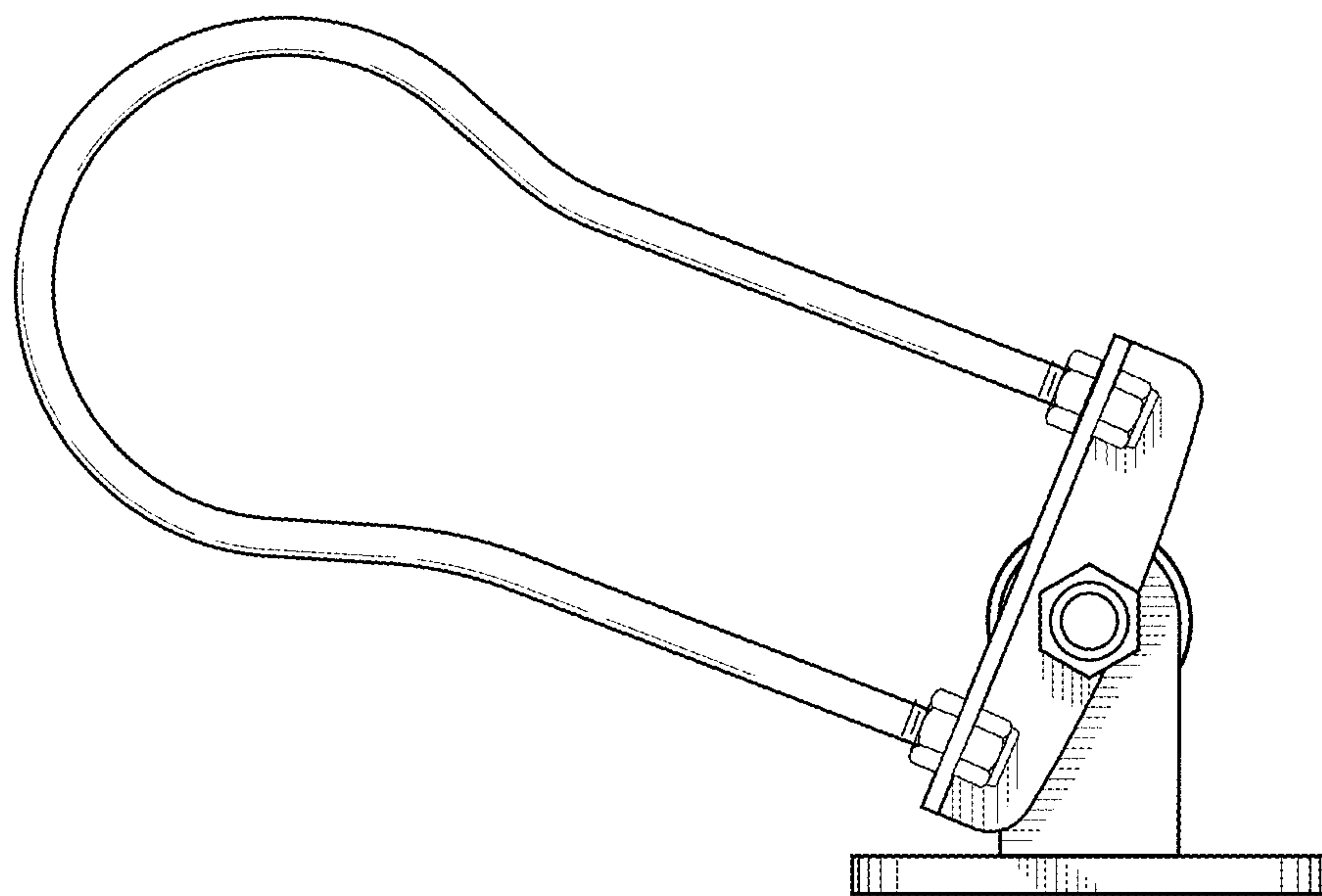


FIG. 3

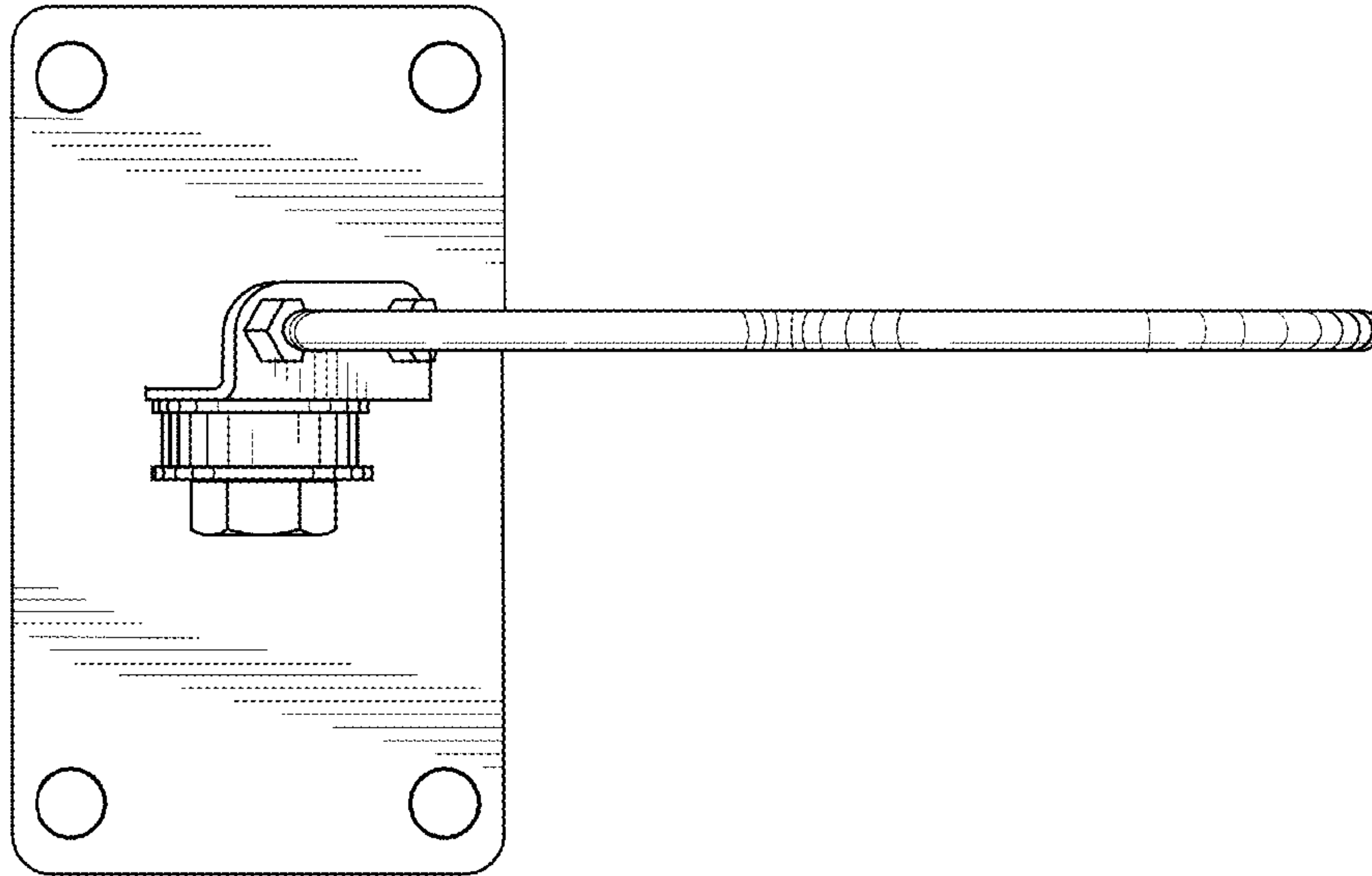


FIG. 4

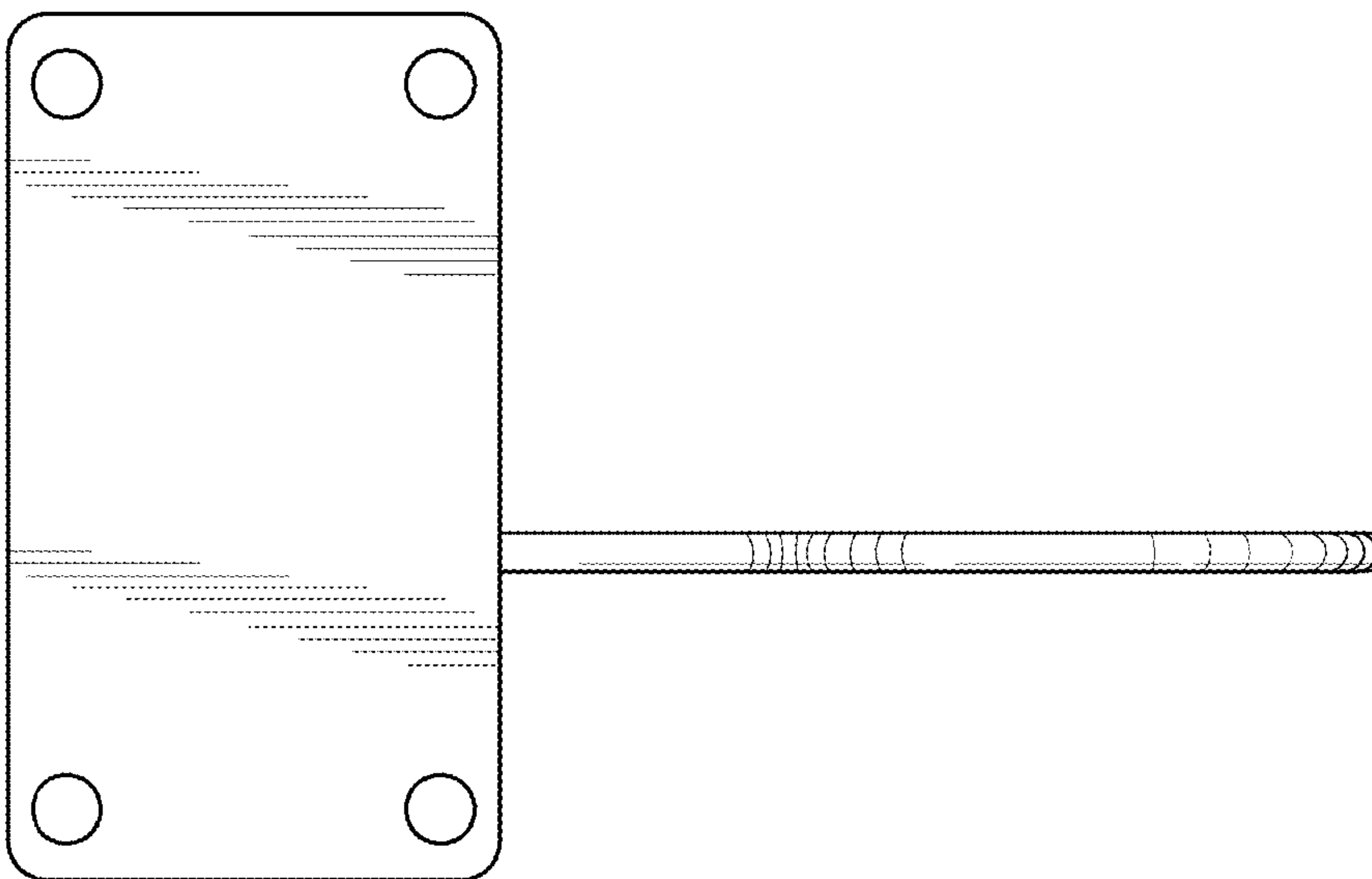


FIG. 5

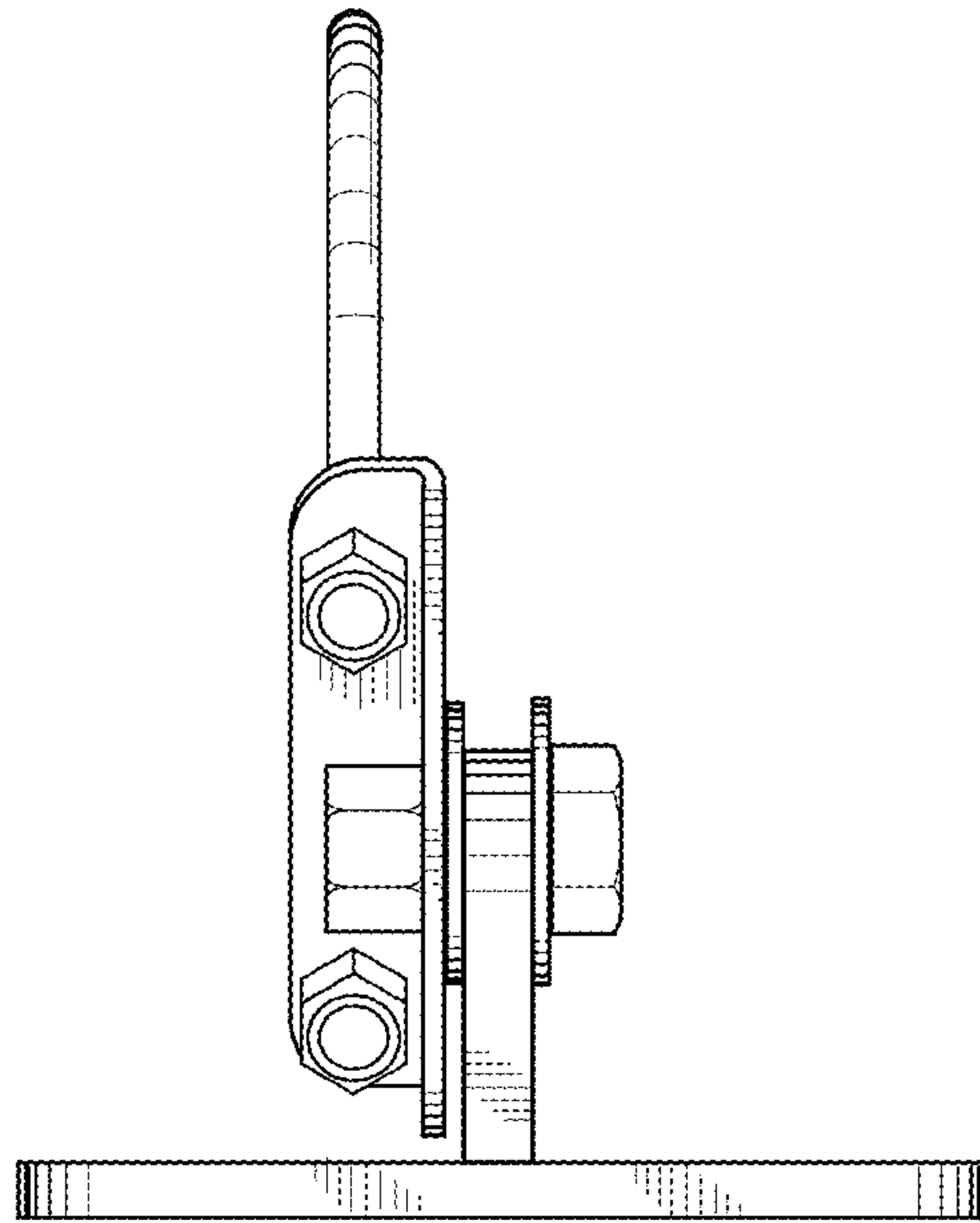


FIG. 6

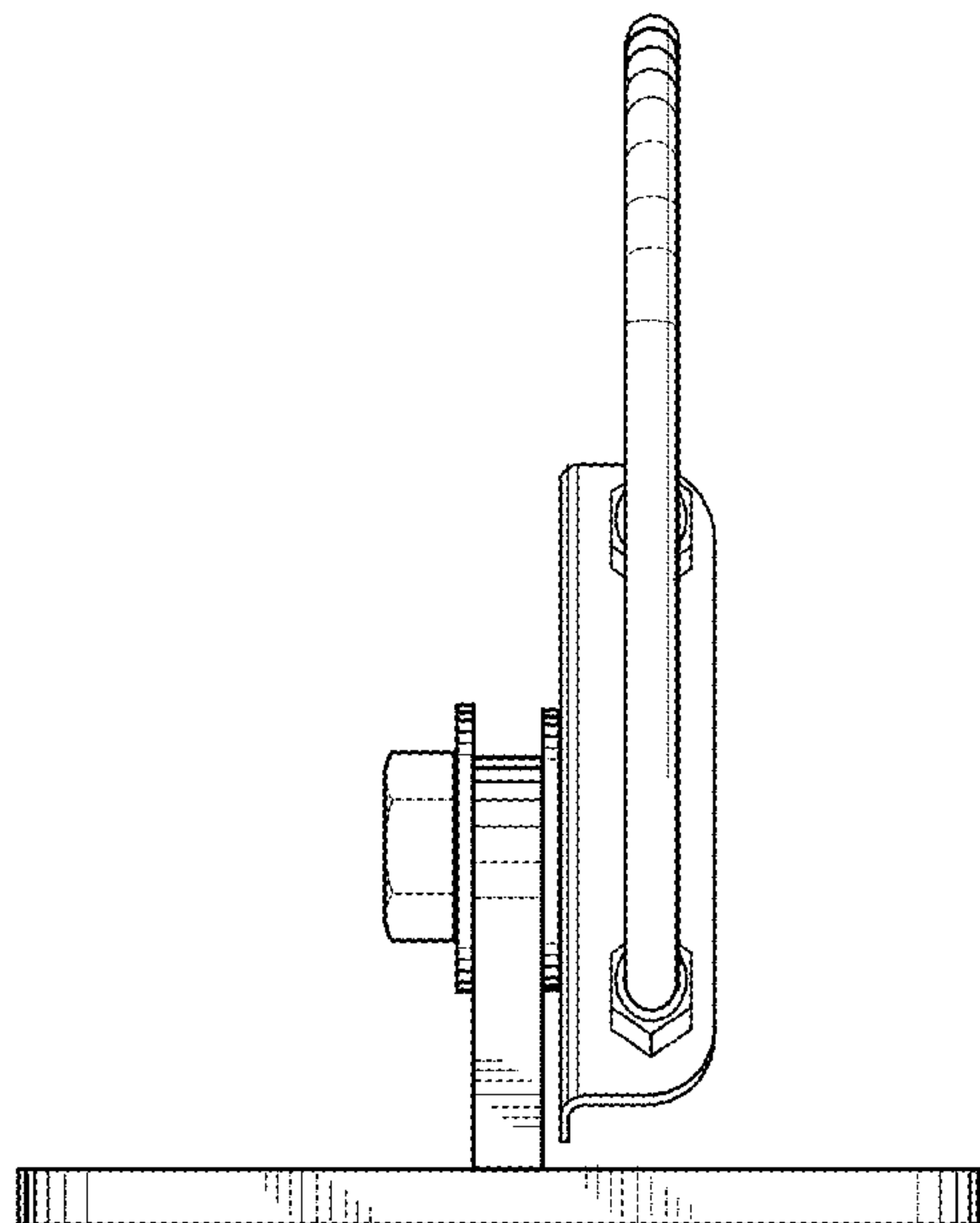


FIG. 7



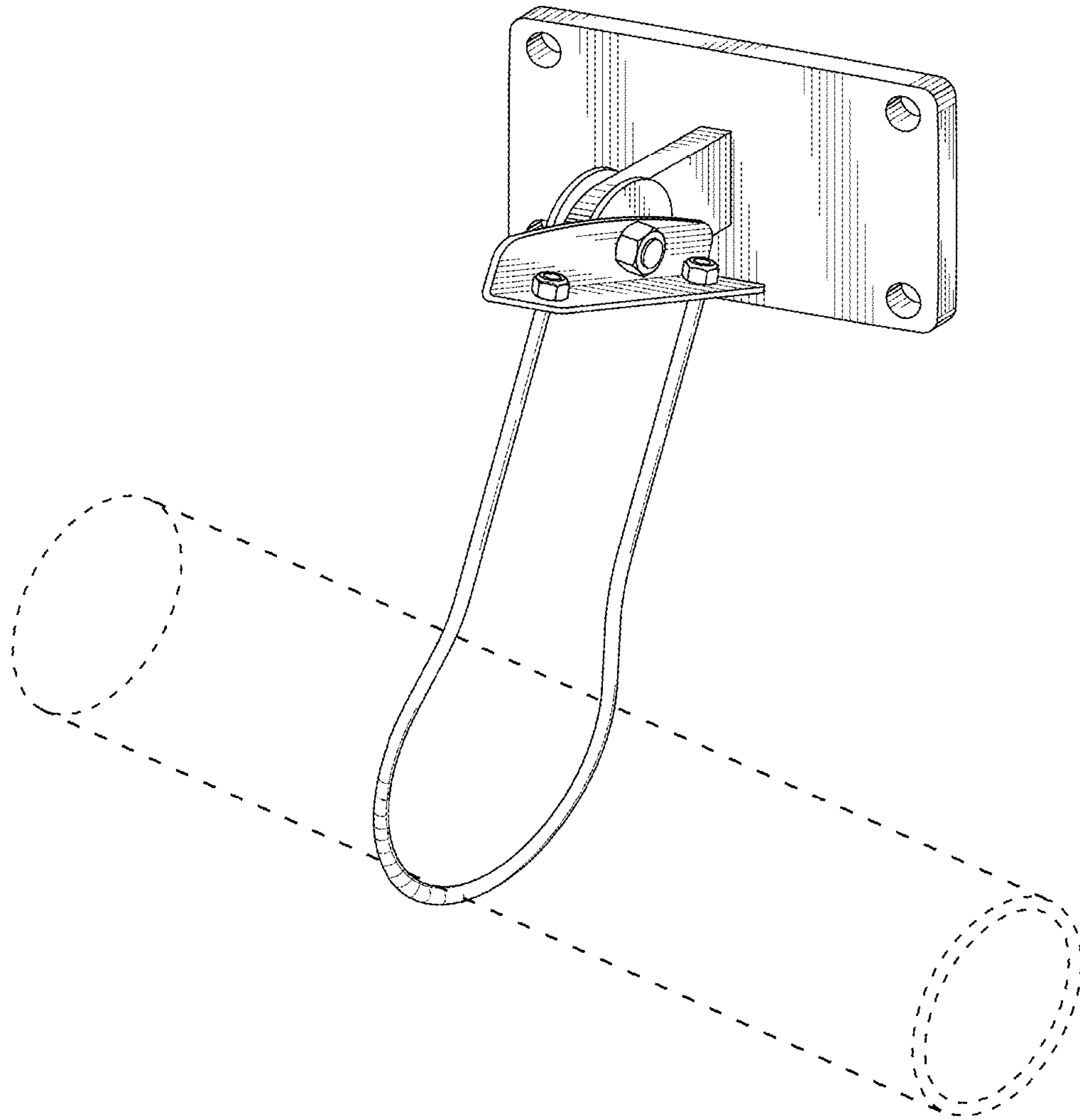


FIG.8