



US00D773284S

(12) **United States Design Patent**
Lau

(10) **Patent No.:** **US D773,284 S**

(45) **Date of Patent:** **** Dec. 6, 2016**

(54) **ADJUSTABLE TRACK**

(71) Applicant: **Jason Lau**, Cumberland, RI (US)

(72) Inventor: **Jason Lau**, Cumberland, RI (US)

(**) Term: **14 Years**

(21) Appl. No.: **29/522,852**

(22) Filed: **Apr. 2, 2015**

(51) **LOC (10) Cl.** **08-05**

(52) **U.S. Cl.**
USPC **D8/355**

(58) **Field of Classification Search**
USPC D8/355
CPC A47F 5/00; E04G 17/14; E04G 25/06
See application file for complete search history.

(56) **References Cited**

U.S. PATENT DOCUMENTS

1,787,858	A *	1/1931	Gray	E04G 25/06 254/98
D195,132	S *	4/1963	Kore	D8/355
D221,459	S *	8/1971	Wolf et al.	D8/1
5,085,398	A *	2/1992	Holcomb	E04G 17/18 249/211
D370,404	S *	6/1996	Baird	D8/355
6,419,434	B1 *	7/2002	Rahn	B60P 7/15 410/143
7,275,731	B1 *	10/2007	Shinault	E04G 25/06 248/354.5
7,481,408	B1 *	1/2009	Knight	E04G 25/06 248/188.5
8,052,110	B2 *	11/2011	Wang	E04G 25/06 248/354.1
8,113,479	B1 *	2/2012	O'Connell	A62B 3/00 248/351

* cited by examiner

Primary Examiner — Holly Baynham

(74) *Attorney, Agent, or Firm* — Adler Pollock & Sheehan P.C.; Daniel J. Holmader, Esq.; George N. Chaclas, Esq.

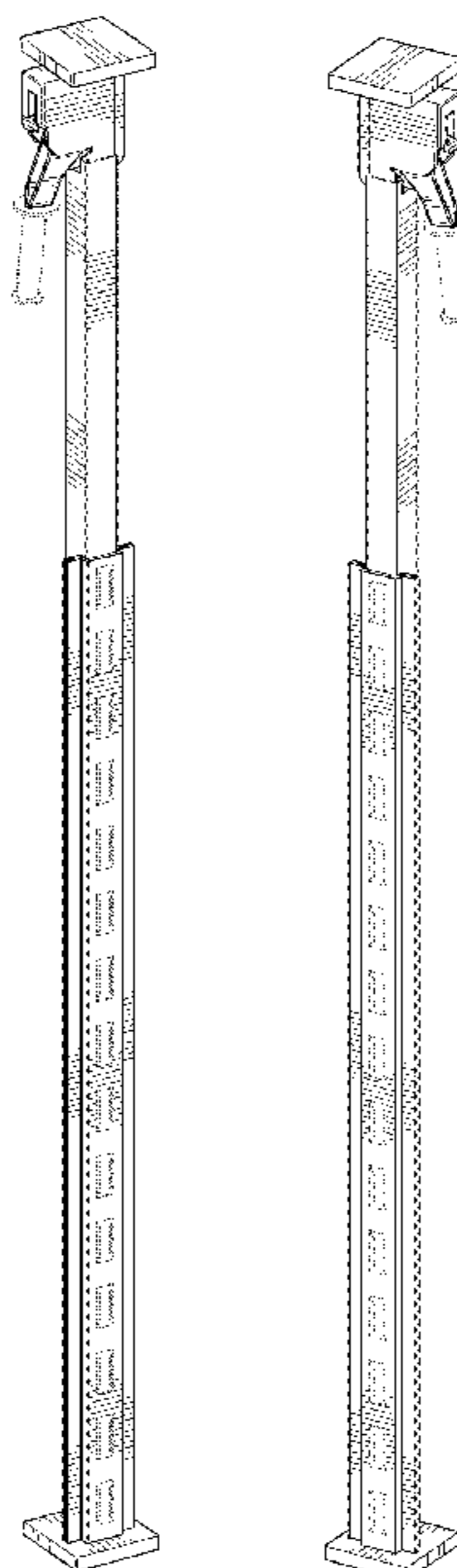
(57) **CLAIM**

The ornamental design for an adjustable track, as shown and described.

DESCRIPTION

FIG. 1 is an upper perspective view of a first embodiment of the adjustable track in accordance with the present invention;
 FIG. 2 is a front view thereof;
 FIG. 3 is a rear view thereof;
 FIG. 4 is a right view thereof;
 FIG. 5 is a left view thereof;
 FIG. 6 is a top view thereof;
 FIG. 7 is a bottom view thereof;
 FIG. 8 is an upper perspective view of a second embodiment of the adjustable track in accordance with the present invention;
 FIG. 9 is a front view of the first embodiment in an extended position;
 FIG. 10 is a front view of the second embodiment in an extended position; and,
 FIG. 11 is a reduced scale, environmental perspective view of the first embodiment.
 The undisclosed views of the second embodiment are the same as the first except for the alternate placement of the bracket with the slots.
 The broken lines showing portions of the adjustable track and the shipping container are for the purposes of illustrating environment and form no part of the claimed design.

1 Claim, 7 Drawing Sheets



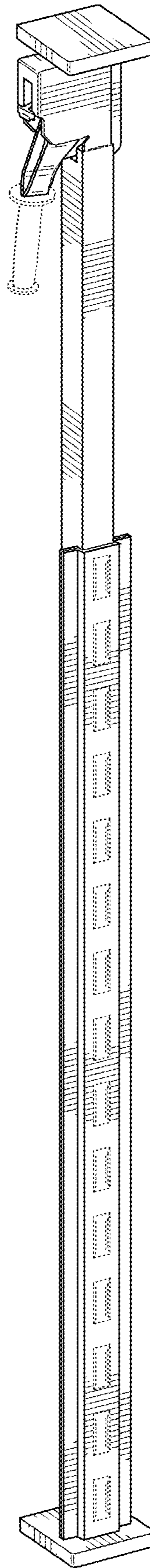


FIG. 1

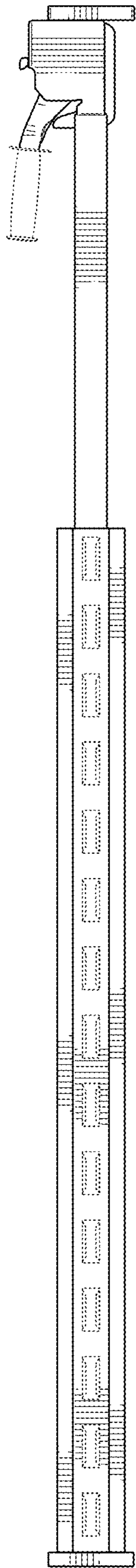


FIG. 2

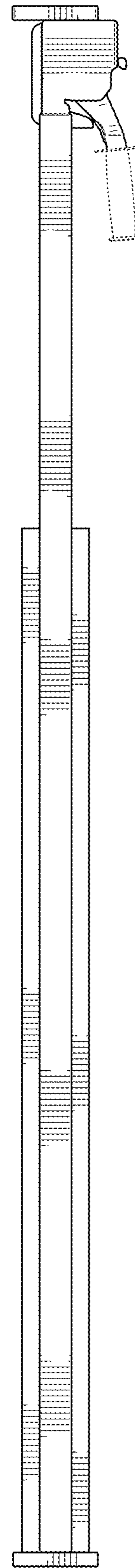


FIG. 3

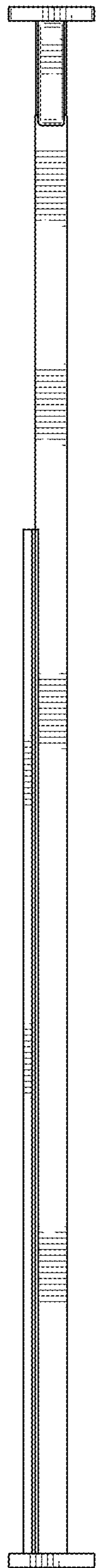


FIG. 4

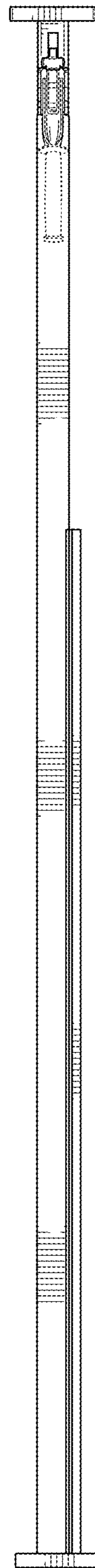


FIG. 5

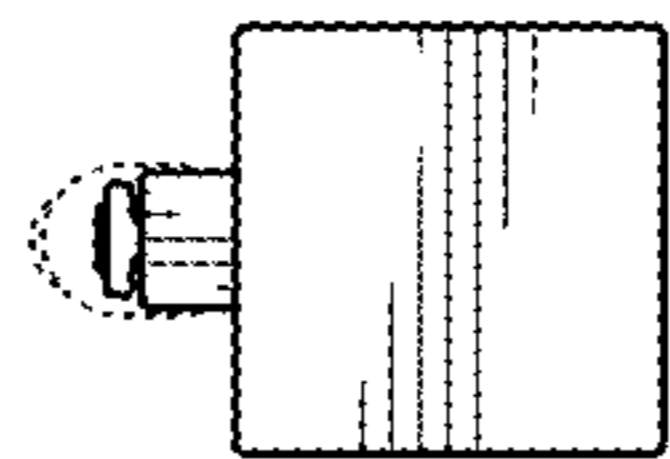


FIG. 6

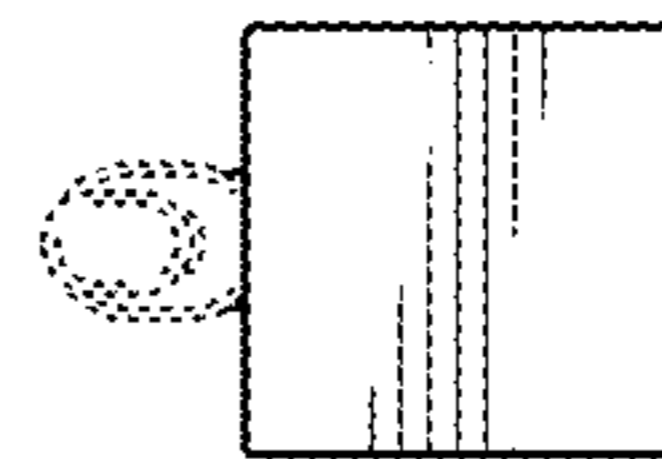


FIG. 7

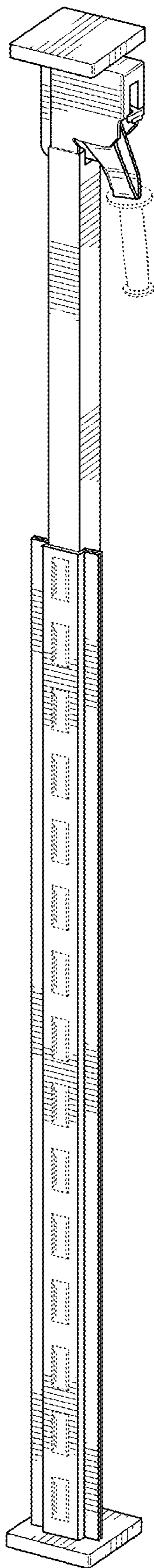


FIG. 8

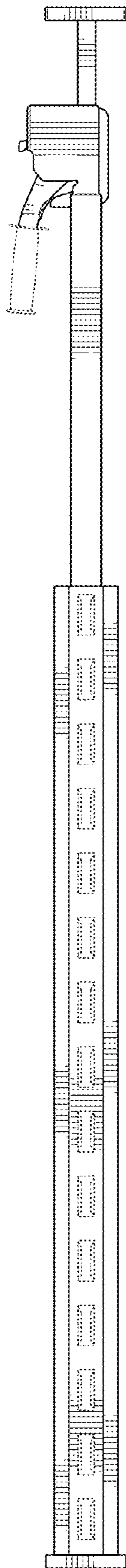


FIG. 9

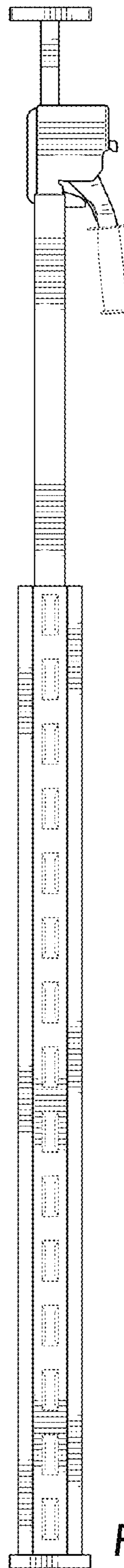


FIG. 10

