



US00D773283S

(12) **United States Design Patent**
Burge

(10) **Patent No.:** **US D773,283 S**

(45) **Date of Patent:** **** Dec. 6, 2016**

(54) **COVER FOR RECEIVING FLEXIBLE CONDUIT FROM A GARAGE DOOR SENSOR**

(71) Applicant: **Brian James Burge**, Marion, SD (US)

(72) Inventor: **Brian James Burge**, Marion, SD (US)

(73) Assignee: **Akorba Inc.**, Marion, SD (US)

(**) Term: **15 Years**

(21) Appl. No.: **29/539,027**

(22) Filed: **Sep. 10, 2015**

(51) **LOC (10) Cl.** **11-05**

(52) **U.S. Cl.**
USPC **D8/353**

(58) **Field of Classification Search**
USPC D8/350-353, 399; D13/156, 152, 154, D13/158, 173, 169, 171, 146, 147, 162, D13/139.1-139.8; D25/60; D14/159; 49/25, 26, 49/28, 139, 199, 280, 362; D15/199
CPC H02G 3/083; H02G 3/081; H02G 3/14; E05Y 2900/106; E05Y 2600/45; E05Y 2900/00; E05F 15/43; E05F 15/00; E05F 2015/436; G01V 8/12; E06B 2009/6836
See application file for complete search history.

(56) **References Cited**

U.S. PATENT DOCUMENTS

847,718 A	3/1907	Ambos	
995,893 A	6/1911	Neitzel	
D126,098 S *	3/1941	McIntosh	D8/353
2,897,533 A	8/1959	Bull et al.	
3,438,534 A *	4/1969	Zerwes	H02G 3/14 220/241
4,451,106 A *	5/1984	Wiseheart	H02G 3/16 439/536
D288,525 S *	3/1987	Angle	D8/352

4,797,548 A *	1/1989	Kobbing	G01S 7/497 250/221
D309,093 S *	7/1990	Reinholt	D13/156
5,739,753 A *	4/1998	Porter	G08B 13/19 250/342
D396,401 S *	7/1998	Christie	D8/353
D399,829 S *	10/1998	Reed	D13/156

(Continued)

OTHER PUBLICATIONS

Midlite PLI Flange, 4 pages, website midlite.com/products.aspx?catId=774, accessed Nov. 26, 2013.

(Continued)

Primary Examiner — Mark Goodwin

(74) Attorney, Agent, or Firm — Lathrop & Gage LLP

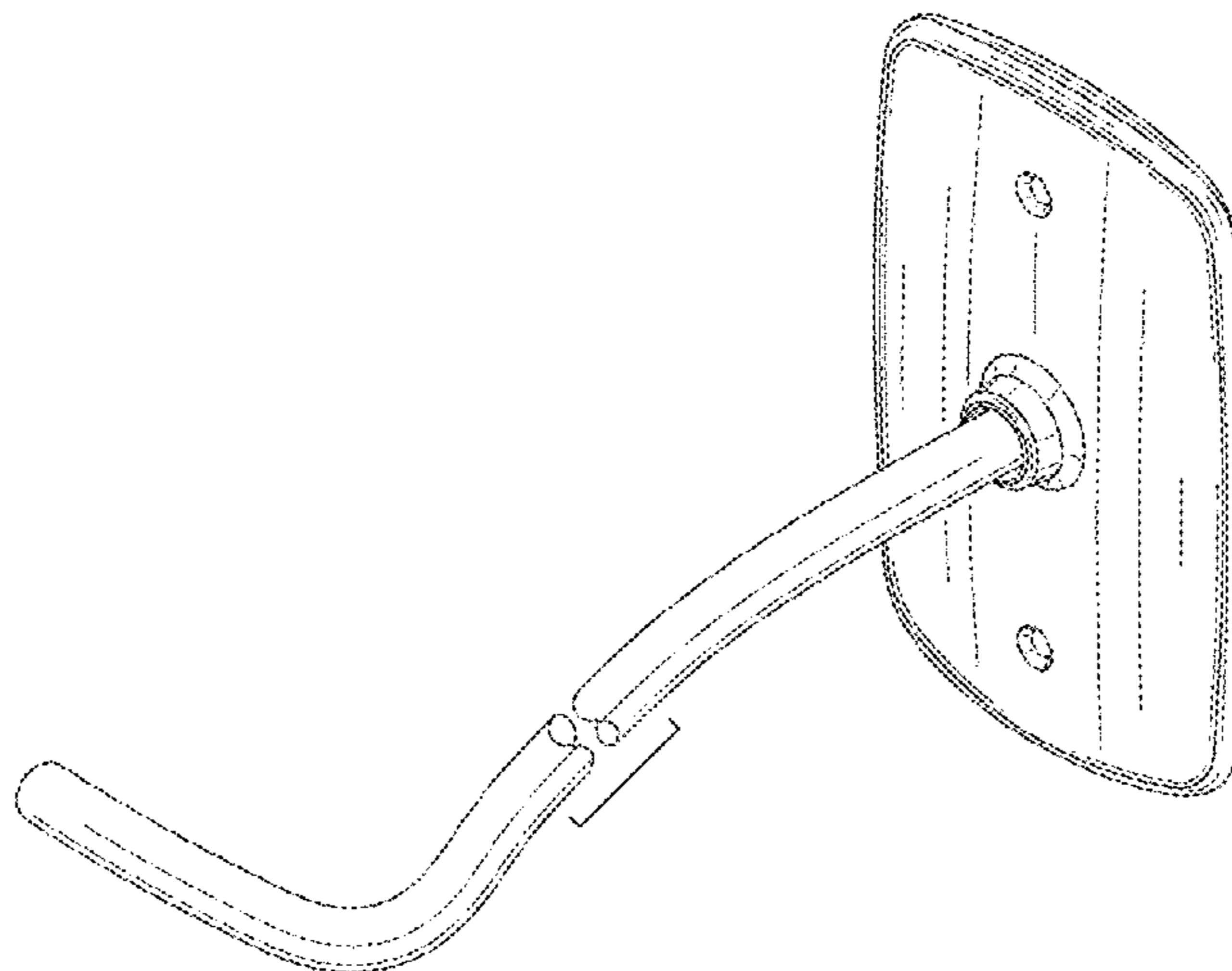
(57) **CLAIM**

The ornamental design for a cover for receiving a flexible conduit from a garage door sensor, as shown and described.

DESCRIPTION

FIG. 1 is a top, side, front perspective view of a cover for receiving a flexible conduit from a garage door sensor; FIG. 2 is a top, side, rear perspective view thereof; FIG. 3 is a front view thereof; FIG. 4 is a side view thereof, it being understood the other side is a mirror image thereof; FIG. 5 is a top view thereof, it being understood that the bottom is a mirror image thereof; and FIG. 6 is a perspective view thereof showing the cover for receiving a flexible conduit from a garage door sensor and the conduit in use, connected to a garage wall. The surrounding environment is shown with broken lines which form no part of the claimed design. FIGS. 1-6 use a separation and a bracket in the conduit to indicate, for ease of illustration, that the precise length of the conduit is not claimed.

1 Claim, 6 Drawing Sheets



(56)

References Cited

U.S. PATENT DOCUMENTS

D430,149 S * 8/2000 Afshar-Ghochani D14/146
 D430,478 S * 9/2000 De brey D8/353
 6,276,962 B1 * 8/2001 Gaines H02G 3/14
 174/66
 6,509,561 B1 1/2003 Scott
 D522,353 S * 6/2006 Wengrower D8/352
 D534,787 S * 1/2007 Fields D8/353
 D536,237 S * 2/2007 Smith D8/353
 7,312,407 B2 * 12/2007 Case H02G 3/383
 174/135
 D559,656 S * 1/2008 DeCosta D8/353
 D563,908 S * 3/2008 Kohler, Jr. D13/162
 D566,525 S * 4/2008 DeCosta D8/353
 7,527,500 B2 * 5/2009 Montena H01R 13/562
 439/534
 D593,842 S 6/2009 Corbin
 D608,805 S * 1/2010 Gantner D15/199
 D635,441 S * 4/2011 Roberts, III D8/330
 D643,701 S * 8/2011 Weber D8/353
 D658,525 S * 5/2012 Choi D10/103
 D660,131 S * 5/2012 Tailor D8/353
 D660,251 S * 5/2012 Liber D13/155
 D666,471 S * 9/2012 Peckham D8/353
 D668,931 S * 10/2012 Yoo D8/353
 D668,932 S * 10/2012 Zhang D8/353
 8,314,350 B1 11/2012 Gretz
 D673,837 S * 1/2013 Callif D8/350
 8,404,973 B1 3/2013 Gretz
 D689,027 S * 9/2013 Waggoner D13/151
 D699,197 S * 2/2014 Zaslavsky D13/156
 D699,198 S * 2/2014 Zaslavsky D13/156
 D711,328 S * 8/2014 Purdy D13/156

D719,527 S * 12/2014 Kim D13/156
 D731,291 S * 6/2015 Boeltl D6/524
 D732,375 S * 6/2015 Questel D8/353

OTHER PUBLICATIONS

Midlite Splitport Plate, 4 pages, website midlite.com/products.aspx?catId=764, accessed Nov. 26, 2013.
 Midlite Wireport Plate, 9 pages, website midlite.com/products.aspx?catId=765, accessed Nov. 26, 2013.
 Midlite Article re Wireport Plate, 3 pages, website http://www.cepro.com/article/midlites_wireport_plate_terminates_termination_problems/K1, accessed Nov. 26, 2013.
 Leviton IG Wall Plates, 5 pages, website http://www.leviton.com/OA_HTML/SectionDisplay.jsp?section=42944&minisite=10251&itemsPerPage=All, accessed Nov. 26, 2013.
 CableSock Wall Plate, 5 pages, website <http://www.amazon.com/PowerBridge-PBCS-BK-BK-CableSock-Low-Voltage/dp/B003CJTQ6K>, accessed Nov. 26, 2013.
 Powerbridge CableSock Wall Plate, 3 pages, website <http://www.wiredathome.com/powerbridge-pbcs-wh-wh-cables-sock-wall-plate-for-low-voltage-bulk-wire-cable-dressing-white/>, accessed Nov. 26, 2013.
 Keystone ShowMe Cables, 1 page, website <http://www.showmecables.com/product/IC107BN2GY.aspx>, accessed Nov. 26, 2013.
 Keystone Style Wall Plate, 7 pages, website <http://www.amazon.com/Icarus-Keystone-Style-Wall-Plate/dp/B0047ZFHBG/>, accessed Nov. 26, 2013.
 U.S. Appl. No. 29/539,030, filed Sep. 10, 2015.
 U.S. Appl. No. 29/539,031, filed Sep. 10, 2015.
 U.S. Appl. No. 29/539,034, filed Sep. 10, 2015.

* cited by examiner

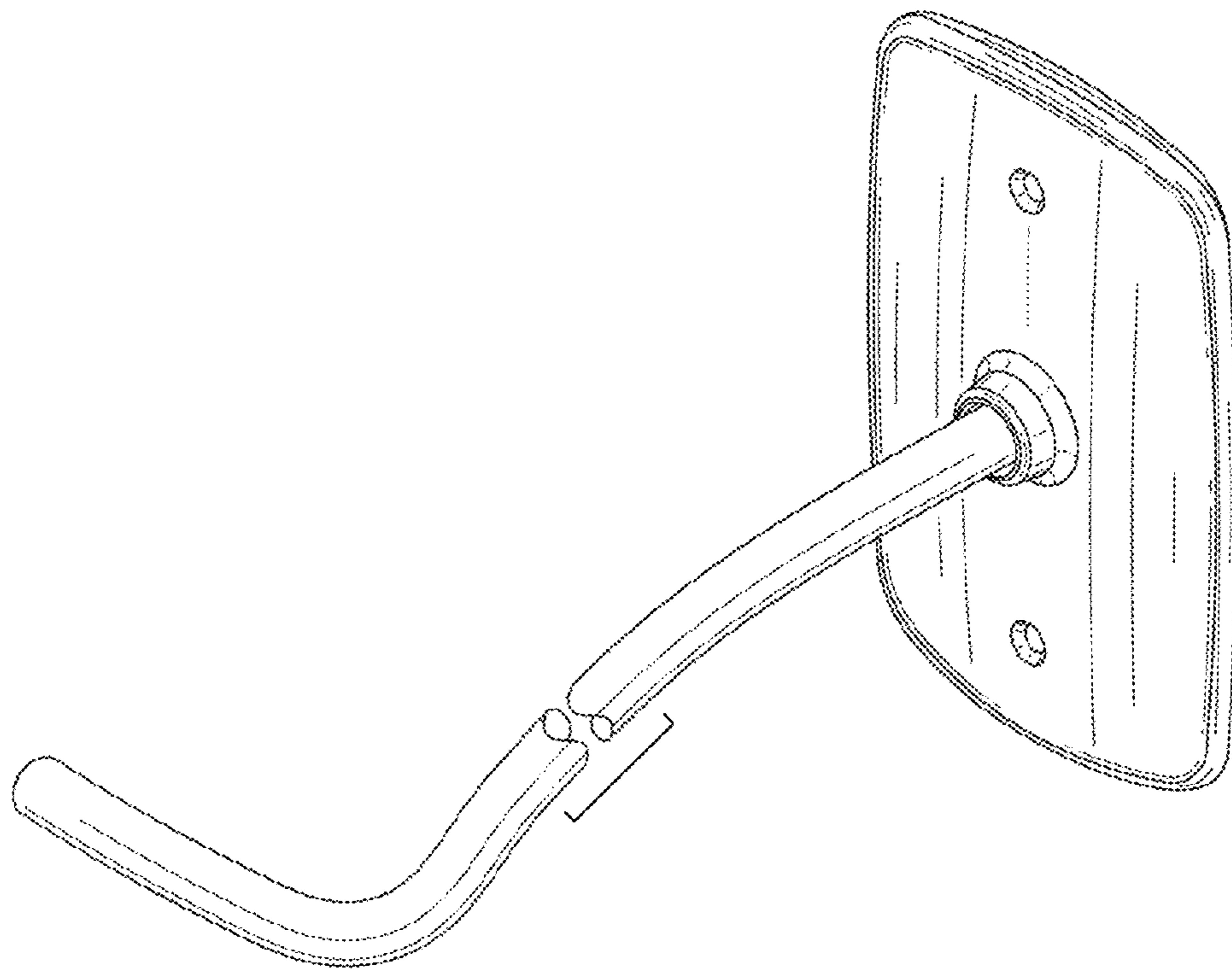


FIG. 1

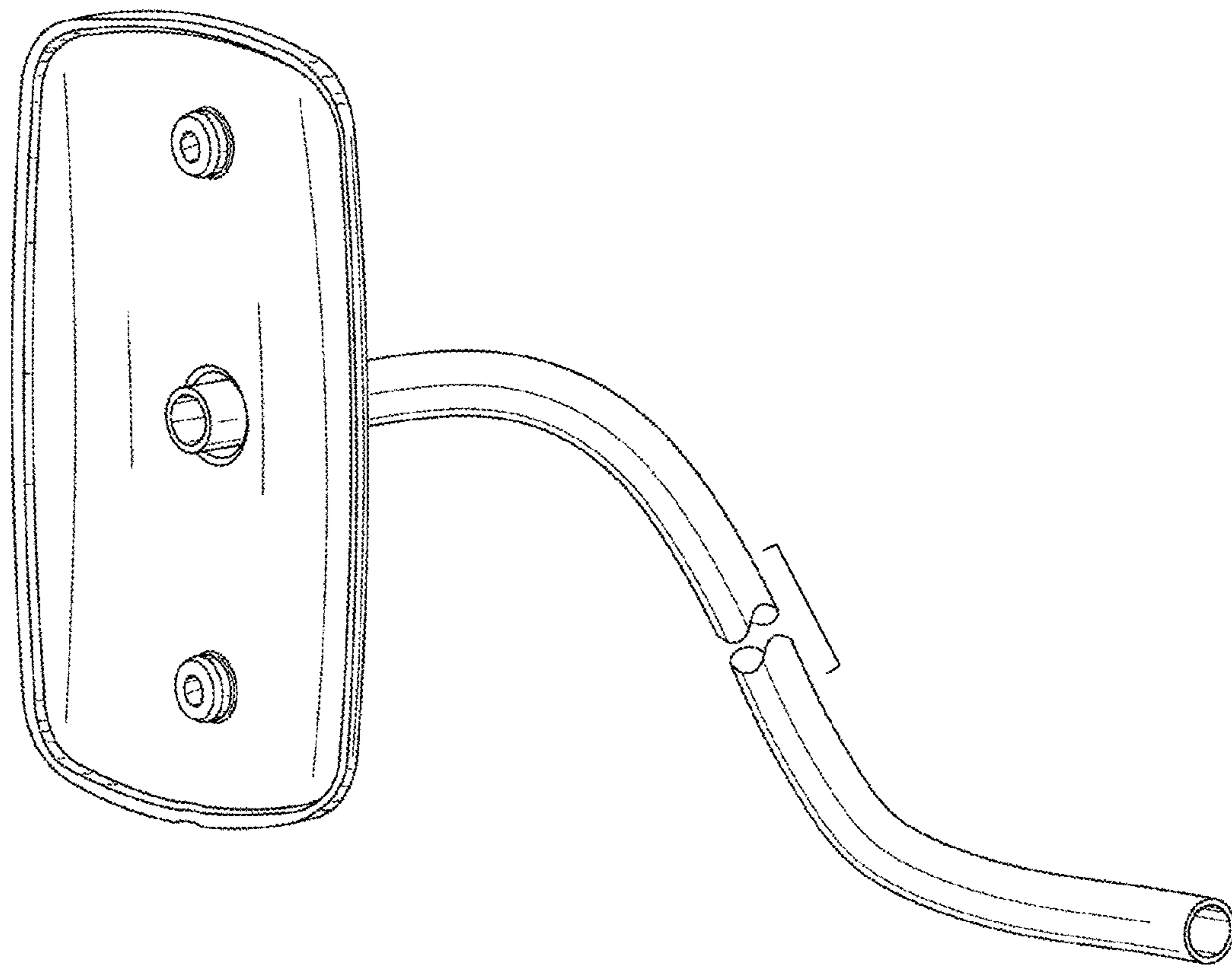


FIG. 2

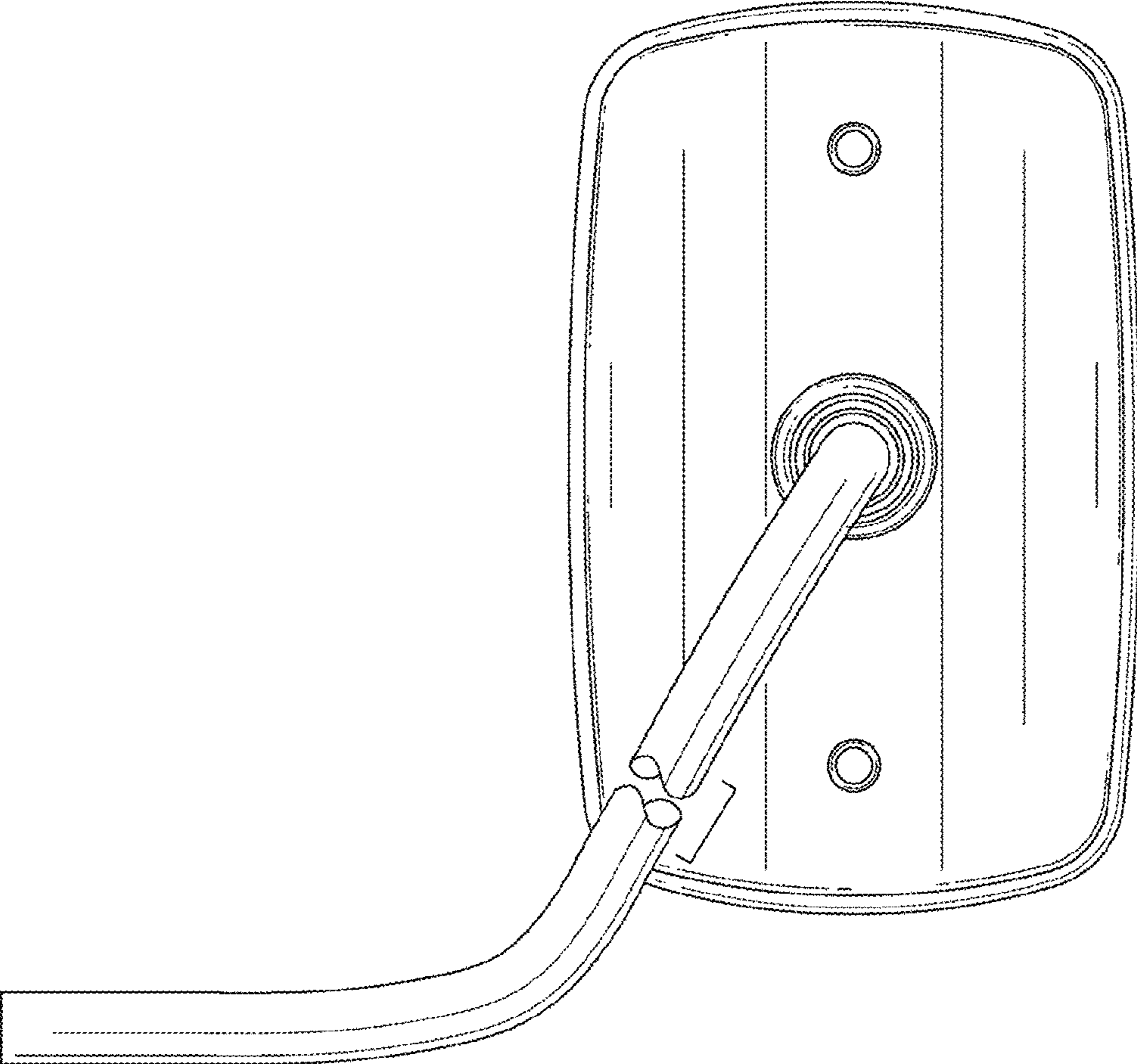


FIG. 3

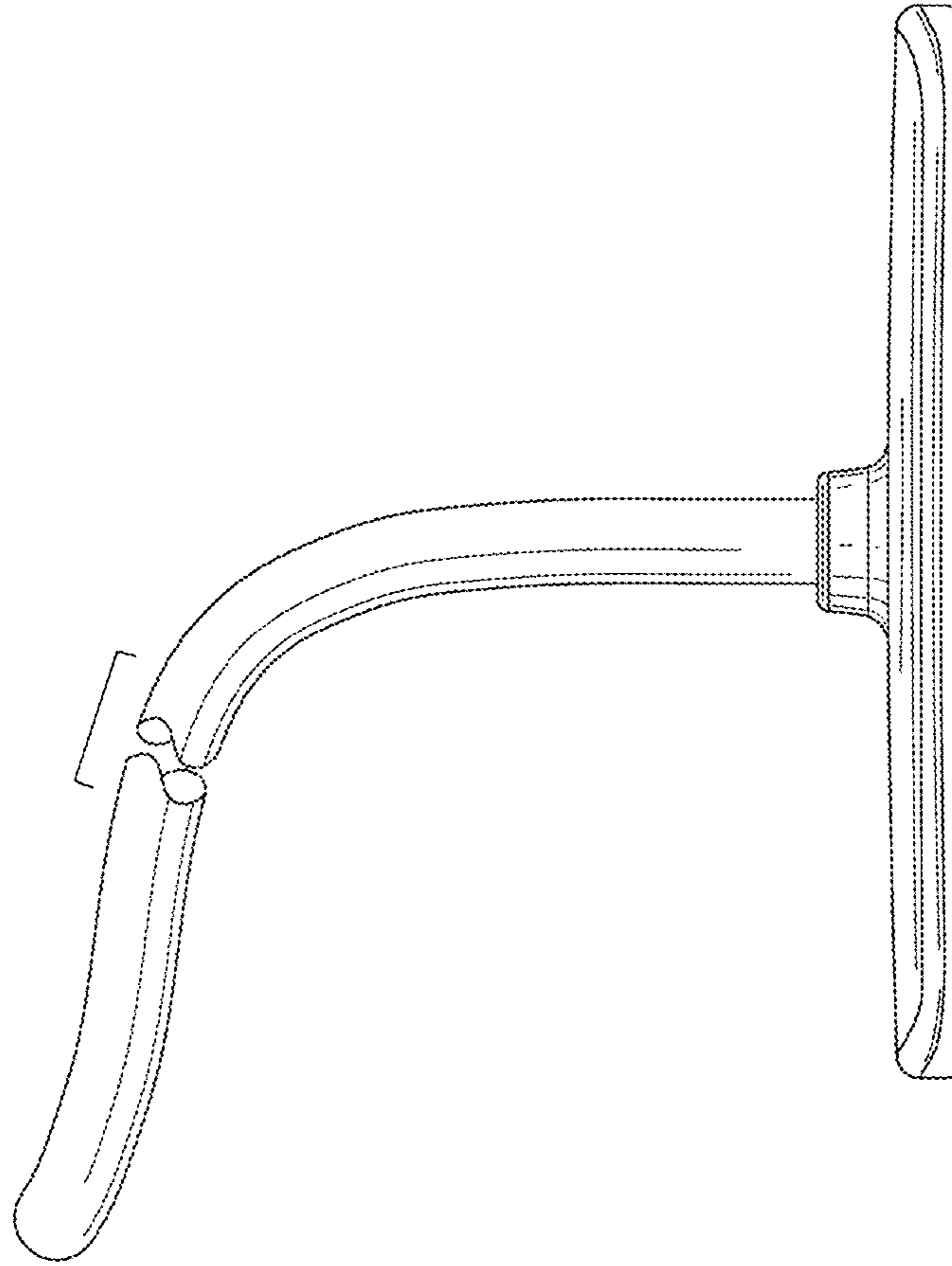


FIG. 4

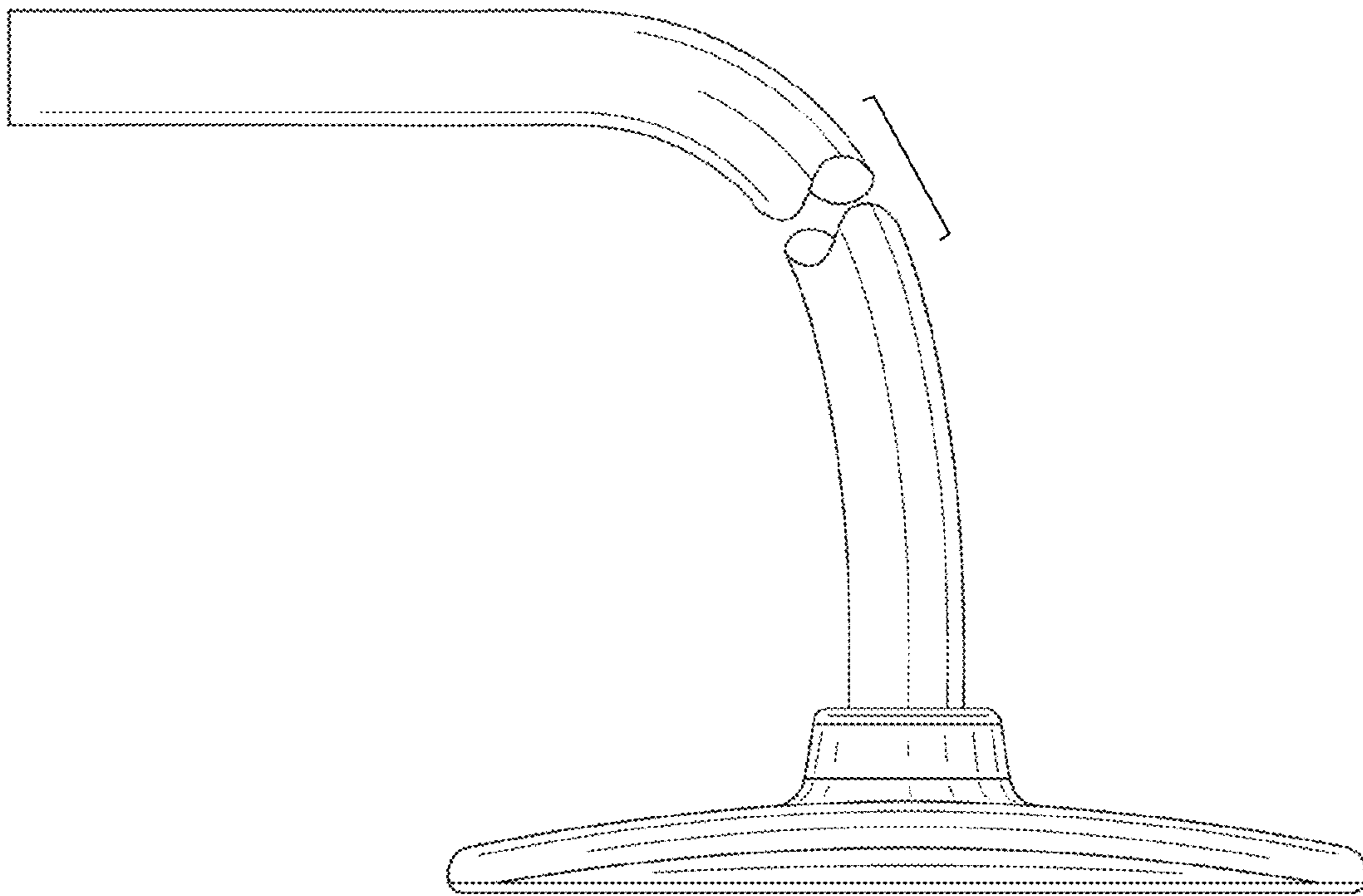


FIG. 5

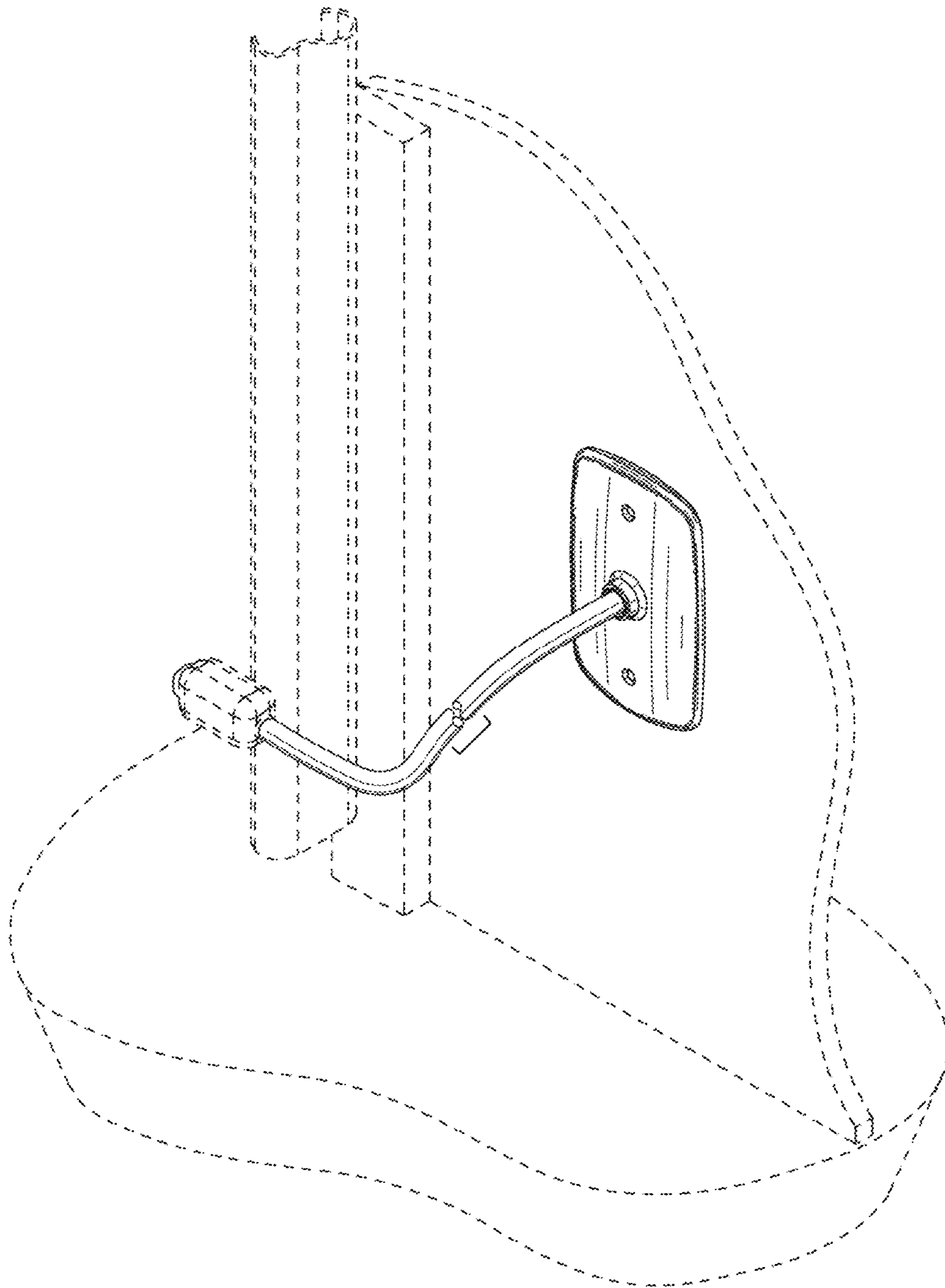


FIG. 6