



US00D773280S

(12) **United States Design Patent** (10) **Patent No.:** **US D773,280 S**
Rathman (45) **Date of Patent:** **** Dec. 6, 2016**

(54) **LOCKING DEVICE**
(71) Applicant: **Winston Products, LLC**, Cleveland, OH (US)
(72) Inventor: **David Edward Birn Rathman**, Cleveland, OH (US)
(73) Assignee: **WINSTON PRODUCTS LLC**, Cleveland, OH (US)
(**) Term: **15 Years**
(21) Appl. No.: **29/532,582**
(22) Filed: **Jul. 8, 2015**
(51) **LOC (10) Cl.** **08-07**
(52) **U.S. Cl.**
USPC **D8/330**
(58) **Field of Classification Search**
USPC D8/330, 331, 342, 343, 337, 349, 333 R;
70/14, 1.5, 35, 51, 52, 57, 57.1, 182,
70/183, 187, 189, 242, 244, 431, DIG. 78,
70/DIG. 79, 258, 9, 33
CPC E05B 9/00; E05B 2009/004; E05B 9/02;
E05B 15/00; E05B 15/0086; E05B 15/10;
E05B 17/00
See application file for complete search history.

(56) **References Cited**
U.S. PATENT DOCUMENTS
3,226,133 A * 12/1965 Geresy B60D 1/065
280/507
3,492,023 A * 1/1970 Thompson B60D 1/065
280/507
3,855,825 A * 12/1974 Pickard E05B 71/00
70/14
4,291,557 A 9/1981 Bulle et al.

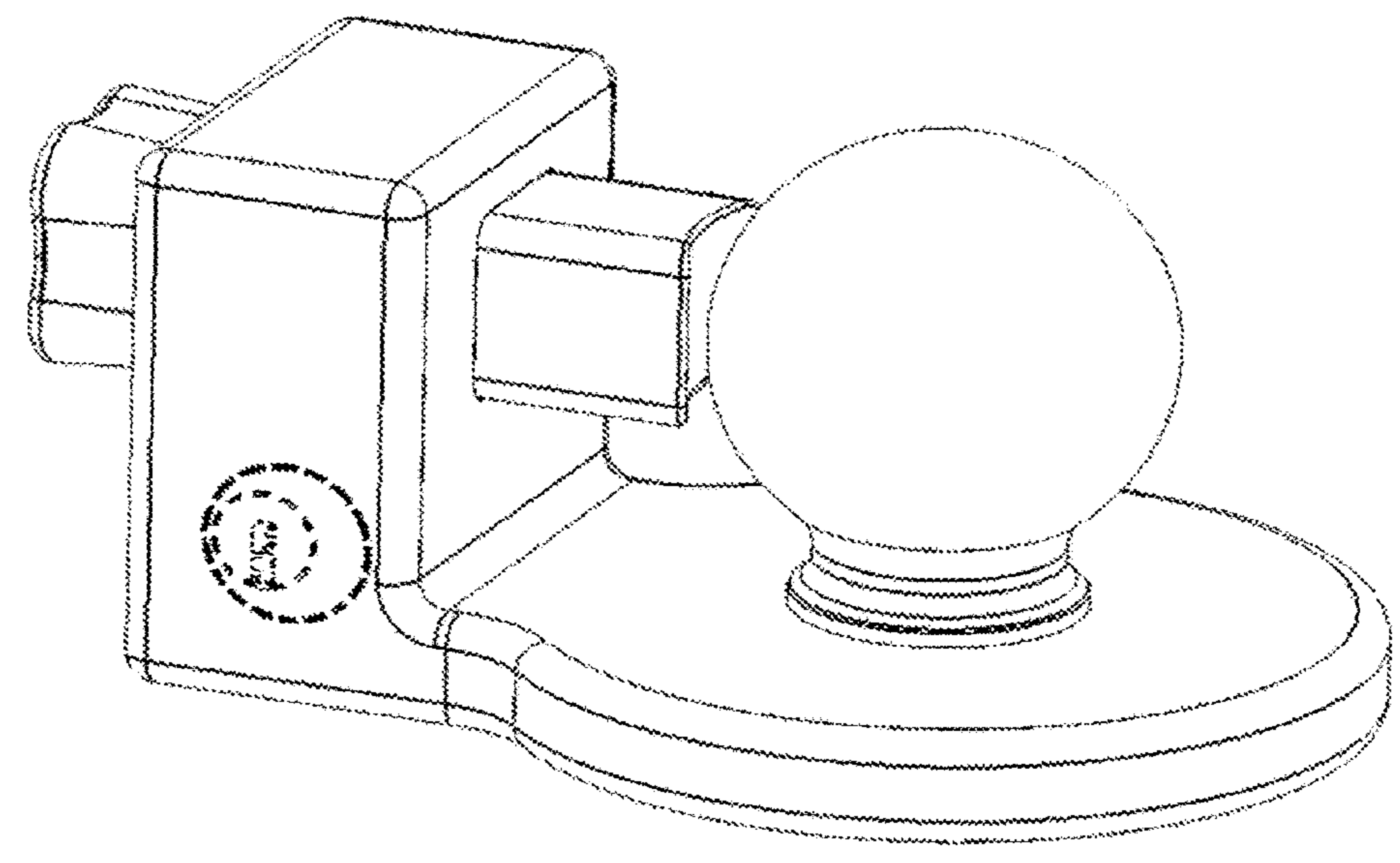
4,599,011 A * 7/1986 Tashiro F16B 12/2036
403/245
4,774,823 A 10/1988 Callison
5,312,128 A * 5/1994 Blacklaw B60D 1/07
280/512
D402,602 S * 12/1998 Niswanger D12/162
5,873,271 A * 2/1999 Smith B60D 1/60
280/507
D414,675 S * 10/1999 Niswanger D8/333
D436,064 S * 1/2001 Niswanger D12/162
D444,746 S * 7/2001 Wherley D12/162
D457,113 S 5/2002 Zapushek et al.
6,393,874 B1 5/2002 Zapushek et al.
D700,037 S * 2/2014 Lohmann D8/330
8,925,414 B1 * 1/2015 Park B63H 21/21
137/636.1
9,212,508 B2 * 12/2015 Loughlin E05B 67/003

* cited by examiner
Primary Examiner — Prabhakar Deshmukh
(74) *Attorney, Agent, or Firm* — Tucker Ellis LLP

(57) **CLAIM**
The ornamental design for a locking device, as shown and described.

DESCRIPTION
FIG. 1 is a perspective view of a locking device showing our new design;
FIG. 2 is another perspective view thereof;
FIG. 3 is a front view thereof;
FIG. 4 is a rear view thereof;
FIG. 5 is a top view of the locking thereof;
FIG. 6 is a bottom view thereof;
FIG. 7 is a right side view thereof; and,
FIG. 8 is a left side view thereof.
The broken lines shown herein are for illustrative purposes only and form no part of the claimed design.

1 Claim, 4 Drawing Sheets



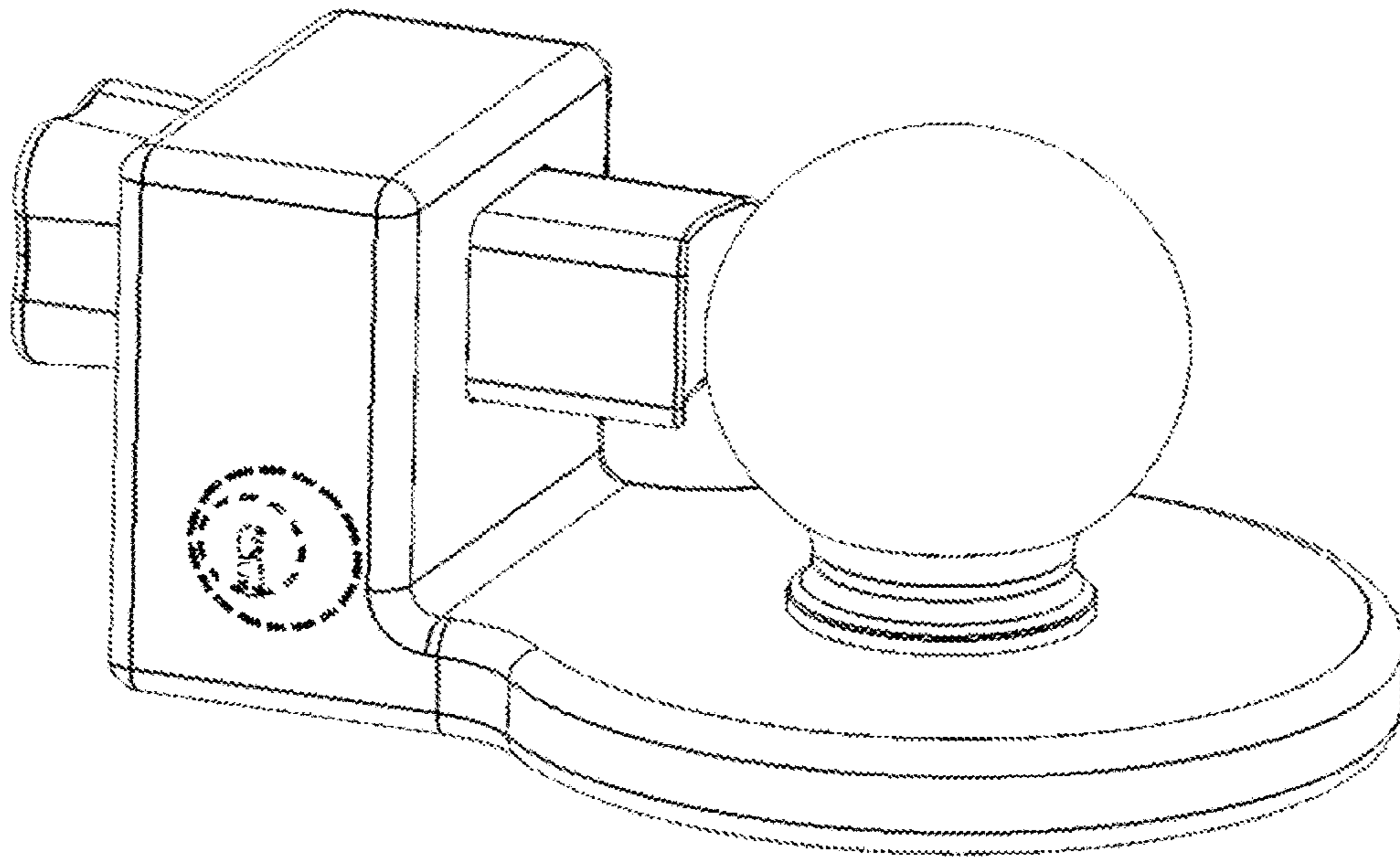


FIG. 1

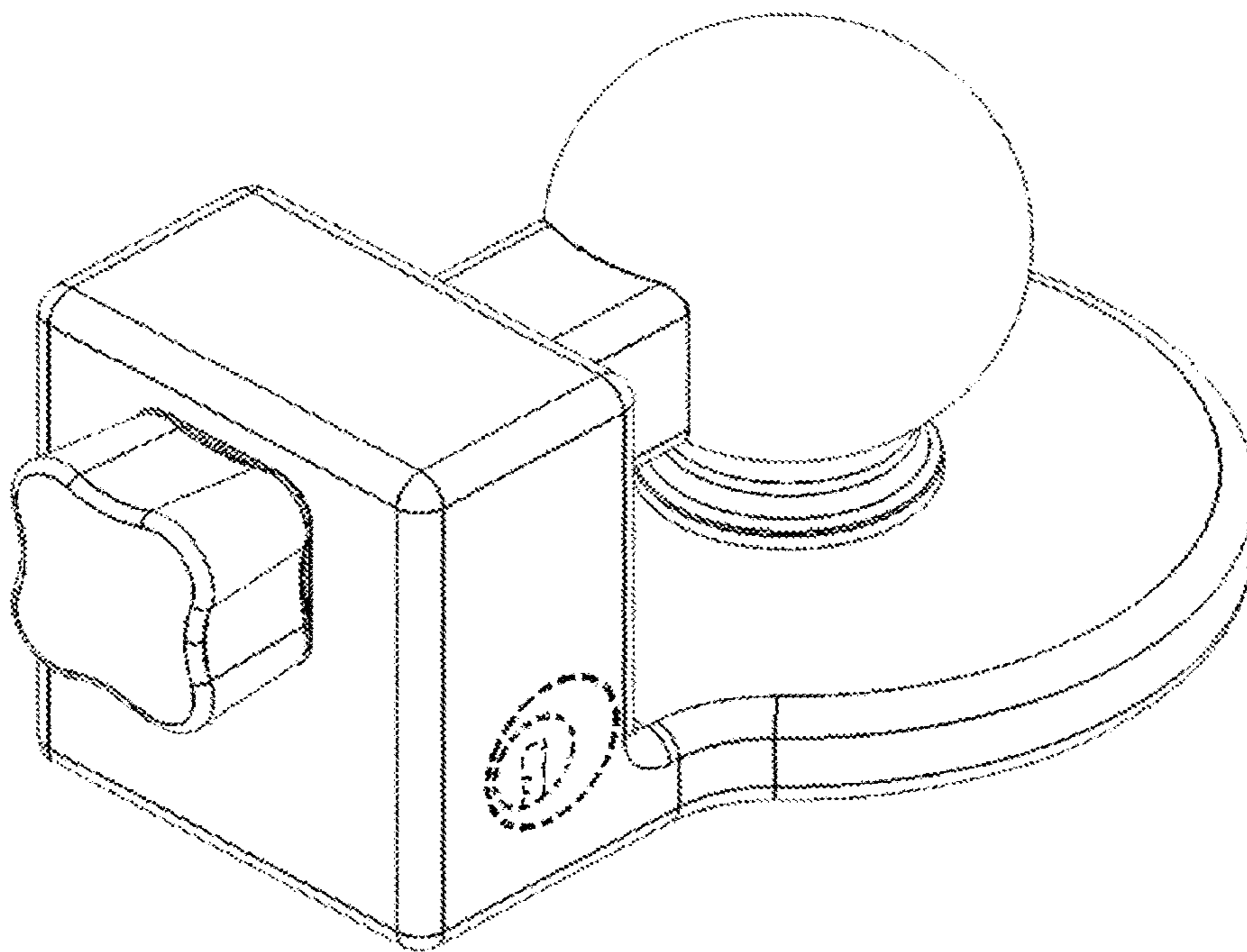


FIG. 2

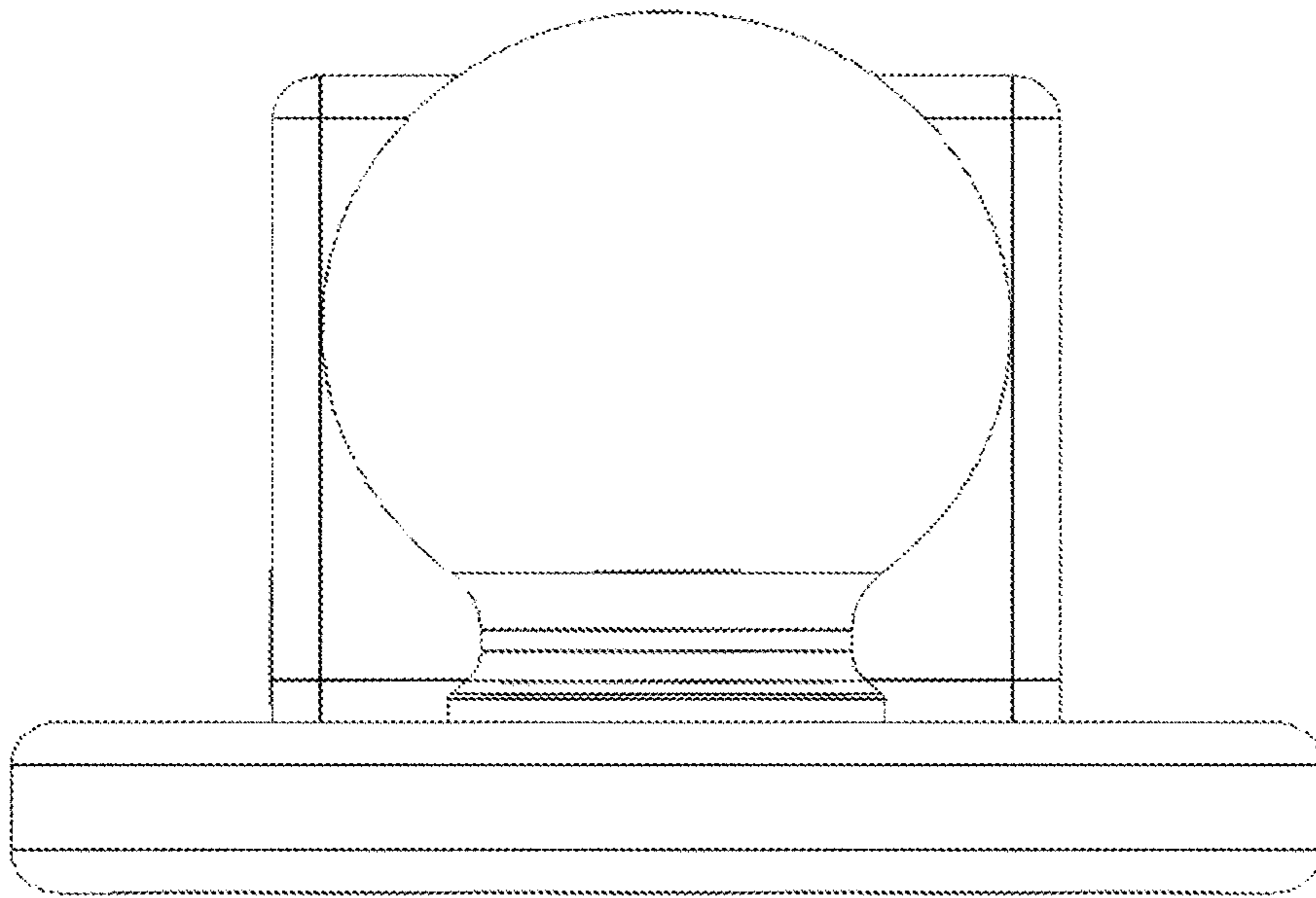


FIG. 3

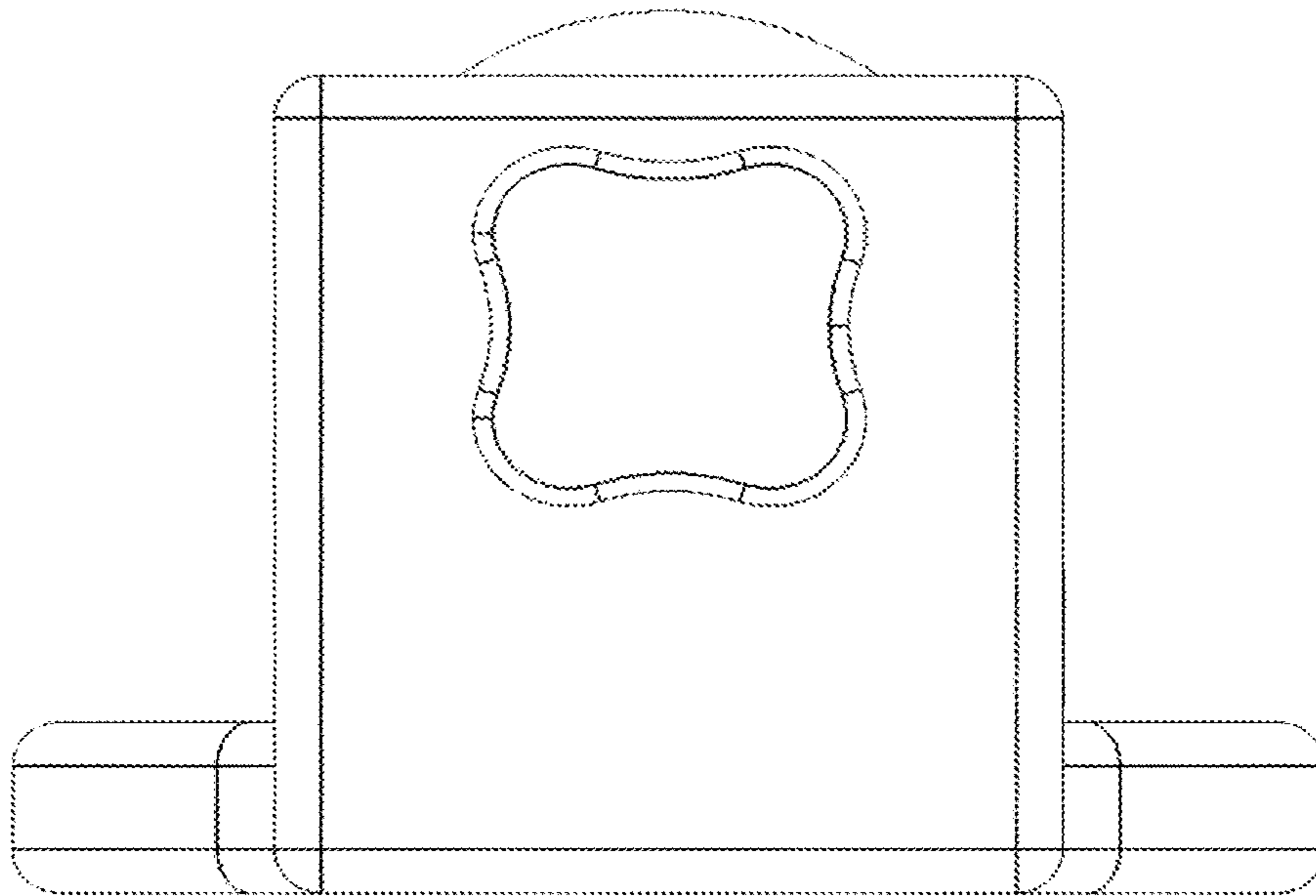


FIG. 4

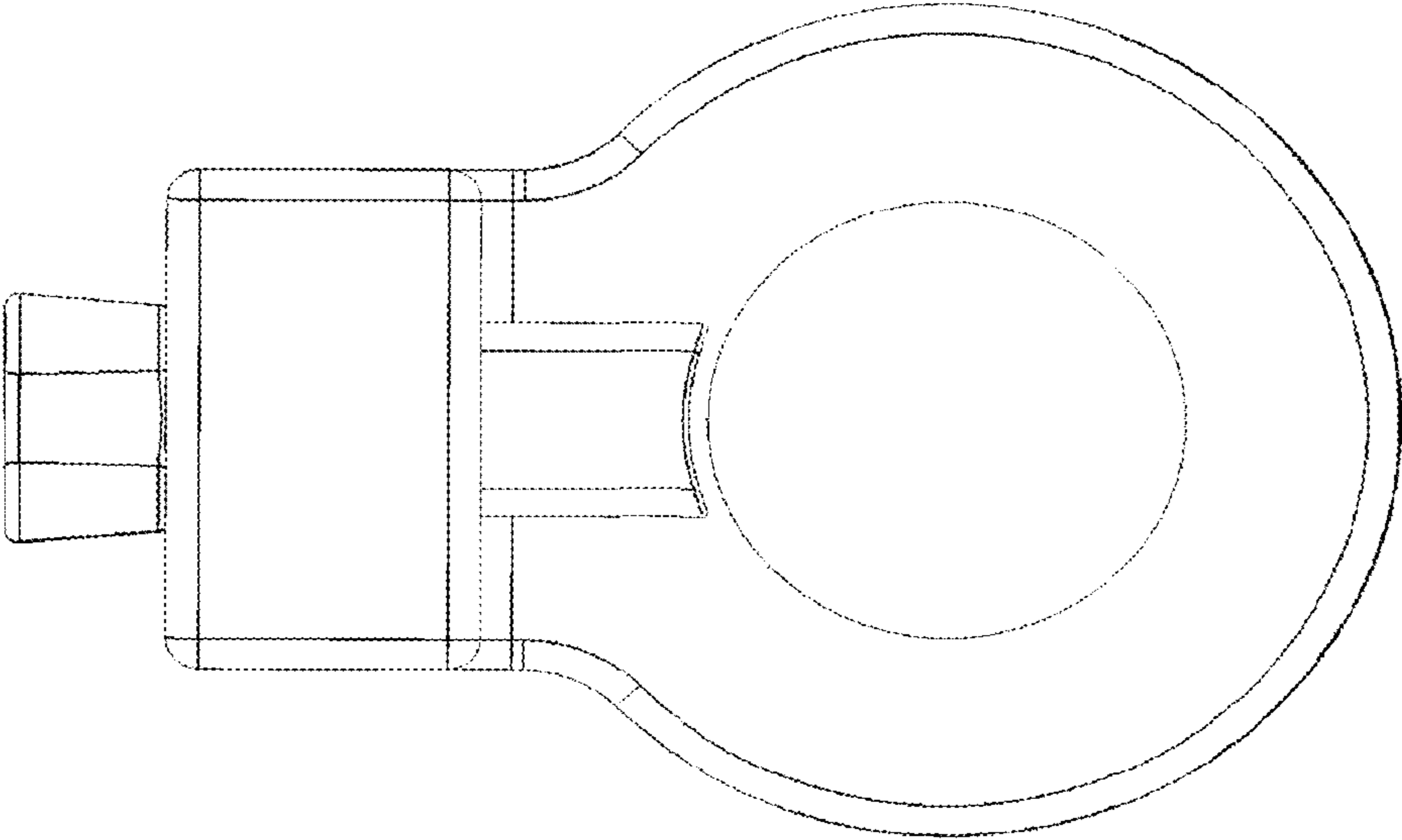


FIG. 5

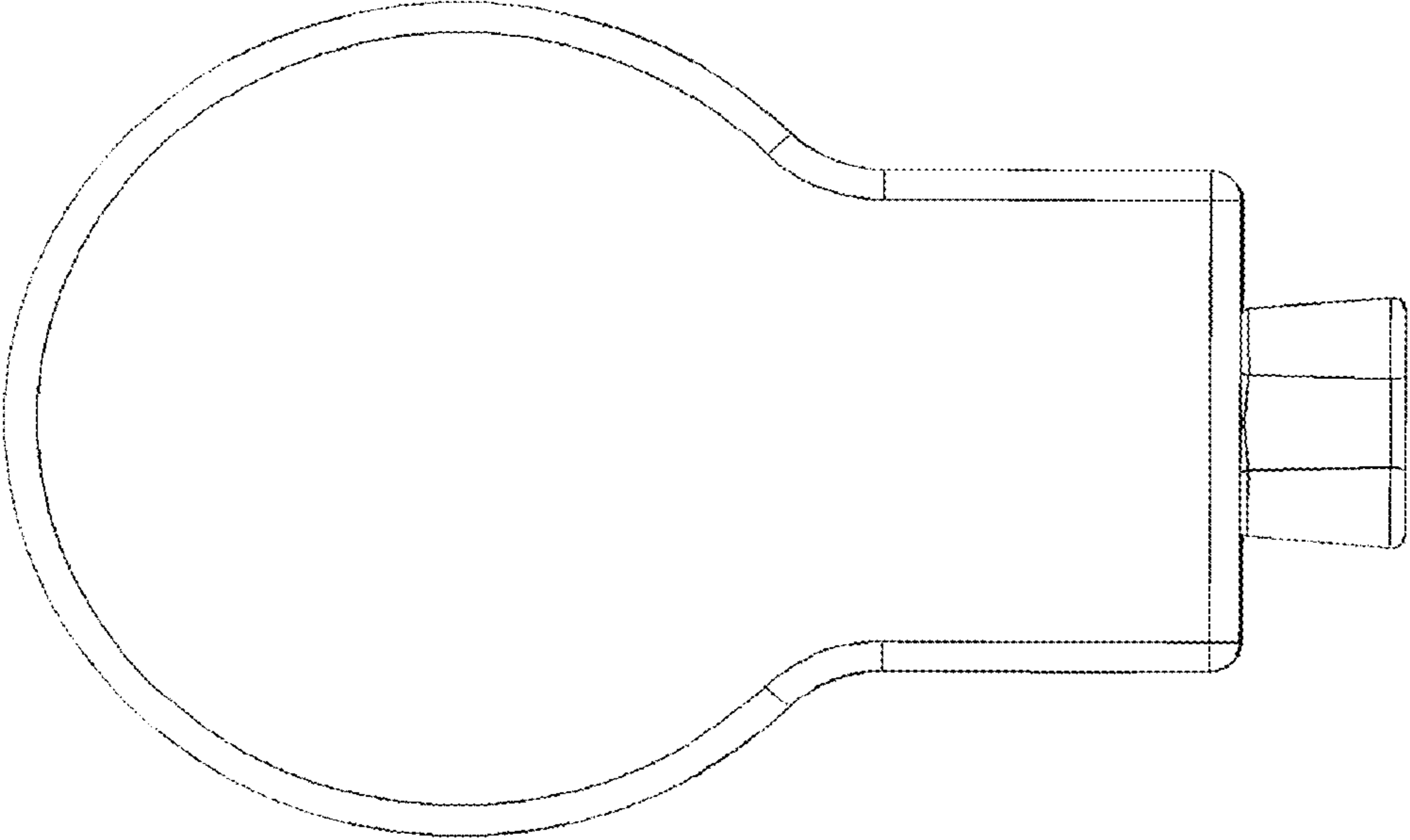


FIG. 6

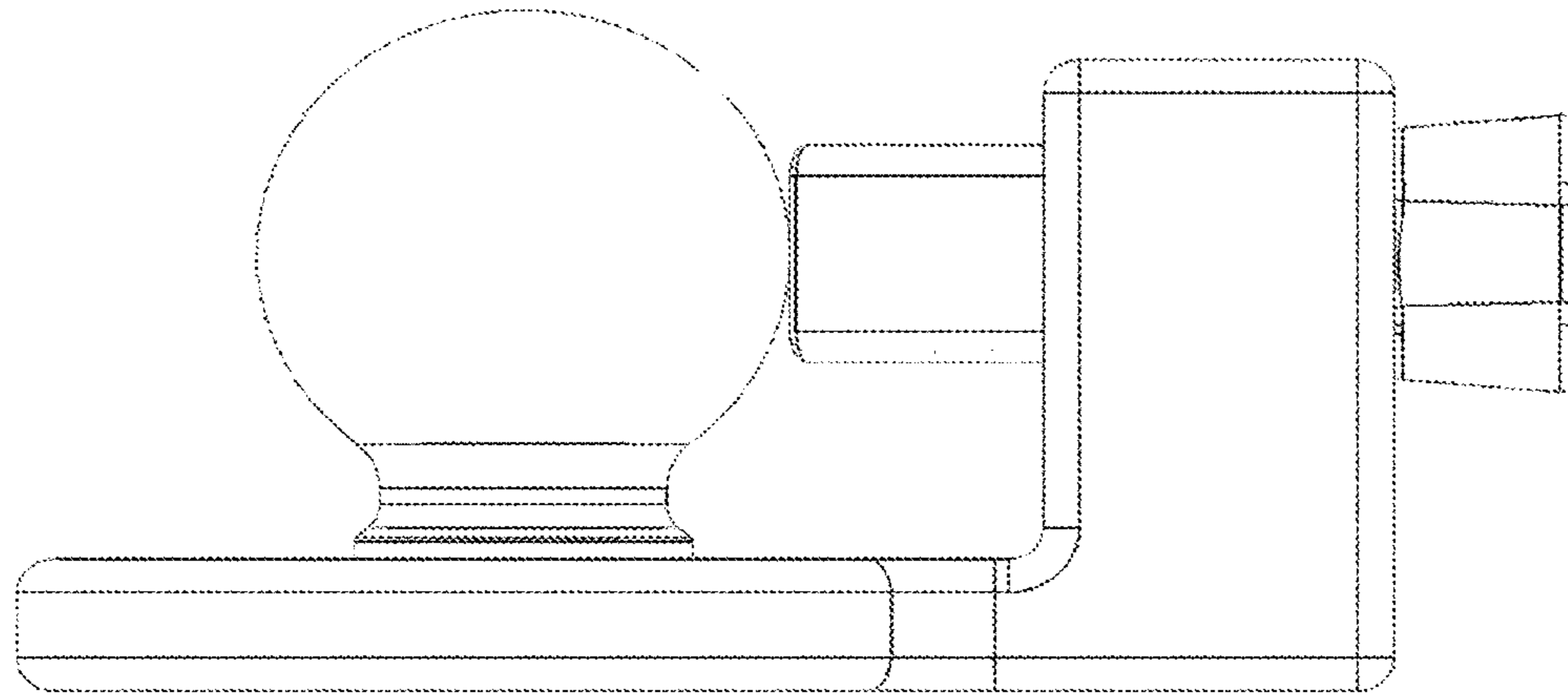


FIG. 7

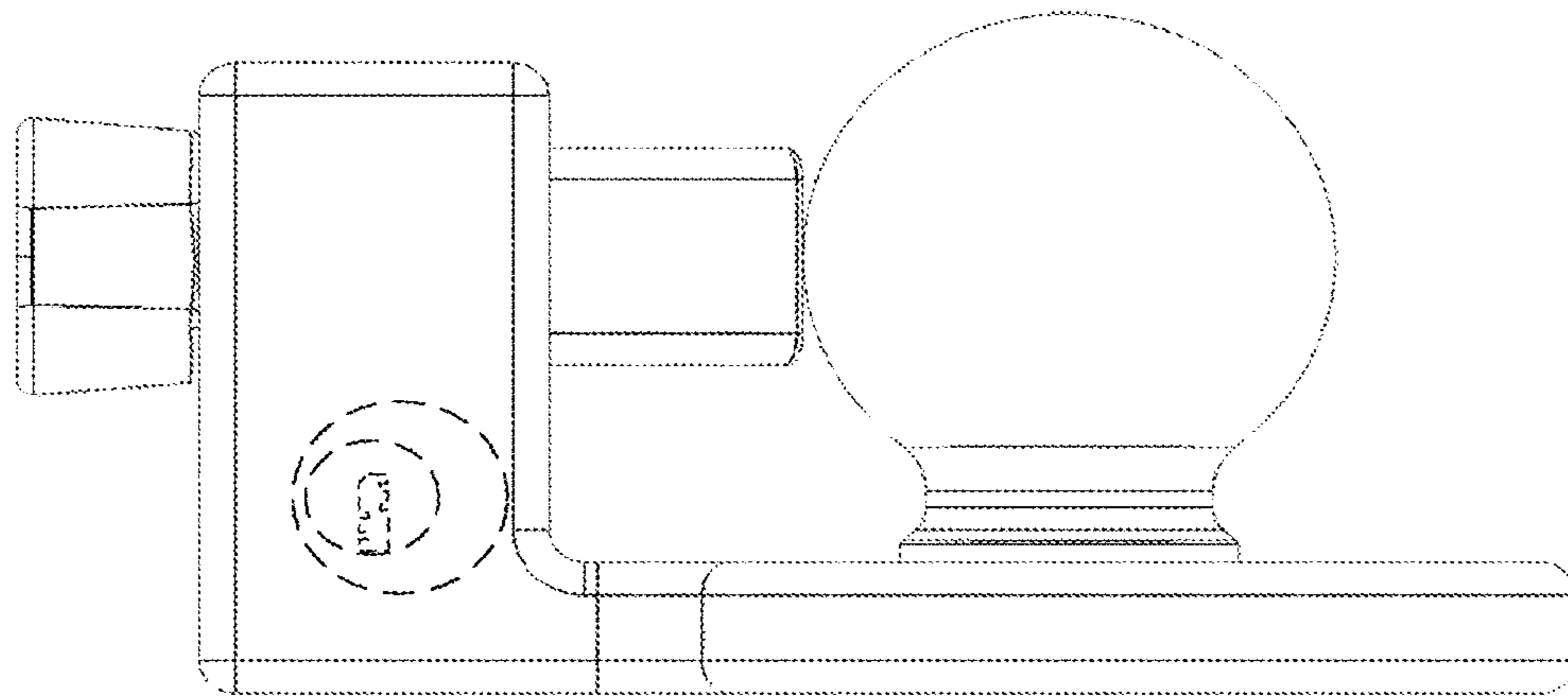


FIG. 8