



US00D773276S

(12) **United States Design Patent** (10) **Patent No.:** **US D773,276 S**
Ou (45) **Date of Patent:** **** Dec. 6, 2016**

(54) **TOOL HANDLE**
(71) Applicant: **Yu-Hua Ou**, Taichung (TW)
(72) Inventor: **Yu-Hua Ou**, Taichung (TW)
(**) Term: **14 Years**
(21) Appl. No.: **29/511,493**
(22) Filed: **Dec. 11, 2014**
(51) **LOC (10) Cl.** **08-05**
(52) **U.S. Cl.**
USPC **D8/107**
(58) **Field of Classification Search**
USPC D8/14, 51, 82, 83, 95, 98, 107, 300,
D8/303; D32/41, 44, 48, 49; D7/395;
D4/138
CPC B25G 3/30; B25G 3/00; B25G 3/18;
A47L 1/06
See application file for complete search history.

D622,572 S * 8/2010 Chang D8/80
D658,461 S * 5/2012 Wang D8/25
D682,067 S * 5/2013 Tillet D8/107

* cited by examiner

Primary Examiner — Phillip S Hyder
(74) *Attorney, Agent, or Firm* — Muncy, Geissler, Olds & Lowe, P.C.

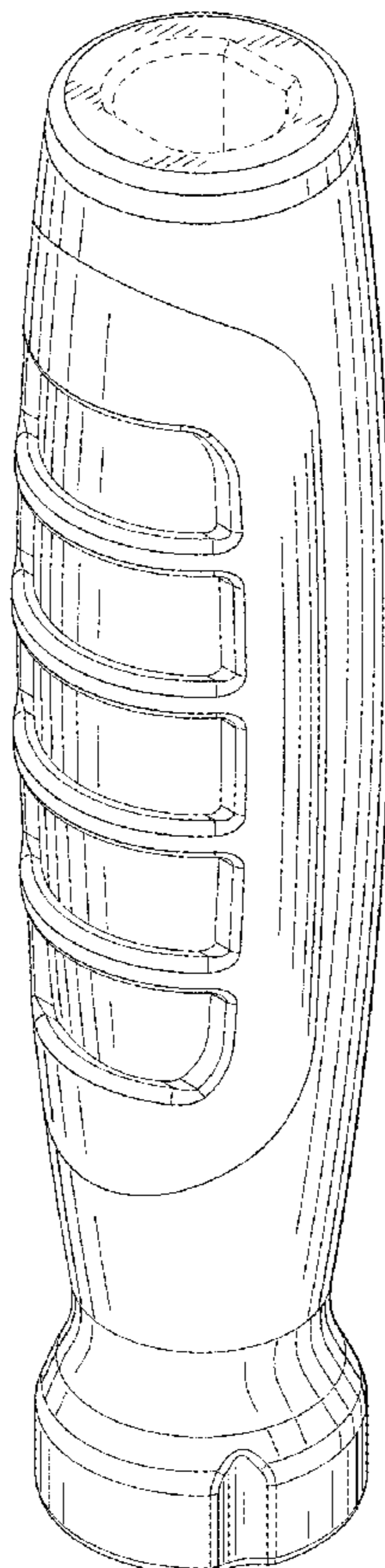
(57) **CLAIM**
I claim the ornamental design for a tool handle, as shown and described.

DESCRIPTION

FIG. 1 is a right, front, top perspective view of a tool handle showing my new design;
FIG. 2 is a front elevational view thereof;
FIG. 3 is a rear elevational view thereof;
FIG. 4 is a left side view thereof;
FIG. 5 is a right side view thereof;
FIG. 6 is a top plan view thereof;
FIG. 7 is a bottom plan view thereof; and,
FIG. 8 is a right, rear, bottom perspective view of the tool handle.
The broken lines depict portions of the tool handle in which the design is embodied that are not considered part of the claimed design.

(56) **References Cited**
U.S. PATENT DOCUMENTS
D462,003 S * 8/2002 Juhlin D8/107
D534,411 S * 1/2007 Kuo D21/679
D559,650 S * 1/2008 Tseng D8/107

1 Claim, 5 Drawing Sheets



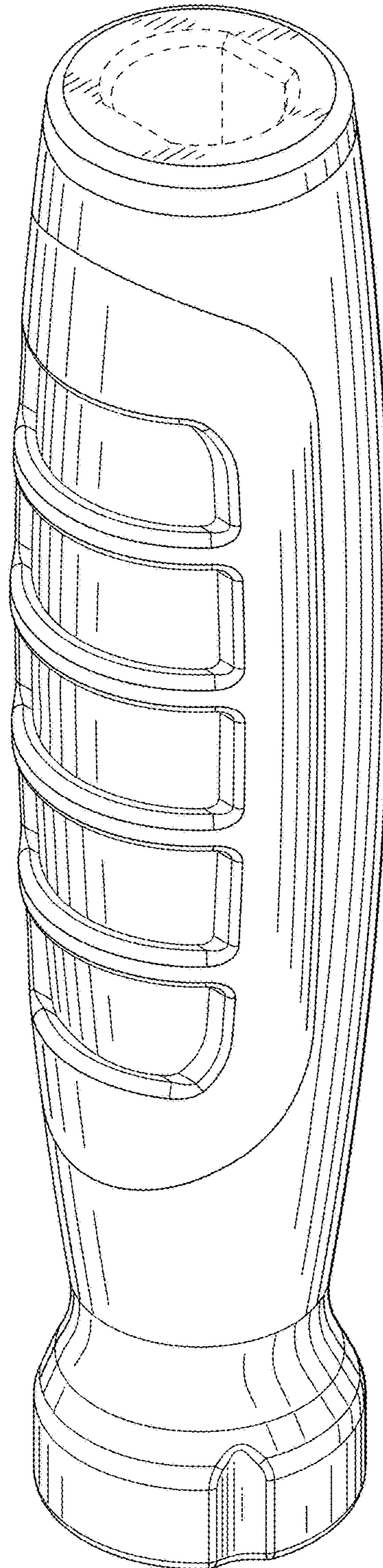


FIG. 1

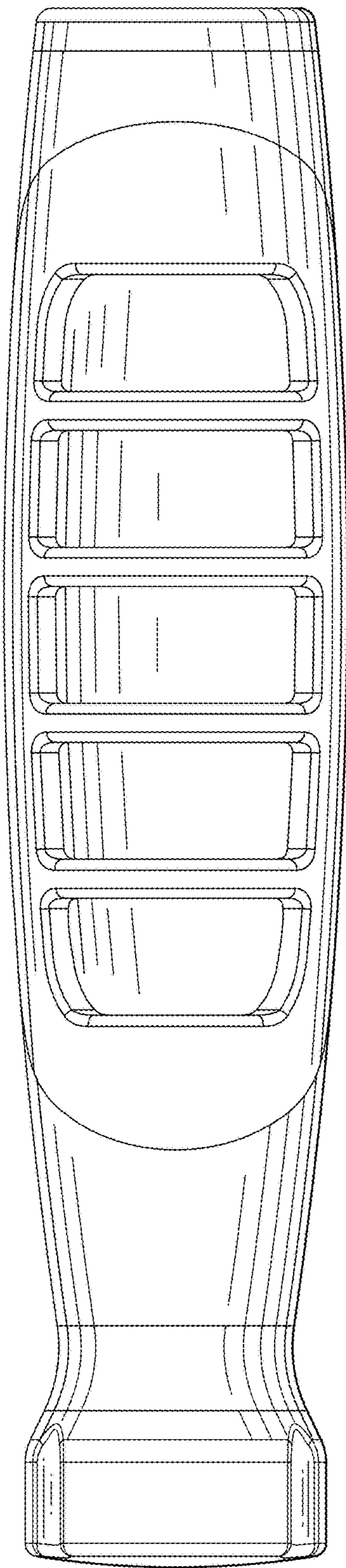


FIG. 2

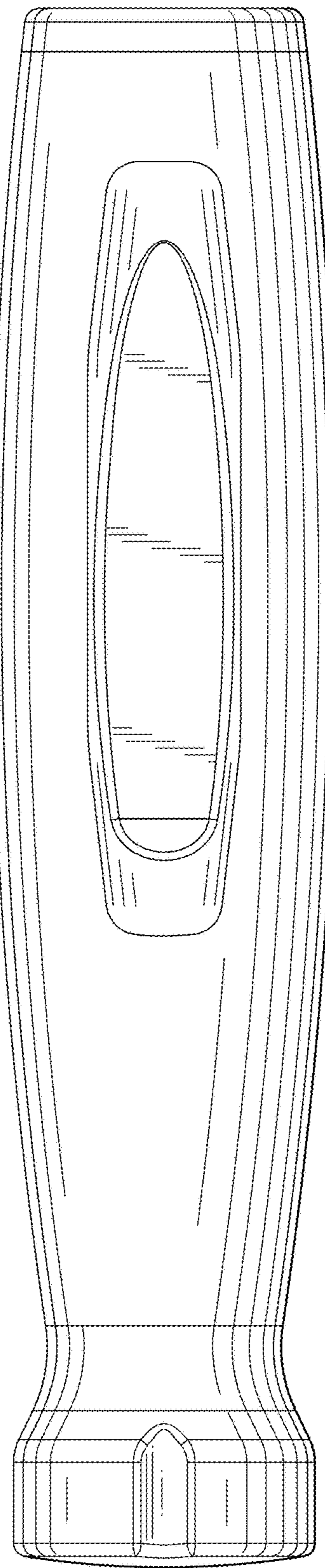


FIG. 3

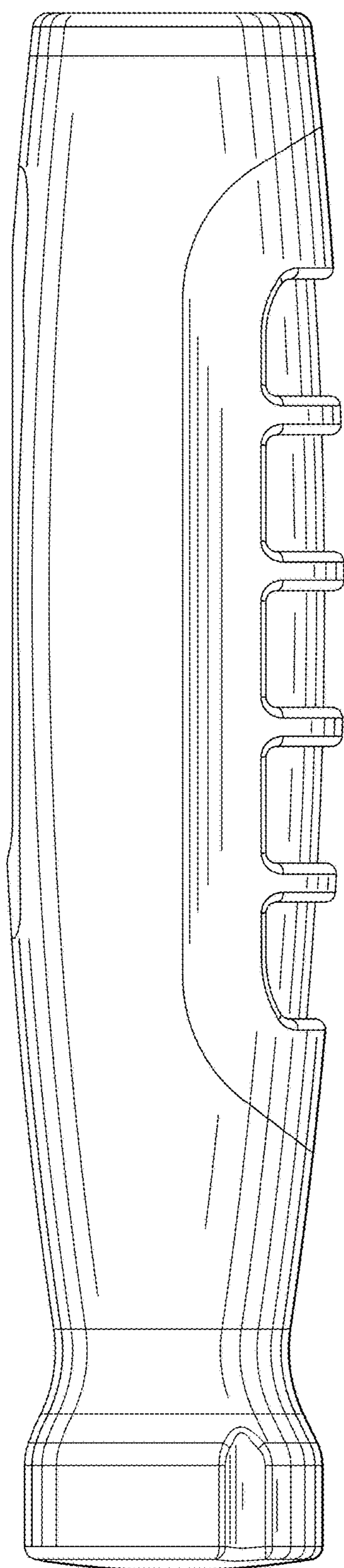


FIG. 4

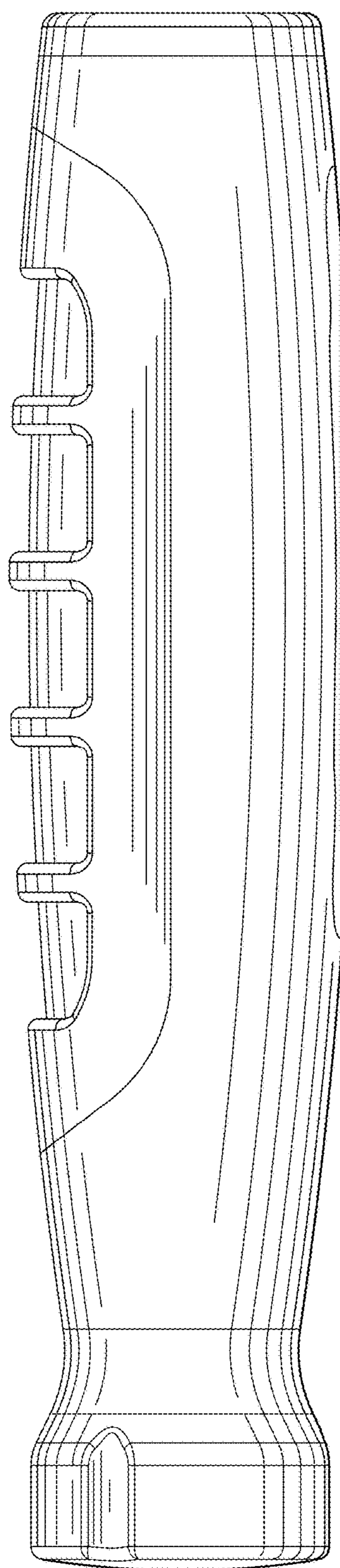


FIG. 5

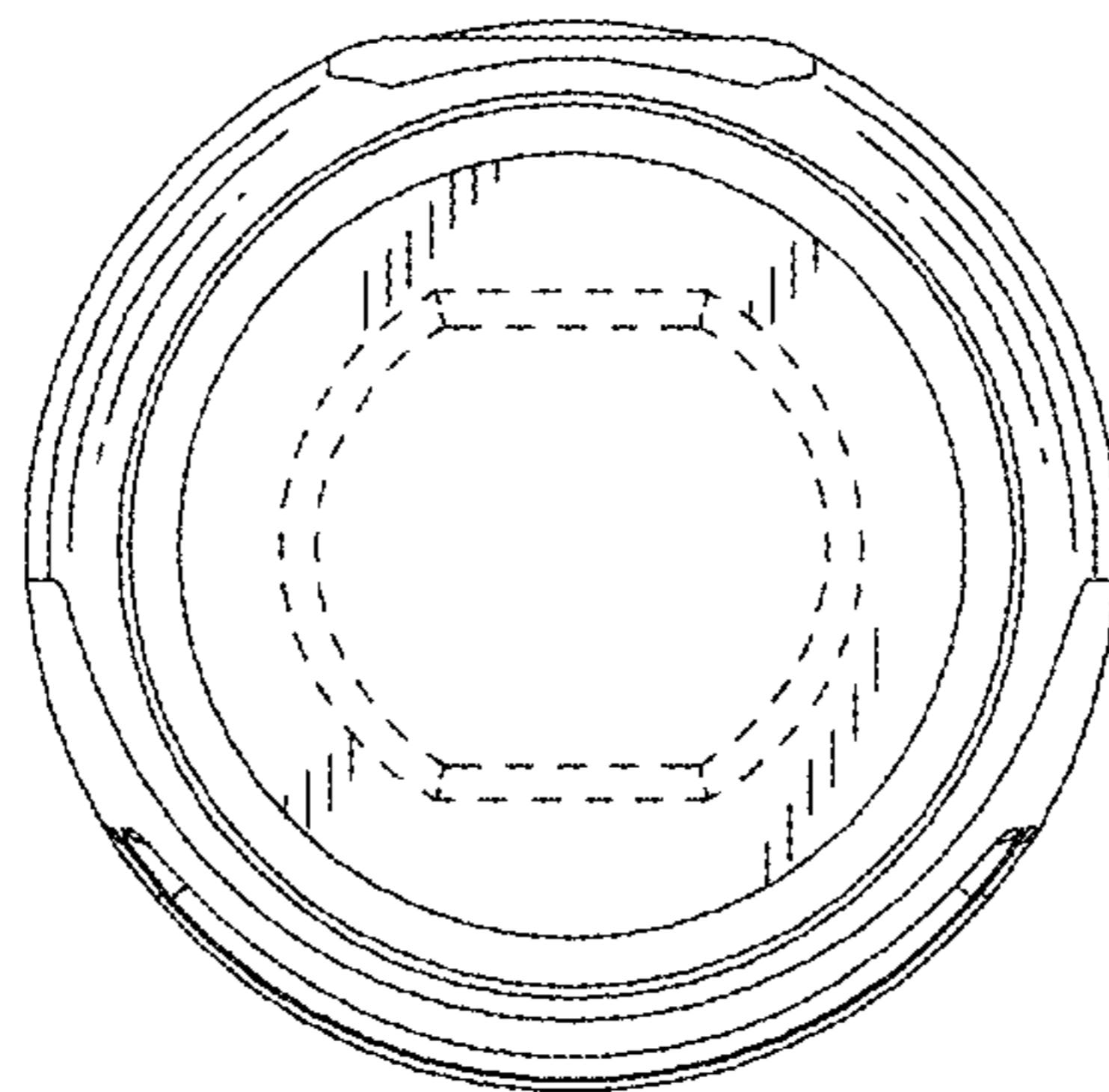


FIG. 6

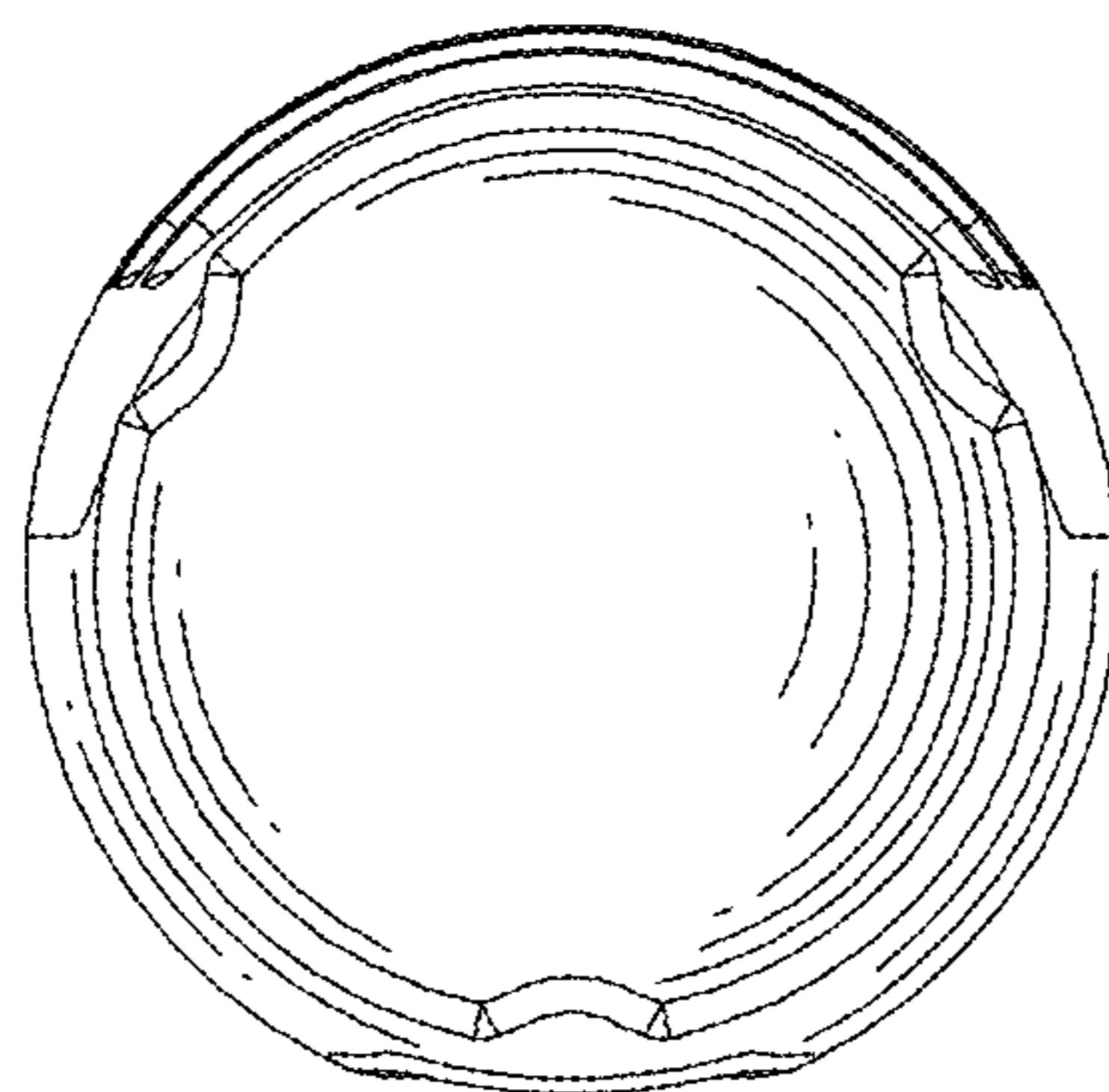


FIG. 7

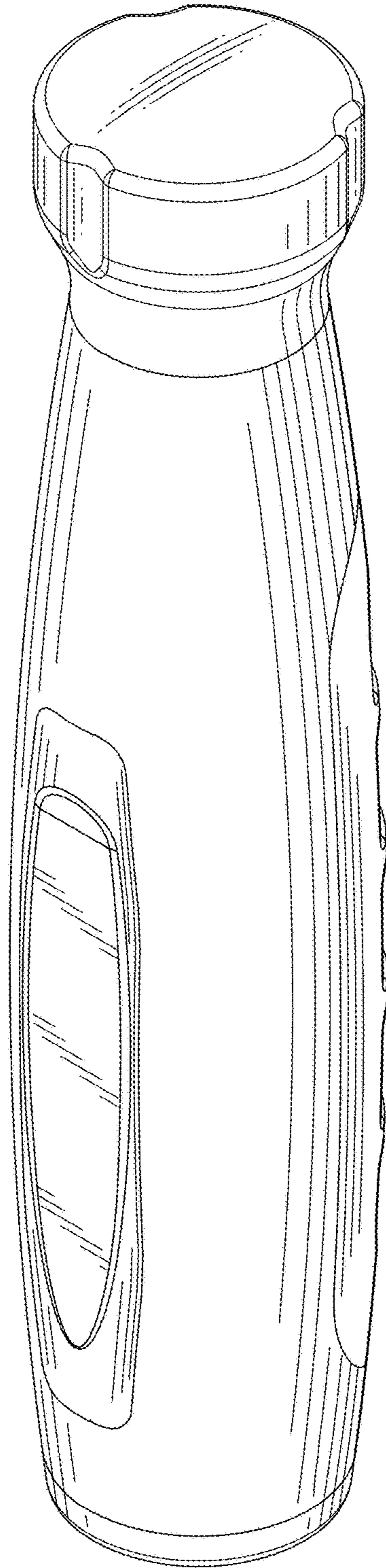


FIG. 8