



US00D773272S

(12) **United States Design Patent** (10) **Patent No.:** **US D773,272 S**
Su (45) **Date of Patent:** **** Dec. 6, 2016**

(54) **TOOL** 6,302,001 B1 * 10/2001 Karle B25B 15/008
81/13
(71) Applicant: **Hong Ann Tool Industries Co., Ltd.,** 6,729,211 B1 * 5/2004 Snow B25B 13/481
Taichung (TW) 81/177.75
(72) Inventor: **Cheng-Wei Su, Taichung (TW)** D645,328 S * 9/2011 Hsu D8/86
D653,518 S * 2/2012 Lucio D8/86
8,215,206 B2 * 7/2012 Kozak B25B 27/18
81/441
(73) Assignee: **Hong Ann Tool Industries Co., Ltd.,** D706,106 S * 6/2014 Chen D8/86
Taichung (TW) 8,973,473 B2 * 3/2015 Su B25B 15/005
81/177.85
(**) Term: **15 Years** D725,984 S * 4/2015 Moss D8/86

* cited by examiner

(21) Appl. No.: **29/530,178**

(22) Filed: **Jun. 15, 2015**

(51) **LOC (10) Cl.** **08-05**

(52) **U.S. Cl.**
USPC **D8/86**

(58) **Field of Classification Search**
USPC .. D8/70, 82, 85-87, 105; D15/139; 81/53.2,
436, 438, 460-461
CPC B23B 2251/66; B23P 15/00; B25B 13/06;
B25B 13/5091; B25B 15/00; B25B
15/001; B25B 15/002; B25B
15/004; B25B 15/005; B25B
15/008; B25B 15/02; B25B 15/04; B25B
17/00; B25B 21/007; B25B 23/00; B25B
23/0035; B25B 23/005; B25B 23/12;
B25B 23/1405; B25B 27/18; B25B
31/12; B25B 51/08; B25B 51/108
See application file for complete search history.

(56) **References Cited**

U.S. PATENT DOCUMENTS

D445,325 S * 7/2001 Fruhm D8/86

Primary Examiner — Randall Gholson
(74) *Attorney, Agent, or Firm* — Alan D. Kamrath;
Kamrath IP Lawfirm, P.A.

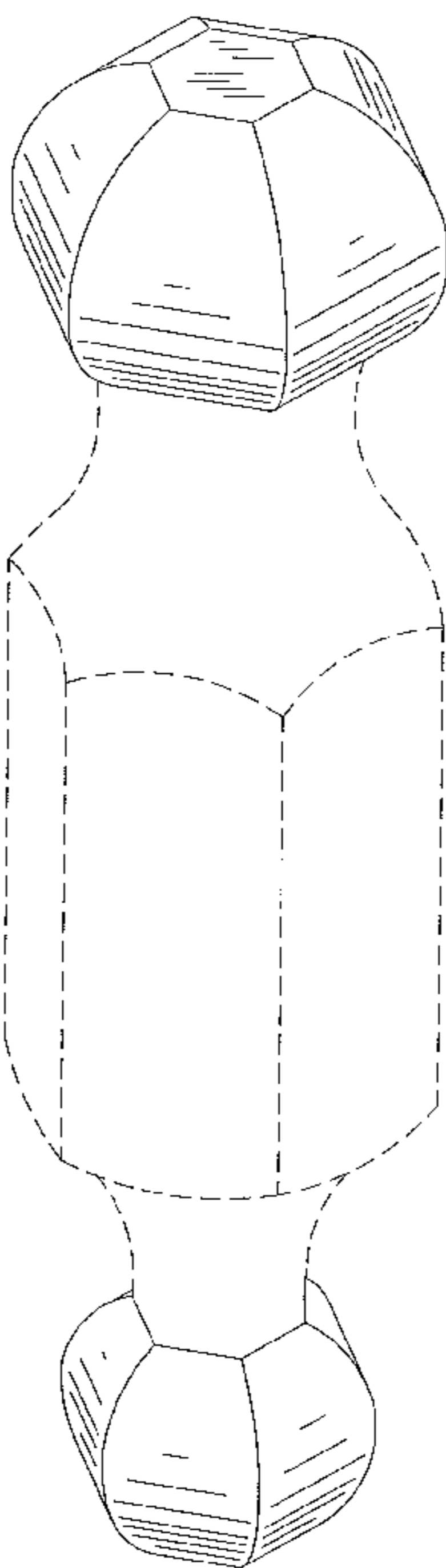
(57) **CLAIM**

The ornamental design for tool, as shown and described.

DESCRIPTION

FIG. 1 is a perspective view of a tool showing my new design;
FIG. 2 is a front view thereof;
FIG. 3 is a left side view thereof;
FIG. 4 is a top side view thereof; and,
FIG. 5 is a bottom side view thereof.
The broken lines depict portions of the tool that forms no part of the claimed design.

1 Claim, 4 Drawing Sheets



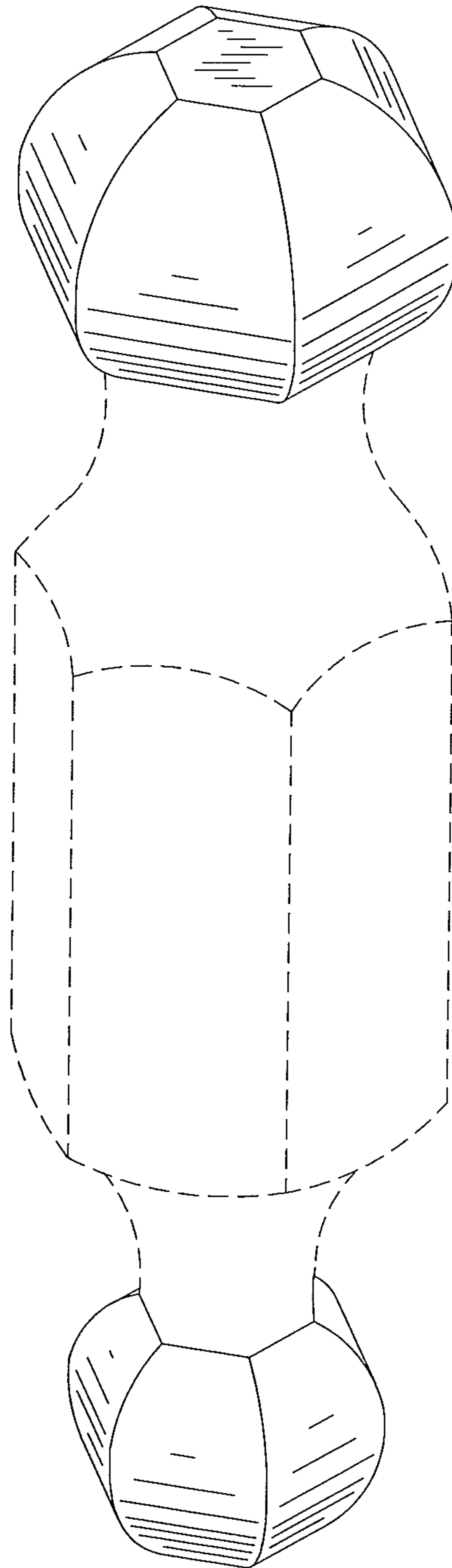


FIG. 1

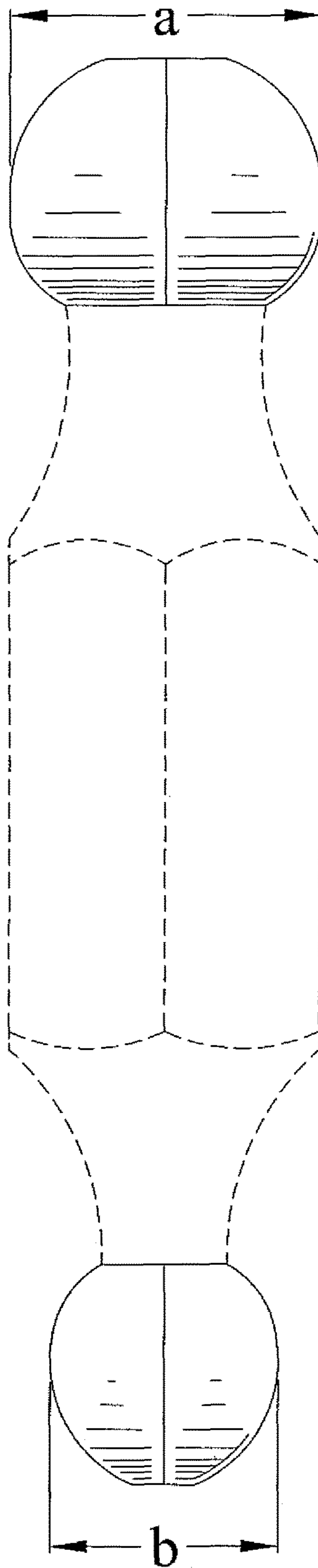


FIG. 2

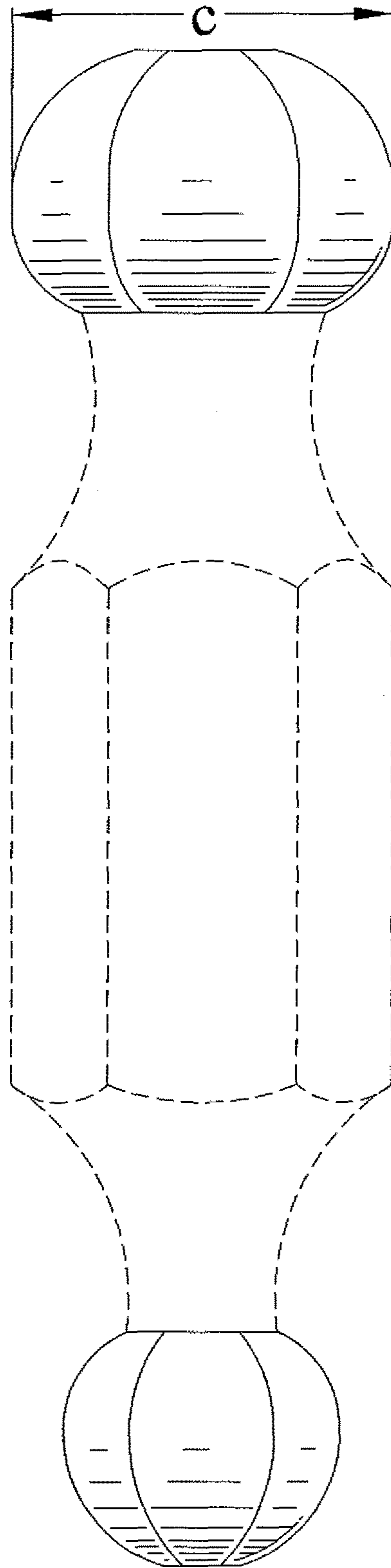


FIG. 3

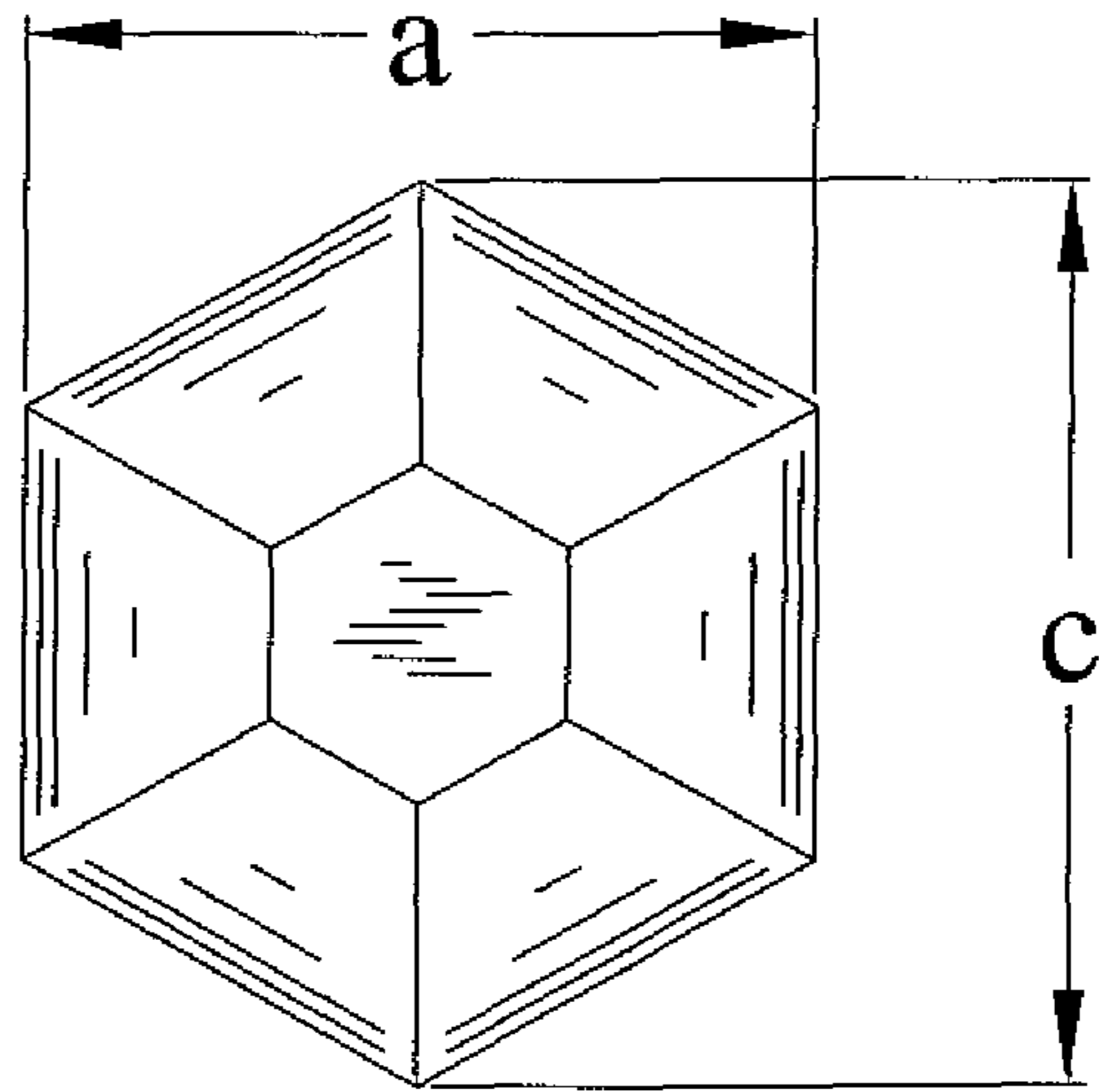


FIG. 4

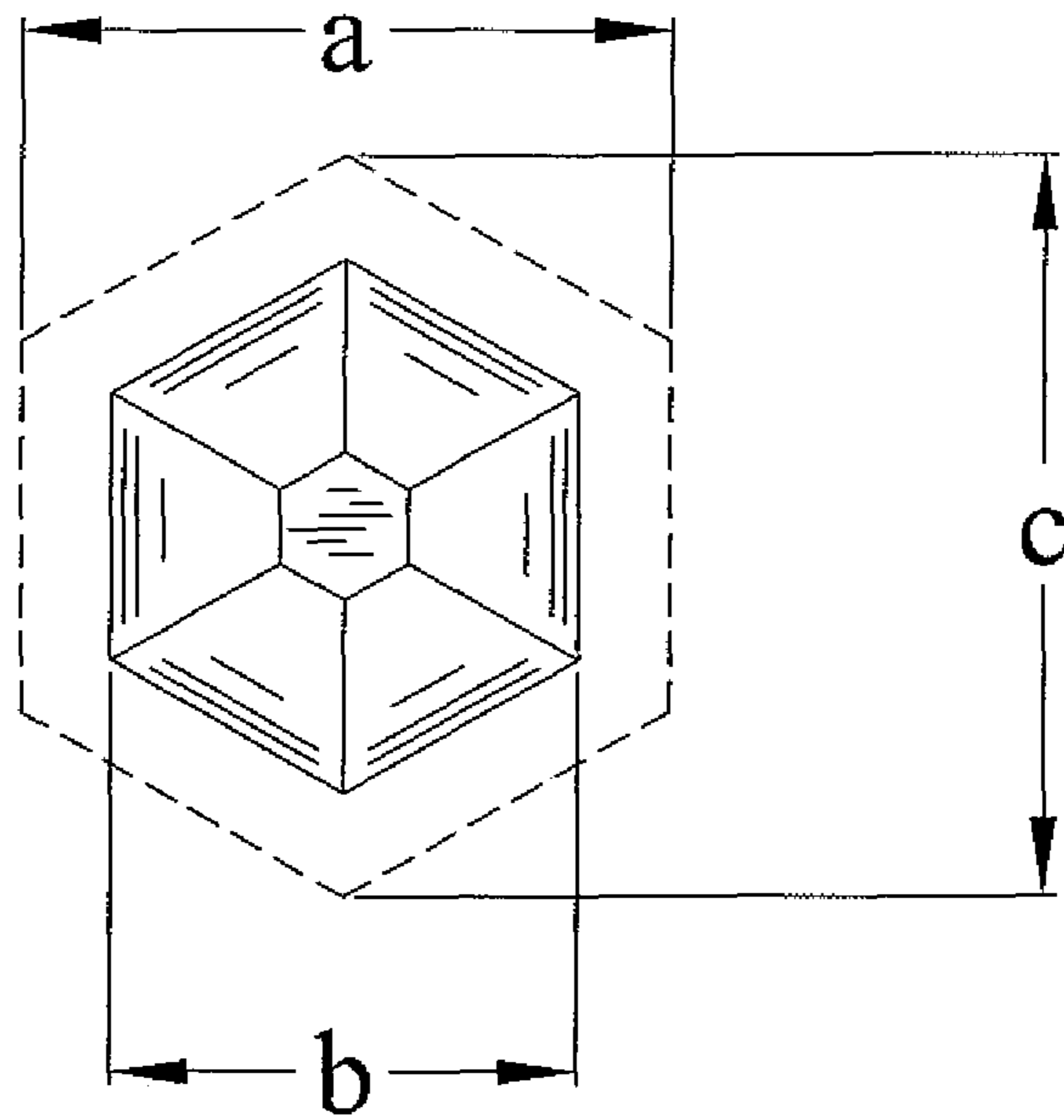


FIG. 5