



US00D773267S

(12) **United States Design Patent** (10) **Patent No.:** **US D773,267 S**
Yen (45) **Date of Patent:** **** Dec. 6, 2016**

- (54) **TIN SNIP**
- (71) Applicant: **Cheng Hsing Yen**, Taichung (TW)
- (72) Inventor: **Cheng Hsing Yen**, Taichung (TW)
- (**) Term: **15 Years**
- (21) Appl. No.: **29/539,823**
- (22) Filed: **Sep. 17, 2015**
- (51) **LOC (10) Cl.** **08-05**
- (52) **U.S. Cl.**
USPC **D8/52**
- (58) **Field of Classification Search**
USPC D8/4, 5, 51-60
CPC B23D 29/026; B23D 29/005; B23D 29/02;
B26B 13/26; B26B 13/28; B26B 13/06;
B26B 13/00; B26B 17/02; A01G 3/02
See application file for complete search history.

D618,078 S *	6/2010	Cripps	D8/52
D631,322 S *	1/2011	Wong	D8/107
9,346,178 B2 *	5/2016	Tsai	B26B 13/26
2009/0172954 A1 *	7/2009	Novak	B23D 29/026
				30/244
2014/0360024 A1 *	12/2014	Schneider	B26B 13/28
				30/252
2016/0185000 A1 *	6/2016	Huang	B26B 13/16
				30/262

* cited by examiner

Primary Examiner — Deanna L Pratt

(74) *Attorney, Agent, or Firm* — Wang Law Firm, Inc.

(57) **CLAIM**

The ornamental design for a tin snip, as shown and described.

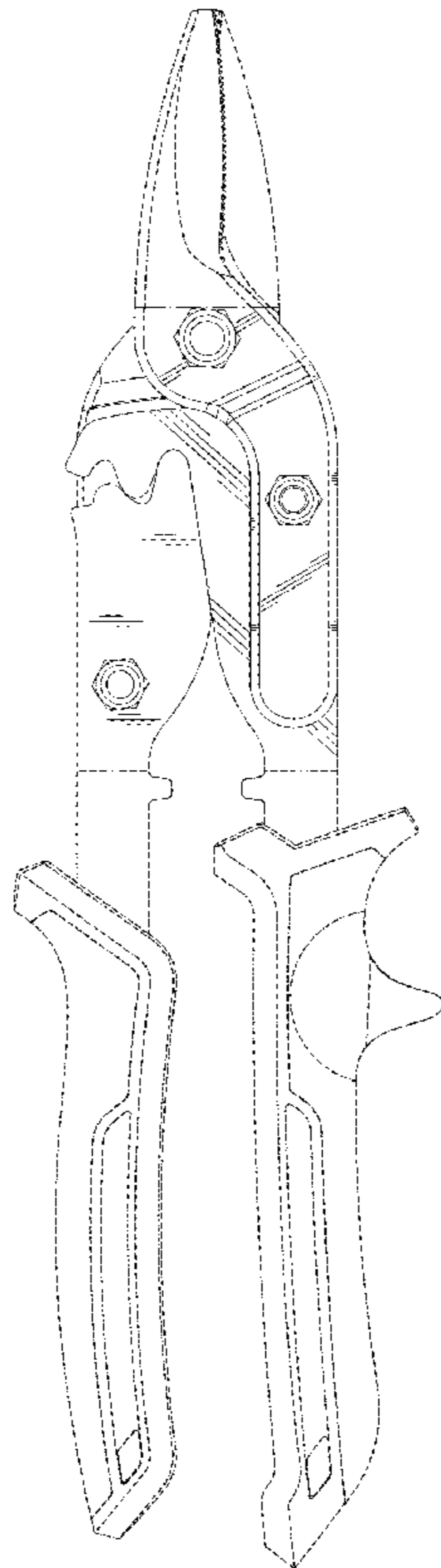
DESCRIPTION

FIG. 1 is a perspective view of a tin snip showing my new design;
 FIG. 2 is a front elevational view thereof;
 FIG. 3 is a rear elevational view thereof;
 FIG. 4 is a left side view thereof;
 FIG. 5 is a right side view thereof;
 FIG. 6 is a top plain view thereof; and,
 FIG. 7 is a bottom plain view thereof.
 The dash-dot-dash broken lines illustrate the bounds of the claim and form no part thereof. The evenly-spaced broken lines illustrate portions of the tin snip that form no part of the claimed design.

1 Claim, 7 Drawing Sheets

(56) **References Cited**
 U.S. PATENT DOCUMENTS

D169,114 S *	3/1953	Thober	30/92
D416,456 S *	11/1999	Pomeroy	D8/52
D453,458 S *	2/2002	Huang	D8/57
D547,629 S *	7/2007	Beckwith	D8/57
D553,928 S *	10/2007	Zhou	D8/57
D564,320 S *	3/2008	Zhou	D8/57
D579,745 S *	11/2008	Huang	D8/107



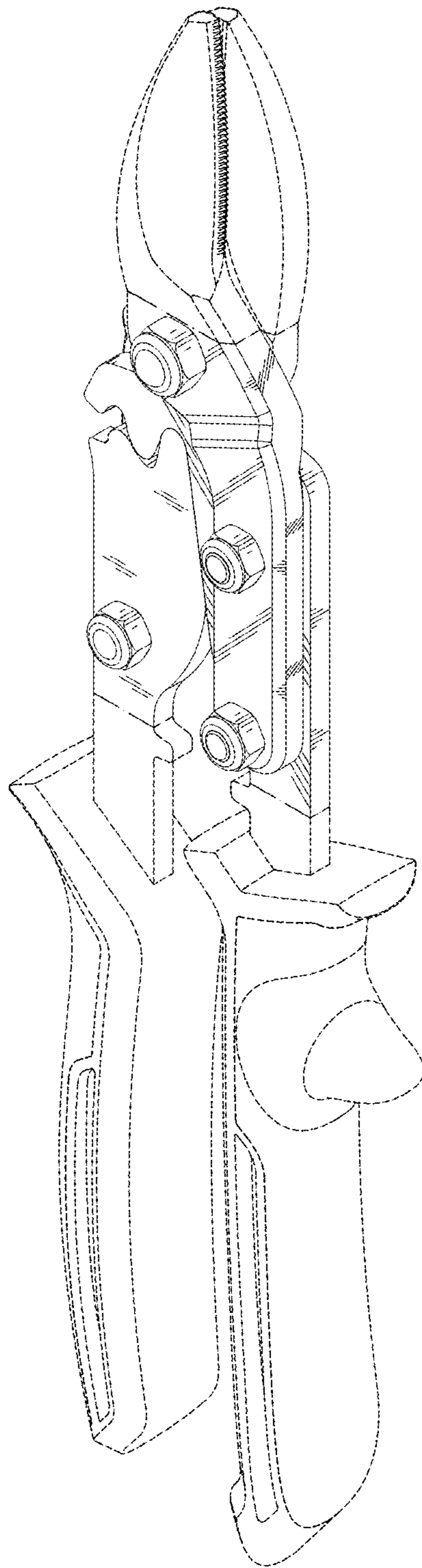


FIG. 1

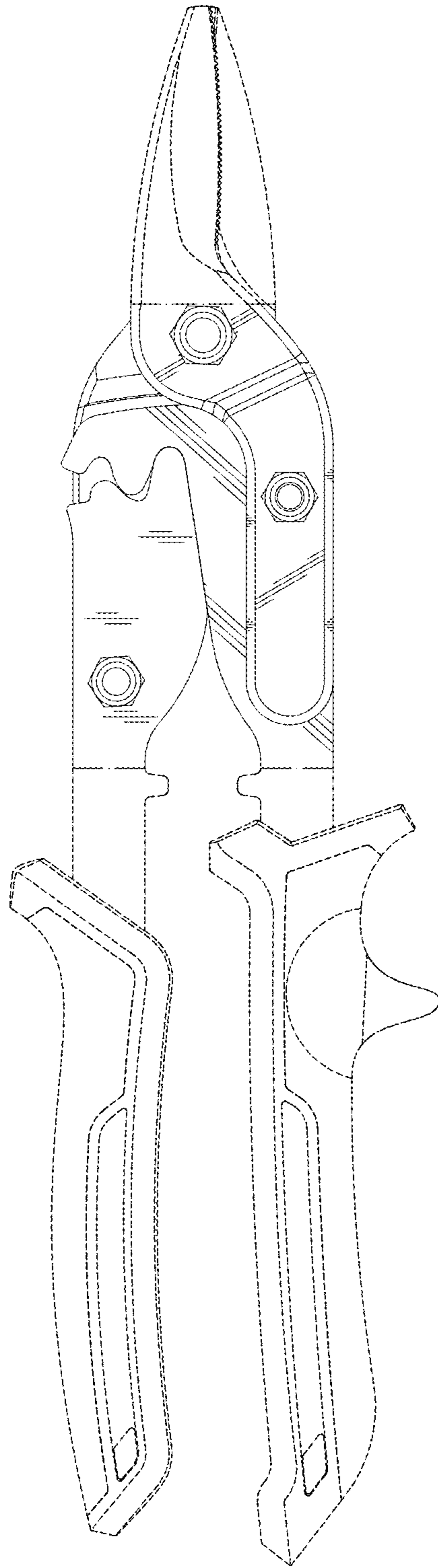


FIG. 2

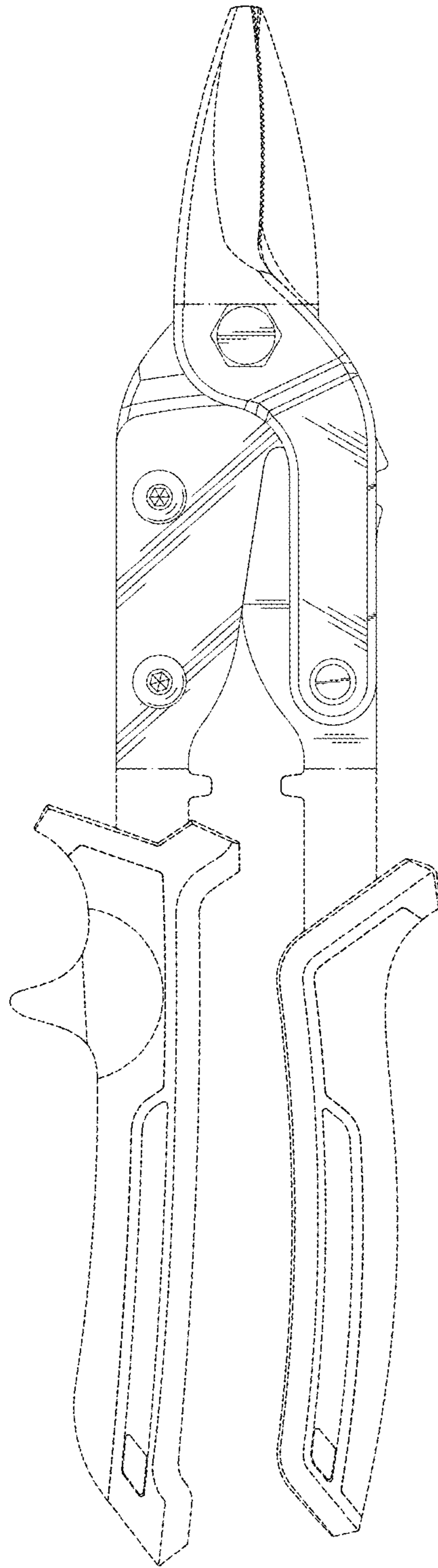


FIG. 3

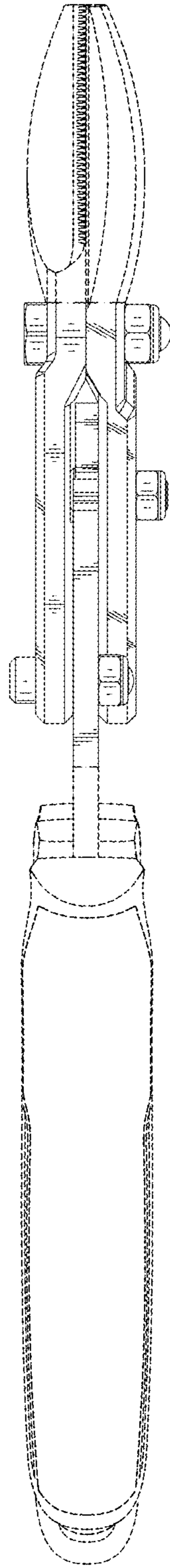


FIG. 4

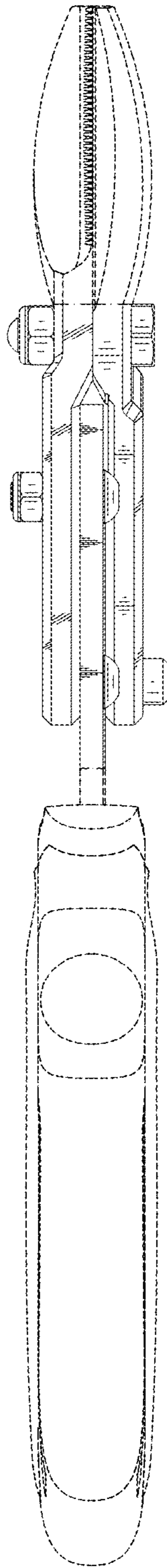


FIG. 5

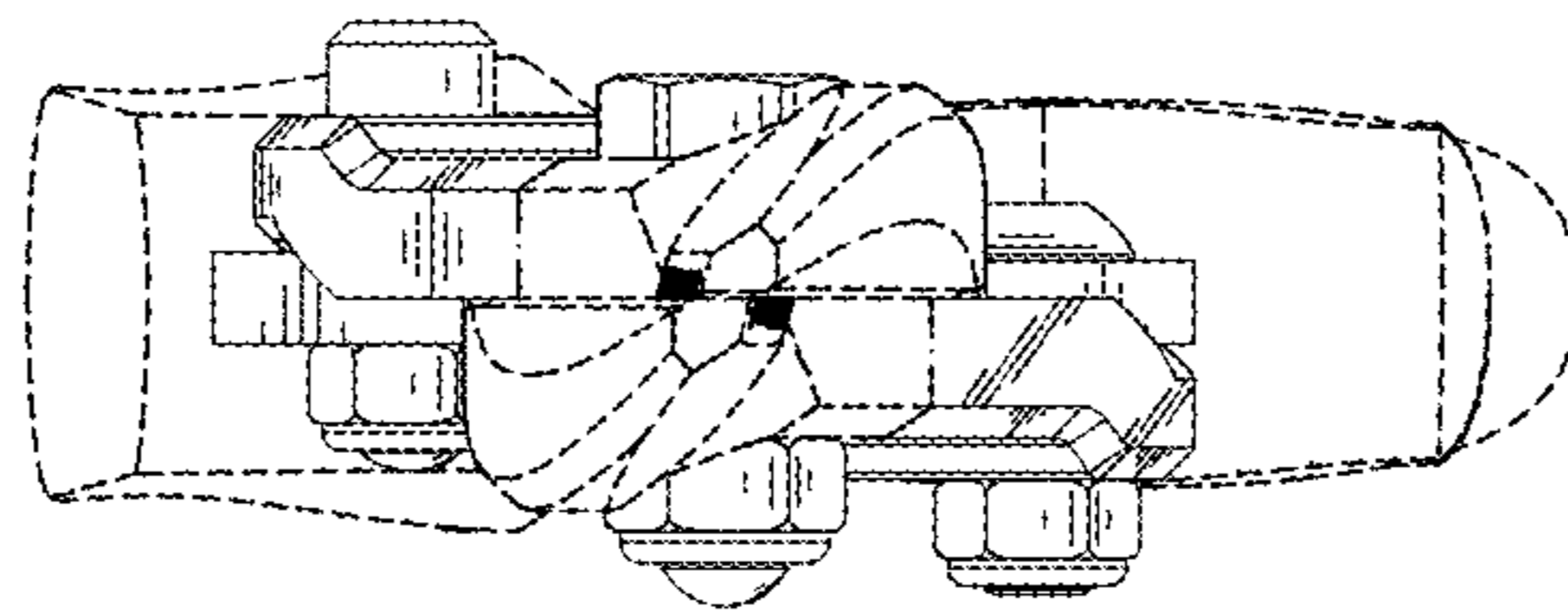


FIG. 6

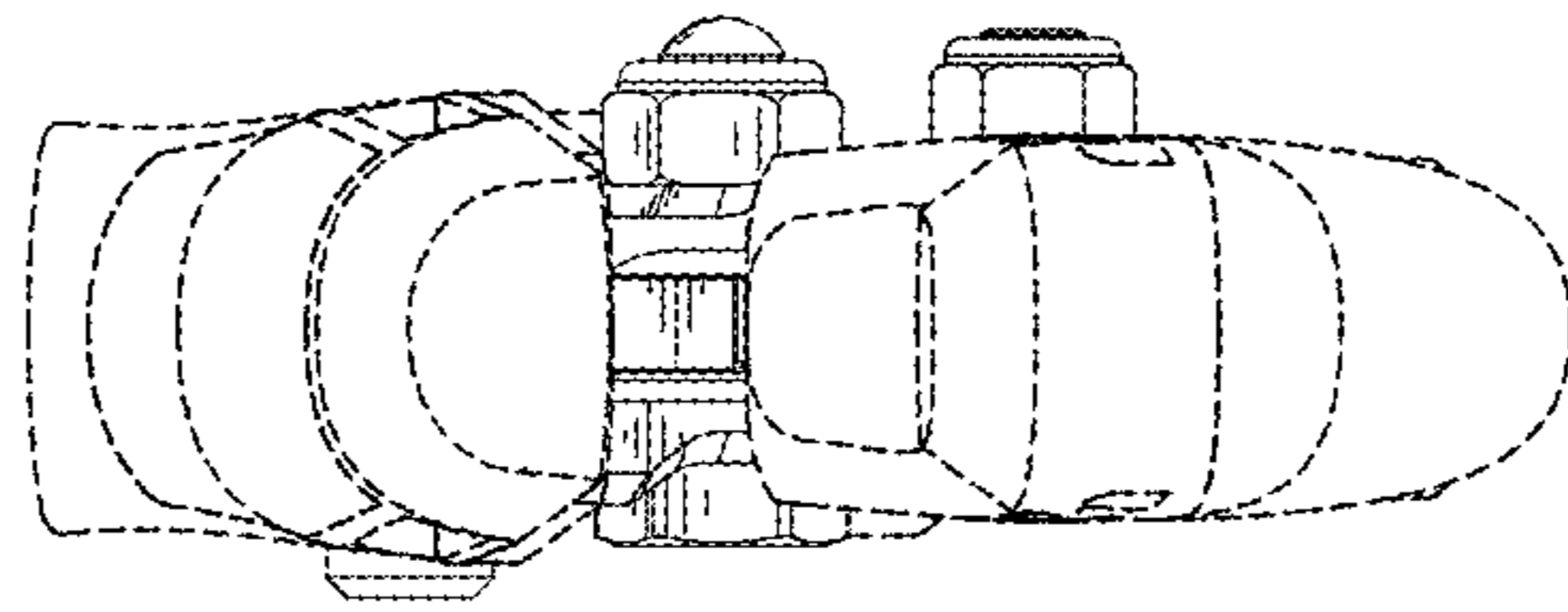


FIG. 7