



US00D773265S

(12) **United States Design Patent** (10) **Patent No.:** **US D773,265 S**
Chen (45) **Date of Patent:** **** Dec. 6, 2016**

(54) **RATCHET WRENCH**

(71) Applicant: **Chia-Yu Chen**, Taichung (TW)

(72) Inventor: **Chia-Yu Chen**, Taichung (TW)

(**) Term: **15 Years**

(21) Appl. No.: **29/543,010**

(22) Filed: **Oct. 20, 2015**

(51) **LOC (10) Cl.** **08-05**

(52) **U.S. Cl.**
USPC **D8/25**

(58) **Field of Classification Search**
USPC D8/17, 21-29; 81/58, 58.2, 119, 124.4,
81/125.1, 186, 121.1, 60, 63.1
CPC B25B 13/02; B25B 13/08; B25B 13/04;
B25B 13/065; B25B 13/46; B25B 13/463
See application file for complete search history.

(56) **References Cited**

U.S. PATENT DOCUMENTS

6,752,046 B1 * 6/2004 Lee B25B 13/461
81/177.85
D509,717 S * 9/2005 Folkenroth D8/25

D547,151 S * 7/2007 Lin D8/25
D558,544 S * 1/2008 Liao D8/25
D576,457 S * 9/2008 Chen D8/27

* cited by examiner

Primary Examiner — Randall Gholson
(74) *Attorney, Agent, or Firm* — Ming Chow; Sinorica, LLC

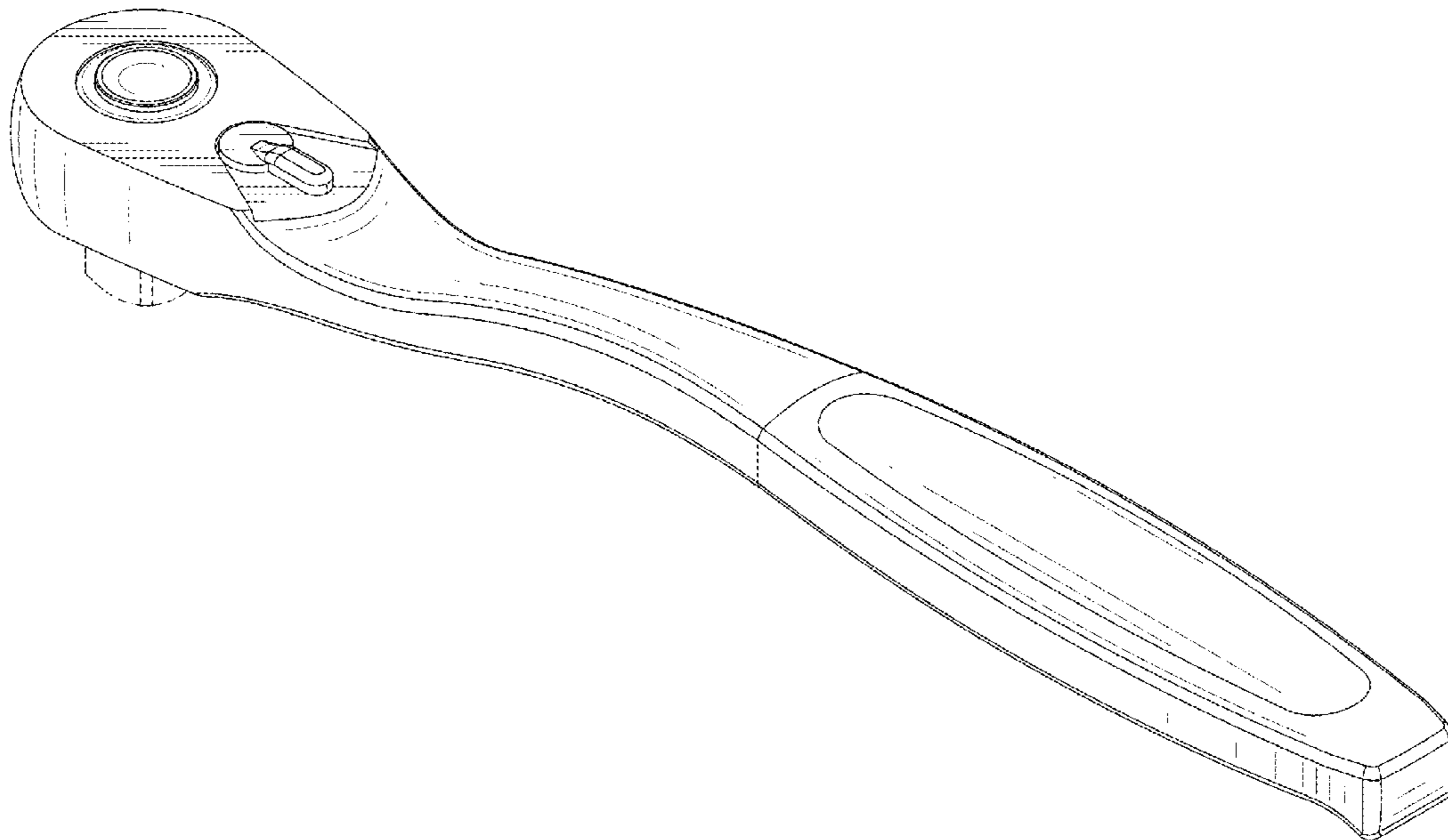
(57) **CLAIM**

I claim the ornamental design for a ratchet wrench, as shown and described.

DESCRIPTION

FIG. 1 is a front perspective view of a ratchet wrench showing my new design;
FIG. 2 is a front elevational view thereof;
FIG. 3 is a rear elevational view thereof;
FIG. 4 is a left side elevational view thereof;
FIG. 5 is a right side elevational view thereof;
FIG. 6 is a top plan view thereof;
FIG. 7 is a bottom plan view thereof; and,
FIG. 8 is another front perspective view.
The broken lines depict portions of the ratchet wrench that form no part of the claimed design.

1 Claim, 5 Drawing Sheets



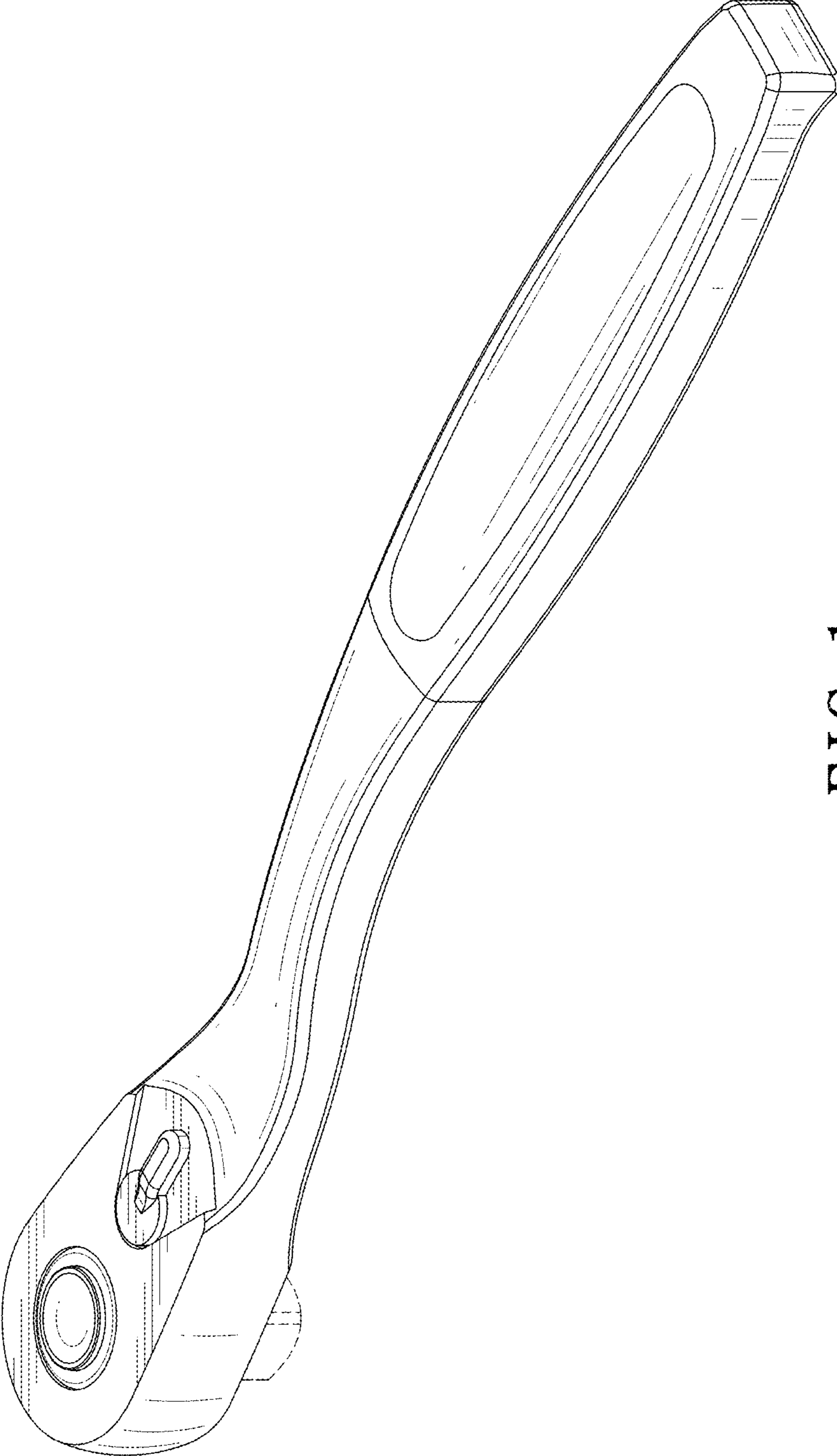


FIG. 1

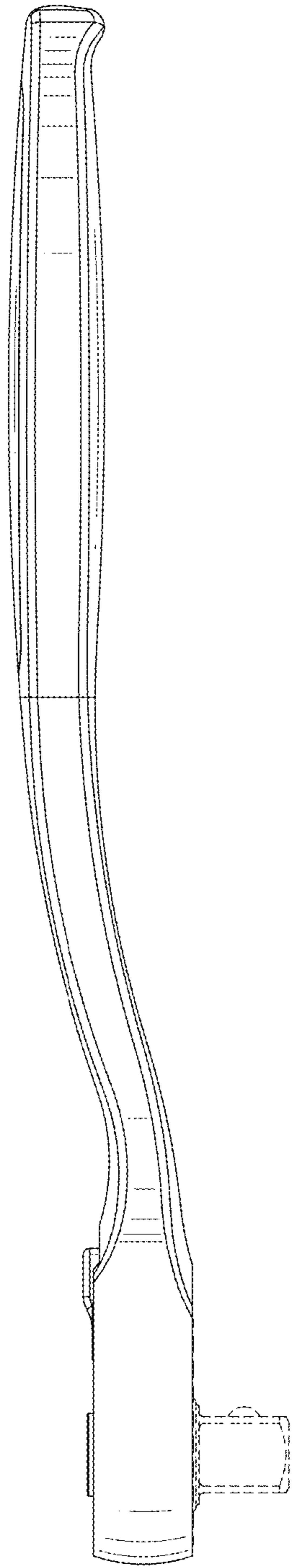


FIG. 2

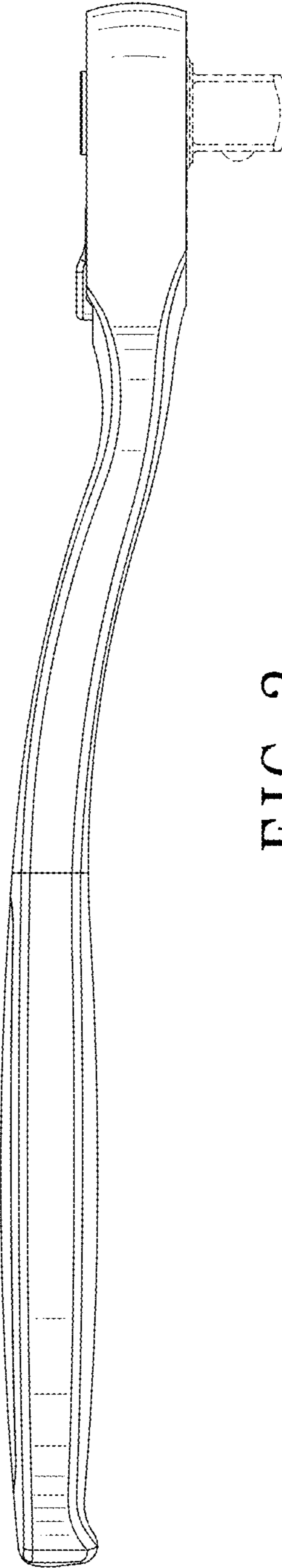


FIG. 3

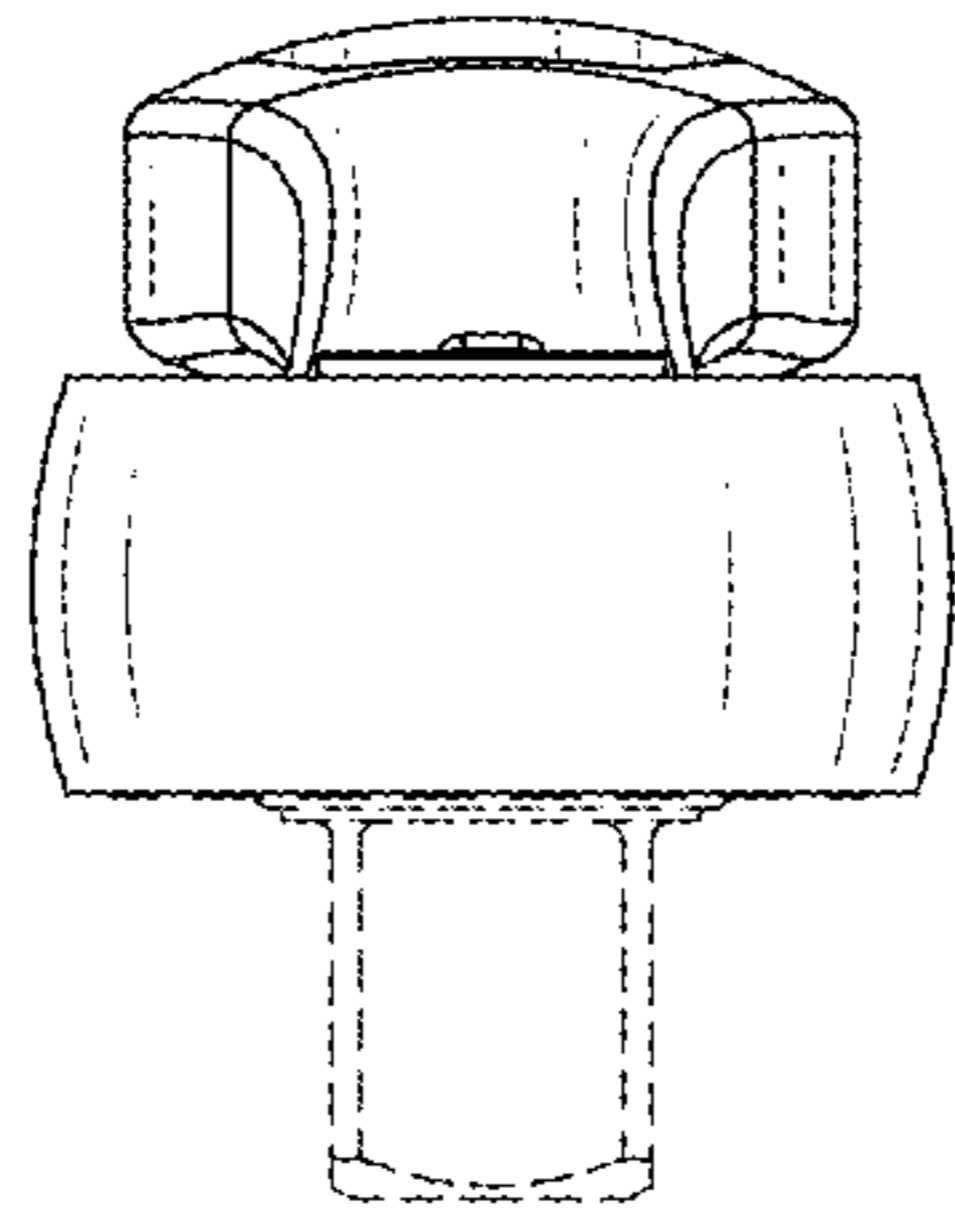


FIG. 4

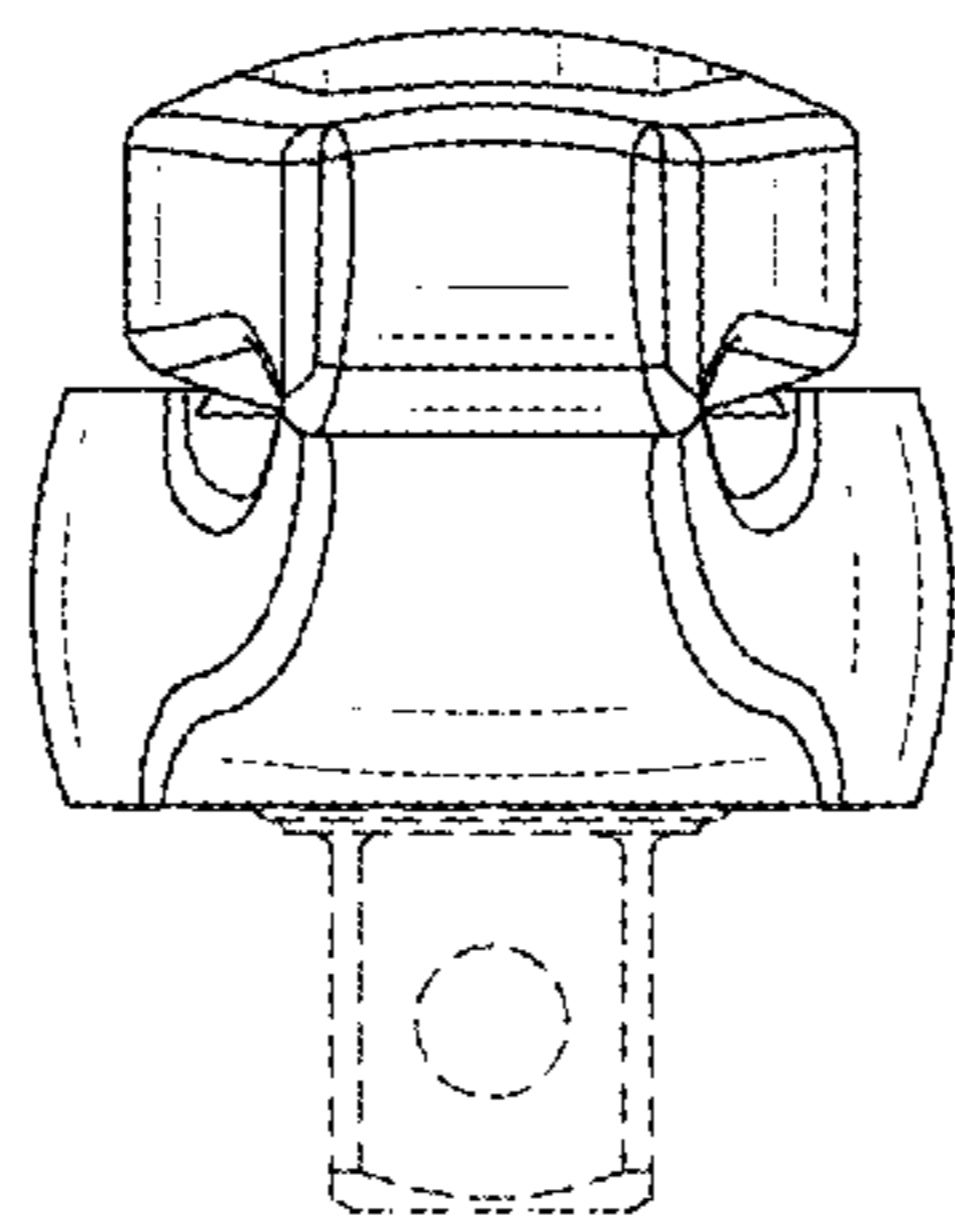


FIG. 5

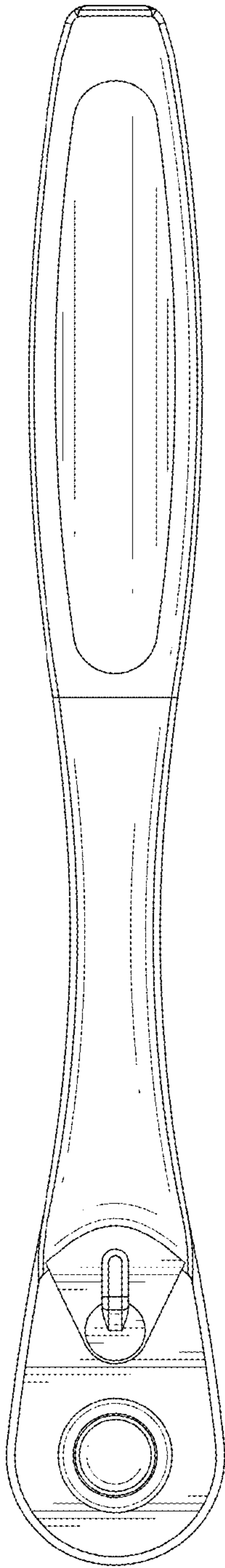


FIG. 6

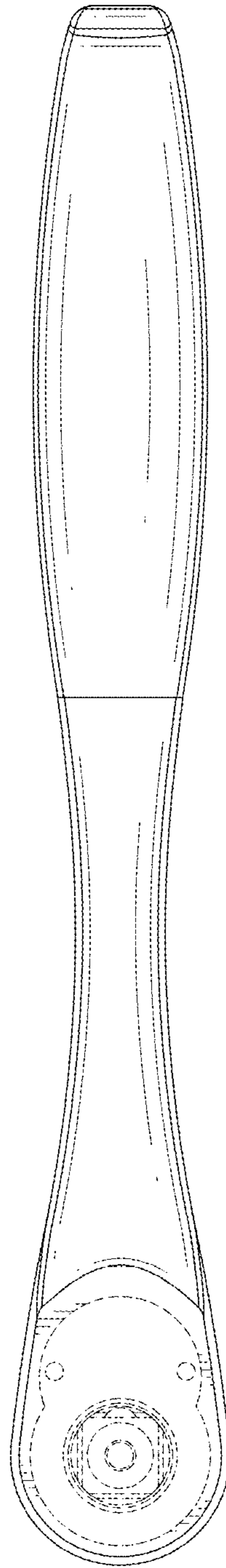


FIG. 7

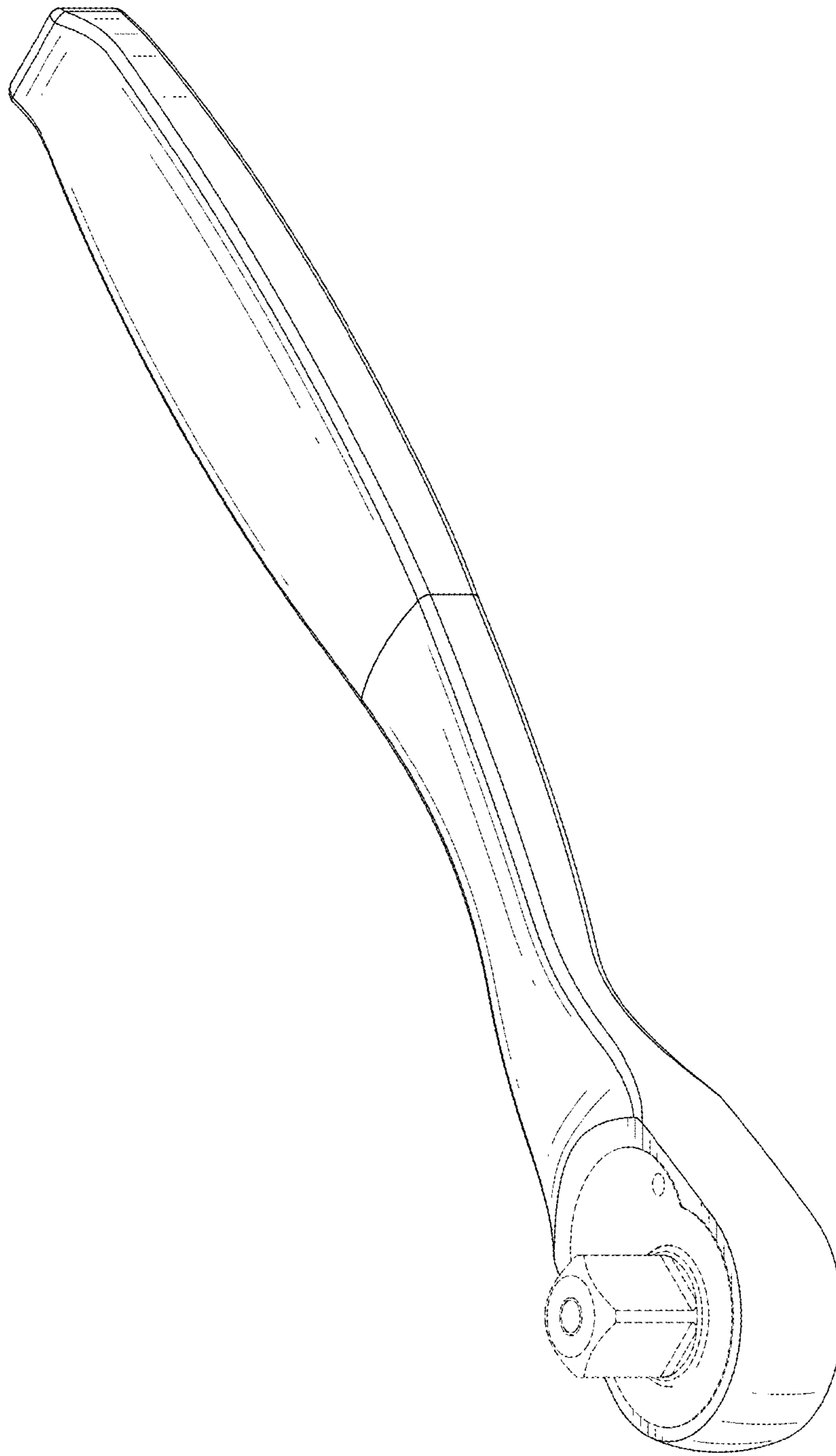


FIG. 8