



US00D773256S

(12) **United States Design Patent**  
**Plant**

(10) **Patent No.:** **US D773,256 S**

(45) **Date of Patent:** **\*\* Dec. 6, 2016**

(54) **KNIFE BLOCK**

(71) Applicant: **McPHERSON'S HOUSEWARES IP  
PTY LTD**, Kingsgrove (AU)

(72) Inventor: **Annette Plant**, Kingsgrove (AU)

(73) Assignee: **MCPHERSON'S HOUSEWARES IP  
PTY LTD**, New South Wales,  
Kingsgrove (AU)

(\*\*) Term: **14 Years**

(21) Appl. No.: **29/522,651**

(22) Filed: **Apr. 1, 2015**

(30) **Foreign Application Priority Data**

Oct. 2, 2014 (AU) ..... 201415070

(51) **LOC (10) Cl.** ..... **07-07**

(52) **U.S. Cl.**  
USPC ..... **D7/637**

(58) **Field of Classification Search**

USPC ..... D7/631, 637-641; D19/65, 75, 81-85;  
76/82, 84, 86; 211/13.1, 60.1, 70, 70.6,  
211/70.7; 248/37.3, 37.6; 451/552  
CPC ..... A47F 5/16; A47F 7/00; A47G 21/00;  
A47G 21/14; B26B 3/00; B26B 27/00  
See application file for complete search history.

(56) **References Cited**

**U.S. PATENT DOCUMENTS**

D108,747 S \* 3/1938 Hopkins ..... D7/641  
D141,565 S \* 6/1945 Hove ..... D7/637

D141,902 S \* 7/1945 Marateck ..... D6/519  
D141,960 S \* 8/1945 Glass ..... D7/637  
D338,376 S \* 8/1993 Ulber ..... D7/637  
D400,057 S \* 10/1998 Bounds ..... D7/637  
D444,355 S \* 7/2001 Tramontina ..... D7/631  
6,439,403 B1 \* 8/2002 Levsen ..... A47G 21/14  
211/70.7  
D564,304 S \* 3/2008 Koscicki ..... D7/637  
7,434,693 B2 \* 10/2008 Mosko ..... A47G 21/14  
206/553  
2005/0241984 A1 \* 11/2005 Mosko ..... A47G 21/14  
206/553  
2011/0283547 A1 \* 11/2011 Wang ..... A47G 21/14  
30/298.4

\* cited by examiner

*Primary Examiner* — Ian Simmons

*Assistant Examiner* — Jancie Lim

(74) *Attorney, Agent, or Firm* — Baker & Hostetler LLP

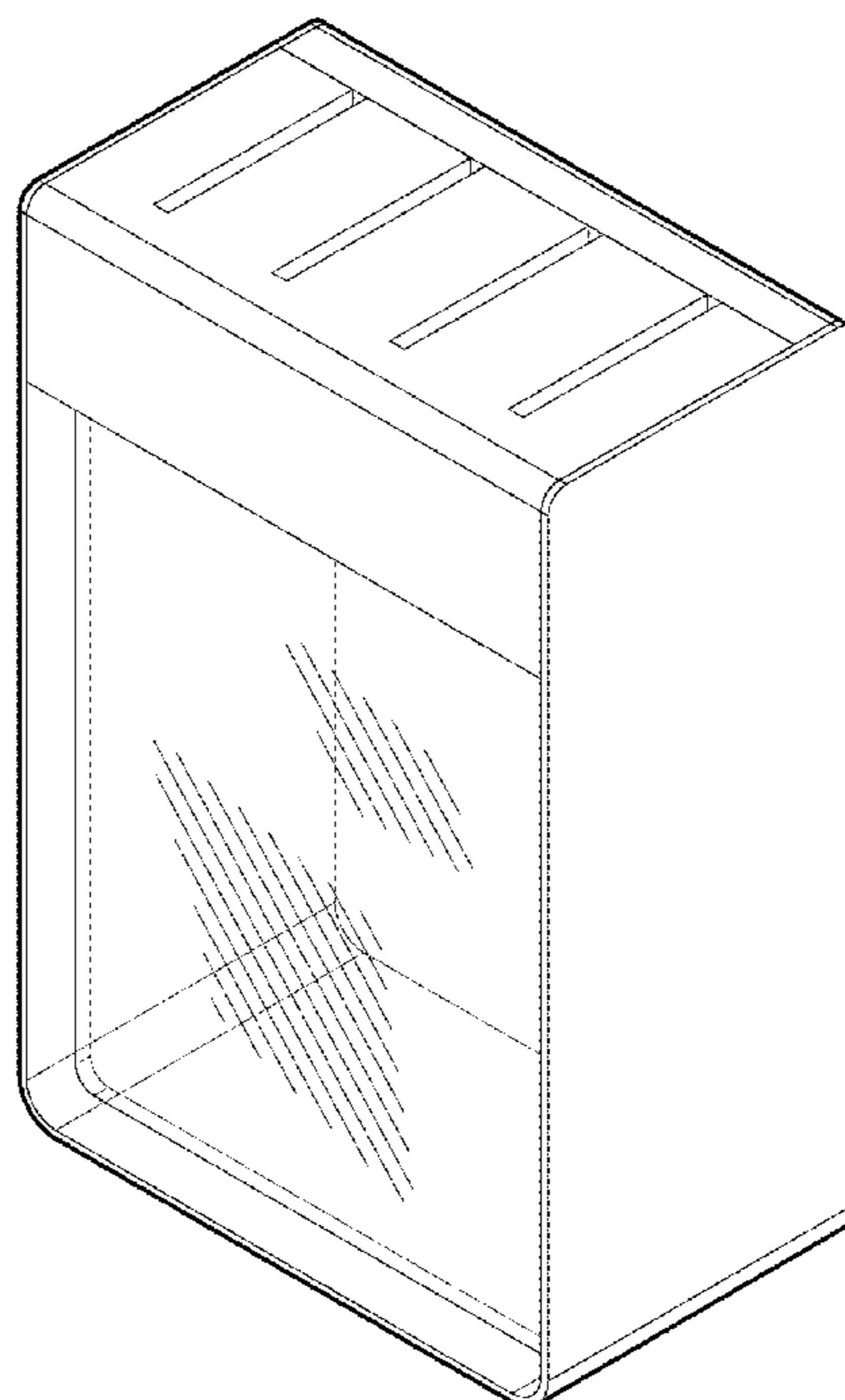
(57) **CLAIM**

The ornamental design for a knife block, as shown and described.

**DESCRIPTION**

FIG. 1 is a front perspective view of a knife block, showing my new design;  
FIG. 2 is a front elevation view thereof;  
FIG. 3 is a back elevation view thereof;  
FIG. 4 is a right side elevation view thereof, and the left side view being a mirror image thereof; and,  
FIG. 5 is a top plan view thereof.

**1 Claim, 5 Drawing Sheets**



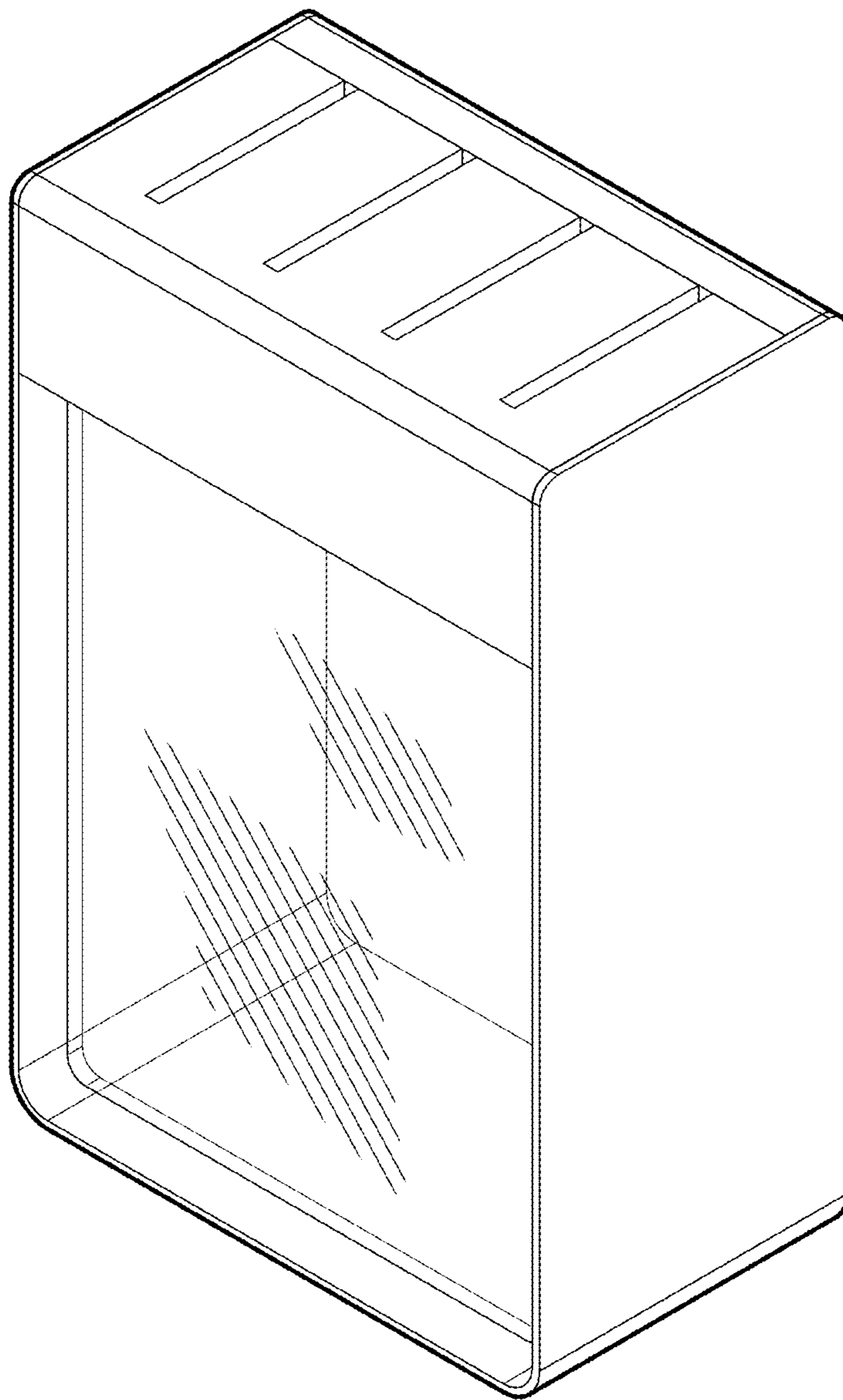


FIG. 1

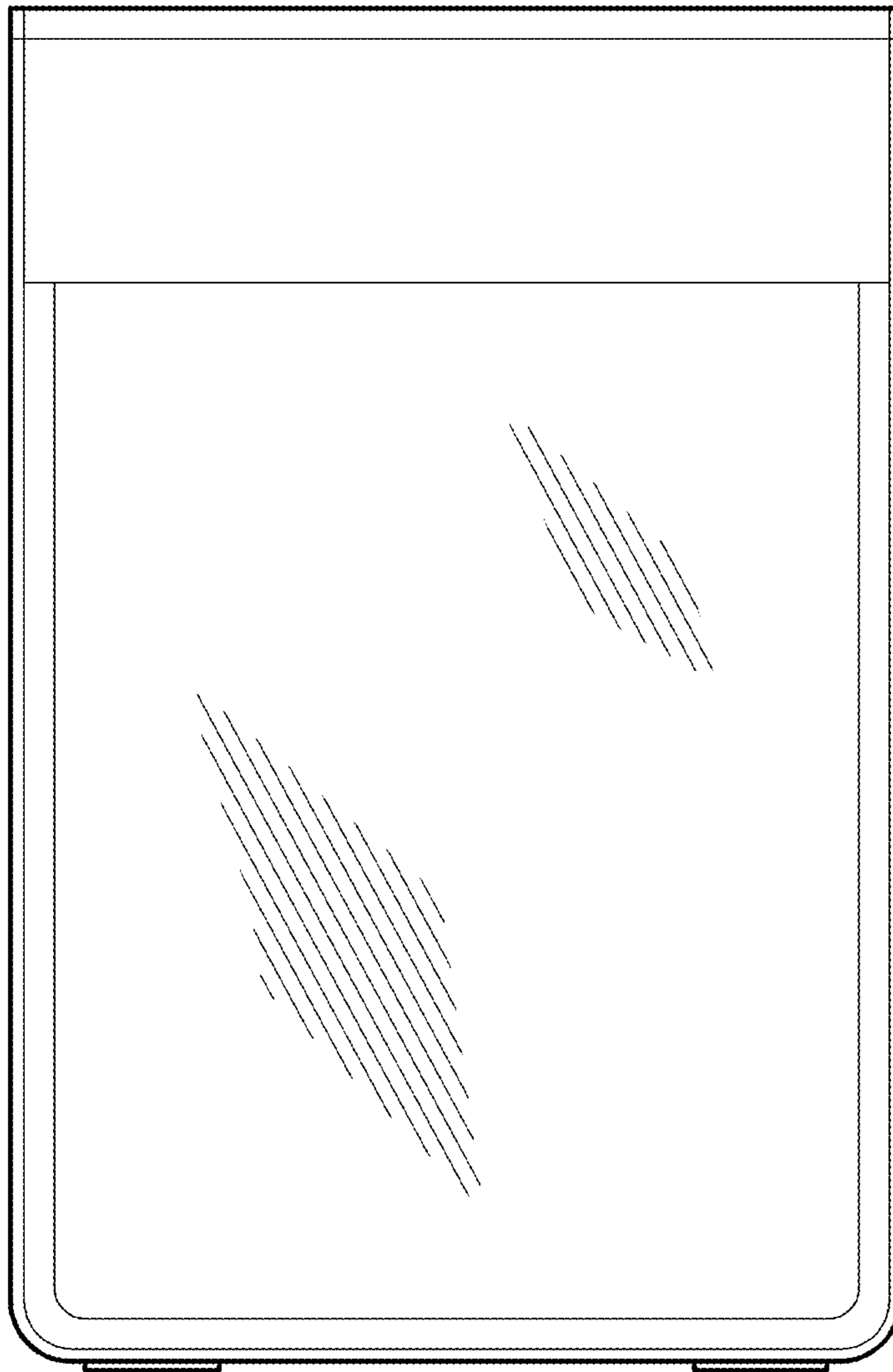


FIG. 2

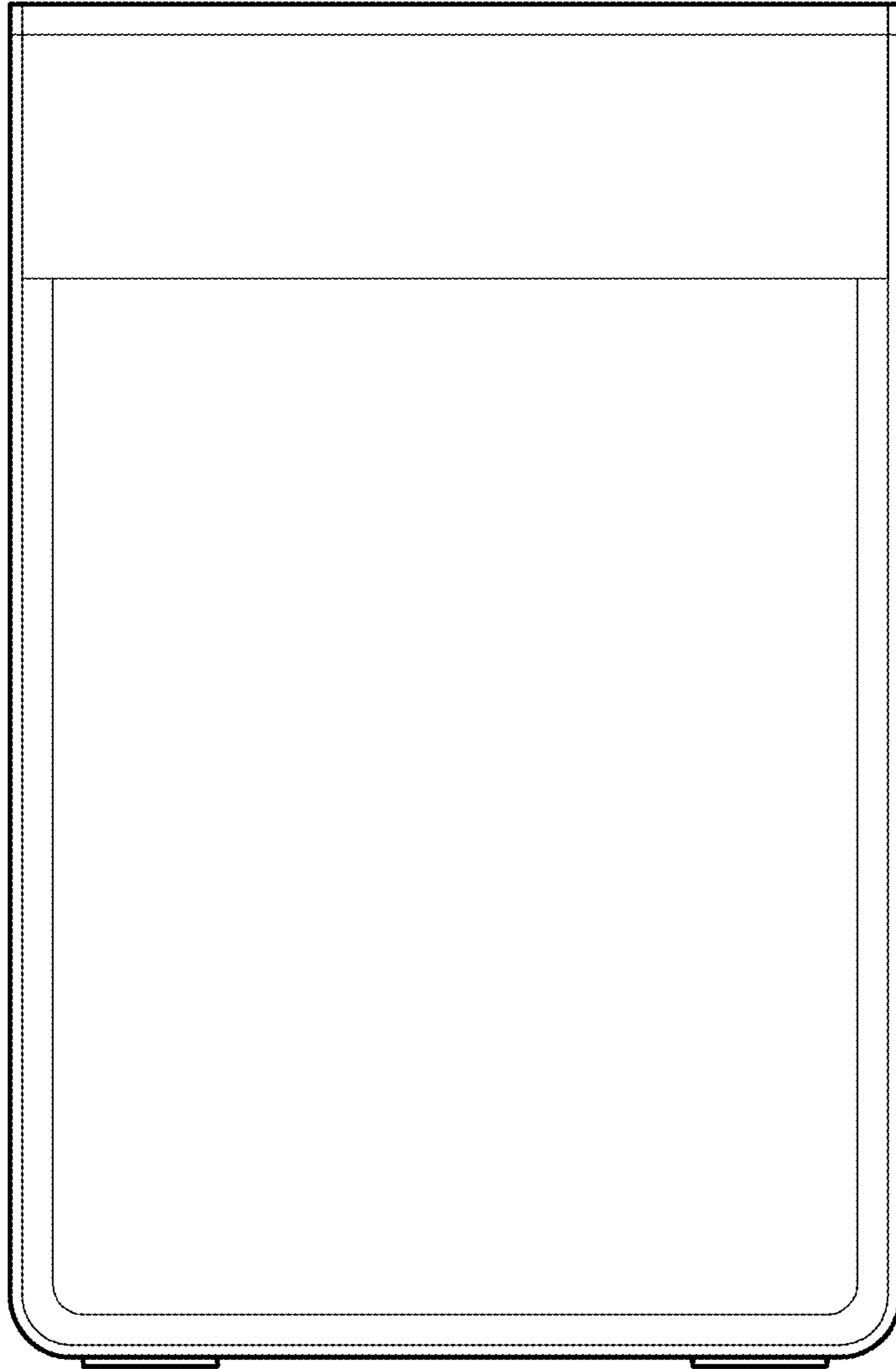


FIG. 3

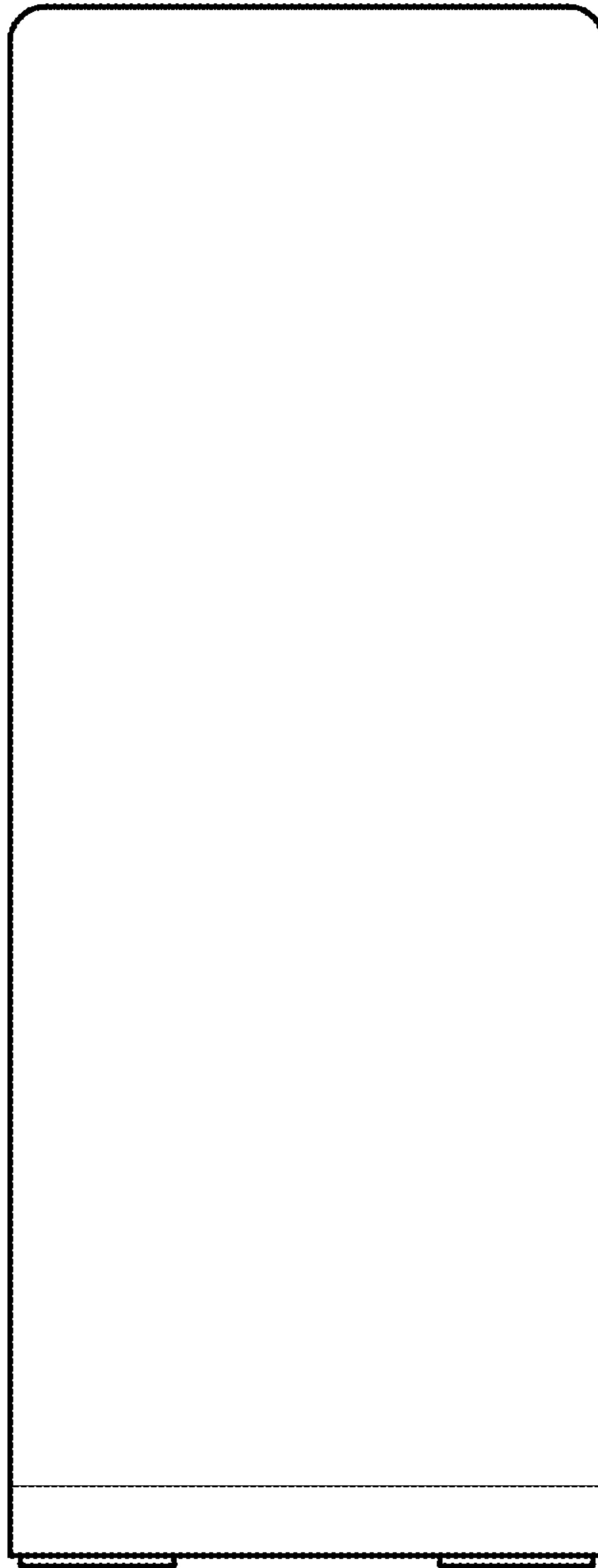


FIG. 4

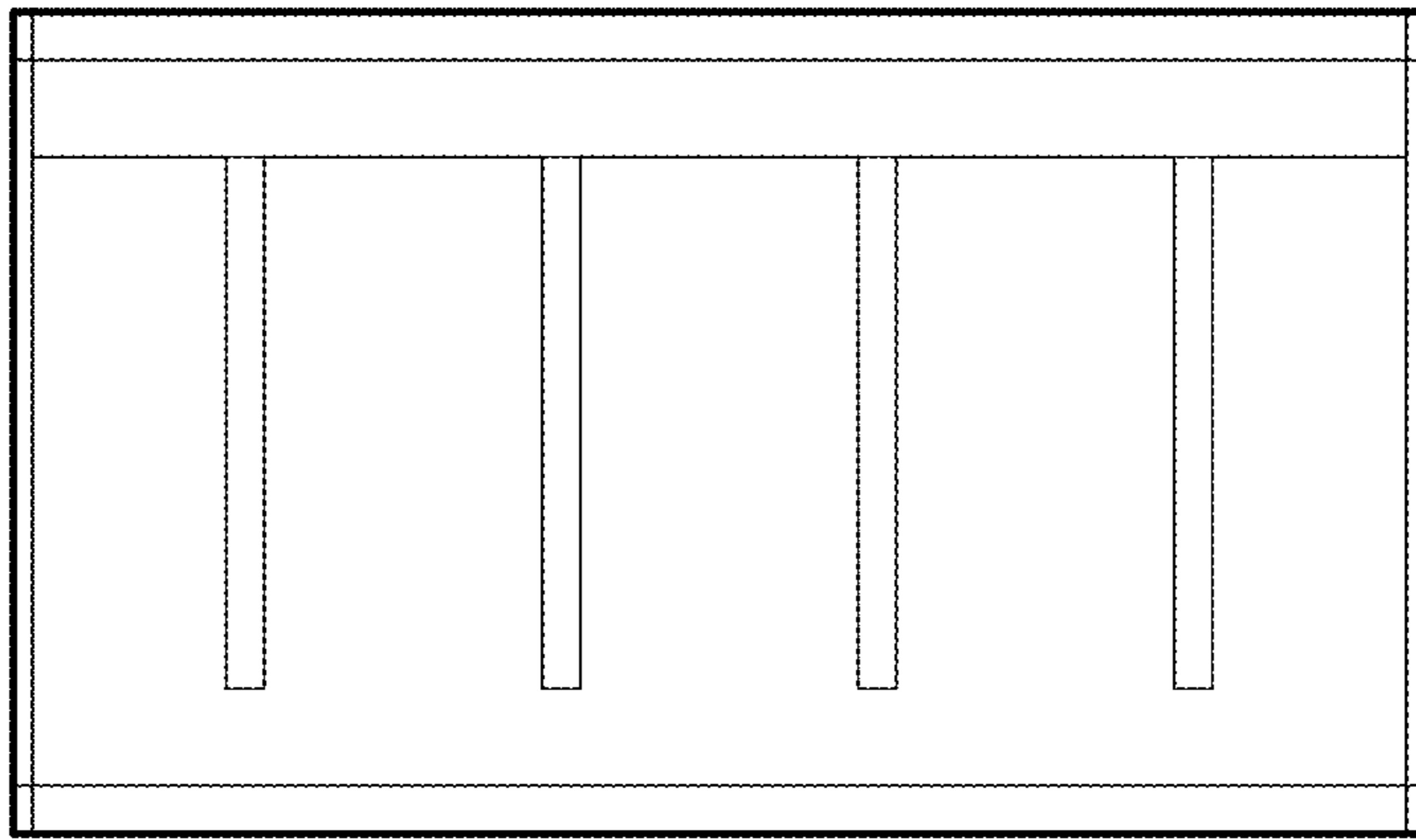


FIG. 5