



US00D773254S

(12) **United States Design Patent** (10) **Patent No.:** **US D773,254 S**  
**Jarvis et al.** (45) **Date of Patent:** **\*\* Dec. 6, 2016**

(54) **INSULATED BOX**  
(71) Applicant: **CAMBRO MANUFACTURING COMPANY**, Huntington Beach, CA (US)  
(72) Inventors: **Charles W. Jarvis**, Irvine, CA (US); **Pietro Brattoli**, Neckartenzlingen (DE)  
(73) Assignee: **CAMBRO MANUFACTURING COMPANY**, Huntington Beach, CA (US)  
(\*\*) Term: **15 Years**  
(21) Appl. No.: **29/539,646**  
(22) Filed: **Sep. 16, 2015**  
(51) **LOC (10) Cl.** ..... **07-01**  
(52) **U.S. Cl.**  
USPC ..... **D7/605**  
(58) **Field of Classification Search**  
USPC ..... D7/602-608, 619.1, 619.2, 629, 630, D7/709, 710  
CPC ..... A45C 11/20; A45C 5/14; A45C 5/03; A47B 77/08; B65D 8/18; B65D 5/48; B65D 21/00; B65D 21/08; B65D 6/16; B65D 21/083; B65D 81/38; B65D 81/3816; B65B 63/08; F25D 3/08; F25D 27/00; F25D 3/06; F25D 2331/804; F25D 11/003; H05B 3/06; B62B 2202/52; B62B 1/12; B67D 3/0067  
See application file for complete search history.

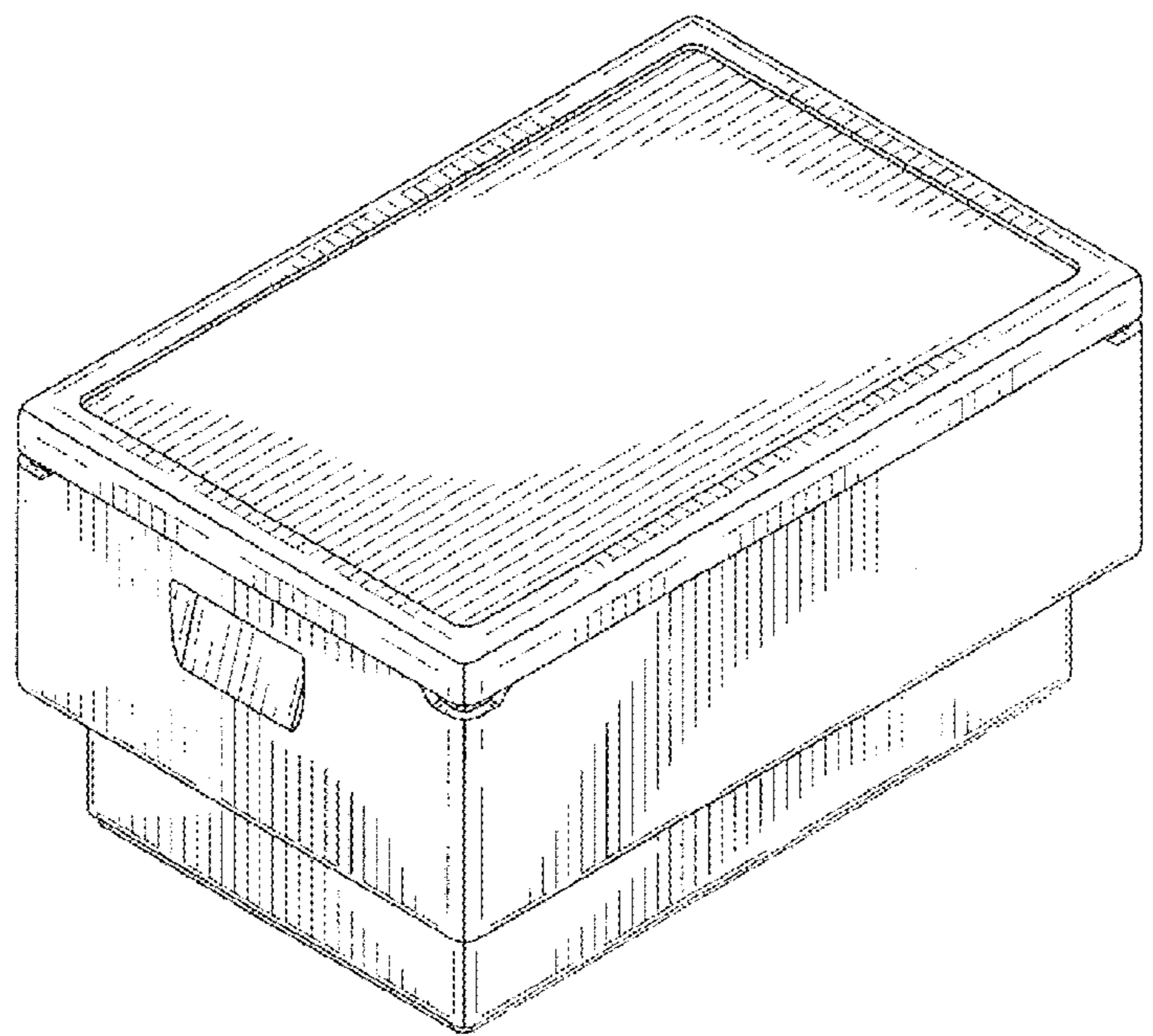
(56) **References Cited**  
U.S. PATENT DOCUMENTS  
4,759,190 A \* 7/1988 Trachtenberg ..... B60N 3/103 62/3.62  
6,966,450 B2 \* 11/2005 Askew ..... B65D 81/3816 220/529  
7,275,640 B2 \* 10/2007 Bourne ..... B65D 25/08 206/219  
D587,072 S \* 2/2009 Friedman ..... D7/605  
D634,982 S \* 3/2011 Melchert ..... D7/605  
2006/0279947 A1 \* 12/2006 Henley ..... F25D 27/00 362/154

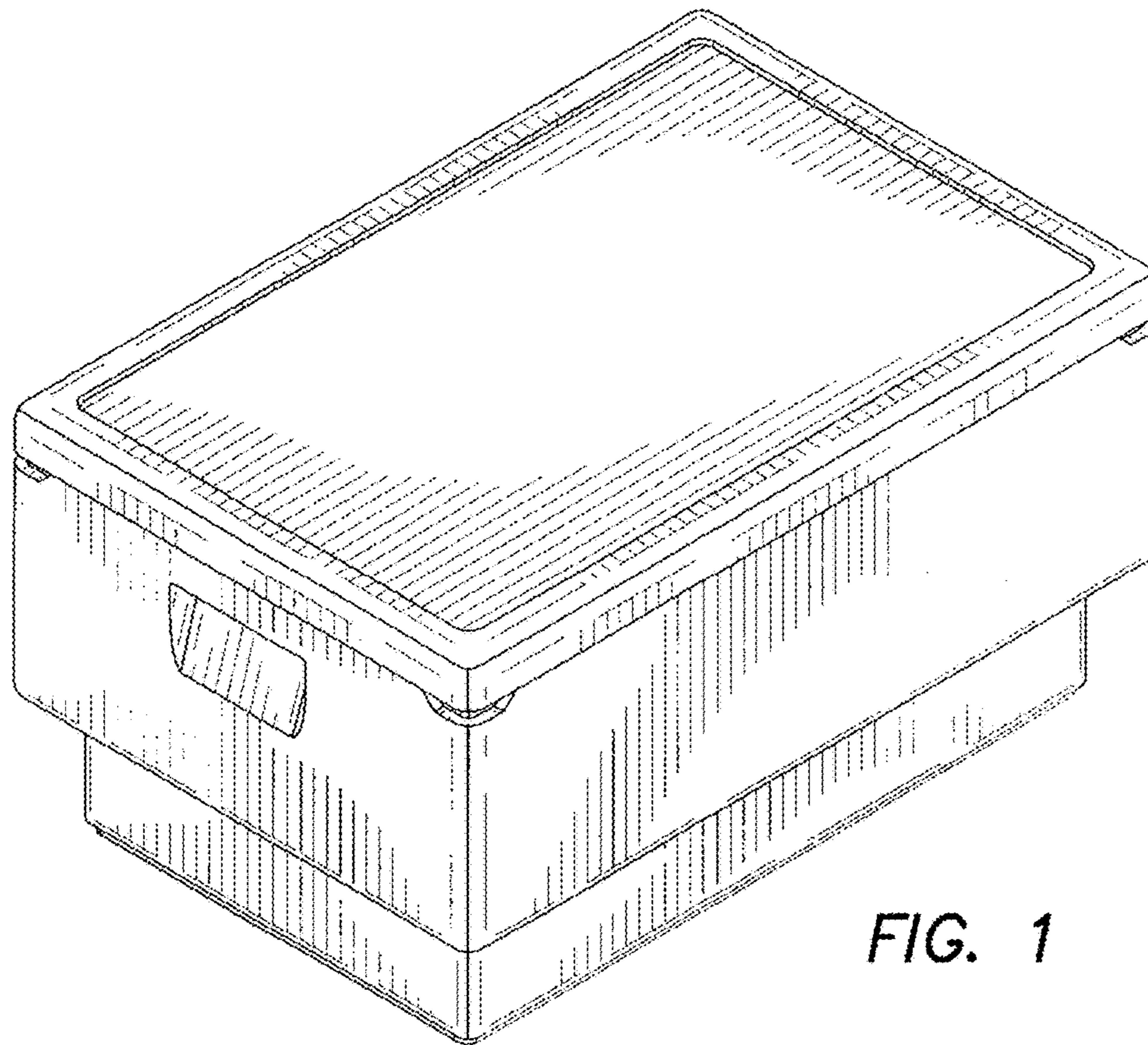
\* cited by examiner  
*Primary Examiner* — Freda S Nunn  
(74) *Attorney, Agent, or Firm* — George F. Bethel

(57) **CLAIM**  
We claim the ornamental design for an insulated box, as shown and described.

**DESCRIPTION**  
FIG. 1 is a frontal left side perspective view of the insulated box.  
FIG. 2 is a left side elevation view thereof.  
FIG. 3 is a front elevation view thereof.  
FIG. 4 is a top plan view thereof.  
FIG. 5 is a bottom plan view thereof.  
FIG. 6 is a right side elevation view thereof; and,  
FIG. 7 is a rear elevation view of the insulated box.

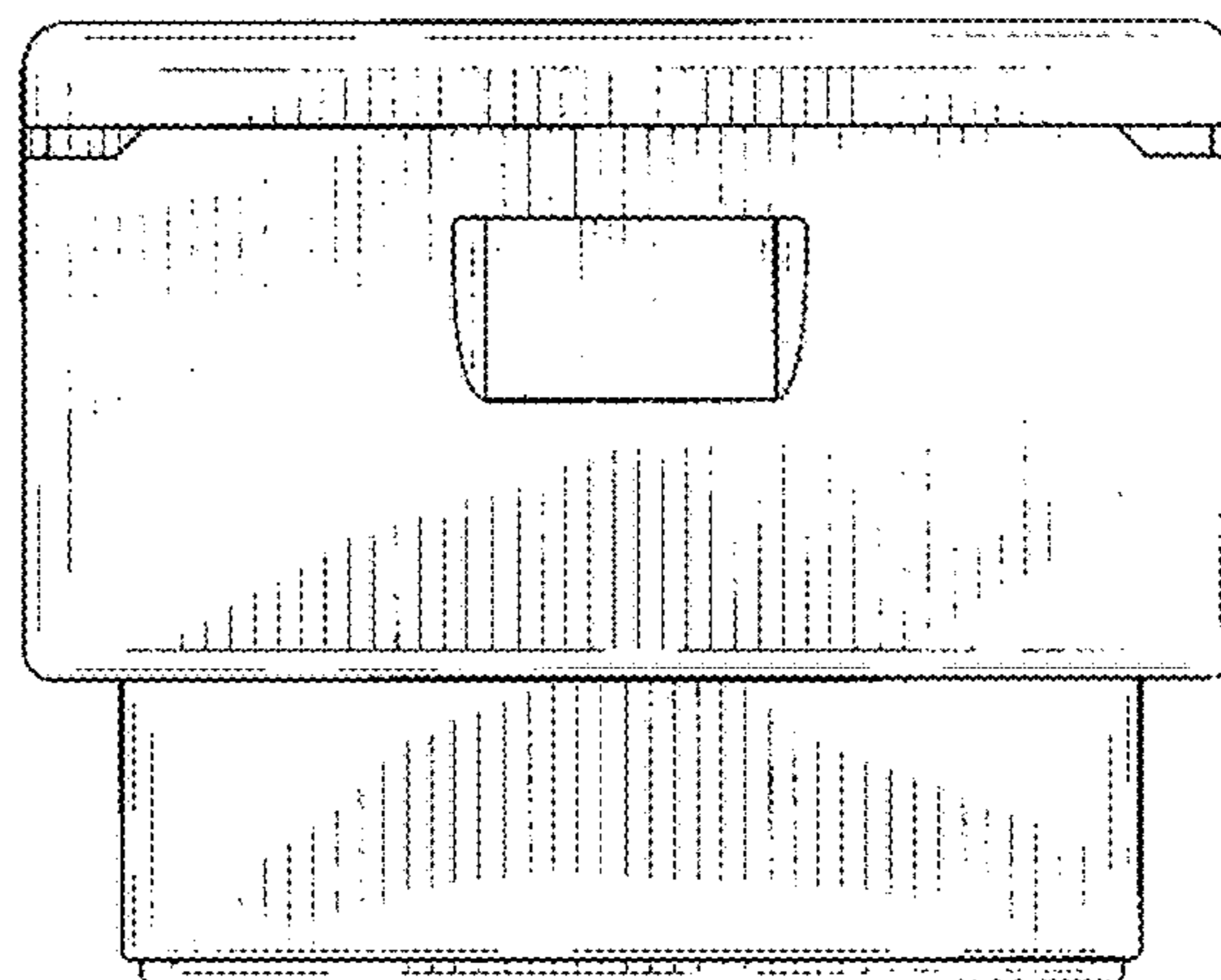
**1 Claim, 3 Drawing Sheets**





*FIG. 1*

*FIG. 2*



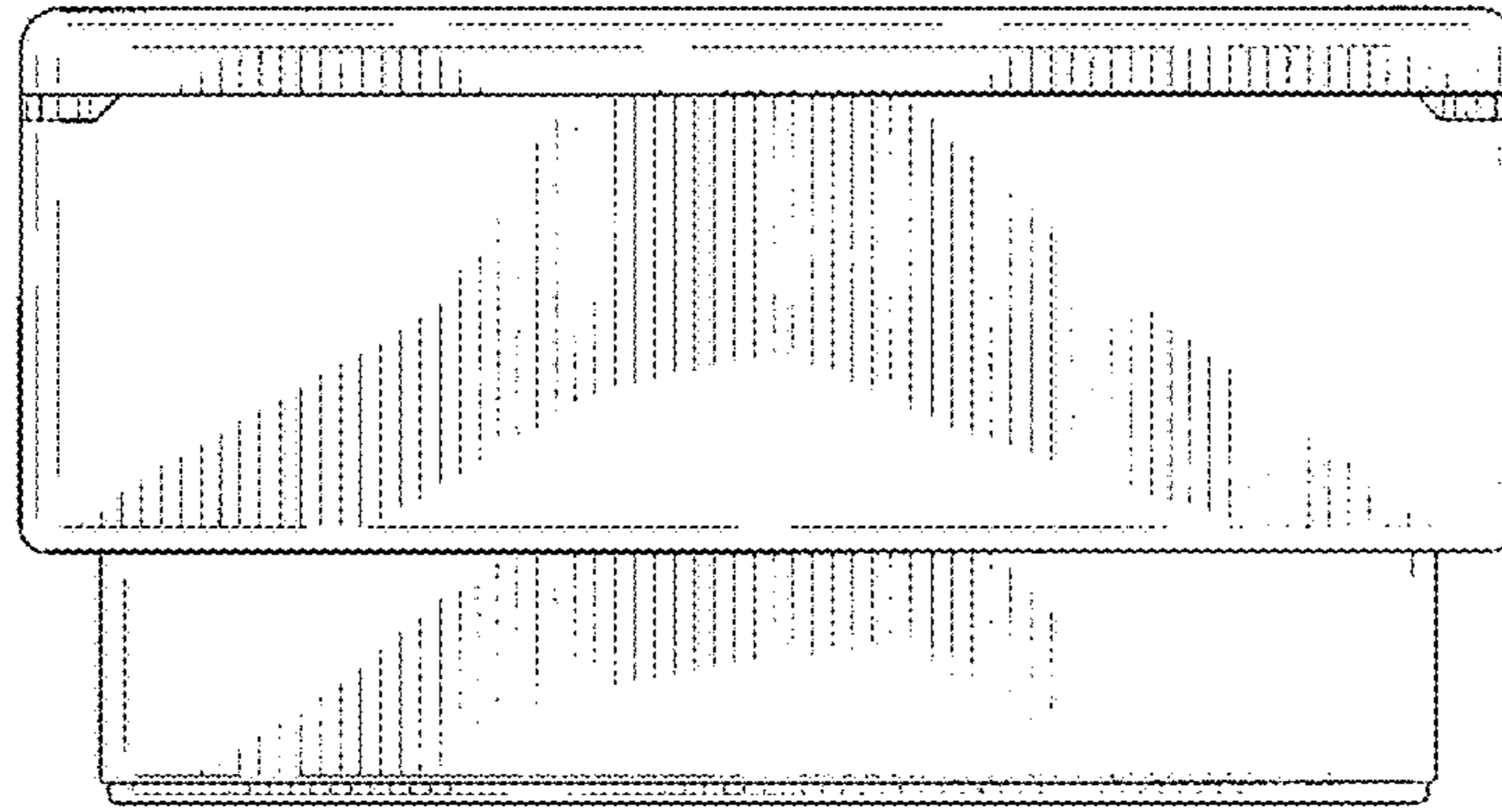


FIG. 3

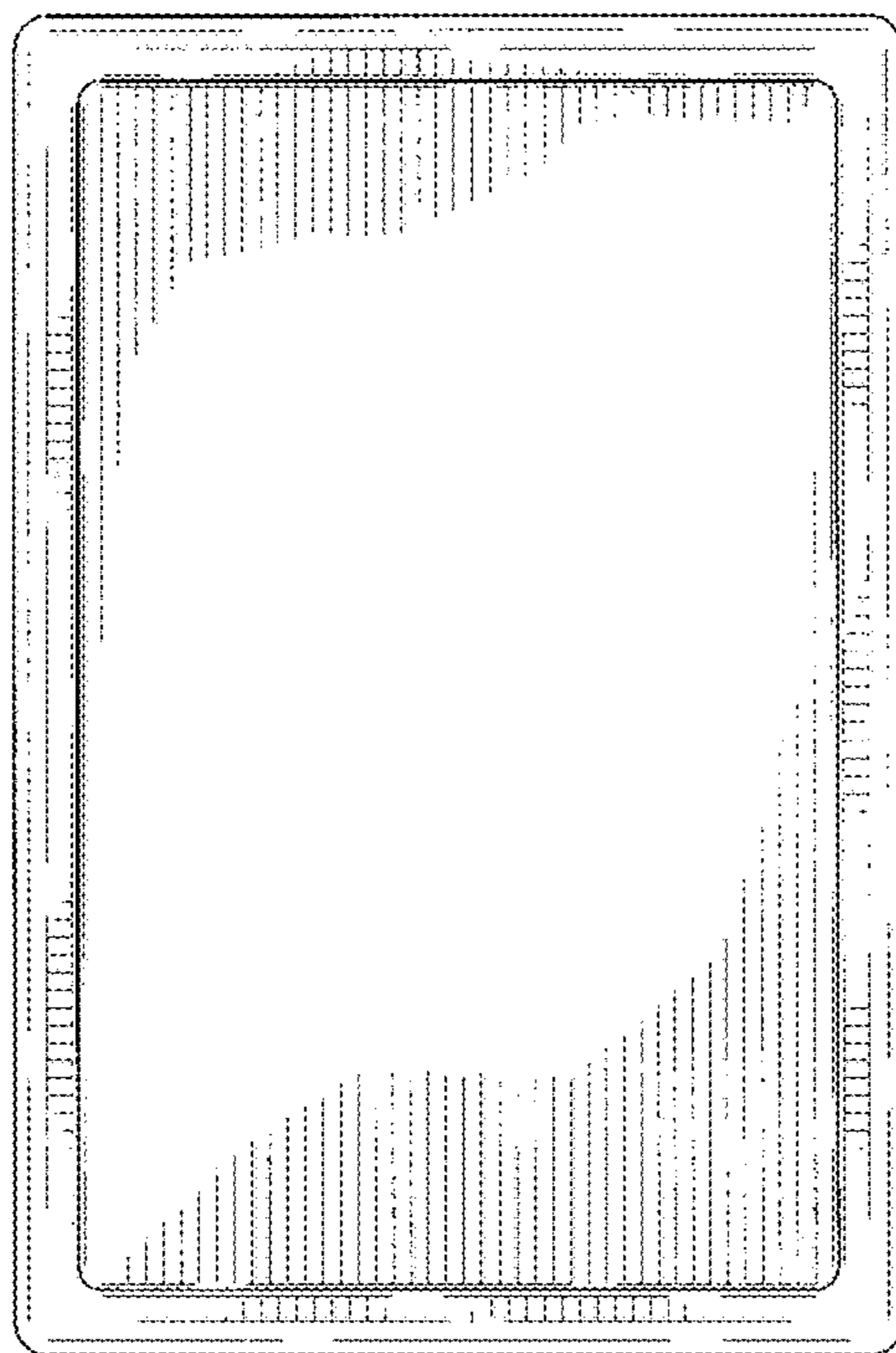


FIG. 4

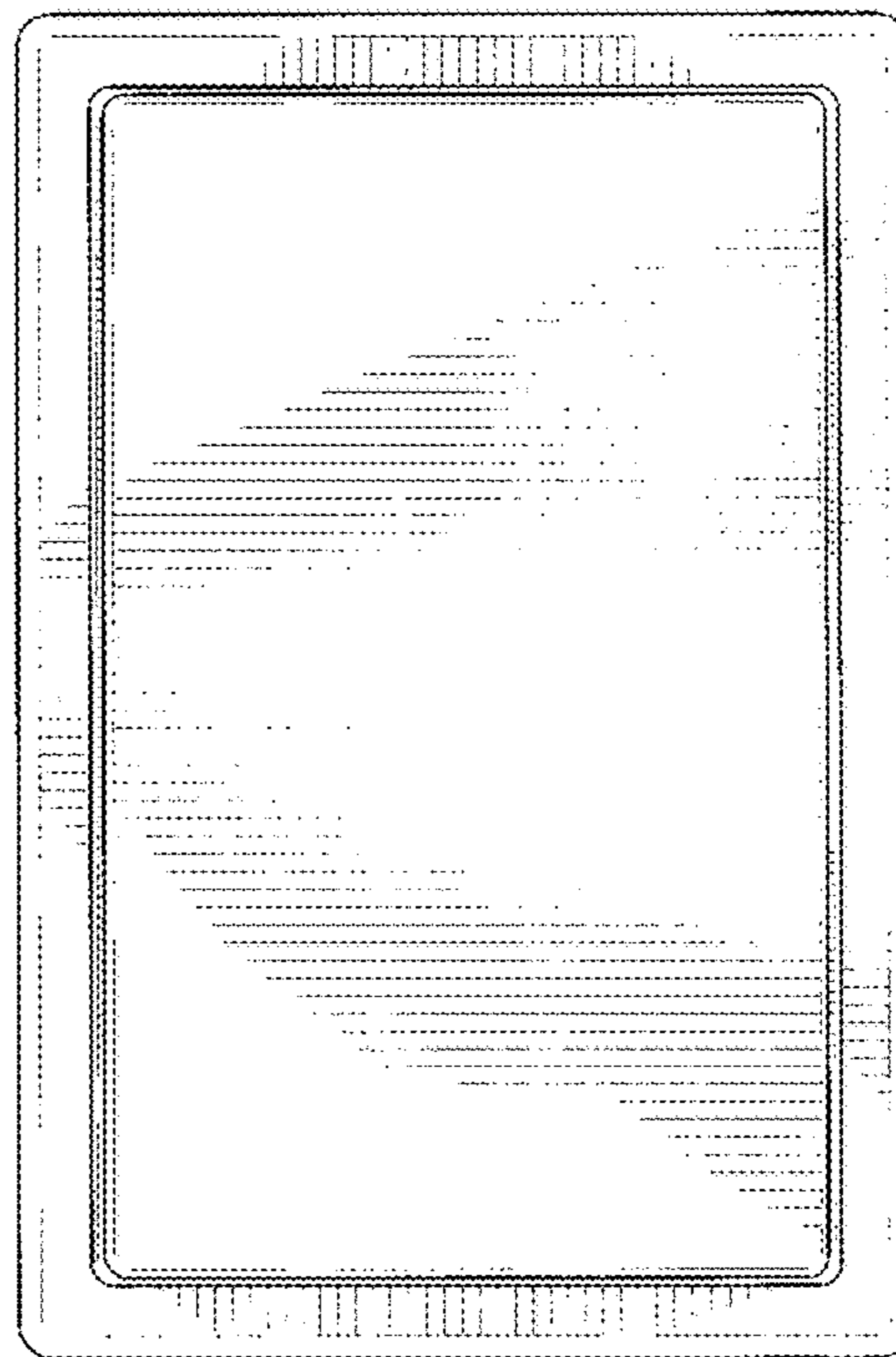


FIG. 5

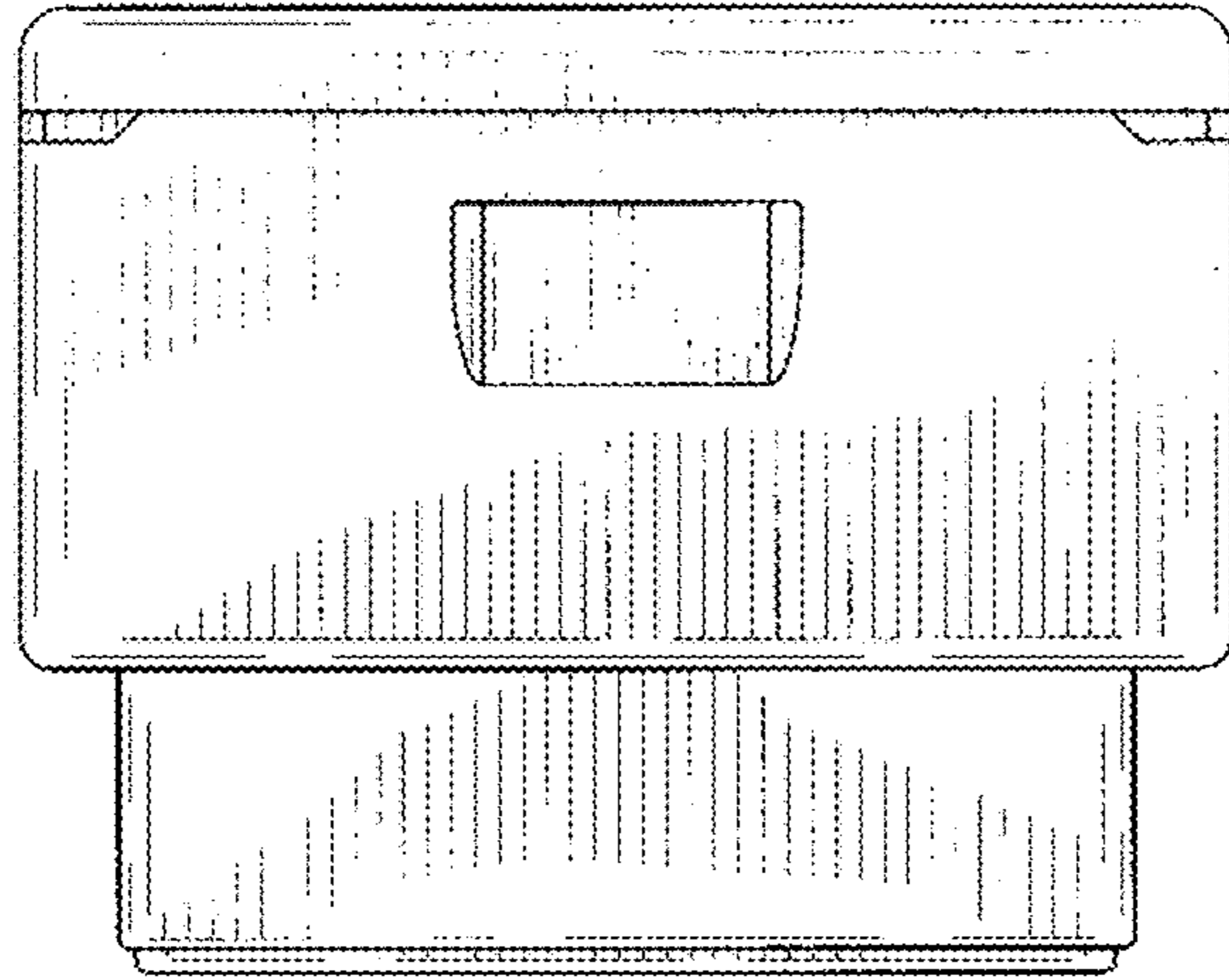


FIG. 6

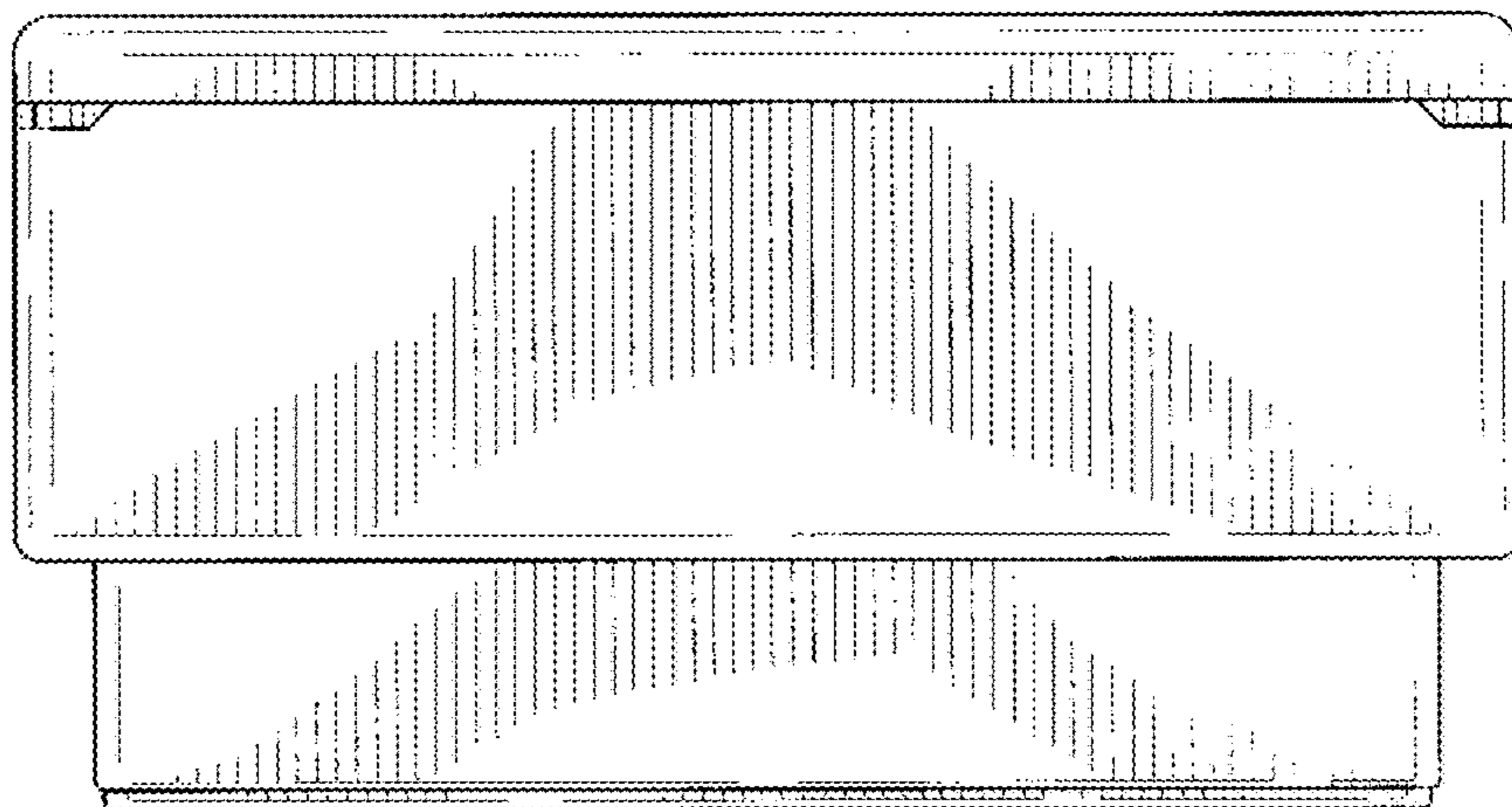


FIG. 7